

Milwaukee®

Nothing but **HEAVY DUTY**®



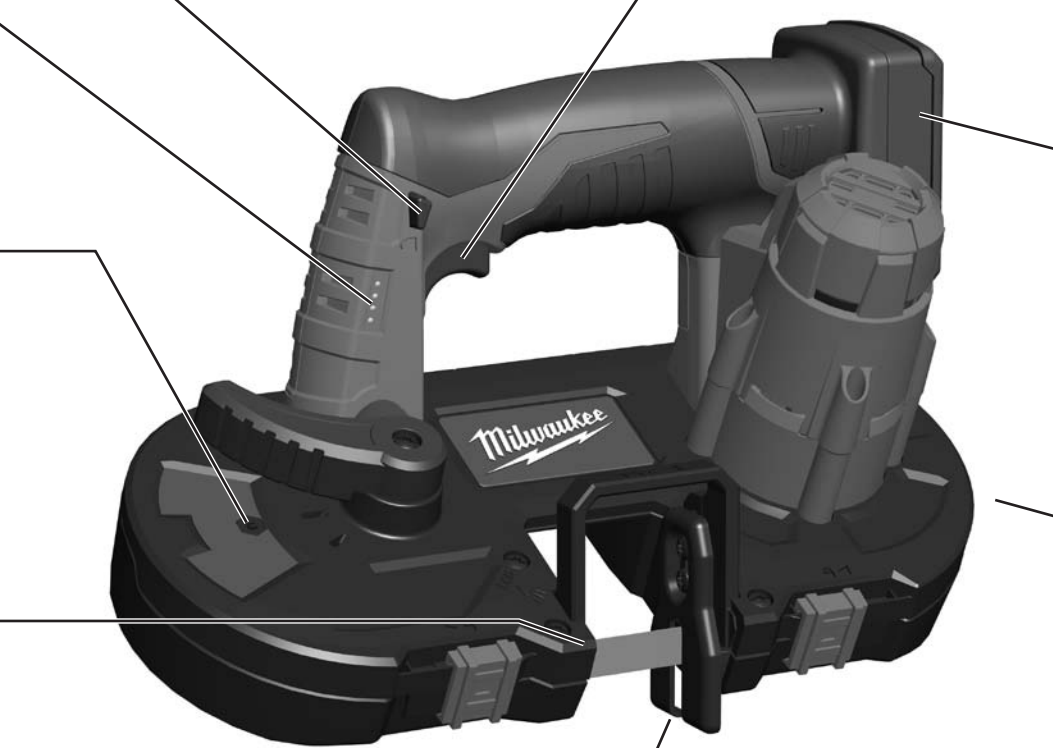
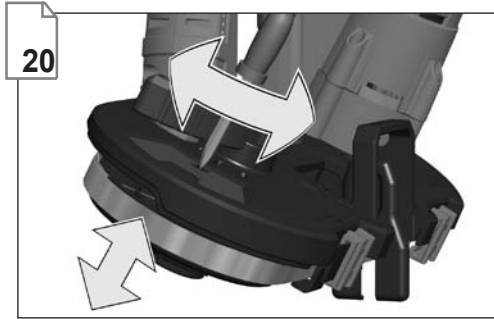
M12 BS

Original instructions
Originalbetriebsanleitung
Notice originale
Istruzioni originali
Manual original
Oorspronkelijke
gebruiksaanwijzing
Original brugsanvisning
Original bruksanvisning
Bruksanvisning i original
Alkuperäiset ohjeet

Πρωτότυπο οδηγίων χρήσης
Orijinal işletme talimatı
Původním návodem k používání
Pôvodný návod na použitie
Instrukcją oryginalną
Eredeti használati utasítás
Izvirna navodila
Originalne pogonske upute
Instrukcijām oriģinālvalodā
Originali instrukcija

Algupärane kasutusjuhend
Оригинальное руководство по
эксплуатации
Оригинално ръководство за
експлоатация
Instrucțiuni de folosire originale
Оригинален прирачник за
работа
原始的指南

Technical Data, safety instructions, Specified Conditions of Use, EC-Declaration of Conformity, Batteries, Maintenance, Symbols	Please read and save these instructions!	ENGLISH	22
Technische Daten, Sicherheitshinweise, Bestimmungsgemäße Verwendung, CE-Konformitätserklärung, Akkus, Wartung, Symbole	Bitte lesen und aufbewahren!	DEUTSCH	24
Caractéristiques techniques, Instructions de sécurité, Utilisation conforme aux prescriptions, Déclaration CE de Conformité, Accus, Entretien, Symboles	Prière de lire et de conserver!	FRANÇAIS	26
Dati tecnici, Norme di sicurezza, Utilizzo conforme, Dichiarazione di Conformità CE, Batteria, Manutenzione, Simboli	Si prega di leggere le istruzioni e di conservarle!	ITALIANO	28
Datos técnicos, Instrucciones de seguridad, Aplicación de acuerdo a la finalidad, Declaración de Conformidad CE, Batería, Mantenimiento, Símbolos	Lea y conserve estas instrucciones por favor!	ESPAÑOL	30
Características técnicas, Instruções de segurança, Utilização autorizada, Declaração de Conformidade CE, Acumulador, Manutenção, Símbolo	Por favor leia e conserve em seu poder!	PORTUGUES	32
Technische gegevens, Veiligheidsadviezen, Voorgeschreven gebruik van het systeem, EC-Konformiteitsverklaring, Akku, Onderhoud, Symbolen	Lees en let goed op deze adviezen!	NEDERLANDS	34
Tekniske data, Sikkerhedshenvisninger, Tiltænkt formål, CE-Konformitetserklæring, Batteri, Vedligeholdelse, Symboler	Vær venlig at læse og opbevare!	DANSK	36
Tekniske data, Spesielle sikkerhetshenvisninger, Formålmessig bruk, CE-Samsvarserklæring, Batterier, Vedlikehold, Symboler	Vennligst les og oppbevar!	NORSK	38
Tekniska data, Säkerhetsutrustning, Använd maskinen Enligt anvisningarna, CE-Försäkran, Batterier, Skötsel, Symboler	Var god läs och tag tillvara dessa instruktioner!	SVENSKA	40
Tekniset arvot, Turvallisuusohjeet, Tarkoituksenmukainen käyttö, Todistus CE-standardinmukaisuudesta, Akku, Huolto, Symbolit	Lue ja säilytä!	SUOMI	42
Τεχνικά στοιχεία, Ειδικά υποδείξεις ασφαλείας, Χρήση σύμφωνα με το σκοπό προορισμού, Δήλωση πιστοποίησης εκ, Μπαταρίες, Συντήρηση, Σύμβολα	Παρακαλώ διαβάστε τις και φυλάξτε τις!	ΕΛΛΗΝΙΚΑ	44
Teknik veriler, Güvenliğiniz için talimatlar, Kullanım, CE uygunluk beyanice, Akü, Bakım, Semboller	Lütfen okuyun ve saklayın	TÜRKÇE	46
Technická data, Speciální bezpečnostní upozornění, Oblast využití, Ce-prohlášení o shodě, Akumulátory, Údržba, Symboly	Po přečtení uschovejte	ČESKY	48
Technické údaje, Špeciálne bezpečnostné pokyny, Použitie podľa predpisov, CE-Vyhĺasenie konformity, Akumulátory, Údržba, Symboly	Prosím prečítať a uschovať!	SLOVENSKY	50
Dane techniczne, Specjalne zalecenia dotyczace bezpieczerstwa, Uzytkowanie zgodne z przeznaczeniem, Swiadectwo zgodnosci ce, Baterie akumulatorowe, Gwarancja, Symboly	Prosimy o uwazne przeczytanie i przestrzeganie zaleceń zamie szczonych w tej instrukcji.	POLSKI	52
Műszaki adatok, Különleges biztonsági tudnivalók, Rendeltetésszerű használat, Ce-azonossági nyilatkozat, Akkuk, Karbantartás, Szimbólumok	Olvassa el és őrizze meg	MAGYAR	54
Tehnični podatki, Specialni varnostni napotki, Uporaba v skladu z namembnostjo, Ce-izjava o konformnosti, Akumulatorji, Vzdrževanje, Simboli	Prosimo preberite in shranite!	SLOVENSKO	56
Tehnički podaci, Specijalne sigurnosne upute, Propisna upotreba, CE-Izjava konformnosti, Baterije, Održavanje, Simboli	Molimo pročitati i sačuvati	HRVATSKI	58
Tehniske dati, Speciālie drošības noteikumi, Noteikumiem atbilstošs izmantojums, Atbilstība CE normām, Akumulātori, Apkope, Simboli	Pielikums lietošanas pamācībai	LATVISKI	60
Techniniai duomenys, Ypatingos saugumo nuorodos, Naudojimas pagal paskirtį, CE Atitikties pareiškimas, Akumuliatoriai, Techninis aptarnavimas, Simboliai	Prašome perskaityti ir neišmesti!	LIETUVIŠKAI	62
Tehnilised andmed, Spetsiaalsed turvajuhised, Kasutamine vastavalt ostarbele, EU Vastavusavaldus, Akud, Hooldus, Sümbolid	Palun lugege läbi ja hoidke alal!	EESTI	64
Технические данные, Рекомендации по технике безопасности, Использование, Аккумулятор, Обслуживание, Символы	Пожалуйста, прочтите и сохраните настоящую инструкцию	РУССКИЙ	66
Технически данни, Специални указания за безопасност, Използване по предназначение, CE-Декларация за съответствие, Аккумулятори, Поддръжка, Символи	Моля прочетете и запазете!	БЪЛГАРСКИ	68
Date tehnice, Instrucțiuni de securitate, Condiții de utilizare specificate, Declarație de conformitate, Alimentare de la rețea, Intreținere, Simboluri	Va rugăm citiți și păstrați aceste instrucțiuni	ROMÂNIA	70
Технички Податоци, Упатство За Употреба, Специфицирани Услови На Употреба, Еу-декларација За Сообразност, Батерии, Одржување, Символи	Ве молиме прочитајте го и чувајте го ова упатство!	МАКЕДОНСКИ	72
技术数据, 特殊安全指示, 正确地使用机器, 欧洲安全规定说明, 蓄电池, 维修, 符号	请仔细阅读并妥善保存!	中文	74



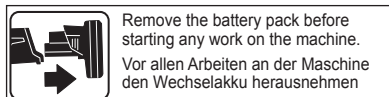
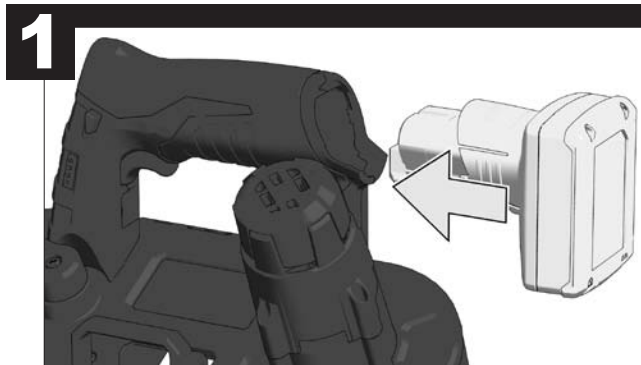
Remove the battery pack before starting any work on the machine.
 Vor allen Arbeiten an der Maschine den Wechselakku herausnehmen.
 Avant tous travaux sur la machine retirer l'accu interchangeable.
 Prima di iniziare togliere la batteria dalla macchina.

Retire la batería antes de comenzar cualquier trabajo en la máquina.
 Antes de efectuar cualquier intervención en la máquina retirar el bloque acumulador.

Voor alle werkzaamheden aan de machine de akku verwijderen.
 Ved arbejde inden i maskinen, bør batteriet tages ud.
 Ta ut vekselbatteriet før du arbeider på maskinen.
 Drag ur batteripaket innan arbete utföres på maskinen.
 Ota akku pois ennen kaikkia koneeseen tehtäviä toimenpiteitä.
 Πριν από κάθε εργασία στη μηχανή αφαιρείτε την αναλλακτική μπαταρία.
 Aletin kandinde bir çalıřma yapmadan önce kartuş aküyü çıkarın.

Před zahájením veřkerých prací na vrtacím šroubovákú vyjmout výměnný akumulátor.
 Pred každou prací na stroji výměnný akumulátor vytiahnuť.
 Przed przystąpieniem do jakichkolwiek prac na elektronarzędziu należą wkładkę akumulatową.
 Karbantartás, javítás, tisztítás, stb. előtt az akkumulátortól kell venni a készülékből.
 Prije svih radova na stroju izvaditi bateriju za zamjenu.
 Pirms mařinai veikt jebkāda veida apkopes darbus, ir jāizņem ārā akumulātors.

Prieš atlikdami bet kokius darbus įrenginyje, išimkite keičiamą akumuliatorių.
 Enne kõiki töid masina kallal võtke vahetatav aku välja.
 Выньте аккумулятор из машины перед проведением с ней каких-либо манипуляций.
 Преди започване на каквото е да е работи по машината извадете акумулатора.
 Scoateți acumulatorul înainte de a începe orice intervenție pe mașină.
 Izvadete го батерискиот склоп пред отпочнување на каков и да е зафат врз машината.
 在机器上进行任何维护工作之前，先拿出蓄电池。



Remove the battery pack before starting any work on the machine.
Vor allen Arbeiten an der Maschine den Wechselakku herausnehmen

Avant tous travaux sur la machine retirer l'accu interchangeable.

Prima di iniziare togliere la batteria dalla macchina.
Retire la batería antes de comenzar cualquier trabajo en la máquina.

Antes de efectuar cualquier intervención na máquina retirar o bloco acumulador.

Voor alle werkzaamheden aan de machine de akku verwijderen.

Ved arbejde inden i maskinen, bør batteriet tages ud.

Ta ut vekslebatteriet før du arbeider på maskinen
Drag ur batteripaket innan arbete utföres på maskinen.

Ota akku pois ennen kaikkia koneeseen tehtäviä toimenpiteitä.

Πριν από κάθε εργασία στη μηχανή αφαιρείτε την ανταλλακτική μπαταρία.

Aletin kendinge bir çalışma yapmadan önce kartuşu çıkartın.

Před zahájením veškerých prací na vrtacím šroubováku vyjmout výměnný akumulátor.

Pred každou prácou na stroji výmenný akumulátor vyťahnuť.

Przed przystąpieniem do jakichkolwiek prac na elektronarzędziu należy wyjąć wkładkę akumulatorową.

Karbantartás, javítás, tisztítás, stb. előtt az akkumulátort ki kell venni a készülékből.

Pred deli na stroju izvlecite izmenljivi akumulátor.

Prije svih radova na stroju izvaditi bateriju za zamjenu.

Pirms mašīnai veikt jebkāda veida apkopes darbus, ir jāizņem ārā akumulātors.

Prieš atlikdami bet kokius darbus įrenginyje, išimkite keičiamą akumuliatorių.

Enne kõiki töid masina kallal võtke vahetatav aku välja.

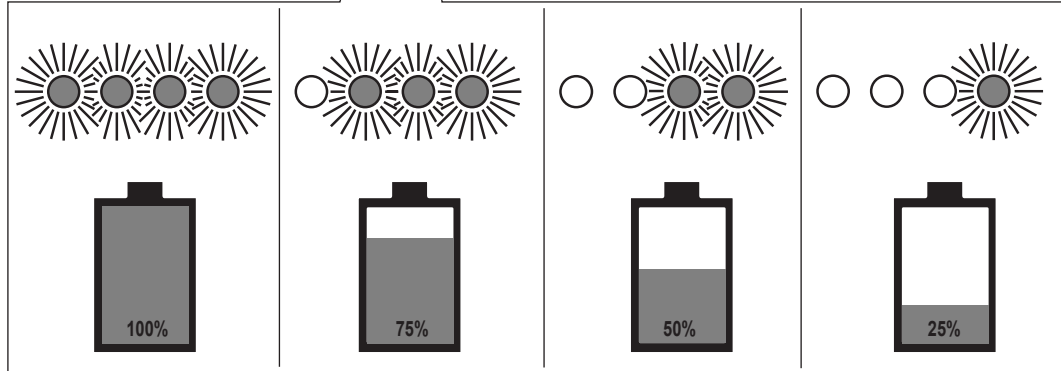
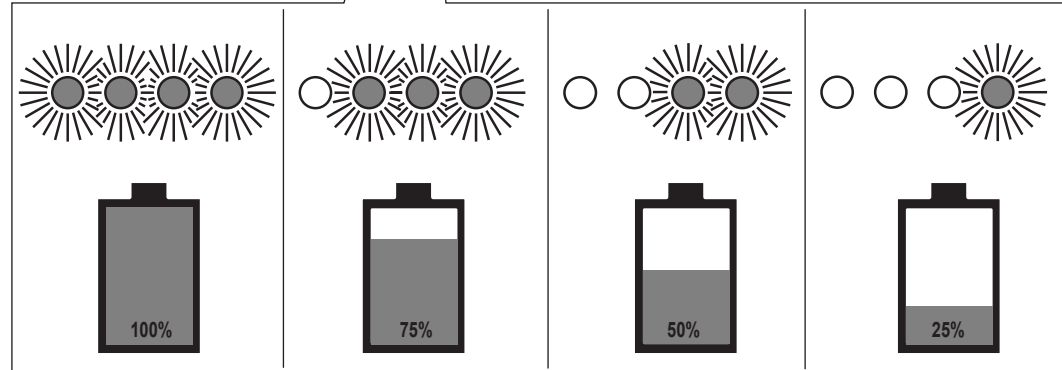
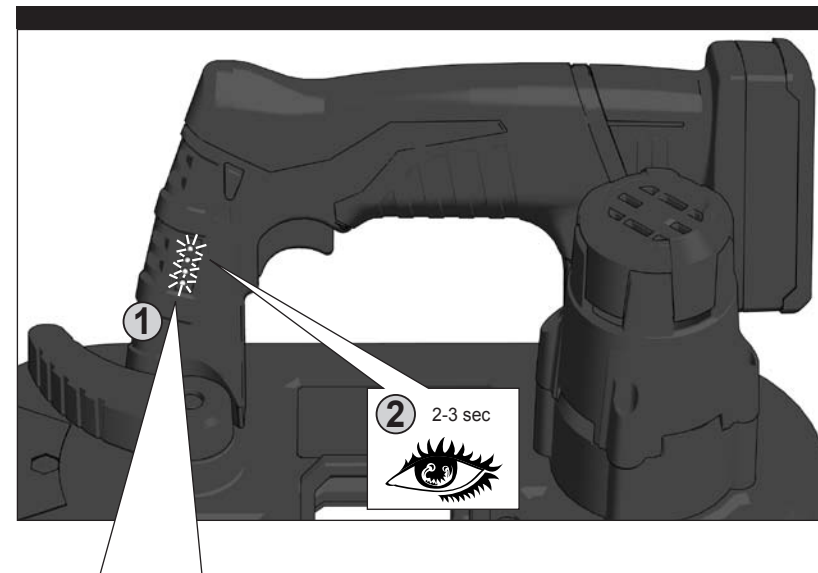
Выньте аккумулятор из машины перед проведением с ней каких-либо манипуляций.

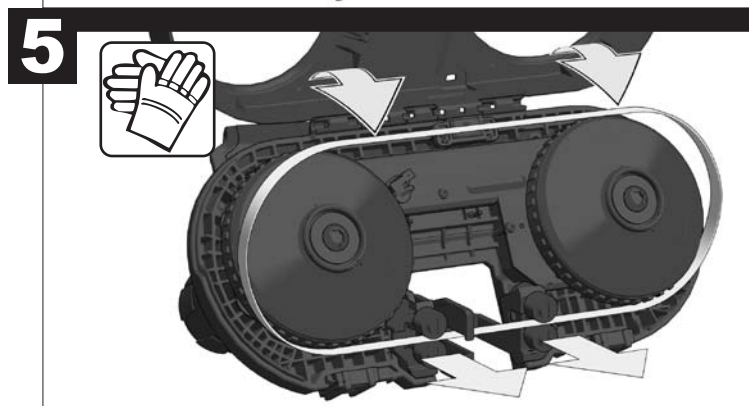
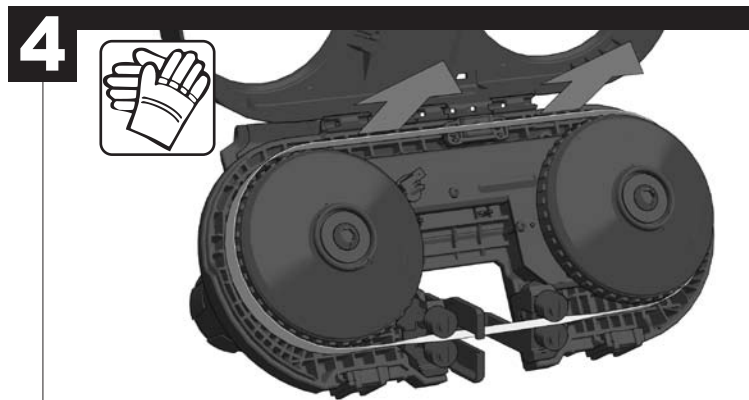
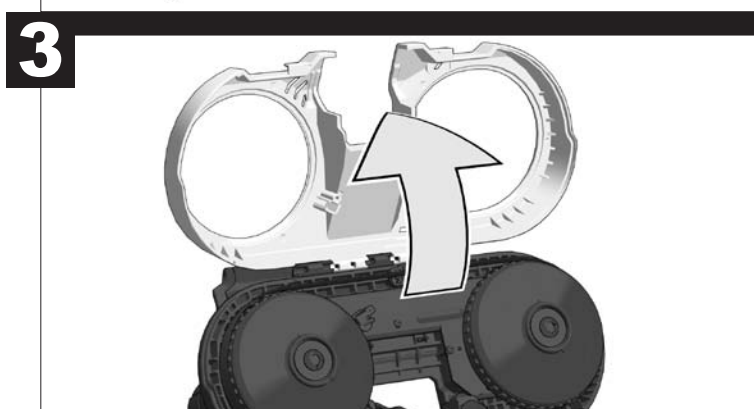
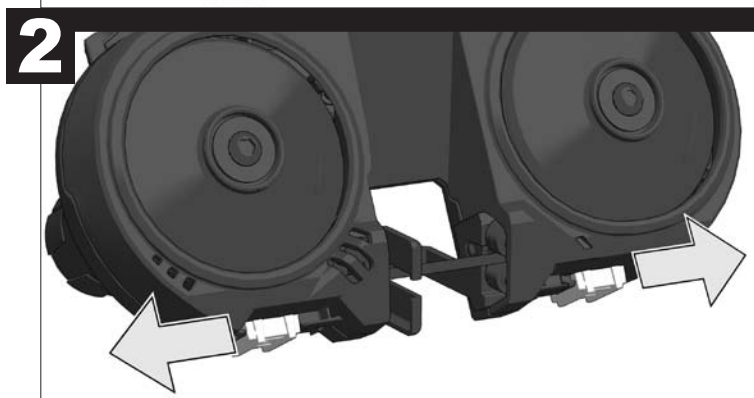
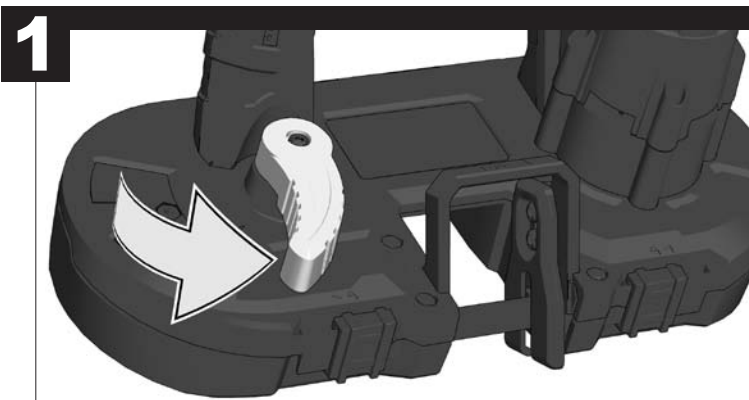
Преди започване на каквито е да е работи по машината извадете акумулатора.

Scoateți acumulatorul înainte de a începe orice intervenție pe mașină.

Извадете го батерискиот склоп пред отпочнување на какво и да е зафат врз машината.

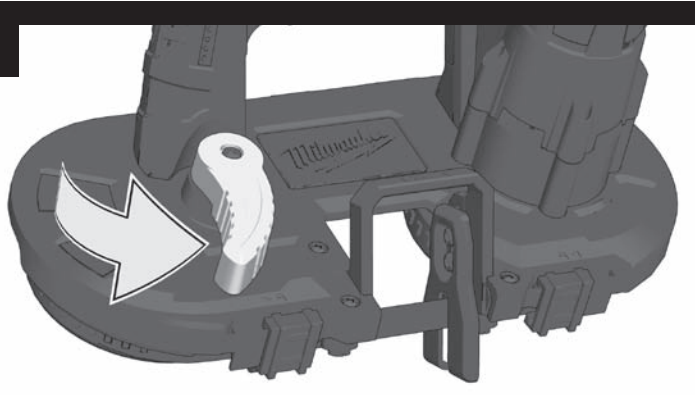
在机器上进行任何维护工作之前，先拿出蓄电池。



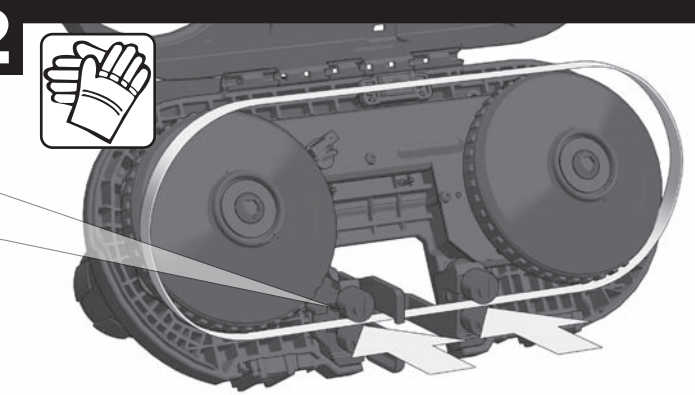
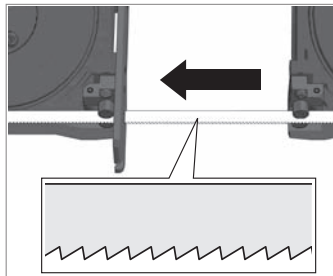




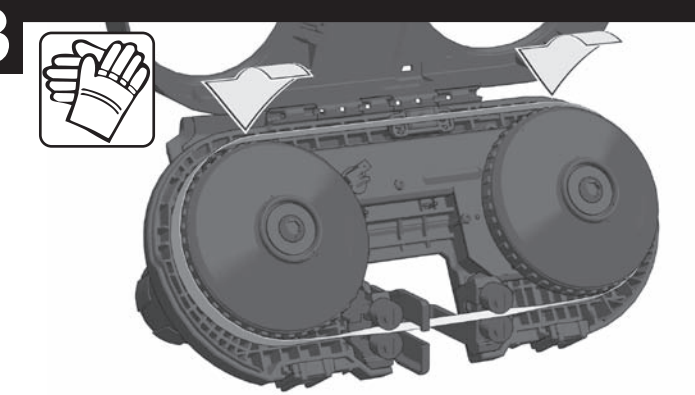
1



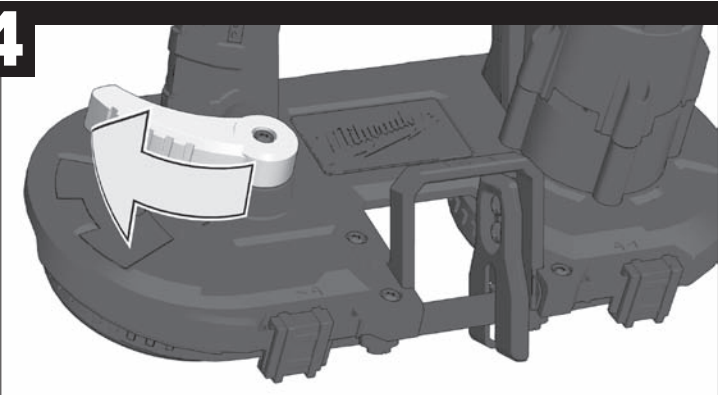
2



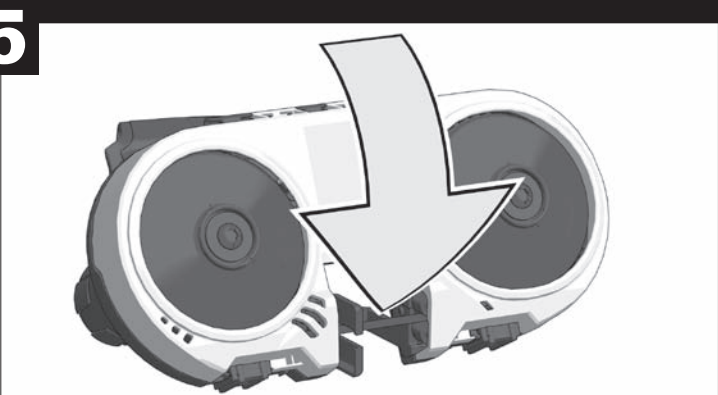
3



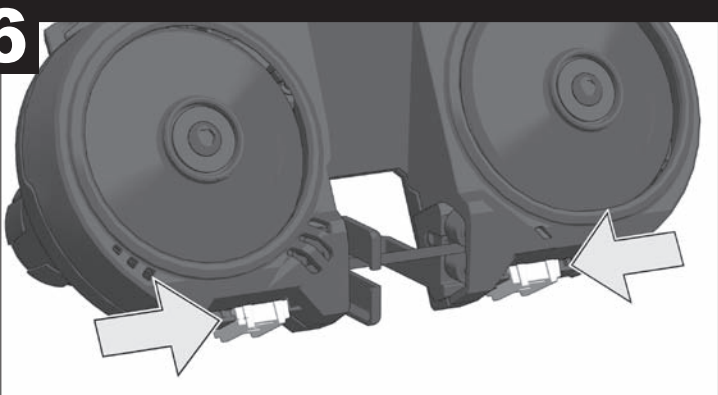
4

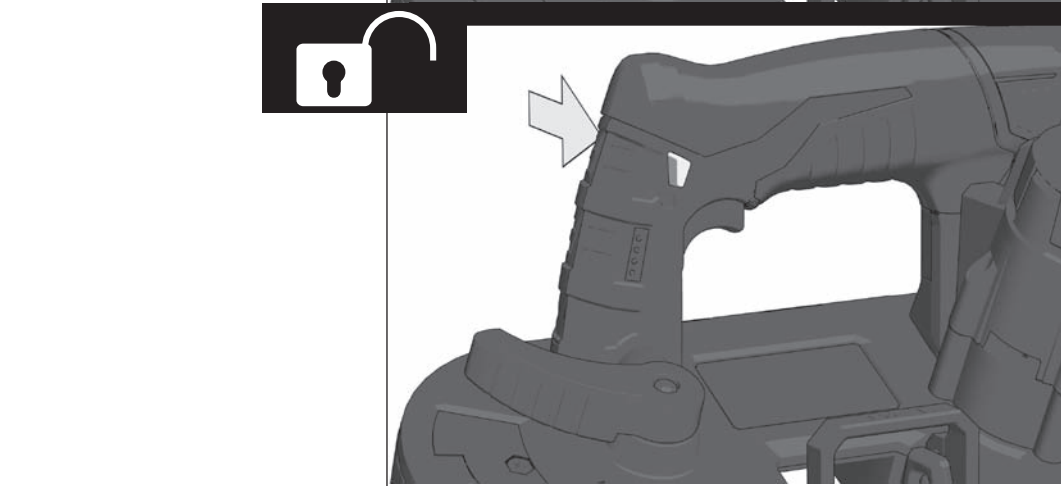
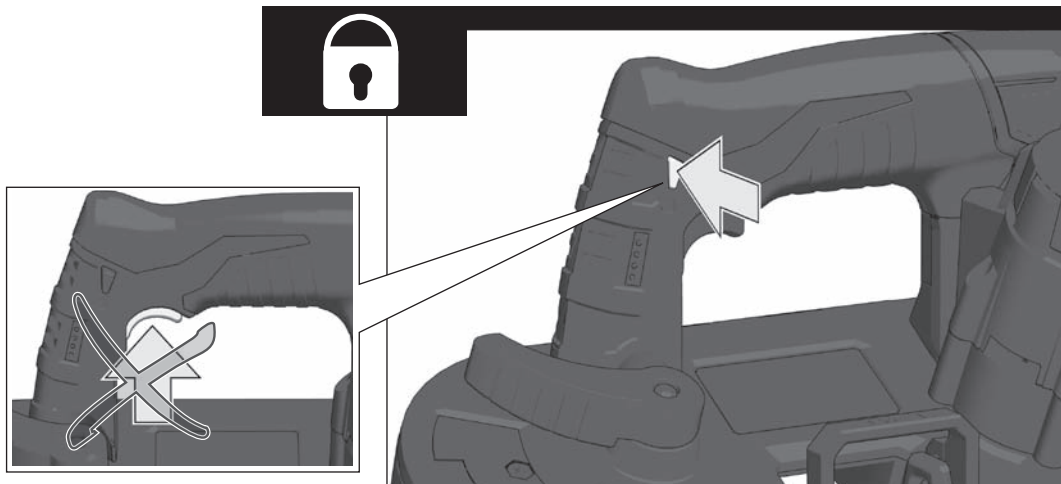


5

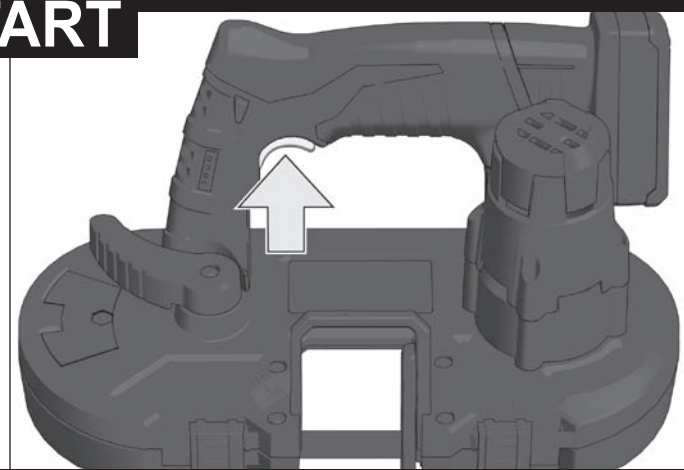


6

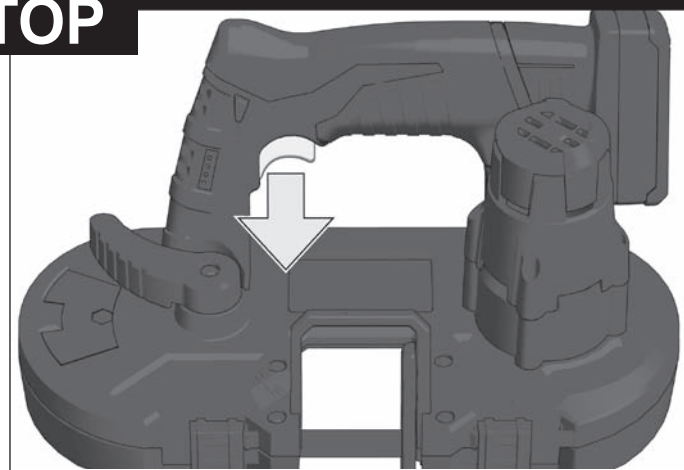


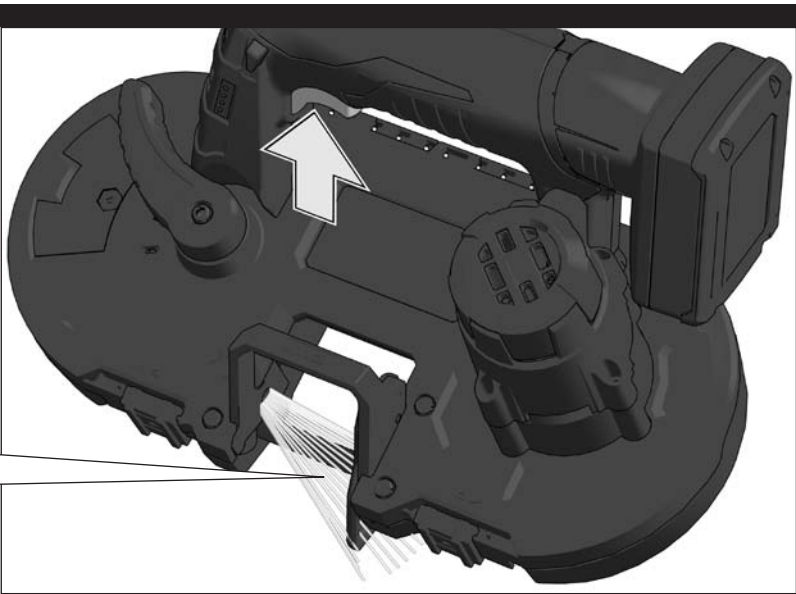
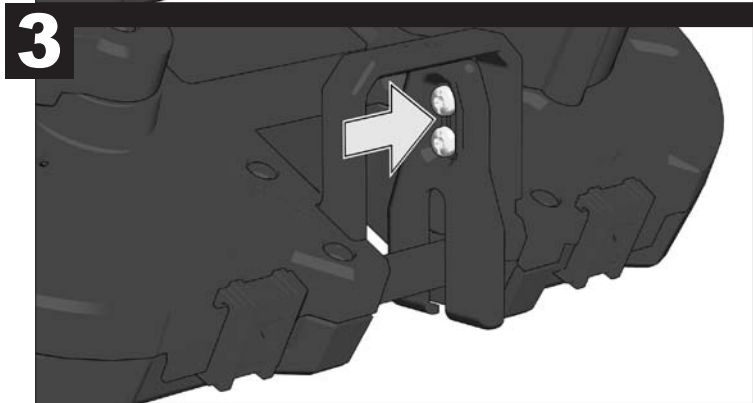
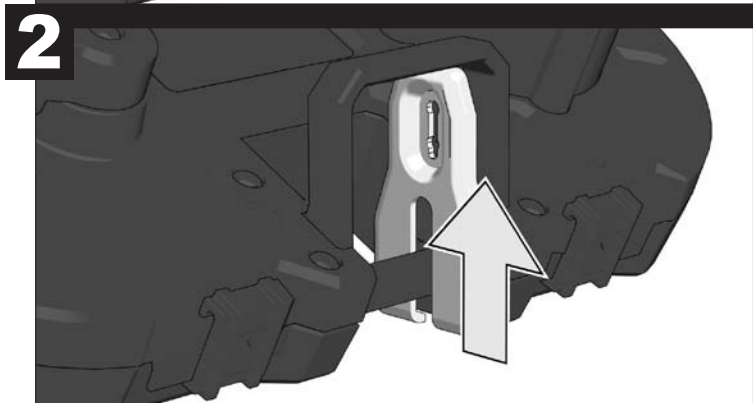
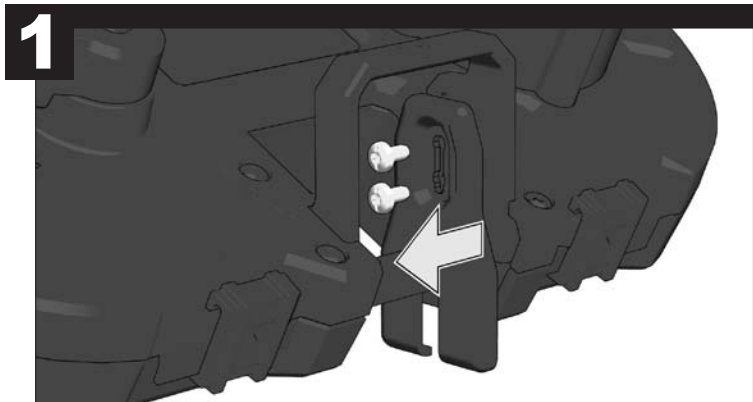
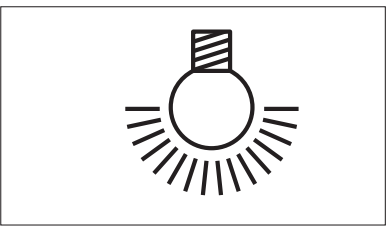


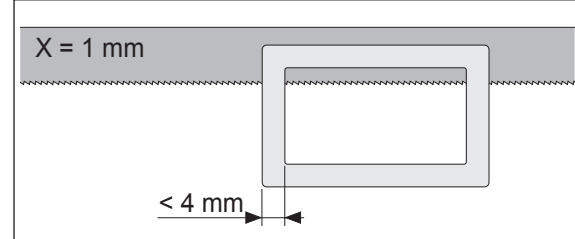
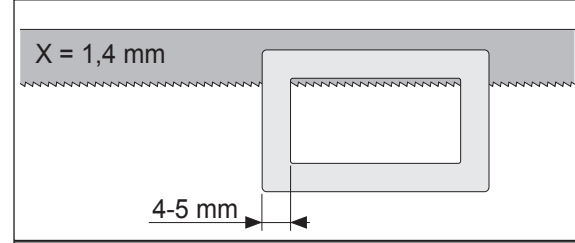
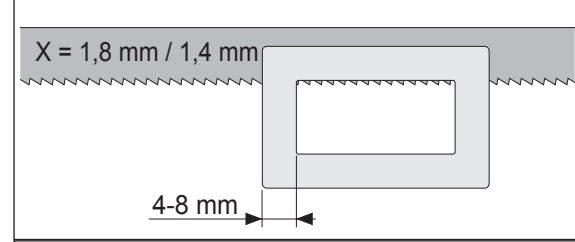
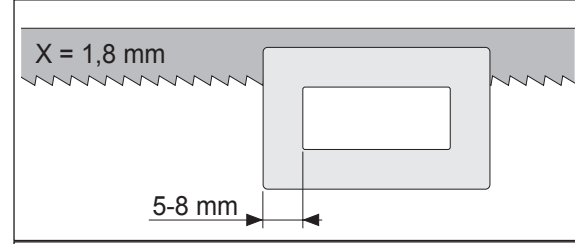
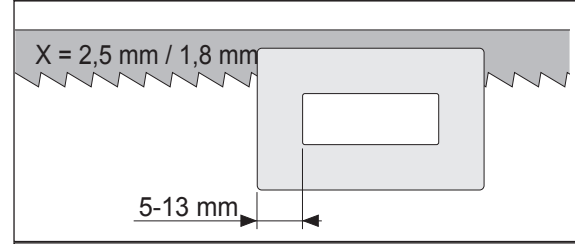
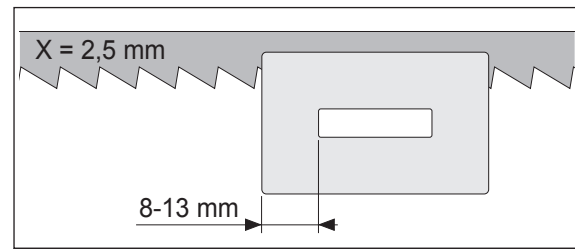
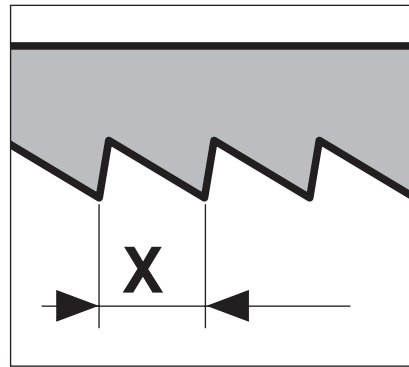
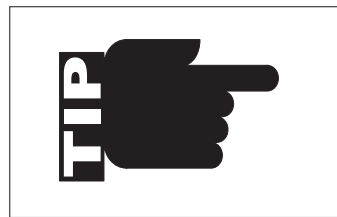
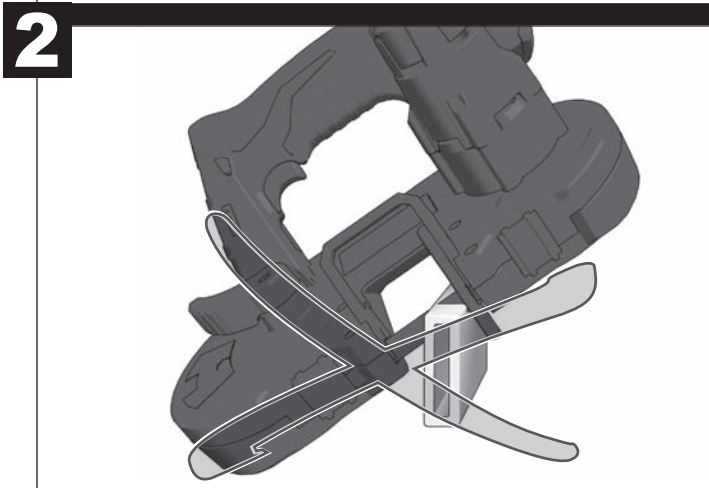
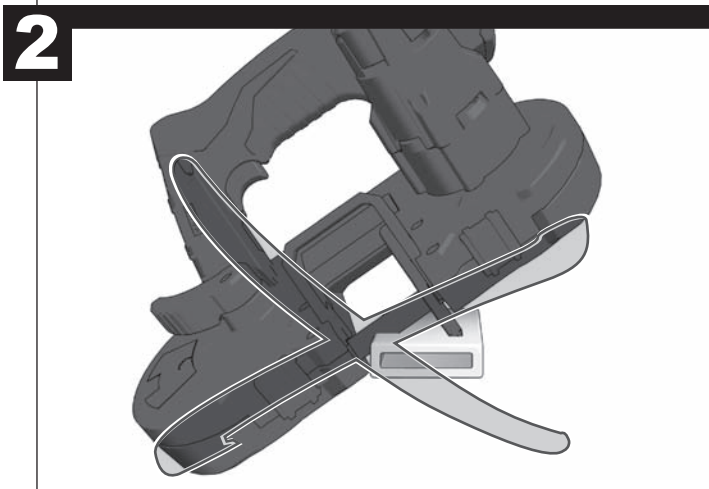
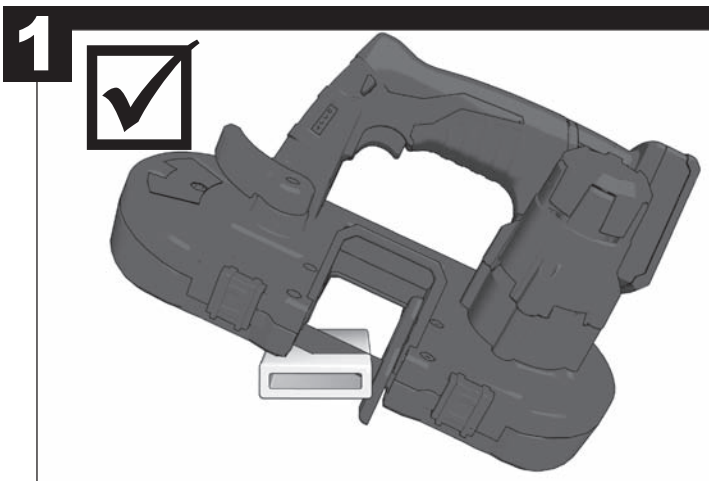
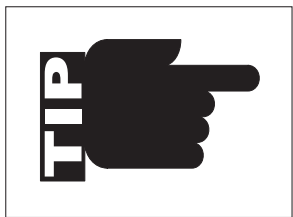
START

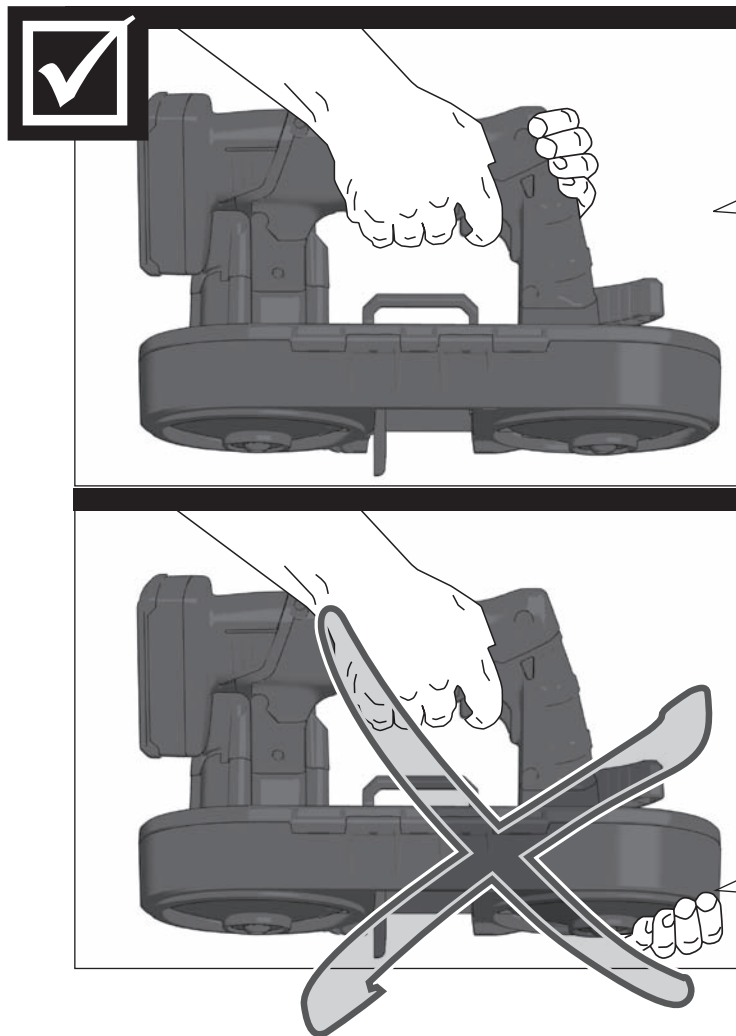


STOP







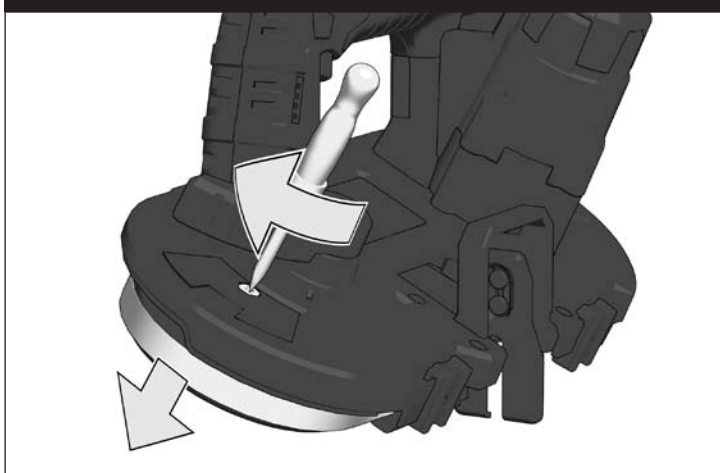
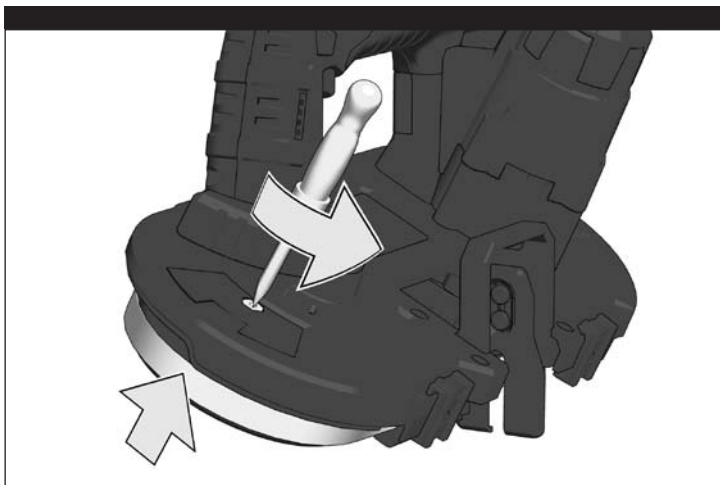
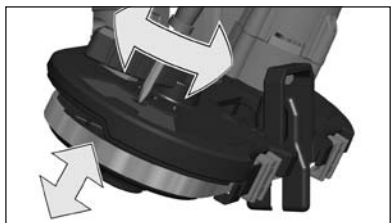


Hold the tool firmly with both hands.
Halten Sie die Maschine mit beiden Händen fest.
Maintenez la machine fermement avec les deux mains.
Tenete l'attrezzo con due mani.
Sujete la máquina con ambas manos.
Segure a máquina com as duas mãos.
Houd de machine met beide handen vast.
Hold fast i maskinen med begge hænder.
Hold maskinen fast med begge hendene.
Håll i maskinen med båda händer.
Pidä koneesta kiinni molemmiin käsiin.
Κρατάτε το εργαλείο σταθερά και με τα δύο χέρια.
Her iki elinizle makineyi sıkıca tutunuz.
Držte nástroj pevně oběma rukama.

Držte nástroj pevne obomi rukami.
Trzymać mocno maszynę obydwoma rękami.
Tartsa meg erősen mindkét kézzel a gépet.
Stroj držite močno z obema rokama.
Držite stroj čvrsto sa obim rukama.
Turiet instrumentu stingri ar abām rokām.
Tvirtai laikykite įrankį abiem rankomis.
Hoida tööriista tugevalt mõlema käega
Крепко держите машину обеими руками.
Дръжте машината здраво с двете ръце.
Џинеђи mašina strāns cu ambele mâini.
Држете ја машината цврсто со двете раце.
应用双手握住机器。

Do not place hand(s) on or around the guard / blade whilst tool has a battery pack connected
Fassen Sie nicht an die Schutzhaube oder das Sägeblatt, wenn der Weckselakku in die Maschine eingesteckt ist.
Ne saisissez pas le capot de protection ou la lame de scie lorsque l'accumulable est inséré dans la machine.
Non toccate il cofano di protezione o il nastro della sega se è inserito l'accumulatore intercambiabile.
No toque la caperuza de protección o la hoja de sierra, si la batería recargable está insertada en la máquina.
Não toque na cobertura de protecção ou na folha de serra quando o acumulador estiver inserido na máquina.
Pak de machine niet vast aan de beschermkap of het zaagblad als de wisselakku van de machine is geplaatst.
Tag ikke fat i beskyttelseskappen eller savklingen, når akku-batteriet er sat i maskinen.
Ikke ta på vernehetten eller sagesbladet når batteripakken er koblet til maskinen.
Ta inte i skyddsskåpan eller sågbladet om det laddningsbara batteriet är isatt i maskinen.
Älä koske suojakupuun tai sahanterään, kun vaihtoakku on koneessa.
Μην πιάνετε τον προφυλακτήρα ή την προιονόλαμα, όταν η ανταλλακτική μπαταρία είναι τοποθετημένη στο εργαλείο.
Değişken akü makineye sokulu iken koruma başlığına veya testereyi tutmayınız.

Nesahejte na ochranný kryt ani na list pily, pokud je do nástroje nasazen výměnný akumulátor.
Nesiahajte na ochranný kryt ani na list pily, keď je do stroja zastrčený výmenný akumulátor.
Nie należy chwycić za osłonę lub brzoźszcot pily, gdy do maszyny włożony jest akumulator wymienny.
Ne fogjon rá a védőburkolatra és ne érjen a fűrészlaphoz, ha a csereakku be van helyezve a gépbe.
Ne prijemajte zaščitne avbe ali žaginega lista, kadar je izmenljiv akumulator vtaknjen v stroj.
Nemojte hvatati za zaštitnu haubu ili za list pile kada je baterija utaknuta u stroj.
Nenovietojiet rokas uz vai ap drošības pārklājuma/asmeņa, kamēr iekārts barošanas bloks ir ieslēgts.
Nedēkite rankos (-) ant ar prie apsaugų / ašmenų, kai prie įrankio prijungtas baterijų komplektas.
Mitte puudutada piirajat ega tera, kui aku on tööriistaga ühendatud
Не касайтесь защитного колпака или пильного полотна, если сменный аккумулятор вставлен в машину.
Не хващайте с ръце предпазния капак или листа на триона, когато сменящата се батерия е поставена в машината.
Nu atingeți capota de protecție sau pânza de ferăstrău atunci când acumulatorul este introdus în mașină.
Не допирajte до заштитната покривка или дискот за сечење, кога батеријата за менување е вметната во машината.
蓄電池被插入机器时, 务必不触碰锯片防护罩。



TECHNICAL DATA**M12 BS**

No-load speed	0-85 m/min
Blade size	687,4 x 12,7 x 0,5 mm
Cutting capacity rectangular stock	41,3 x 41,3 mm
Cutting capacity Pipe	ø 41,3 mm
Battery voltage	12 V
Weight according EPTA-Procedure 01/2003 (1,5 Ah Battery)	2,9 kg
Weight according EPTA-Procedure 01/2003 (3.0 Ah Battery)	3,2 kg

Noise/vibration information

Measured values determined according to EN 60 745.

Typically, the A-weighted noise levels of the tool are:

Sound pressure level (K=3 dB(A))	74 dB (A)
Sound power level (K=3 dB(A))	85 dB (A)

Wear ear protectors!

Total vibration values (vector sum in the three axes) determined according to EN 60745.

Sawing of metal

Vibration emission value a _h	< 2,5 dB (A)
Uncertainty K=	1,5 dB (A)

WARNING

The vibration emission level given in this information sheet has been measured in accordance with a standardised test given in EN 60745 and may be used to compare one tool with another. It may be used for a preliminary assessment of exposure.

The declared vibration emission level represents the main applications of the tool. However if the tool is used for different applications, with different accessories or poorly maintained, the vibration emission may differ. This may significantly increase the exposure level over the total working period.

An estimation of the level of exposure to vibration should also take into account the times when the tool is switched off or when it is running but not actually doing the job. This may significantly reduce the exposure level over the total working period.

Identify additional safety measures to protect the operator from the effects of vibration such as: maintain the tool and the accessories, keep the hands warm, organisation of work patterns.

⚠ WARNING! Read all safety warnings and all instructions, including those given in the accompanying brochure. Failure to follow the warnings and instructions may result in electric shock, fire and/or serious injury. **Save all warnings and instructions for future reference.**

SAFETY INSTRUCTIONS

Wear ear protectors. Exposure to noise can cause hearing loss.

Hold power tool by insulated gripping surfaces, when performing an operation where the cutting accessory may contact hidden wiring. Cutting accessory contacting a live" wire may make exposed metal parts of the power tool live" and shock the operator.

Always wear goggles when using the machine. It is recommended to wear gloves, sturdy non slipping shoes and apron.

Sawdust and splinters must not be removed while the machine is running.

Do not use cracked or distorted saw blades.

Always place the guide shoe on the workpiece when sawing.

Do not start the blade when in contact with workpiece. Wait for blade to reach full speed before beginning cut.

When blade is binding, or when interrupting a cut for any reason, release the trigger and hold the cutter motionless in the material until the blade comes to a complete stop. Never restart the machine when the blade in contact with workpiece.

Do not dispose of used battery packs in the household refuse or by burning them. Milwaukee Distributors offer to retrieve old batteries to protect our environment.

Do not store the battery pack together with metal objects (short circuit risk).

No metal parts must be allowed to enter the battery section of the charger (short circuit risk).

Use only C 18 chargers for charging C 18 battery packs. Do not use battery packs from other systems.

Never break open battery packs and chargers and store only in dry rooms. Keep dry at all times.

Battery acid may leak from damaged batteries under extreme load or extreme temperatures. In case of contact with battery

acid wash it off immediately with soap and water. In case of eye contact rinse thoroughly for at least 10 minutes and immediately seek medical attention.

SPECIFIED CONDITIONS OF USE

The Band Saw cuts lengthways and mitre accurately in different type of metals such as metal profiles (UniStrut), pipes, metal studs, channels, aluminium profiles, metal sheets.

Do not use this product in any other way as stated for normal use.

EC-DECLARATION OF CONFORMITY

We declare under our sole responsibility that this product is in conformity with the following standards or standardized documents.

EN 60745-1:2009 + A11:2010

EN 60745-2-20:2009

EN 55014-1:2006 + A1:2009 + A2:2011

EN 55014-2:1997 + A1:2001 + A2:2008

in accordance with the regulations

2011/65/EU (RoHS)

2006/42/EC

2004/108/EC



Winnenden, 2012-10-26

Rainer Kumpf
Manager Product Development

Authorized to compile the technical file

BATTERIES

New battery packs reach full loading capacity after 4 - 5 chargings and dischargings. Battery packs which have not been used for some time should be recharged before use.

Temperatures in excess of 50°C (122°F) reduce the performance of the battery pack. Avoid extended exposure to heat or sunshine (risk of overheating).

The contacts of chargers and battery packs must be kept clean.

BATTERY PACK PROTECTION

In extremely high torque, binding, stalling and short circuit situations that cause high current draw, the tool will vibrate for about 2 seconds and then the tool will turn OFF.

To reset, release the trigger.

Under extreme circumstances, the internal temperatur of the battery could become to high. If this happens, the battery will shut down.

Place the battery on the charger to charge and reset it.

To obtain the longest possible battery life remove the battery pack from the charger once it is fully charged.

For battery pack storage longer than 30 days:

Store the battery pack where the temperature is below 27°C and away from moisture

Store the battery packs in a 30% - 50% charged condition

Every six months of storage, charge the pack as normal.

MAINTENANCE

The ventilation slots of the machine must be kept clear at all times.

Use only Milwaukee accessories and Milwaukee spare parts. Should components need to be replaced which have not been described, please contact one of our Milwaukee service agents (see our list of guarantee/service addresses).

If needed, an exploded view of the tool can be ordered. Please state the Article No. as well as the machine type printed on the label and order the drawing at your local service agents or directly at: Milwaukee Electric Tool, Max-Eyth-Straße 10, D-71364 Winnenden, Germany.

SYMBOLS

Remove the battery pack before starting any work on the machine.



Keep hands away from rotating parts.



Always wear goggles when using the machine.



Wear gloves!



Do not dispose of electric tools together with household waste material! In observance of European Directive 2002/96/EC on waste electrical and electronic equipment and its implementation in accordance with national law, electric tools that have reached the end of their life must be collected separately and returned to an environmentally compatible recycling facility.

TECHNISCHE DATEN

M12 BS

Leerlaufgeschwindigkeit	0-85 m/min
Abmessungen Sägeblatt	687,4 x 12,7 x 0,5 mm
Schneidleistung Rechteckprofil	41,3 x 41,3 mm
Schneidleistung Rohr	∅ 41,3 mm
Spannung Wechselakku	12 V
Gewicht nach EPTA-Prozedur 01/2003 (1,5 Ah Batterie)	2,9 kg
Gewicht nach EPTA-Prozedur 01/2003 (3,0 Ah Batterie)	3,2 kg

Geräusch/Vibrationsinformation

Messwerte ermittelt entsprechend EN 60 745.

Der A-bewertete Geräuschpegel des Gerätes beträgt typischerweise:

Schalldruckpegel (K = 3 dB(A))	74 dB (A)
Schalleistungspegel (K = 3 dB(A))	85 dB (A)

Gehörschutz tragen!

Schwingungsgesamtwerte (Vektorsumme dreier Richtungen) ermittelt entsprechend EN 60745.

Sägen von Metall:

Schwingungsemissionswert a _v	< 2,5 dB (A)
Unsicherheit K =	1,5 dB (A)

WARNUNG

Der in diesen Anweisungen angegebene Schwingungspegel ist entsprechend einem in EN 60745 genormten Messverfahren gemessen worden und kann für den Vergleich von Elektrowerkzeugen miteinander verwendet werden. Er eignet sich auch für eine vorläufige Einschätzung der Schwingungsbelastung.

Der angegebene Schwingungspegel repräsentiert die hauptsächlichen Anwendungen des Elektrowerkzeugs. Wenn allerdings das Elektrowerkzeug für andere Anwendungen, mit abweichenden Einsatzwerkzeugen oder ungenügender Wartung eingesetzt wird, kann der Schwingungspegel abweichen. Dies kann die Schwingungsbelastung über den gesamten Arbeitszeitraum deutlich erhöhen.

Für eine genaue Abschätzung der Schwingungsbelastung sollten auch die Zeiten berücksichtigt werden, in denen das Gerät abgeschaltet ist oder zwar läuft, aber nicht tatsächlich im Einsatz ist. Dies kann die Schwingungsbelastung über den gesamten Arbeitszeitraum deutlich reduzieren.

Lesen Sie zusätzliche Sicherheitsmaßnahmen zum Schutz des Bedieners vor der Wirkung von Schwingungen fest wie zum Beispiel: Wartung von Elektrowerkzeug und Einsatzwerkzeugen, Warmhalten der Hände, Organisation der Arbeitsabläufe.

⚠️ WARNUNG! Lesen Sie alle Sicherheitshinweise und Anweisungen, auch die in der beiliegenden Broschüre. Versäumnisse bei der Einhaltung der Sicherheitshinweise und Anweisungen können elektrischen Schlag, Brand und/oder schwere Verletzungen verursachen.

Bewahren Sie alle Sicherheitshinweise und Anweisungen für die Zukunft auf.

SPEZIELLE SICHERHEITSHINWEISE

Tragen Sie Gehörschutz. Die Einwirkung von Lärm kann Hörverlust bewirken.

Halten Sie das Gerät an den isolierten Griffflächen, wenn Sie Arbeiten ausführen, bei denen das Einsatzwerkzeug verborgene Stromleitungen treffen kann. Der Kontakt des Schneidwerkzeugs mit einer spannungsführenden Leitung kann metallene Geräteteile unter Spannung setzen und zu einem elektrischen Schlag führen.

Beim Arbeiten mit der Maschine stets Schutzbrille tragen. Schutzhandschuhe, festes und rutschsicheres Schuhwerk und Schürze werden empfohlen.

Späne oder Splitter dürfen bei laufender Maschine nicht entfernt werden.

Rissige Sägeblätter oder solche, die ihre Form verändert haben, dürfen nicht verwendet werden!

Führungsbügel beim Sägen immer am Werkstück anlegen.

Maschine nicht einschalten, wenn das Sägeblatt das Material berührt. Maschine erst einschalten und dann in das Material sägen.

Sollte das Sägeblatt klemmen, sofort ausschalten und Maschine nach Stillstand des Sägeblattes aus dem Material ziehen. Niemals Maschine wieder einschalten, wenn das Sägeblatt das Material noch berührt.

Verbrauchte Wechselakkus nicht ins Feuer oder in den Hausmüll werfen. Milwaukee bietet eine umweltgerechte Alt-Wechselakku-Entsorgung an; bitte fragen Sie Ihren Fachhändler.

Wechselakkus nicht zusammen mit Metallgegenständen aufbewahren (Kurzschlussgefahr).

In den Wechselakku-Einschubschacht der Ladegeräte dürfen keine Metallteile gelangen (Kurzschlussgefahr).

Wechselakkus des Systems C 18 nur mit Ladegeräten des Systems C 18 laden. Keine Akkus aus anderen Systemen laden.

Wechselakkus und Ladegeräte nicht öffnen und nur in trockenen Räumen lagern. Vor Nässe schützen.

Unter extremer Belastung oder extremer Temperatur kann aus beschädigten Wechselakkus Batterieflüssigkeit auslaufen. Bei Berührung mit Batterieflüssigkeit sofort mit Wasser und Seife abwaschen. Bei Augenkontakt sofort mindestens 10 Minuten gründlich spülen und unverzüglich einen Arzt aufsuchen.

BESTIMMUNGSGEMÄË VERWENDUNG

Die Bandsäge ist einsetzbar zum Sägen von geradlinigen Schnitten in verschiedenen Arten von Metall wie z.B. Metallprofile (UniStrut), Rohre, Trockenbauständer, Kabelkanäle, Aluminiumprofile, Bleche.

Dieses Gerät darf nur wie angegeben bestimmungsgemäß verwendet werden.

CE-KONFORMITÄTSERLÄRUNG

Wir erklären in alleiniger Verantwortung, dass dieses Produkt mit den folgenden Normen oder normativen Dokumenten übereinstimmt.
EN 60745-1:2009 + A11:2010
EN 60745-2-20:2009
EN 55014-1:2006 + A1:2009 + A2:2011
EN 55014-2:1997 + A1:2001 + A2:2008
gemäß den Bestimmungen der Richtlinien
2011/65/EU (RoHS)
2006/42/EG
2004/108/EG.



Winnenden, 2012-10-26

Rainer Kumpf
Manager Product Development
Bevollmächtigt die technischen Unterlagen zusammenzustellen

AKKUS

Neue Wechselakkus erreichen ihre volle Kapazität nach 4-5 Lade- und Entladezyklen. Längere Zeit nicht benutzte Wechselakkus vor Gebrauch nachladen.

Eine Temperatur über 50°C vermindert die Leistung des Wechselakkus. Längere Erwärmung durch Sonne oder Heizung vermeiden.

Die Anschlusskontakte an Ladegerät und Wechselakku sauber halten.

Für eine möglichst lange Lebensdauer sollten die Akkus nach dem Aufladen aus dem Ladegerät entfernt werden.

Bei Lagerung des Akkus länger als 30 Tage:
Akku bei ca. 27°C und trocken lagern.

Akku bei ca. 30%-50% des Ladezustandes lagern.
Akku alle 6 Monate erneut aufladen.

AKKUÜBERLASTSCHUTZ

Bei Überlastung des Akkus durch sehr hohen Stromverbrauch, z.B. extrem hohe Drehmomente, Verklemmen des Bohrers, plötzlichem Stopp oder Kurzschluss, brummt das Elektrowerkzeug 2 Sekunden lang und schaltet sich selbsttätig ab.

Zum Wiedereinschalten, den Schalterdrücker loslassen und dann wieder einschalten.

Unter extremen Belastungen kann sich der Akku stark erhitzen. In diesem Fall schaltet der Akku ab.

Den Akku dann in das Ladegerät stecken um ihn wieder aufzuladen und zu aktivieren.

WARTUNG

Stets die Lüftungsschlitze der Maschine sauber halten.

Nur Milwaukee Zubehör und Milwaukee Ersatzteile verwenden. Bauteile, deren Austausch nicht beschrieben wurde, bei einer Milwaukee Kundendienststelle auswechseln lassen (Broschüre Garantie/Kundendienstadressen beachten).

Bei Bedarf kann eine Explosionszeichnung des Gerätes unter Angabe der Maschinen Type und der zehnstelligen Nummer auf dem Leistungsschild bei Ihrer Kundendienststelle oder direkt bei Milwaukee Electric Tool, Max-Eyth-Straße 10, D-71364 Winnenden, Germany angefordert werden.

SYMBOLE



Vor allen Arbeiten an der Maschine den Wechselakku herausnehmen



Halten Sie die Hände von rotierenden Teilen fern.



Beim Arbeiten mit der Maschine stets Schutzbrille tragen.



Schutzhandschuhe tragen!



Werfen Sie Elektrowerkzeuge nicht in den Hausmüll!
Gemäss Europäischer Richtlinie 2002/96/EG über Elektro- und Elektronik-Altgeräte und Umsetzung in nationales Recht müssen verbrauchte Elektrowerkzeuge getrennt gesammelt und einer umweltgerechten Wiederverwertung zugeführt werden.

CARACTÉRISTIQUES TECHNIQUES

M12 BS

Vitesse de rotation	0-85 m/min
Dimensions de la lame de scie.....	687,4 x 12,7 x 0,5 mm
Puissance de coupe maximale profilés rectangulaires	41,3 x 41,3 mm
Puissance de coupe maximale tube	∅ 41,3 mm
Tension accu interchangeable	12 V
Poids suivant EPTA-Procédure 01/2003 (Batterie 1,5 Ah)	2,9 kg
Poids suivant EPTA-Procédure 01/2003 (Batterie 3,0 Ah)	3,2 kg

Informations sur le bruit et les vibrations

Valeurs de mesure obtenues conformément à la EN 60 745.

Les mesures réelles (A) des niveaux acoustiques de l'appareil sont :

Niveau de pression acoustique (K=3 dB(A)).....	74 dB (A)
Niveau d'intensité acoustique (K=3 dB(A)).....	85 dB (A)

Toujours porter une protection acoustique!

Valeurs totales des vibrations (somme vectorielle de trois sens) établies conformément à EN 60745.

Sciage du bois	
Valeur d'émission vibratoire a _v	< 2,5 dB (A)
Incertitude K=	1,5 dB (A)

AVERTISSEMENT

Le niveau vibratoire indiqué dans ces instructions a été mesuré selon un procédé de mesure normalisé dans la norme EN 60745 et peut être utilisé pour comparer des outils électriques entre eux. Il convient aussi à une estimation provisoire de la sollicitation par les vibrations.

Le niveau vibratoire indiqué représente les applications principales de l'outil électrique. Toutefois, si l'outil électrique est utilisé pour d'autres applications, avec des outils rapportés qui diffèrent ou une maintenance insuffisante, il se peut que le niveau vibratoire diverge. Cela peut augmenter nettement la sollicitation par les vibrations sur tout l'intervalle de temps du travail.

Pour une estimation précise de la sollicitation par les vibrations, on devrait également tenir compte des temps pendant lesquels l'appareil n'est pas en marche ou tourne sans être réellement en service. Cela peut réduire nettement la sollicitation par les vibrations sur tout l'intervalle de temps du travail.

Définissez des mesures de sécurité supplémentaires pour protéger l'utilisateur contre l'influence des vibrations, comme par exemple : la maintenance de l'outil électrique et des outils rapportés, le maintien au chaud des mains, l'organisation des déroulements de travail.

AVERTISSEMENT! Lisez toutes les consignes de sécurité et les instructions, même celles qui se trouvent dans la brochure ci-jointe. Le non-respect des avertissements et instructions indiqués ci après peut entraîner un choc électrique, un incendie et/ou de graves blessures sur les personnes.

Bien garder tous les avertissements et instructions.

INSTRUCTIONS DE SÉCURITÉ PARTICULIÈRES

Portez une protection acoustique. L'influence du bruit peut provoquer la surdité.

Maintenez l'appareil par les surfaces de poignée isolées lorsque vous exécutez des travaux pendant lesquels l'outil de coupe peut toucher des lignes électriques dissimulées.

Le contact de l'outil de coupe avec un câble qui conduit la tension peut mettre les pièces métalliques de l'appareil sous tension et mener à une décharge électrique.

Toujours porter des lunettes protectrices en travaillant avec la machine. Des gants de sécurité, des chaussures solides et à semelles antidérapantes et un tablier sont recommandés.

Ne jamais enlever les copeaux ni les éclats lorsque la machine est en marche.

Ne pas utiliser de lames de scie fissurées ou déformées.

Toujours appuyer l'étrier de guidage sur la pièce à travailler.

Ne pas mettre en marche la machine lorsque la lame de scie touche le matériau. Mettre la machine d'abord en marche, puis seulement scier dans le matériau.

Au cas où la lame de scie serait coincée, arrêter immédiatement la machine, attendre l'arrêt total de la lame de scie avant de la retirer du matériau. Ne jamais remettre en marche la machine tant que la lame de scie touche le matériau.

Ne pas jeter les accus interchangeables usés au feu ou avec les déchets ménagers. Milwaukee offre un système d'évacuation écologique des accus usés.

Ne pas conserver les accus interchangeables avec des objets métalliques (risque de court-circuit)

Aucune pièce métallique ne doit pénétrer dans le logement d'accu du chargeur (risque de court-circuit)

Ne charger les accus interchangeables du système C 18 qu'avec le chargeur d'accus du système C 18. Ne pas charger des accus d'autres systèmes.

Ne pas ouvrir les accus interchangeables et les chargeurs et ne les stocker que dans des locaux secs. Les protéger contre l'humidité.

En cas de conditions ou températures extrêmes, du liquide caustique peut s'échapper d'un accu interchangeable endommagé. En cas de contact avec le liquide caustique de la batterie, laver immédiatement avec de l'eau et du savon. En cas de contact avec les yeux, rincer soigneusement avec de l'eau et consulter immédiatement un médecin.

UTILISATION CONFORME AUX PRESCRIPTIONS

La scie à ruban peut être utilisée pour scier des coupes droites dans différents types de métaux, comme par exemple des profilés métalliques (UniStrut), tubes, montants pour les constructions sèches, canaux de câbles, profilés en aluminium et tôles.

Comme déjà indiqué, cette machine n'est conçue que pour être utilisée conformément aux prescriptions.

DECLARATION CE DE CONFORMITÉ

Nous déclarons sous notre responsabilité que ce produit est en conformité avec les normes ou documents normalisés suivants
EN 60745-1:2009 + A11:2010
EN 60745-2-20:2009
EN 55014-1:2006 + A1:2009 + A2:2011
EN 55014-2:1997 + A1:2001 + A2:2008
EN61000-3-2, EN61000-3-3
conformément aux conformément aux réglementations
2011/65/EU (RoHS)
2006/42/CE
2004/108/CE



Winnenden, 2012-10-26

Rainer Kumpf
Manager Product Development

Autorisé à compiler la documentation technique.

ACCUS

Les nouveaux accus interchangeables atteignent leur pleine capacité après 4-5 cycles de chargement et déchargement. Recharger les accus avant utilisation après une longue période de non utilisation.

Une température supérieure à 50°C amoindrit la capacité des accus. Eviter les expositions prolongées au soleil ou au chauffage.

Tenir propres les contacts des accus et des chargeurs.

Pour une plus longue durée de vie, enlever les batteries du chargeur de batterie quand celles-ci seront chargées.

En cas d'entreposage de la batterie pour plus de 30 jours: Entreposer la batterie à 27°C environ dans un endroit sec. Entreposer la batterie avec une charge d'environ 30% - 50%. Recharger la batterie tous les 6 mois.

PROTECTION DE L'ACCU CONTRE LES SURCHARGES

En cas de surcharge de l'accu suite à une consommation de courant très élevée, par exemple des couples extrêmement hauts, un coincement du foret, un arrêt soudain ou un court-circuit, l'outil électrique se met à bourdonner pendant 2 secondes et s'éteint automatiquement.

Pour le remettre en marche, il faut relâcher le poussoir de commutateur, puis l'enclencher à nouveau.

Il se peut que l'accu s'échauffe fortement s'il est soumis à des sollicitations extrêmes. Dans ce cas, il se déconnecte. Mettre alors l'accu en place dans le chargeur pour le recharger et l'activer.

ENTRETIEN

Tenir toujours propres les orifices de ventilation de la machine.

Utiliser uniquement les accessoires Milwaukee et les pièces détachées Milwaukee. Faire remplacer les composants dont le remplacement n'a pas été décrit, par un des centres de service après-vente Milwaukee (observer la brochure avec les adresses de garantie et de service après-vente).

Si besoin est, une vue éclatée de l'appareil peut être fournie. S'adresser, en indiquant bien le numéro à dix chiffres porté sur la plaque signalétique, à votre station de service après-vente (voir liste jointe) ou directement à Milwaukee Electric Tool, Max-Eyth-Straße 10, D-71364 Winnenden, Germany.

SYMBOLS

Avant tous travaux sur la machine retirer l'accu interchangeable.



Toujours porter des lunettes protectrices en travaillant avec la machine.



Porter des gants de protection!



Ne pas jeter les appareils électriques dans les ordures ménagères! Conformément à la directive européenne 2002/96/EG relative aux déchets d'équipements électriques ou électroniques (DEEE), et à sa transposition dans la législation nationale, les appareils électriques doivent être collectés à part et être soumis à un recyclage respectueux de l'environnement.

DATI TECNICI

M12 BS

Numero di giri a vuoto	0-85 m/min
Dimensioni della lama della sega	687,4 x 12,7 x 0,5 mm
Potenza massima di taglio profili rettangolari	41,3 x 41,3 mm
Potenza massima di taglio tubi	ø 41,3 mm
Tensione batteria	12 V
Peso secondo la procedura EPTA 01/2003 (Batteria 1,5 Ah)	2,9 kg
Peso secondo la procedura EPTA 01/2003 (Batteria 3,0 Ah)	3,2 kg

Informazioni sulla rumorosità/sulle vibrazioni

Valori misurati conformemente alla norma EN 60 745.

La misurazione A del livello di pressione acustica dell'utensile è di solito di:

Livello di rumorosità (K=3 dB(A))	74 dB (A)
Potenza della rumorosità (K=3 dB(A))	85 dB (A)

Utilizzare le protezioni per l'udito!

Valori totali delle oscillazioni (somma di vettori in tre direzioni) misurati conformemente alla norma EN 60745

Segatura di legno

Valore di emissione dell'oscillazione a_h	< 2,5 dB (A)
Incertezza della misura K=	1,5 dB (A)

AVVERTENZA

Il livello di vibrazioni indicato nella presenti istruzioni è stato misurato in conformità con un procedimento di misurazione codificato nella EN 60745 e può essere utilizzato per un confronto tra attrezzi elettrici. Inoltre si può anche utilizzare per una valutazione preliminare della sollecitazione da vibrazioni.

Il livello di vibrazioni indicato rappresenta le applicazioni principali dell'attrezzo elettrico. Se viceversa si utilizza l'attrezzo elettrico per altri scopi, con accessori differenti o con una manutenzione insufficiente, il livello di vibrazioni può risultare diverso. E questo può aumentare decisamente la sollecitazione da vibrazioni lungo l'intero periodo di lavorazione.

Ai fini di una valutazione precisa della sollecitazione da vibrazioni si dovrebbero tenere presente anche i periodi in cui l'apparecchio rimane spento oppure, anche se acceso, non viene effettivamente utilizzato. Ciò può ridurre notevolmente la sollecitazione da vibrazioni lungo l'intero periodo di lavorazione.

Stabilite misure di sicurezza supplementari per la tutela dell'operatore dall'effetto delle vibrazioni, come ad esempio: manutenzione dell'attrezzo elettrico e degli accessori, riscaldamento delle mani, organizzazione dei processi di lavoro.

AVVERTENZA! E' necessario leggere tutte le indicazioni di sicurezza e le istruzioni, anche quelle contenute nella brochure allegata. In caso di mancato rispetto delle avvertenze di pericolo e delle istruzioni operative si potrà creare il pericolo di scosse elettriche, incendi e/o incidenti gravi.

Conservare tutte le avvertenze di pericolo e le istruzioni operative per ogni esigenza futura.

NORME DI SICUREZZA

Indossare protezioni acustiche adeguate. L'esposizione prolungata al rumore senza protezione può causare danni all'udito.

Impugnare l'apparecchio sulle superfici di tenuta isolate mentre si eseguono lavori durante i quali l'utensile da taglio potrebbe entrare in contatto con cavi di corrente. L'eventuale contatto dell'utensile da taglio con un cavo sotto tensione potrebbe mettere sotto tensione le parti metalliche dell'apparecchio e provocare una folgorazione.

Durante l'uso dell'apparecchio utilizzare sempre gli occhiali di protezione. Inoltre si consiglia di usare sistemi di protezione per la respirazione e per l'udito, oltre ai guanti di protezione.

Non rimuovere trucioli o schegge mentre l'utensile è in funzione.

Non devono essere utilizzate né lame incrinata né lame la cui forma abbia subito alterazioni.

Segando, posizionare sempre la staffa di guida sul pezzo da lavorare.

Non accendere l'utensile fin quando la lama non è a contatto con il materiale. Prima accendere l'utensile e poi eseguire il taglio nel materiale.

Quando la lama si blocca o quando s'interrompe un lavoro per qualsiasi ragione, rilasciare l'interruttore e tenere l'utensile immobile sul materiale finché la lama non si sia fermata completamente. Non riaccendere l'utensile se la lama è ancora a contatto con il pezzo su cui si sta lavorando.

Non gettare le batterie esaurite sul fuoco o nella spazzatura di casa. La Milwaukee offre infatti un servizio di recupero batterie usate.

Nel vano d'innesto per la batteria del caricatore non devono entrare parti metalliche (pericolo di cortocircuito).

Non conservare le batterie con oggetti metallici (pericolo di cortocircuito).

Le batterie del System C 18 sono ricaricabili esclusivamente con i caricatori del System C 18. Le batterie di altri sistemi non possono essere ricaricate.

Non aprire né la batteria né il caricatore e conservarli solo in luogo asciutto. Proteggerli dalla umidità.

Nel caso di batterie danneggiate da un carico eccessivo o da temperature alte, l'acido di queste potrebbe fuoriuscire. In caso di contatto con l'acido delle batterie lavarsi immediatamente con acqua e sapone. In caso di contatto con gli occhi risciacquare immediatamente con acqua per almeno 10 minuti e contattare subito un medico.

UTILIZZO CONFORME

La sega a nastro si può utilizzare per segare tagli dritti di diversi tipi di metallo come p.e. profili in metallo (UniStrut), tubi, montanti di rivestimento e cartongesso, canaletti portacavi, profili in alluminio, lamiera.

Utilizzare il prodotto solo per l'uso per cui è previsto.

DICHIARAZIONE DI CONFORMITÀ CE

Dichiariamo, assumendo la piena responsabilità di tale dichiarazione, che il prodotto è conforme alle seguenti normative e ai relativi documenti:

EN 60745-1:2009 + A11:2010
EN 60745-2-20:2009
EN 55014-1:2006 + A1:2009 + A2:2011
EN 55014-2:1997 + A1:2001 + A2:2008
EN 61000-3-2, EN 61000-3-3,

in base alle prescrizioni delle direttive 2011/65/EU (RoHS)

2006/42/CE
2004/108/CE



Winnenden, 2012-10-26

Rainer Kumpf
Manager Product Development

Autorizzato alla preparazione della documentazione tecnica

BATTERIE

Le batterie nuove raggiungono la loro piena capacità dopo 4-5 cicli di carica e scarica. Batterie non utilizzate per molto tempo devono essere ricaricate prima dell'uso.

A temperature superiori ai 50°C, la potenza della batteria si riduce.

Evitare di esporre l'accumulatore a surriscaldamento prolungato, dovuto ad esempio ai raggi del sole o ad un impianto di riscaldamento.

Per una più lunga durata, rimuovere le batterie dal caricabatterie quando saranno cariche.

In caso di immagazzinaggio della batteria per più di 30 giorni: Immagazzinare la batteria a circa 27°C in ambiente asciutto. Immagazzinare la batteria con carica di circa il 30% - 50%. Ricaricare la batteria ogni 6 mesi.

DISPOSITIVO ANTISOVRACCARICO ACCUMULATORE

In caso di sovraccarico dell'accumulatore dovuto a consumo molto elevato di corrente, ad es. coppie di serraggio estremamente elevate, bloccaggio della punta, arresto improvviso o cortocircuito, l'elettro utensile romba per 2 secondi e poi si spegne automaticamente.

Per riaccenderlo, rilasciare l'interruttore e poi riaccenderlo.

Se sottoposto a carichi estremi, l'accumulatore può surriscaldarsi. In questo caso l'accumulatore si spegne. Inserire l'accumulatore nell'apparecchio carica-batterie per ricaricarlo e attivarlo.

MANUTENZIONE

Tener sempre ben pulite le fessure di ventilazione dell'apparecchio.

Usare solo accessori Milwaukee e pezzi di ricambio Milwaukee. Gruppi costruttivi la cui sostituzione non è stata descritta, devono essere fatti cambiare da un punto di servizio di assistenza tecnica al cliente Milwaukee (vedi depliant garanzia/ indirizzi assistenza tecnica ai clienti).

In caso di mancanza del disegno esplosivo, può essere richiesto al seguente indirizzo: Milwaukee Electric Tool, Max-Eyth-Straße 10, D-71364 Winnenden, Germany.

Simboli



Prima di iniziare togliere la batteria dalla macchina.



Durante l'uso dell'apparecchio utilizzare sempre gli occhiali di protezione.



Indossare guanti protettivi!



Non gettare le apparecchiature elettriche tra i rifiuti domestici. Secondo la Direttiva Europea 2002/96/CE sui rifiuti di apparecchiature elettriche ed elettroniche e la sua attuazione in conformità alle norme nazionali, le apparecchiature elettriche esauste devono essere accolte separatamente, al fine di essere reimpiegate in modo eco-compatibile.

DATOS TÉCNICOS

M12 BS

Velocidad en vacío	0-85 m/min
Dimensiones hoja de sierra	687,4 x 12,7 x 0,5 mm
Rendimiento máximo de corte perfiles rectangulares	41,3 x 41,3 mm
Rendimiento máximo de corte tubos	∅ 41,3 mm
Voltaje de batería	12 V
Peso de acuerdo con el procedimiento EPTA 01/2003 (Batería 1,5 Ah) ..	2,9 kg
Peso de acuerdo con el procedimiento EPTA 01/2003 (Batería 3,0 Ah) ..	3,2 kg

Información sobre ruidos / vibraciones

Determinación de los valores de medición según norma EN 60 745.

El nivel de ruido típico del aparato determinado con un filtro A corresponde a:

Presión acústica (K=3 dB(A))	74 dB (A)
Resonancia acústica (K=3 dB(A))	85 dB (A)

Usar protectores auditivos!

Nivel total de vibraciones (suma vectorial de tres direcciones) determinado según EN 60745.

aserrado de madera	
Valor de vibraciones generadas a _v	< 2,5 dB (A)
Tolerancia K=	1,5 dB (A)

ADVERTENCIA

El nivel vibratorio indicado en estas instrucciones ha sido medido conforme a un método de medición estandarizado en la norma EN 60745, y puede utilizarse para la comparación entre herramientas eléctricas. También es apropiado para una estimación provisional de la carga de vibración.

El nivel vibratorio indicado representa las aplicaciones principales de la herramienta eléctrica. Si, pese a ello, se utiliza la herramienta eléctrica para otras aplicaciones, con útiles adaptables diferentes o con un mantenimiento insuficiente, el nivel vibratorio puede diferir. Esto puede incrementar sensiblemente la carga de vibración durante todo el periodo de trabajo.

Para una estimación exacta de la carga de vibración deberían tenerse en cuenta también los tiempos durante los que el aparato está apagado o, pese a estar en funcionamiento, no está siendo realmente utilizado. Esto puede reducir sustancialmente la carga de vibración durante todo el periodo de trabajo.

Adopte medidas de seguridad adicionales para la protección del operador frente al efecto de las vibraciones, como por ejemplo: mantenimiento de la herramienta eléctrica y de los útiles adaptables, mantener las manos calientes, organización de los procesos de trabajo.

⚠ ADVERTENCIA! Rogamos leer las indicaciones de seguridad y las instrucciones, también las que contiene el folleto adjunto. En caso de no atenerse a las advertencias de peligro e instrucciones siguientes, ello puede ocasionar una descarga eléctrica, un incendio y/o lesión grave.
Guardar todas las advertencias de peligro e instrucciones para futuras consultas.

INSTRUCCIONES DE SEGURIDAD

¡Utilice protección auditiva! La exposición a niveles de ruido excesivos puede causar pérdida de audición.

Sujete el aparato de las superficies aisladas de agarre al efectuar trabajos en los cuales la perforadora de percusión pueda entrar en contacto con conductores de corriente ocultos. El contacto de la perforadora de percusión con un conducto con energía aplicada también podrá poner bajo tensión partes metálicas del aparato y causar un choque eléctrico.

Para trabajar con la máquina, utilizar siempre gafas de protección, guantes, calzado de seguridad antideslizante, así como es recomendable usar protectores auditivos.

Nunca se debe intentar limpiar el polvo o viruta procedente del taladrado con la máquina en funcionamiento.

No usar sequeñas rajadas o torcidas.

Al serrar aplicar siempre el estribo guía a la pieza de trabajo.

No arrancar con el disco en contacto con el material, esperar a que alcance la velocidad máxima

Cuando el disco esté bloqueado, o al interrumpir el corte por cualquier circunstancia, suelte el interruptor y sujete la máquina hasta que el disco se detenga completamente. Nunca vuelva a conectar la herramienta con el disco en contacto con la pieza de trabajo

No tire las baterías usadas a la basura ni al fuego. Los Distribuidores Milwaukee ofrecen un servicio de recogida de baterías antiguas para proteger el medio ambiente.

No almacene la batería con objetos metálicos (riesgo de cortocircuito).

No introduzca en la cavidad del cargador objetos metálicos (riesgo de cortocircuito).

Recargar solamente los acumuladores del Sistema C 18 en cargadores C 18. No intentar recargar acumuladores de otros sistemas.

No abra nunca las baterías ni los cargadores y guárdelos sólo en lugares secos. Protéjalos de la humedad en todo momento.

En caso de sobrecarga o alta temperatura, pueden llegar a producirse escapes de ácido provenientes de la batería. En caso de contacto con éste, limpie inmediatamente la zona con agua y jabón. Si el contacto es en los ojos, límpiese concienzudamente con agua durante 10 minutos y acuda inmediatamente a un médico

APLICACIÓN DE ACUERDO A LA FINALIDAD

La cierra de cinta puede aplicarse para cortes en línea recta en diferentes tipos de material como p. ej. perfiles de metal (UniStrut), tubos, canales para cables, perfiles de aluminio, chapas.

No utilice este producto para ninguna otra aplicación que no sea su uso normal.

DECLARACION DE CONFORMIDAD CE

Declaramos bajo nuestra sola responsabilidad que este producto está en conformidad con las normas o documentos normalizados siguientes.

EN 60745-1:2009 + A11:2010
EN 60745-2-20:2009
EN 55014-1:2006 + A1:2009 + A2:2011
EN 55014-2:1997 + A1:2001 + A2:2008
EN 61000-3-2

de acuerdo con las regulaciones
2011/65/EU (RoHS)
2006/42/CE
2004/108/CE



Winnenden, 2012-10-26

Rainer Kumpf
Manager Product Development

Autorizado para la redacción de los documentos técnicos

BATERÍA

Las baterías nuevas alcanzan su plena capacidad de carga después de 4 - 5 cargas y descargas. Las baterías no utilizadas durante cierto tiempo deben ser recargadas antes de usar.

Las temperaturas superiores a 50°C reducen el rendimiento de la batería. Evite una exposición excesiva a fuentes de calor o al sol (riesgo de sobrecalentamiento).

Los puntos de contacto de los cargadores y las baterías se deben mantener limpios.

Para garantizar la máxima capacidad y vida útil, las baterías recargables se deberían retirar del cargador una vez finalizada la carga.

En caso de almacenar la batería recargable más de 30 días: Almacenar la batería recargable en un lugar seco a una temperatura de aproximadamente 27°C. Almacenar la batería recargable con un estado de carga del 30% y 50% aproximadamente. Recargar la batería cada 6 meses.

PROTECCIÓN CONTRA SOBRECARGA DE LA BATERÍA

En caso de sobrecarga del acumulador por consumo muy elevado de corriente, por ej. debido a pares muy elevados, agarrotamiento del taladro, parada repentina o cortocircuito, la herramienta eléctrica zumbará durante 2 segundos y se desconectará automáticamente.

Para reconectarla, libere primero el gatillo interruptor y después conectarla de nuevo.

Bajo cargas extremas, el acumulador se puede calentar mucho. En este caso desconecte el acumulador. Meta entonces la batería en el cargador para recargarla otra vez y activarla.

MANTENIMIENTO

Las ranuras de ventilación de la máquina deben estar despejadas en todo momento.

Utilice solamente accesorios y repuestos Milwaukee. En caso de necesitar reemplazar componentes no descritos, contacte con cualquiera de nuestras estaciones de servicio Milwaukee (consultar lista de servicio técnicos)

En caso necesario, puede solicitar un despiece de la herramienta. Por favor indique el número de impreso de diez dígitos que hay en la etiqueta y pida el despiece a la siguiente dirección: Milwaukee Electric Tool, Max-Eyth-Straße 10, D-71364 Winnenden, Germany.

SÍMBOLOS



Retire la batería antes de comenzar cualquier trabajo en la máquina.



Para trabajar con la máquina, utilizar siempre gafas de protección.



Usar guantes protectores



¡No deseche los aparatos eléctricos junto con los residuos domésticos! De conformidad con la Directiva Europea 2002/96/CE sobre residuos de aparatos eléctricos y electrónicos y su aplicación de acuerdo con la legislación nacional, las herramientas eléctricas cuya vida útil haya llegado a su fin se deberán recoger por separado y trasladar a una planta de reciclaje que cumpla con las exigencias ecológicas.

CARACTERÍSTICAS TÉCNICAS

M12 BS

Nº de rotações em vazio	0-85 m/min
Dimensões da folha de serra.....	687,4 x 12,7 x 0,5 mm
Potência de corte máx. perfis rectangulares	41,3 x 41,3 mm
Potência de corte máx. tubos	Ø 41,3 mm
Tensão do acumulador	12 V
Peso nos termos do procedimento-EPTA 01/2003 (Bateria 1,5 Ah).....	2,9 kg
Peso nos termos do procedimento-EPTA 01/2003 (Bateria 3,0 Ah).....	3,2 kg

Informações sobre ruído/vibração

Valores de medida de acordo com EN 60 745.

O nível de ruído avaliado A do aparelho é tipicamente:

Nível da pressão de ruído (K=3 dB(A)).....	74 dB (A)
Nível da potência de ruído (K=3 dB(A)).....	85 dB (A)

Use protectores auriculares!

Valores totais de vibração (soma dos vectores das três direcções) determinadas conforme EN 60745.

Serrar madeira	
Valor de emissão de vibração a _v	< 2,5 dB (A)
Incerteza K=	1,5 dB (A)

ATENÇÃO

O nível vibratório indicado nestas instruções foi medido em conformidade com um procedimento de medição normalizado na EN 60745 e pode ser utilizado para comparar entre si ferramentas eléctricas. O mesmo é também adequado para avaliar provisoriamente o esforço vibratório.

O nível vibratório indicado representa as principais aplicações da ferramenta eléctrica. Se, no entanto, a ferramenta eléctrica for utilizada para outras aplicações, com outras ferramentas adaptadas ou uma manutenção insuficiente, o nível vibratório poderá divergir. Isto pode aumentar consideravelmente o esforço vibratório ao longo de todo o período do trabalho.

Para uma avaliação exacta do esforço vibratório devem também ser considerados os tempos durante os quais o aparelho está desligado ou está a funcionar, mas não está efectivamente a ser utilizado. Isto pode reduzir consideravelmente o esforço vibratório ao longo de todo o período do trabalho.

Defina medidas de segurança suplementares para proteger o operador do efeito das vibrações, como por exemplo: manutenção da ferramenta eléctrica e das ferramentas adaptadas, manter as mãos quentes, organização das sequências de trabalho.

⚠ ATENÇÃO! Leia todas as instruções de segurança e todas as instruções, também aquelas que constam na brochura juntada. O desrespeito das advertências e instruções apresentadas abaixo pode causar choque eléctrico, incêndio e/ou graves lesões.

Guarde bem todas as advertências e instruções para futura referência.

INSTRUÇÕES DE SEGURANÇA

Sempre use a protecção dos ouvidos. A influência de ruídos pode causar surdez.

Segure o aparelho nas superfícies de punho isoladas se estiver a executar trabalhos, nos quais a ferramenta de corte pode tocar em linhas eléctricas escondidas. O contacto da ferramenta de corte com uma linha sob tensão também pode colocar peças metálicas do aparelho sob tensão e levar a um choque eléctrico.

Usar sempre óculos de protecção ao trabalhar com a máquina. Recomenda-se a utilização de luvas de protecção, protectores para os ouvidos e máscara anti-poeiras.

Não remover aparas ou lascas enquanto a máquina trabalha.

Não utilizar lâminas de corte fissuradas ou deformadas.

Coloque sempre a guia na peça de trabalho quando estiver a serrar.

Não ligue a máquina se o disco de serra estiver em contacto com o material. Efectue os cortes no material só depois de ligada a máquina.

Se o disco de serra ficar emperrado, desligue a máquina imediatamente e puxe-a para fora do material depois de imobilizado o disco. Nunca volte a ligar a máquina se o disco de serra ainda estiver em contacto com o material.

Não queimar acumuladores gastos nem deitá-los no lixo doméstico. A Milwaukee possui uma eliminação de acumuladores gastos que respeita o meio ambiente.

Não guardar acumuladores junto com objectos metálicos (perigo de curto-circuito).

Não abrir acumuladores e carregadores. Armazená-los em recintos secos. Protegê-los contra humidade.

Use apenas carregadores do Sistema C 18 para recarregar os acumuladores do Sistema C 18. Não utilize acumuladores de outros sistemas.

Carregadores só devem ser utilizados em recintos secos.

Em caso de cargas ou temperaturas extremas, um acumulador de substituição danificado poderá verter líquido de bateria. Se entrar em contacto com este líquido, deverá lavar-se imediatamente com água e sabão. Em caso de contacto com os olhos, enxágue-os bem e de imediato durante pelo menos 10 minutos e consulte um médico o mais depressa possível.

UTILIZAÇÃO AUTORIZADA

A serra de fita pode ser utilizada para serrar cortes rectilíneos em diversos tipos de metal como p.ex. perfis metálicos (UniStrut), tubos, montantes de construção a seco, condutos de cabos, perfis de alumínio, chapas.

Não use este produto de outra maneira sem ser a normal para o qual foi concebido.

DECLARAÇÃO DE CONFORMIDADE CE

Declaramos, sob nossa exclusiva responsabilidade, que este produto cumpre as seguintes normas ou documentos normativos:

EN 60745-1:2009 + A11:2010
EN 60745-2-20:2009
EN 55014-1:2006 + A1:2009 + A2:2011
EN 55014-2:1997 + A1:2001 + A2:2008
EN 61000-3-2, EN 61000-3-3
conforme as disposições das directivas
2011/65/EU (RoHS)
2006/42/CE
2004/108/CE



Winnenden, 2012-10-26

Rainer Kumpf
Manager Product Development

Autorizado a reunir a documentação técnica.

ACUMULADOR

Acumuladores novos atingem a sua plena capacidade após 4-5 ciclos de carga e descarga. Acumuladores não utilizados durante algum tempo devem ser recarregados antes da sua utilização.

Temperaturas acima de 50°C reduzem a capacidade do bloco acumulador. Evitar exposição prolongada ao sol ou a caloríferos.

Manter limpos os contactos eléctricos no carregador e no bloco acumulador.

Para assegurar uma vida útil longa, o pacote de bateria deve ser removido da carregadora depois do carregamento.

Se o pacote de bateria for armazenado por mais de 30 dias: Armazene o pacote de bateria com aprox. 27°C em um lugar seco.

Armazene o pacote de bateria com aprox. 30%-50% da carga completa.

Carregue o pacote de bateria novamente de 6 em 6 meses.

PROTECÇÃO DE SOBRECARGA DE BATERIA

No caso de sobrecarga da bateria devido a um consumo de corrente demasiado elevado, por exemplo um binário de rotação extremamente elevado, um bloqueio da broca, uma paragem repentina ou um curto-circuito, a ferramenta eléctrica vibra durante 2 segundos e desliga-se automaticamente.

Para a ligar novamente, desligar e voltar a ligar o interruptor. Sob condições extremas, a bateria pode aquecer demasiado. Neste caso a bateria desliga-se.

Voltar então a colocar o acumulador no carregador para o carregar de novo e para assim o activar.

MANUTENÇÃO

Manter desobstruídos os rasgos de ventilação na carcaça da máquina.

Utilizar apenas acessórios Milwaukee e peças sobresselentes Milwaukee. Os componentes cuja substituição não esteja descrita devem ser substituídos num serviço de assistência técnica Milwaukee (consultar a brochura relativa à garantia/moradas dos serviços de assistência técnica).

A pedido e mediante indicação da referência de dez números que consta da chapa de características da máquina, pode requerer-se um desenho explosivo da ferramenta eléctrica a: Milwaukee Electric Tool, Max-Eyth-Straße 10, D-71364 Winnenden, Germany.

SYMBOLE



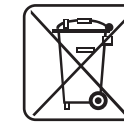
Antes de efectuar qualquer intervenção na máquina retirar o bloco acumulador.



Usar sempre óculos de protecção ao trabalhar com a máquina.



Use luvas de protecção!



Não deite ferramentas eléctricas no lixo doméstico! De acordo com a directiva europeia 2002/96/CE sobre ferramentas eléctricas e electrónicas usadas e a transposição para as leis nacionais, as ferramentas eléctricas usadas devem ser recolhidas em separado e encaminhadas a uma instalação de reciclagem dos materiais ecológica.

TECHNISCHE GEGEVENS**M12 BS**

Onbelast toerental	0-85 m/min
Afmetingen zaagblad	687,4 x 12,7 x 0,5 mm
Vermogen rechthoekprofielen	41,3 x 41,3 mm
Vermogen buizen	∅ 41,3 mm
Spanning wisselakku	12 V
Gewicht volgens de EPTA-procedure 01/2003 (Accu 1,5 Ah)	2,9 kg
Gewicht volgens de EPTA-procedure 01/2003 (Accu 3,0 Ah)	3,2 kg

Geluids-/trillingsinformatie

Meetwaarden vastgesteld volgens EN 60 745.

Het kenmerkende A-gewogen geluidsniveau van de machine bedraagt:

Geluidsdrukniveau (K = 3 dB(A))	74 dB (A)
Geluidsvermogeniveau (K = 3 dB(A))	85 dB (A)

Draag oorbeschermers!

Totale trillingswaarden (vectorsom van drie richtingen) bepaald volgens EN 60745.

Zagen van hout

Trillingsemismissiewaarde a _h	< 2,5 dB (A)
Onzekerheid K=	1,5 dB (A)

WAARSCHUWING

De in deze aanwijzingen vermelde trillingsdruk is gemeten volgens een in EN 60745 genormeerde meetmethode en kan worden gebruikt voor de onderlinge vergelijking van apparaten. Hij is ook geschikt voor een voorlopige inschatting van de trillingsbelasting.

De aangegeven trillingsdruk geldt voor de meest gebruikelijke toepassingen van het elektrische apparaat. Wanneer het elektrische gereedschap echter voor andere doeleinden, met andere dan de voorgeschreven hulpstukken gebruikt of niet naar behoren onderhouden wordt, kan de trillingsdruk afwijken. Dit kan de waarde van de trillingsdruk over de hele werkperiode aanzienlijk verhogen.

Voor een nauwkeurige inschatting van de trillingsdruk moeten ook de tijden in aanmerking worden genomen dat het apparaat aangeschakeld is of weliswaar loopt, maar niet werkelijk in gebruik is. Dit kan de waarde van de trillingsdruk over de hele werkperiode aanzienlijk verminderen.

Bepaal extra veiligheidsmaatregelen ter bescherming van de bediener tegen de inwerking van trillingen, bijvoorbeeld: onderhoud van elektrische gereedschappen en apparaten, warmhouden van de handen, organisatie van de werkprocessen.

WAARSCHUWING! Lees alle veiligheidsinstructies en aanwijzingen door - ook die in de bijgeleverde brochure.

Als de waarschuwingen en voorschriften niet worden opgevolgd, kan dit een elektrische schok, brand of ernstig letsel tot gevolg hebben.

Bewaar alle waarschuwingen en voorschriften voor toekomstig gebruik.**VEILIGHEIDSADVIEZEN****Draag oorbeschermers.** Blootstelling aan geluid kan het gehoor beschadigen.**Houd het apparaat alléén aan de geïsoleerde grijpvlakken vast, wanneer u werkzaamheden uitvoert waarbij het snijgereedschap verborgen stroomleidingen zou kunnen raken.** Het contact van het snijgereedschap met een spanningvoerende leiding kan de metalen apparaatdelen onder spanning zetten en zo tot een elektrische schok leiden.

Bij het werken met de machine altijd een veiligheidsbril dragen. Werkhandschoenen en stofkapje voor de mond worden aanbevolen.

Spanen of splinters mogen bij draaiende machine niet worden verwijderd.

Gescheurde zaagbladen of welke van vorm veranderd zijn, mogen niet gebruikt worden.

Geleidebeugel bij het zagen altijd tegen het werkstuk leggen.

Schakel de machine niet in als het zaagblad het materiaal beroert. Start de machine, laat hem eerst vol draaien en zet ,m dan pas op het te zagen materiaal.

Mocht het zaagblad klemmen, de machine uitschakelen en na stilstand van het zaagblad voorzichtig uit het materiaal trekken. De machine in géén geval inschakelen, wanneer het zaagblad het materiaal nog beroert.

Verbruikte akku's niet in het vuur of bij het huisvuil werpen. Milwaukee biedt namelijk een milieuvriendelijke recyclingmethode voor uw oude akku's.

Wisselakku's niet bij metalen voorwerpen bewaren (kortsluitingsgevaar !) .

In de wisselakku-opnameschacht van het laadapparaat mogen géén metaaldeeltjes komen (kortsluitingsgevaar !) .

Wisselakku's van het Akku-Systeem C 18 alléén met laadapparaten van het Akku-Systeem C 18 laden. Geen akku's van andere systemen laden.

Wisselakku's en laadapparaten niet openen en alleen in droge ruimtes opslaan. Tegen vocht beschermen.

Onder extreme belasting of extreme temperaturen kan uit de accu accu-vloeistof lopen. Na contact met accu-vloeistof direct afwassen met water en zeep. Bij oogcontact direct minstens 10 minuten grondig spoelen en onmiddellijk een arts raadplegen.

VOORGESCHREVEN GEBRUIK VAN HET SYSTEEM

De bandzaag is geschikt voor het zagen van rechte sneden in verschillende soortenmetaal zoals bijv. metaalprofielen (UniStrut), buizen, droogbouwstandaards, kabelkanalen, aluminiumprofielen en platen.

Dit apparaat uitsluitend gebruiken voor normaal gebruik, zoals aangegeven.

EC - VERKLARING VAN OVEREENSTEMMING

Wij verklaren dat dit product voldoet aan de volgende normen of normatieve documenten:
 EN 60745-1:2009 + A11:2010
 EN 60745-2-20:2009
 EN 55014-1:2006 + A1:2009 + A2:2011
 EN 55014-2:1997 + A1:2001 + A2:2008
 overeenkomstig de bepalingen van de richtlijnen 2011/65/EU (RoHS)
 2006/42/EG
 2004/108/EG



Winnenden, 2012-10-26

Rainer Kumpf
Manager Product Development

Gemachtigd voor samenstelling van de technische documenten

AKKU

Nieuwe wisselakku's bereiken hun volle capaciteit na 4-5 laad-/ontlaadcycli. Langere tijd niet toegepaste wisselakku's vóór gebruik altijd naladen.

Een temperatuur boven de 50°C vermindert de capaciteit van de accu. Langdurige verwarming door zon of hitte vermijden.

De aansluitcontacten aan het laadapparaat en de accu schoonhouden.

Voor een zo lang mogelijke levensduur van de accu's dienen deze na het opladen uit het laadtoestel te worden verwijderd.

Bij een langere opslag van de accu dan 30 dagen:

accu bij ca. 27 °C droog bewaren.

accu bij ca. 30 % - 50 % van de laadtoestand bewaren.

accu om de 6 maanden opnieuw opladen.

OVERBELASTINGSBEVEILIGING VAN DE ACCU

Bij overbelasting van de accu door een zeer hoog stroomverbruik, bijv. extreem hoge draaimomenten, klemmen van de boor, plotseling stoppen of kortsluiting, vibreert het elektrische gereedschap gedurende 2 seconden en schakelt dan automatisch uit.

Om het gereedschap weer in te schakelen, moet u de drukschakelaar loslaten en vervolgens weer inschakelen.

Onder extreme belastingen wordt de accu te heet. In dit geval schakelt hij uit.

Steek de accu in het laadtoestel om hem weer op te laden en te activeren.

ONDERHOUD

Altijd de luchtspleten van de machine schoonhouden.

Gebruik uitsluitend Milwaukee toebehoren en onderdelen.

Indien componenten die moeten worden vervangen niet zijn beschreven, neem dan contact op met een officieel Milwaukee servicecentrum (zie onze lijst met servicecentra).

Onder vermelding van het tiencijferige nummer op het machineplaatje is desgewenst een doorsnedetekening van de machine verkrijgbaar bij: Milwaukee Electric Tool, Max-Eyth-Straße 10, D-71364 Winnenden, Germany.

SYMBOLEN

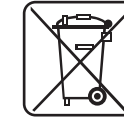
Voor alle werkzaamheden aan de machine de akku verwijderen.



Bij het werken met de machine altijd een veiligheidsbril dragen.



Bij het werken met de machine altijd een veiligheidsbril dragen.



Geef elektrisch gereedschap niet met het huisvuil mee! Volgens de Europese richtlijn 2002/96/EG inzake oude elektrische en elektronische apparaten en de toepassing daarvan binnen de nationale wetgeving, dient gebruikt elektrisch gereedschap gescheiden te worden ingezameld en te worden afgevoerd naar een recycle bedrijf dat voldoet aan de geldende milieueisen.

TEKNISKE DATA**M12 BS**

Omdrejningstal, ubelastet.....	0-85 m/min
Mål savklinge.....	687,4 x 12,7 x 0,5 mm
Skæreydelse firkantprofiler.....	41,3 x 41,3 mm
Skæreydelse rør.....	Ø 41,3 mm
Udskiftningsbatteriets spænding.....	12 V
Vægt svarer til EPTA-procedure 01/2003 (Batteri 1,5 Ah).....	2,9 kg
Vægt svarer til EPTA-procedure 01/2003 (Batteri 3,0 Ah).....	3,2 kg

Støj/Vibrationsinformation

Måleværdier beregnes iht. EN 60 745.

Værktøjets A-vurderede støjniveau er typisk:

Lydtrykniveau (K=3 dB(A)).....	74 dB (A)
Lydeffekt niveau (K=3 dB(A)).....	85 dB (A)

Brug høreværn!

Samlede vibrationsværdier (værdisum for tre retninger) beregnet iht.

EN 60745.

Savning af træ

Vibrationseksponering a_h	< 2,5 dB (A)
Usikkerhed K=.....	1,5 dB (A)

ADVARSEL

Svingningsniveauet, som er angivet i disse anvisninger, er målt i henhold til standardiseret måleprocedure ifølge EN 60745 og kan anvendes til indbyrdes sammenligning mellem el-værktøjer. Svingningsniveauet er ligeledes egnet som foreløbigt skøn over svingningsbelastningen.

Det angivne svingningsniveau er baseret på el-værktøjets primære anvendelsesformål. Hvis el-værktøjet benyttes til andre formål, med andet indsatsværktøj eller ikke vedligeholdes tilstrækkeligt, kan svingningsniveauet afvige. Dette kan øge svingningsbelastningen over den samlede arbejdsperiode betydeligt.

For en nøjagtig vurdering af svingningsbelastningen skal der også tages højde for de tidsperioder, hvor apparatet er slukket, eller hvor apparatet kører, men uden at være i anvendelse. Dette kan reducere svingningsbelastningen over den samlede arbejdsperiode betydeligt.

Supplerende sikkerhedsforanstaltninger til beskyttelse af brugeren mod påvirkninger fra svingninger skal iværksættes, f.eks.:

Vedligeholdelse af el-værktøj og indsatsværktøj, varmholdelse af hænder, organisering af arbejdsprocesser.

⚠ ADVARSEL! Læs alle sikkerhedsanvisninger og øvrige vejledninger, også i den vedlagte brochure. I tilfælde af manglende overholdelse af advarselshenvisningerne og instrukserne er der risiko for elektrisk stød, brand og/eller alvorlige kvæstelser.
Opbevar alle advarselshenvisninger og instrukser til senere brug.

SIKKERHEDSHENVISNINGER

Bær høreværn. Støjpåvirkning kan bevirke tab af hørelse.

Hold maskinen fast i de isolerede gribeblader, når du udfører arbejde, hvor der er risiko for, at skæreværktøjet kan ramme skjulte strømledninger. Kommer skæreværktøjet i kontakt med en strømførende ledning, kan maskinens metaldele komme under spænding og give elektrisk stød.

Når der arbejdes med maskinen, skal man have beskyttelsesbriller på. Beskyttelseshandsker, skridsikre sko, høreværn og forklæde anbefales.

Spåner eller splinter må ikke fjernes, medens maskinen kører. Ridsede savklinger eller sådanne, som har ændret form, må ikke bruges.

Ved savning skal styrebøjlen altid lægges til arbejdsstykket. Tænd ikke for maskinen, hvis savklingen berører materialet. Maskinen skal altid være tændt, før den føres ind i materialet.

Hvis savklingen kommer i klemme, slukkes maskinen med det samme og savklingen trækkes ud af materialet, når maskinen står stille. Tænd aldrig for maskinen, så længe savklingen berører materialet.

Opbrugte udskiftningsbatterier må ikke brændes eller kasseres sammen med alm. husholdningsaffald. Milwaukee har en miljørigtig bortskaffelse af gamle udskiftningsbatterier, henvend Dem til Deres forhandler.

Opbevar ikke udskiftningsbatterier sammen med metalgenstande af fare for kortslutning.

Metaldele o.lign. må ikke komme i berøring med rummet beregnet for udskiftningsbatteriet (kortslutningsfare).

Brug kun C 18 ladeapparater til opladning af System C 18 batterier.

Udskiftningsbatterier og opladere må ikke åbnes og skal opbevares i tørre rum. Beskyt dem mod fugtighed.

I tilfælde af en ekstrem belastning eller ekstrem temperatur kan der flyde batterivæske ud af et beskadedt batteri. Hvis De kommer i berøring med batterivæsken, skal den vaskes godt og grundigt af med vand og sæbe. I tilfælde af øjenkontakt, skal man mindst skylle øjnene godt og grundigt igennem i 10 minutter og omgående opsøge en læge.

TILTÆNKT FORMAL

Båndsavnen kan anvendes til savning af lige snit i forskellige typer af metal, som f.eks. metalprofiler (UniStrut), rør, stolper til mørtelfrit elementbyggeri, kabelkanaler, aluminiumsprofiler, blik, samt.

Produktet må ikke anvendes på anden måde og til andre formål end foreskrevet.

CE-KONFORMITETSERKLÆRING

Vi erklærer under almindeligt ansvar, at dette produkt er i overensstemmelse med følgende normer eller normative dokumenter.

EN 60745-1:2009 + A11:2010

EN 60745-2-20:2009

EN 55014-1:2006 + A1:2009 + A2:2011

EN 55014-2:1997 + A1:2001 + A2:2008

i henhold til bestemmelserne i direktiverne

2011/65/EU (RoHS)

2006/42/EF

2004/108/EF



Winnenden, 2012-10-26

Rainer Kumpf
Manager Product Development

Autoriseret til at udarbejde de tekniske dokumenter.

BATTERI

Nye udskiftningsbatterier opnår deres fulde kapacitet efter 4-5 oplade- og afladecykler. Udskiftningsbatterier, der ikke har været brugt i længere tid, efterlades inden brug.

Ved temperaturer over 50°C forminskes batteriets effekt. Undgå direkte sollys og stærk varme.

Tilslutningskontakterne på oplader og udskiftningsbatterier skal holdes rene.

tages ud af ladeaggregatet efter opladning.

Skal batterierne opbevares længere end 30 dage:

Temperatur ca. 27°C i tørre omgivelser.

Opbevares ved ca. 30%-50% af ladetilstanden.

Batteri skal genoplades hver 6. måned.

OVERBELASTNINGSSIKRING FOR BATTERI

Overbelastes batteriet på grund af meget højt strømforbrug, f.eks. som følge af ekstremt høje drejningsmomenter, fastklemning af bor, pludseligt stop eller kortslutning, brummer el-værktøjet i 2 sekunder og slukker så af sig selv. For at tænde igen slipper du trykknappen og tænder el-værktøjet på ny.

Under ekstreme belastninger kan batteriet blive meget varmt. I så fald kobler batteriet fra.

Sæt batteriet i ladeadapteren for at genoplade det og aktivere det.

VEDLIGEHOLDELSE

Hold altid maskinens ventilationsåbninger rene.

Brug kun Milwaukee-tilbehør og Milwaukee-reservedele. Komponenter, hvor udskiftningsproceduren ikke er beskrevet, skal skiftes ud hos et Milwaukee-servicested (se brochure garanti/kundeserviceadresser).

Ved opgivelse af type nr. der er angivet på maskinens effektskilt, kan De rekvirere en reservedelstegning, ved henvendelse til: Milwaukee Electric Tool, Max-Eyth-Straße 10, D-71364 Winnenden, Germany.

SYMBOLER

Ved arbejde inden i maskinen, bør batteriet tages ud.



Når der arbejdes med maskinen, skal man have beskyttelsesbriller på.



Når der arbejdes med maskinen, skal man have beskyttelsesbriller på.



Elværktøj må ikke bortskaffes som almindeligt affald! I henhold til det europæiske direktiv 2002/96/EF om bortskaffelse af elektriske og elektroniske produkter og gældende national lovgivning skal brugt værktøj indsamles separat og bortskaffes på en måde, der skåner miljøet mest muligt.

TEKNISKE DATA**M12 BS**

Tomgangsturtall	0-85 m/min
Mål sagblad	687,4 x 12,7 x 0,5 mm
Skjæreytelse rektangel profiler	41,3 x 41,3 mm
Skjæreytelse rør	ø 41,3 mm
Spenning vekselbatteri	12 V
Vekt i henhold til EPTA-Prosedyren 01/2003 (Batteri 1,5 Ah)	2,9 kg
Vekt i henhold til EPTA-Prosedyren 01/2003 (Batteri 3,0 Ah)	3,2 kg

Støy/Vibrasjonsinformasjon

Måleverdier fastslått i samsvar med EN 60 745.

Det typiske A-bedømte støynivået for maskinen er:

Lydtryknivå (K=3 dB(A))	74 dB (A)
Lydeffektnivå (K=3 dB(A))	85 dB (A)

Bruk hørselsvern!

Totale svingningsverdier (vektorsum fra tre retninger) beregnet jf. EN 60745.

Svingningsemisjonsverdi a_h	< 2,5 dB (A)
Usikkerhet K=	1,5 dB (A)

ADVARSEL

Svingningsnivået som er angitt i denne instruksjonen er målt i overensstemmelse med målemetoden normert i direktiv EN 60745 og kan brukes til å sammenligne elektromaskiner med hverandre. Den egner seg også for en foreløbig vurdering av svingningsbelastningen.

Det angitte svingningsnivået representerer de hovedsaklige bruk av elektroverktøyet. Men anvendes elektroverktøyet for andre bruk med avvikende utskiftbare verktøy eller vedlikeholdet er utilstrekkelig, kan svingningsnivået være avvikende.

Dette kan forhøye svingningsbelastning betydelig over hele arbeidsperioden. For en nøyaktig vurdering av svingningsbelastningen må også det tas hensyn til tiden apparatet er avslått eller står på, men ikke er i bruk. Dette kan redusere svingningsbelastningen betydelig over hele arbeidsperioden.

Innfør også ekstra sikkerhetstiltak for å beskytte bruker mot utvirkingen av svingningene. Disse kan f.eks. være: vedlikehold av elektroverktøyet og det utskiftbare verktøyet, holde hendene varme, organisasjon av arbeidsforløpet.

⚠ ADVARSEL! Les alle sikkerhetsinstruksjoner og bruksanvisninger, også de i den vedlagte brosjyren. Feil ved overholdelsen av advarslene og nedenstående anvisninger kan medføre elektriske støt, brann og/eller alvorlige skader. **Ta godt vare på alle advarslene og informasjonene.**

SPESEIELLE SIKKERHETSHENVISNINGER

Bruk hørselsvern. Støy kan føre til tap av hørselen.

Hold apparatet i de isolerte holdeflatene, når det arbeides på steder hvor elektroverktøyet kan treffe skjulte strømledninger. Kontakt med en ledning som er under spenning, kan også sette metalldele til apparatet under spenning og føre til et elektrisk slag.

Bruk alltid vernebrille når du arbeider med maskinen. Det anbefales å bruke arbeidshansker, faste og sklisikre sko og forkle.

Spon eller fliser må ikke fjernes mens maskinen er i gang. Sagblad som har sprekker eller som har endret form må ikke brukes!

Plasser styrebøylen alltid mot emnet når du sager.

Maskinen må ikke kobles inn dersom sagbladet berører materialet. Slå først på maskinen og sag deretter i materialet.

Hvis sagbladet klemmes fast, må sagen straks slås av og maskinen trekkes ut av materialet etter at sagbladet er stanset. Maskinen må ikke kobles inn dersom sagbladet fremdeles berører materialet.

Ikke kast brukte vekselbatterier i varmen eller husholdningsavfallet. Milwaukee tilbyr en miljøriktig deponering av gamle vekselbatterier; vennligst spør din fagforhandler.

Ikke oppbevar vekselbatterier sammen med metallgjenstander (kortslutningsfare).

Metalldele må ikke komme inn i innskyvningssjakten for vekselbatterier på ladere (kortslutningsfare).

Vekselbatterier av systemet C 18 skal kun lades med lader av systemet C 18. Ikke lad opp batterier fra andre systemer.

Ikke åpne vekselbatterier og ladere, de skal oppbevares i tørre rom. Beskyttes mot fuktighet.

Under ekstreme belastninger og ekstreme temperaturer kan det lekke ut batterivæske fra utskiftbare batterier. Ved berøring med batterivæske, vask umiddelbart med såpe og vann. Ved kontakt med øynene må øynene skylles grundig i rennende vann i minst 10 minutter. Oppsøk lege umiddelbart.

FORMÅLSMESSIG BRUK

Båndsagen kan brukes til å sage rettlinjert snitt i forskjellige typer metall, som f.eks. Metallprofiler (UniStrut), rør, tørrbyggstativ, kabelkanaler, aluminiumprofiler, metallplater. Dette apparatet må kun brukes til de oppgitte formål.

CE-SAMSVARERKLÆRING

Vi erklærer på eget ansvar at dette produktet stemmer overens med de følgende normer eller normative dokumenter.
 EN 60745-1:2009 + A11:2010
 EN 60745-2-20:2009
 EN 55014-1:2006 + A1:2009 + A2:2011
 EN 55014-2:1997 + A1:2001 + A2:2008
 EN 61000-3-2, EN 61000-3-3
 i henhold til bestemmelsene i direktivene
 2011/65/EU (RoHS)
 2006/42/EF
 2004/108/EF



Winnenden, 2012-10-26

Rainer Kumpf
 Manager Product Development

Autorisert til å utarbeide den tekniske dokumentasjonen

BATTERIER

Nye vekselbatterier når sin fulle kapasitet etter 4-5 lade- og utladesyklus. Vekselbatterier som ikke er brukt over lengre tid skal etterlades før bruk.

En temperatur over 50°C reduserer vekselbatteriets kapasitet. Unngå oppvarming i sol eller ved varmeovner (fyring) i lengre tid.

Hold tilkoplingskontaktene på lader og vekselbatteri rene.

OVERBELASTNINGSVERN FOR OPPLADBARE BATTERIER

Ved overbelastning av det oppladbare batteriet p.g.a. svært høy strømforsyning, for eksempel ved ekstrem høy dreiemoment, fastklemming av boret, plusselig stopp eller kortslutning, brummer elektroverktøyet 2 sekunder og slår seg så automatisk av.

For å slå det på igjen, må man slippe trykkbryteren og så slå på igjen.

Ved ekstreme belastninger kan det oppladbare batteriet bli sterkt opphetet. I slike tilfeller kobler batteriet seg ut. Sett batteriet da i laderen for å få det oppladet og aktivert igjen.

For å sikre en lengst mulig brukstid av batteriene skal disse etter oppladning taes ut av laderen.

Ved lagring av batteriene lengre enn 30 dager:

Lagre batteriet tørt ved ca. 27°C.

Lagre batteriet ved en oppladningstilstand på ca. 30%-50%.

Lade opp batteriet igjen etter 6 måneder.

VEDLIKEHOLD

Hold alltid luftenåpningene på maskinen rene.

Bruk kun Milwaukee tilbehør og Milwaukee reservedeler. Komponenter der utskifting ikke er beskrevet skal skiftes ut hos Milwaukee kundeservice (se brosjyre garanti/kundeserviceadresser).

Ved behov kan du be om en eksplosjonstegning av apparatet hos din kundeservice eller direkte hos Milwaukee Electric Tool, Max-Eyth-Straße 10, D-71364 Winnenden, Germany. Oppgi maskintype og det tilsifrete nummeret på typeskiltet.

SYMBOLER

Ta ut vekselbatteriet før du arbeider på maskinen



Bruk alltid vernebrille når du arbeider med maskinen.



Bruk vernehansker!



Kast aldri elektroverktøy i husholdningsavfallet! I henhold til EU-direktiv 2002/96/EF om kasserte elektriske og elektroniske produkter og direktivets iverksetting i nasjonal rett, må elektroverktøy som ikke lenger skal brukes, samles separat og returneres til et miljøvennlig gjenvinningsanlegg.

TEKNISKA DATA

M12 BS

Öbelastat varvtal.....	0-85 m/min
Dimensioner sågklinga	687,4 x 12,7 x 0,5 mm
Skäreffekt fyrkantiga profiler.....	41,3 x 41,3 mm
Skäreffekt rör.....	ø 41,3 mm
Batterispänning.....	12 V
Vikt enligt EPTA 01/2003 (Batteri 1,5 Ah).....	2,9 kg
Vikt enligt EPTA 01/2003 (Batteri 3,0 Ah).....	3,2 kg

Buller-/vibrationsinformation

Mätvärdena har tagits fram baserade på EN 60 745.

A-värdet av maskinens ljudnivå utgörs:

Ljudtrycksnivå (K=3 dB(A)).....	74 dB (A)
Ljudeffektsnivå (K=3 dB(A)).....	85 dB (A)

Använd hörselskydd!

Totala vibrationsvärden (vektorsumma ur tre riktningar) framtaget enligt EN 60745.

Sågning i trä

Vibrationsemissionsvärde a _w	< 2,5 dB (A)
Onoggrannhet K=.....	1,5 dB (A)

VARNING

Den i de här anvisningarna angivna vibrationsnivån har uppmätts enligt ett i EN 60745 normerat mätförfarande och kan användas vid jämförelse mellan olika elverktyg. Nivån är även lämplig att använda vid en preliminär bedömning av vibrationsbelastningen.

Den angivna vibrationsnivån representerar den huvudsakliga användningen av det aktuella elverktyget. Men om elverktyget ska användas i andra användningsområden, tillsammans med avvikande insatsverktyg eller efter otillräckligt underhåll, kan vibrationsnivån skilja sig. Det kan öka vibrationsbelastningen betydligt under hela arbetstiden.

För att få en exaktare bedömning av vibrationsbelastningen ska även den tid beaktas, under vilken elverktyget är avstängt eller är påslaget, utan att det verkligen används. Det kan reducera vibrationsbelastningen betydligt under hela arbetstiden.

Lägg som skydd för användaren fast extra säkerhetsåtgärder mot vibrationernas verkan, som till exempel: underhåll av elverktyg och insatsverktyg, varmhållning av händer och organisering av arbetsförlopp.

⚠ VARNING! Läs alla säkerhetsanvisningar och andra tillhörande anvisningar, även de i den medföljande broschyren. Fel som uppstår till följd av att anvisningarna nedan inte följts kan orsaka elstöt, brand och/eller allvarliga kroppsskador.

Förvara alla varningar och anvisningar för framtida bruk.

SÄKERHETSUTRUSTNING

Bär hörselskydd. Bullerbelastning kan orsaka hörselskador.

Håll fast apparaten med hjälp av de isolerade greppytorna när du utför arbeten där arbetsverktyget skulle kunna träffa på dolda elledningar. Om man kommer i kontakt med en spänningsförande ledning, så kan även de delar på verktyget som är av metall bli spänningsförande och leda till att man får en elektrisk stöt.

Använd alltid skyddsglasögon, skyddshandskar och hörselskydd.

Avlägsna aldrig spån eller flisor när maskinen är igång.

Spruckna sågklingor eller sådana som förändrat form får ej användas!

Vid sågning skall alltid styrbygeln ligga an mot arbetsstycket.

Starta inte med klingan mot arbetsstycket. Vänta tills klingan nått fullt varvtal innan du påbörjar kapningen.

Om klingan kniper eller om du gör ett uppehåll av någon anledning, släpp strömbrytaren och håll maskinen stilla i materialet tills klingan stannat helt. Återstarta aldrig maskinen med klingan i kontakt med arbetsstycket.

Kasta inte förbrukade batterier. Lämna dem till Milwaukee Tools för återvinning.

Förvara ej batteriet ihop med metallföremål, kortslutning kan uppstå.

Se upp så att inga metallföremål hamnar i laddarens batterischakt, kortslutning kan uppstå.

System C 18 batterier laddas endast i System C 18 laddare. Ladda inte batterier från andra system.

Batterier lagras torrt och skyddas för fukt.

Under extrem belastning eller extrem temperatur kan batterivätska tränga ut ur skadade utbytesbatterier. Vid beröring med batterivätska tvätta genast av med vatten och

tvål. Vid ögonkontakt spola genast i minst 10 minuter och kontakta genast läkare.

ANVÄND MASKINEN ENLIGT ANVISNINGARNA

Bandsågen kan användas för rak kapning i olika typer av metall som t ex metallprofiler (UniStrut), rör, metallstänger, kabelkanaler, aluminiumprofiler, plåtar.

Maskinen får endast användas för angiven tillämpning.

CE-FÖRSÄKRAN

Vi intygar och ansvarar för, att denna produkt överensstämmer med följande norm och dokument
EN 60745-1:2009 + A11:2010
EN 60745-2-20:2009
EN 55014-1:2006 + A1:2009 + A2:2011
EN 55014-2:1997 + A1:2001 + A2:2008
enl. bestämmelser och riktlinjerna
2011/65/EU (RoHS)
2006/42/EG
2004/108/EG



Winnenden, 2012-10-26

Rainer Kumpf
Manager Product Development

Befullmäktigad att sammanställa teknisk dokumentation.

BATTERIER

Nya batterier uppnår max effekt efter 4-5 laddningscykler. Batteri som ej använts på länge måste laddas före nytt bruk.

En temperatur över 50°C reducerar batteriets effekt. Undvik längre uppvärmning tex i solen eller nära ett element.

Se till att anslutningskontaktarna i laddaren och på batteriet är rena.

BATTERI-ÖVERBELASTNINGSSKYDD

Om det uppladdningsbara batteriet överbelastas på grund av mycket hög strömförbrukning, till exempel vid extremt höga vridmoment, fastklämning av borret, plötsligt stopp eller kortslutning, brummar elverktyget i 2 sekunder och stängs sedan av automatiskt.

Släpp därefter först upp tryckknappen och slå sedan på elverktyget igen, om du vill fortsätta bearbetningen.

Vid extrem belastning kan batteriet bli väldigt varmt. I ett sådant fall stängs batteriet av automatiskt.

Sätt då batteriet i laddaren för att ladda upp och aktivera det igen.

För att få en så lång livslängs som möjligt bör laddningsbara batterier avlägsnas från laddaren när de är laddade.

Om laddningsbara batterier lagras längre än 30 dagar:

Lagra batteriet torrt och vid ca 27°C.

Lagra batteriet vid ca 30%-50% av laddningskapaciteten.

Ladda batterierna på nytt var 6:e månad.

SKÖTSEL

Se till att motorhöljets luftslitsar är rena.

Använd endast Milwaukee-tillbehör och Milwaukee-reservdelar. Komponenter, för vilka inget byte beskrivs, skall bytas ut hos Milwaukee-kundtjänst (se broschyren garanti-/kundtjänstadresser).

Vid behov av sprängskiss, kan en sådan, genom att uppge maskinens art. nr. (som finns på typskylten) erhållas från:

Milwaukee Electric Tool, Max-Eyth-Straße 10,
D-71364 Winnenden, Germany.

SYMBOLER



Drag ur batteripaket innan arbete utföres på maskinen.



Använd alltid skyddsglasögon.



Bär skyddshandskar!



Elektriska verktyg får inte kastas i hushållssoporna! Enligt direktivet 2002/96/EG som avser äldre elektrisk och elektronisk utrustning och dess tillämpning enligt nationell lagstiftning ska uttjänta elektriska verktyg sorteras separat och lämnas till miljövänlig återvinning.

TEKNISET ARVOT

M12 BS

Kuormittamaton kierrosnopeus.....	0-85 m/min
Sahanterän mitat	687,4 x 12,7 x 0,5 mm
Suurin leikkausteho suorakulmaiset profiilit.....	41,3 x 41,3 mm
Suurin leikkaustehoputket	Ø 41,3 mm
Jännite vaihtoakku.....	12 V
Paino EPTA-menetelyn 01/2003 mukaan (Akku 1,5 Ah)	2,9 kg
Paino EPTA-menetelyn 01/2003 mukaan (Akku 3,0 Ah)	3,2 kg

Melunpäästö-/tärinä tiedot

Mitta-arvot määritetty EN 60 745 mukaan.

Koneen tyypillinen A-luokitettu melutaso:

Melutaso (K = 3 dB(A))	74 dB (A)
Äänenvoimakkuus (K = 3 dB(A)).....	85 dB (A)

Käytä kuulosuojaimia!

Värähtelyn yhteisarvot (kolmen suunnan vektorisumma) mitattuna EN 60745 mukaan.

Puun sahaaminen

Värähtelyemissioarvo a _h	< 2,5 dB (A)
Epävarmuus K=.....	1,5 dB (A)

VAROITUS

Näissä ohjeissa mainittu värähtelytaso on mitattu EN 60745 -standardin mukaisella mittausmenetelmällä ja sitä voidaan käyttää sähkötyökalujen vertaamiseen. Sitä voidaan käyttää myös värähtelyrasituksen väliaikaiseen arviointiin.

Mainittu värähtelytaso edustaa sähkötyökalun pääasiallista käyttöä. Jos sähkötyökalua kuitenkin käytetään muihin tehtäviin, poikkeavin työkaluin tai riittämättömästi huoltaen, värähtelytaso voi olla erilainen. Se voi korottaa värähtelyrasitusta koko työajan osalta.

Tarkan värähtelyrasituksen toteamiseen tulee ottaa huomioon aika, jona laite on kytketty pois tai on kylläkin päällä, mutta ei käytössä. Se voi pienentää värähtelyrasitusta koko työajan osalta.

Määrittele lisäturvatoimenpiteitä käyttäjän suojaamiseksi värinöiden vaikutukselta, kuten esimerkiksi: sähkötyökalujen ja käyttötöykalujen huolto, käsin lämpiminä pitäminen, työvaiheiden organisaatio.

VAROITUS! Lue kaikki, myös oheistetussa esitteessä annetut turvallisuusmääräykset ja käyttöohjeet.

Turvallisuusohjeiden noudattamisen laiminlyönti saattaa johtaa sähköiskuun, tulipaloon ja/tai vakavaan loukkaantumiseen.

Säilytä kaikki turvallisuus- ja muut ohjeet tulevaisuutta varten.

TURVALLISUUSOHJEET

Käytä korvasuojia. Altistuminen melulle voi vahingoittaa kuuloa.

Pitele laitetta vain eristetyistä tarttumapinnoista, kun suoritat sellaisia töitä, joissa leikkaustyökalu saattaa osua piilossa oleviin sähköjohtoihin. Leikkaustyökalun yhteys jännitteelliseen johtoon saattaa tehdä laitteen metalliset osat jännitteellisiksi ja aiheuttaa sähköiskun.

Käytä laitteella työskennellessäsi aina suojalaseja. Suojakäsineiden, turvallisten ja tukevapohjaisten kenkien, kuulosuojainten ja suojaesiliinan käyttöä suositellaan.

Lastuja tai puruja ei saa poistaa koneen käydessä.

Rikkinäisiä sahanteriä tai sellaisia, jotka ovat muuttaneet muotoaan ei saa käyttää!

Pida sahaustuki aina työkappaletta vasten.

Älä käynnistä konetta sahanterän ollessa kosketuksessa työkappaleeseen. Odota, että terä on saavuttanut täyden nopeuden, ennen sahauksen aloittamista.

Mikäli terää puristaa tai jos keskeytät sahauksen, päästä liipaisin ja odota, kunnes terä on kokonaan pysähtynyt. Älä käynnistä konetta uudelleen, terän ollessa kiinni työkappaleessa.

Käytettyjä vaihtoakkuja ei saa polttaa eikä poistaa normaalin jätehuollon kautta. Milwaukeella on tarjolla vanhoja vaihtoakkuja varten ympäristöystävällinen jätehuoltopalvelu.

Vaihtoakkuja ei saa säilyttää yhdessä metalliesineiden kanssa (oikosulkuvaara).

On varottava, ettei latauslaitteiden vaihtoakkulatauskoloon joutu metalliesineitä (oikosulkuvaara).

Käytä ainoastaan System C 18 latauslaitetta System C 18 akkujen lataukseen. Älä käytä muiden järjestelmien akkuja.

Vaihtoakkuja ja latauslaitteita ei saa avata. Säilytys vain kuivissa tiloissa. Suojattava kosteudelta.

Vaurioituneesta akusta saattaa erityisen kovassa käytössä tai poikkeavassa lämpötilassa vuotaa akkuhappoa. Ihonkohta, joka on joutunut kosketukseen akkuhapon kanssa on viipymättä pestävä vedellä ja saippualla. Silmä, johon on joutunut akkuhappoa, on huuhdeltava vedellä vähintään 10 minuutin ajan, jonka jälkeen on viipymättä hakeuduttava lääkärin apuun.

TARKOITUKSEN MUKAINEN KÄYTTÖ

Vannesahaa voidaan käyttää suoraviivaisen leikkausten tekemiseen eri metallityyppeihin, kuten esim. metalliprofiileihin (UniStrut), putkiin, kuivarakennustelineisiin, kaapelikanaviin, alumiiniprofiileihin, pelteihin, sekä.

Älä käytä tuotetta ohjeiden vastaisesti.

TODISTUS CE-STANDARDIN MUKAISUUDESTA

Todistamme täten ja vastaamme yksin siitä, että tämä tuote on allalueteltujen standardien ja standardoimisasiakirjojen vaatimusten mukainen.

EN 60745-1:2009 + A11:2010

EN 60745-2-20:2009

EN 55014-1:2006 + A1:2009 + A2:2011

EN 55014-2:1997 + A1:2001 + A2:2008

seuraavien sääntöjen mukaisesti

2011/65/EU (RoHS)

2006/42/EY

2004/108/EY



Winnenden, 2012-10-26

Rainer Kumpf
Manager Product Development

Valtuutettu kokoamaan tekniset dokumentit.

AKKU

Uudet vaihtoakut saavuttavat täyden varauskyvyn 4-5 latauksen ja purkauksen jälkeen. Pitkään käyttämättä olleet vaihtoakut on ladattava ennen käyttöä.

Yli 50°C lämpötilassa akun suorituskyky heikkenee. Välttähän akkujen säilyttämistä auringossa tai kuumissa tiloissa.

Pida aina latauslaitteen ja akun kosketinpinnat puhtaina.

AKUN YLIKUORMITUSSUOJAUS

Jos akku ylikuormittuu erittäin suuren virrankulutuksen vuoksi, esim. erittäin suurten vääntömomenttien, poranterän kiinnijuuuttumisen, äkillisen pysähtymisen tai lyhytsulun vuoksi, niin sähkötyökalu surisee 2 sekunnin ajan ja sammuu sitten omatoimisesti.

Käynnistä laite uudelleen päästämällä katkaisinpainike irti ja kytkemällä se sitten uudelleen.

Erittäin suuressa kuormituksessa saattaa akku kuumeta liikaa. Tässä tapauksessa akku kytketty pois.

Työnnä akku sitten latauslaitteeseen ja lataa se jälleen, jotta se aktivoituu.

Mahdollisimman pitkän elinajan takaamiseksi akut tulee poistaa laturista lataamisen jälkeen.

Akkuja yli 30 päivää säilytettäessä:

Säilytä akku yli 27 °C:ssa ja kuivassa.

Säilytä akku sen latauksen ollessa 30 % - 50 %.

Lataa akku 6 kuukauden välein uudelleen.

HUOLTO

Pida moottorin ilmanottoaukot puhtaina.

Käytä ainoastaan Milwaukeen lisätarvikkeita ja Milwaukeee varaosia. Mikäli jokin komponentti, jota ei ole kuvailtu, tarvitsee vaihtoa ota yhteys johonkin Milwaukee palvelupisteistä (kts. listamme takuuhuoltoilikeiden/ palvelupisteiden osoitteista)

Tarpeen vaatiessa voit pyytää lähettämään laitteen kokoonpanopiirustuksen ilmoittamalla arvokilven kymmennumeroisen numeron seuraavasta osoitteesta: Milwaukee Electric Tool, Max-Eyth-Straße 10, D-71364 Winnenden, Germany.

SYMBOLIT



Ota akku pois ennen kaikkia koneeseen tehtäviä toimenpiteitä.



Käytä laitteella työskennellessäsi aina suojalaseja.



Käytä suojakäsineitä!



Älä hävitä sähkötyökalua tavallisen kotitalousjätteen mukana! Vanhoja sähkö- ja elektroniikkalaitteita koskevan EU-direktiivin 2002/96/ETY ja sen maakohtaisten sovellusten mukaisesti käytetyt sähkötyökalut on toimitettava ongelmajätteen keräyspisteeseen ja ohjattava ympäristöystävälliseen kierrätykseen.

ΤΕΧΝΙΚΑ ΣΤΟΙΧΕΙΑ

M12 BS

Αριθμός στροφών χωρίς φορτίο	0-85 m/min
Διαστάσεις λάμας	687,4 x 12,7 x 0,5 mm
μεγ. ισχύς κοπής ορθογώνια προφίλ	41,3 x 41,3 mm
μεγ. ισχύς κοπής Σωλήνης	∅ 41,3 mm
Τάση ανταλλακτικής μπαταρίας	12 V
Βάρος σύμφωνα με τη διαδικασία EPTA 01/2003 (ΜΠΑΤΑΡΙΑ 1,5 Ah).....	2,9 kg
Βάρος σύμφωνα με τη διαδικασία EPTA 01/2003 (ΜΠΑΤΑΡΙΑ 3,0 Ah).....	3,2 kg

Πληροφορίες θορύβου/δονήσεων

Τιμές μέτρησης εξακριβωμένες κατά EN 60 745. Η σύμφωνη με την καμπύλη A εκτιμηθείσα στάθμη θορύβου του μηχανήματος αναφέρεται σε:

Στάθμη ηχητικής πίεσης (K=3 dB(A))	74 dB (A)
Στάθμη ηχητικής ισχύος (K=3 dB(A))	85 dB (A)

Φοράτε προστασία ακοής (ωασιπίδες)!

Υλικές τιμές κραδασμών (άθροισμα διανυσμάτων τριών διευθύνσεων) εξακριβώθηκαν σύμφωνα με τα πρότυπα EN 60745.

Πρόνισμα ξύλων

Τιμή εκπομπής δονήσεων a_h	< 2,5 dB (A)
Ανασφάλεια K=	1,5 dB (A)

ΠΡΟΕΙΔΟΠΟΙΗΣΗ

Το αναφερόμενο σ' αυτές τις οδηγίες επίπεδο δονήσεων έχει μετρηθεί με μια τυποποιημένη σύμφωνα με το EN 60745 μέθοδο μέτρησης και μπορεί να χρησιμοποιηθεί για τη σύγκριση των ηλεκτρικών εργαλείων μεταξύ τους. Αυτό είναι επίσης κατάλληλο για μια προσωρινή εκτίμηση της επιβάρυνση των δονήσεων.

Το αναφερόμενο επίπεδο δονήσεων αντιπροσωπεύει τις κύριες χρήσεις του ηλεκτρικού εργαλείου. Εάν όμως το ηλεκτρικό χρησιμοποιείται σε άλλες χρήσεις, με διαφορετικά εργαλεία εφαρμογής ή ανεπαρκή συντήρηση, μπορεί να υπάρξει απόκλιση του επιπέδου δονήσεων. Αυτό μπορεί να αυξήσει σημαντικά την επιβάρυνση των δονήσεων για τη συνολική διάρκεια της εργασίας.

Για μια ακριβή εκτίμηση της επιβάρυνσης των δονήσεων οφείλουν επίσης να λαμβάνονται υπόψη οι χρόνοι, στους οποίους η συσκευή είναι απενεργοποιημένη ή είναι με ενεργοποιημένη αλλά δεν χρησιμοποιείται πραγματικά. Αυτό μπορεί να μειώσει σημαντικά την επιβάρυνση των δονήσεων για τη συνολική διάρκεια της εργασίας.

Καθορίζετε πρόσθετα μέτρα ασφαλείας για την προστασία του χειριστή από την επίδραση των δονήσεων όπως για παράδειγμα: Συντήρηση του ηλεκτρικού εργαλείου και των εργαλείων εφαρμογής, διατηρείτε ζεστά τα χέρια, οργάνωση των διαδικασιών εργασίας.

▲ ΠΡΟΕΙΔΟΠΟΙΗΣΗ! Διαβάστε όλες τις Υποδείξεις ασφαλείας και τις Οδηγίες, και αυτές στο επισυναπτόμενο φυλλάδιο. Αμέλειες κατά την τήρηση των προειδοποιητικών υποδείξεων μπορεί να προκαλέσουν ηλεκτροπληξία, κίνδυνο πυρκαγιάς ή/και σοβαρούς τραυματισμούς.
Φυλάξτε όλες τις προειδοποιητικές υποδείξεις και οδηγίες για κάθε μελλοντική χρήση.

ΕΙΔΙΚΕΣ ΥΠΟΔΕΙΞΕΙΣ ΑΣΦΑΛΕΙΑΣ

Φοράτε ωασιπίδες. Η επίδραση θορύβου μπορεί να προκαλέσει απώλεια ακοής.

Να πιάνετε τη συσκευή στις μονωμένες χειρολαβές όταν εκτελείτε εργασίες κατά τις οποίες τα κοπτικά εργαλεία θα μπορούσαν να πέσουν επάνω σε κρυμμένα καλώδια ρεύματος. Η επαφή των κοπτικών εργαλείων με αγωγό τροφοδοσίας τάσης μπορεί να θέσει τα μεταλλικά τμήματα της συσκευής υπ' τάση και να προκαλέσει ηλεκτροπληξία.

Στις εργασίες με τη μηχανή φοράτε πάντοτε προστατευτικά γυαλιά. Συνίστανται τα προστατευτικά γάντια, τα σταθερά και αντιολισθητικά παπούτσια και η ποδιά.

Τα γρέζια ή τα σκλήθρες δεν επιτρέπεται να απομακρύνονται με κινούμενη τη μηχανή.

Οι ραγιαμένες προινόλαμες (πριονόδιακοι) ή αυτές που έχουν παραμορφωθεί δεν επιτρέπεται να χρησιμοποιηθούν!

Κατά το πριόνισμα ακουμπάτε το βραχίονα οδήγησης πάντοτε στο επεξεργαζόμενο κομμάτι.

Μην ενεργοποιείτε τη μηχανή, όταν η λεπίδα πριονιού αγγίζει το υλικό. Ενεργοποιείτε πρώτα τη μηχανή και έπειτα πριονίστε στο υλικό.

Σε περίπτωση που μαγκώνει η λεπίδα πριονιού, σβήστε αμέσως τη μηχανή και τραβήξτε τη μηχανή από το υλικό αμέσως μόλις ακινητοποιηθεί η λεπίδα πριονιού. Μην ενεργοποιείτε ποτέ τη μηχανή, αν η λεπίδα πριονιού ακουμπάει ακόμα το υλικό.

Μην πετάτε τις μεταχειρισμένες ανταλλακτικές μπαταρίες στη φωτιά ή στα οικιακά απορρίμματα. Η Milwaukee προσφέρει μια απόσυρση των παλιών ανταλλακτικών μπαταριών σύμφωνα

ΔΗΛΩΣΗ ΠΙΣΤΟΤΗΤΑΣ ΕΚ

Δηλώνουμε με αποκλειστική μας ευθύνη, ότι αυτό το προϊόν ανταποκρίνεται στα ακόλουθα πρότυπα ή έγγραφα τυποποίησης.

EN 60745-1:2009 + A11:2010

EN 60745-2-20:2009

EN 55014-1:2006 + A1:2009 + A2:2011

EN 55014-2:1997 + A1:2001 + A2:2008

EN 61000-3-2, EN 61000-3-3

σύμφωνα με τις διατάξεις των οδηγιών

2011/65/EU (RoHS)

2006/42/EK

2004/108/EKK



Winnenden, 2012-10-26

Rainer Kumpf
Manager Product Development

Εξουσιοδοτημένος να συντάξει τον τεχνικό φάκελο.

ΜΠΑΤΑΡΙΕΣ

Οι νέες ανταλλακτικές μπαταρίες φθάνουν στην πλήρη χωρητικότητά τους μετά από 4-5 κύκλους φόρτισης και εκφόρτισης. Επαναφορτίζετε τις ανταλλακτικές μπαταρίες που δεν έχουν χρησιμοποιηθεί για μεγαλύτερο χρονικό διάστημα πριν τη χρήση.

Μια θερμοκρασία πάνω από 50°C μειώνει την ισχύ της ανταλλακτικής μπαταρίας. Αποφεύγετε τη θέρμανση για μεγαλύτερο χρονικό διάστημα από τον ήλιο ή τις συσκευές θέρμανσης.

Διατηρείτε τις επαφές σύνδεσης στο φορτιστή και στην ανταλλακτική μπαταρία καθαρές.

ΠΡΟΣΤΑΣΙΑ ΥΠΕΡΦΟΡΤΩΣΗΣ ΤΗΣ ΜΠΑΤΑΡΙΑΣ

Σε υπερφόρτωση της μπαταρίας από πολύ υψηλή κατανάλωση ρεύματος, π. χ. από ακραίες υψηλές ροπές περιστροφής, μπλοκάρισμα του τρυπανιού, ξαφνικό στοπ ή βραχυκύκλωμα, βουίζει το ηλεκτρικό εργαλείο για 2 δευτερόλεπτα και απενεργοποιείται αυτόματα.

Για μια νέα ενεργοποίηση, αφήνετε ελεύθερο το διακόπτη και στη συνέχεια ενεργοποιείτε εκ νέου.

Κάτω από ακραίες καταπονήσεις μπορεί η μπαταρία να θερμανθεί πολύ. Στην περίπτωση αυτή η μπαταρία απενεργοποιείται.

Τοποθετείτε στη συνέχεια τη μπαταρία στη συσκευή φόρτισης για να τη φορτίσετε πάλι και να την ενεργοποιήσετε.

Για μια κατά το δυνατόν μεγάλη διάρκεια ζωής οι μπαταρίες μετά τη φόρτιση οφείλουν να αφαιρεθούν από το φορτιστή.

Για την αποθήκευση της μπαταρίας για διάστημα μεγαλύτερο των 30 ημερών:

Αποθηκεύετε τη μπαταρία περ. στους 27°C σε στεγνό χώρο.

Αποθηκεύετε τη μπαταρία περ. στο 30%-50% της κατάστασης φόρτισης.

Κάθε 6 μήνες φορτίζετε εκ νέου τη μπαταρία.

ΣΥΝΤΗΡΗΣΗ

Διατηρείτε πάντοτε τις σχισμές εξαιρισμού στη μηχανή καθαρές.

Χρησιμοποιείτε μόνο πρόσθ. εξαρτήματα Milwaukee και ανταλλακτικά Milwaukee. Κατ'ασκ. τμήματα, που η αλλαγή τους δεν περιγράφεται, αντικαθιστώνται σε μια τεχνική υποστήριξη της Milwaukee (βλέπε φυλλάδιο εγγύηση/δισυθύνσεις τεχνικής υποστήριξης).

Όταν χρειάζεται, μπορείτε να ζητήσετε ένα σχέδιο συναρμολόγησης της συσκευής, δίνοντας τον τύπο της μηχανής και το δεκαψήφιο αριθμό στην πινακίδα ισχύος, από το κέντρο σέρβις ή απευθείας από τη φιλία Milwaukee Electric Tool, Max-Eyth-Strae 10, D-71364 Winnenden, Germany.

ΣΥΜΒΟΛΑ



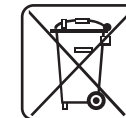
Πριν από κάθε εργασία στη μηχανή αφαιρείτε την ανταλλακτική μπαταρία.



Στις εργασίες με τη μηχανή φοράτε πάντοτε προστατευτικά γυαλιά.



Να φοράτε προστατευτικά γάντια!



Μην πετάτε τα ηλεκτρικά εργαλεία στον κάδο οικιακών απορριμμάτων! Σύμφωνα με την ευρωπαϊκή οδηγία 2002/96/EK περί ηλεκτρικών και ηλεκτρονικών συσκευών και την ενσωμάτωσή της στο εθνικό δίκαιο, τα ηλεκτρικά εργαλεία πρέπει να συλλέγονται ξεχωριστά και να πιστρέφονται για ανακύκλωση με τρόπο φιλικό προς το περιβάλλον.

Boştaki devir sayısı.....	0-85 m/min
Testere levhasının ölçüleri.....	687,4 x 12,7 x 0,5 mm
Maksimum kesme gücü.....	41,3 x 41,3 mm
Maksimum kesme gücü borular.....	ø 41,3 mm
Dikdörtgen profiller kartuş akü gerilimi.....	12 V
Ağırlığı ise EPTA-üretici 01/2003'e göre (Akü 1,5 Ah).....	2,9 kg
Ağırlığı ise EPTA-üretici 01/2003'e göre (Akü 3,0 Ah).....	3,2 kg

Gürültü/Vibrasyon bilgileri

Ölçüm değerleri EN 60 745 e göre belirlenmektedir. Aletin, frekansa bağımlı uluslararası ses basıncı seviyesi değerlendirme eğrisi A'ya göre tipik gürültü seviyesi:

Ses basıncı seviyesi (K=3 dB(A)).....	74 dB (A)
Akustik kapasite seviyesi (K=3 dB(A)).....	85 dB (A)

Koruyucu kulaklık kullanın!

Toplam titreşim değeri (üç yönün vektör toplamı) EN 60745'e göre belirlenmektedir:

Ağaç yontma titreşim emisyon değeri a _p	< 2,5 dB (A)
Tolerans K=.....	1,5 dB (A)

UYARI

Bu talimatlarda belirtilen titreşim seviyesi, EN 60745 standardına uygun bir ölçme metodu ile ölçülmüştür ve elektrikli el aletleri birbirleriyle karşılaştırmak için kullanılabilir. Ölçüm sonuçları ayrıca titreşim yükünün geçici değerlendirmesi için de uygundur.

Belirtilen titreşim seviyesi, elektrikli el aletinin genel uygulamaları için geçerlidir. Ancak elektrikli el aleti başka uygulamalar için, farklı eklenti parçalarıyla ya da yetersiz bakım koşullarında kullanılırsa, titreşim seviyesi farklılık gösterebilir. Bu durumda, titreşim yükü toplam çalışma zaman aralığı içerisinde belirgin ölçüde yükselebilir.

Titreşim yükünün tam bir değerlendirmesi için ayrıca cihazın kapalı olduğu süreler ve cihazın çalışır durumda olduğu, ancak gerçek kullanımda bulunmadığı süreler de dikkate alınmalıdır. Böylelikle, toplam çalışma zamanı aralığı boyunca meydana gelen titreşim yükü belirgin ölçüde azaltılabilir.

Kullanıcıyı titreşimlerin etkisinden korumak üzere, örneğin elektrikli el aletlerinin ve eklenti parçalarının bakımı, ellerin sıcak tutulması ve iş aşılarının organizasyonu gibi ek güvenlik tedbirleri belirleyiniz.

UYARI! Güvenlikle ilgili bütün açıklamaları, talimatları ve ilişikteki broşürde yazılı bulunan hususları okuyunuz. Açıklanan uyarılara ve talimat hükümlerine uyulmadığı takdirde elektrik çarpmalarına, yangınlara ve/veya ağır yaralanmalara neden olunabilir. **Bütün uyarıları ve talimat hükümlerini ileride kullanmak üzere saklayın.**

GÜVENLİĞİNİZ İÇİN TALİMATLAR

Koruyucu kulaklık kullanın. Çalışırken çıkan gürültü işitme kayıplarına neden olabilir.

Kesme aletinin eğrilmiş elektrik kabloları isabet eden çalışmalar yapılırken cihazı izole edilmiş kollarından tutun. Kesme aletinin içinden elektrik akımı geçen kablo ile temas etmesi durumunda elektrik akımı cihazın metal kısımlarına geçer ve elektrik çarpmasına sebebiyet verebilir.

Aletle çalışırken daima koruyucu gözlük kullanın. Koruyucu iş eldivenleri, sağlam ve kaymaz ayakkabılar ve iş önlüğü kullanmanızı tavsiye ederiz.

Alet çalışır durumda iken talaş ve kırpıntıları temizlemeye çalışmayın.

Çatlamış ve deforme olmuş testere bıçaklarını kullanmayın! Kesme işlemi sırasında kılavuz kolu daima iş parçası üzerine dayayın.

Testere bıçağı malzemeye temas ederken aleti çalıştırmayın. Önce aleti çalıştırın, sonra malzemeyi kesin.

Testere bıçağı sıkışacak olursa aleti hemen kapatın, testere bıçağı tam olarak durduktan sonra aleti malzeme içinden çıkarın. Testere bıçağı malzemeye temas ederken aleti asla tekrar çalıştırmayın.

Kullanılmış kartuş aküleri ateşe veya ev çöplerine atmayın. Milwaukee, kartuş akülerin çevreye zarar vermeyecek biçimde tasfiye edilmesine olanak sağlayan hizmet sunar; lütfen bu konuda yetkili satıcınızdan bilgi alın.

Kartuş aküleri metal parça veya eşyalarla birlikte saklamayın (kısa devre tehlikesi).

Şarj cihazının kartuş akü yuvasına hiçbir şekilde metal parçalar kaçmamalıdır (kısa devre tehlikesi).

C 18 sistemli kartuş aküleri sadece C 18 sistemli şarj cihazları ile şarj edin. Başka sistemli aküleri şarj etmeyin.

Kartuş aküleri ve şarj cihazını açmayın ve sadece kuru yerlerde saklayın. Neme ve ıslanmaya karşı koruyun.

Aşırı zorlanma veya aşırı ısınma sonucu hasar gören kartuş akülerden batarya sıvısı dışarı akabilir. Batarya sıvısı ile temasa gelen yerleri hemen bol su ve sabunla yıkayın. Batarya sıvısı gözünüze kaçacak olursa en azından 10 dakika yıkayın ve zaman geçirmeden bir hekime başvurun.

KULLANIM

Bant testereleeri örneğin metal profiller (ÜniStrut), boru, kurutma ayakları, kablo kanalları, alüminyum profiller, saç gibi düz kesimli cisimlerin ile kullanılır, tahta.

Bu alet sadece belirtildiği gibi ve usulüne uygun olarak kullanılabilir.

GE UYGUNLUK BEYANI

Tek sorumlu olarak bu ürünün aşağıdaki normlara ve norm dokümanlarına uygunluğunu beyan ederiz:

EN 60745-1:2009 + A11:2010

EN 60745-2-20:2009

EN 55014-1:2006 + A1:2009 + A2:2011

EN 55014-2:1997 + A1:2001 + A2:2008

yönetmelik hükümleri

2011/65/EU (RoHS)

2006/42/EC

2004/108/EC.



Winnenden, 2012-10-26

Rainer Kumpf
Manager Product Development

Teknik evrakları hazırlamakla görevlendirilmiştir.

Yeni kartuş aküler ancak 4-5 şarj/deşarj işleminden sonra tam kapasitelerine ulaşırlar. Uzun süre kullanım dışı kalmış kartuş aküleri kullanmadan önce şarj edin.

50°C üzerindeki sıcaklıklar kartuş akünün performansını düşürür. Akünün güneş ışığı veya mekân sıcaklığı altında uzun süre ısınmamasına dikkat edin.

Şarj cihazı ve kartuş aküdeki bağlantı noktalarını temiz tutun.

AKÜNÜN AŞIRI YÜKLENMEYE KARŞI KORUNMASI

Pek fazla elektrik tüketimi yapılmak suretiyle aküye fazla yüklenildiğinde, örneğin aşırı devir momentleri, matkap sıkıştırması, aniden durma veya kısa devre, elektrikli alet 2 saniye garip sesler çıkarır ve kendiliğinden durur.

Aleti yeniden çalıştırmak için şalter bası kolunu serbest bırakın ve bundan sonra tekrar çalıştırın. Aşırı yüklenme durumunda ise akü pek fazla ısınır. Bu durumda akü kendiliğinden durur. Aküyü tekrar doldurmak ve aktif hale getirmek amacı ile şarja bağlayın.

Ömrünün mümkün olduğu kadar uzun olması için akülerin yüklemeye yapıldıktan sonra doldurma cihazından uzaklaştırılması gerekir.

Akünün 30 günden daha fazla depolanması halinde:

Aküyü takriben 27°C'de kuru olarak depolayın.

Aküyü yükleme durumunun takriben % 30 - %50 olarak depolayın.

Aküyü her 6 ay yeniden doldurun.

BAKIM

Aletin havalandırma aralıklarını daima temiz tutun.

Sadece Milwaukee aksesuarı ve yedek parçası kullanın. Nasıl değiştirileceği açıklanmamış olan yapı parçalarını bir Milwaukee müşteri servisinde değiştirin (Garanti ve servis adresi broşürüne dikkat edin).

Gerektiği takdirde aletin dağınık görünüş şeması, alet tipinin ve tip etiketi üzerindeki on hanelik sayının bildirilmesi koşuluyla müşteri servisinden veya doğrudan Milwaukee Electric Tool, Max-Eyth-Straße 10, D-71364 Winnenden, Germany adresinden istenebilir.

SEMBOLLER

Aletin kendinde bir çalışma yapmadan önce kartuş aküyü çıkarın.



Aletle çalışırken daima koruyucu gözlük kullanın.



Koruyucu eldivenlerinizi takınız!



Elektrikli el aletlerini evdeki çöp kutusuna atmayınız! Kullanılmış elektrikli aletleri, elektrik ve elektronik eski cihazlar hakkındaki 2002/96/EC Avrupa yönergelerine göre ve bu yönergeler ulusal hukuk kurallarına göre uyarlanarak, ayrı olarak toplanmalı ve çevre şartlarına uygun bir şekilde tekrar değerlendirilmeye gönderilmelidir.

Počet otáček při běhu naprázdno.....	0-85 m/min
Rozměry pilového listu	687,4 x 12,7 x 0,5 mm
Max. řezný výkon pravouhlé profily	41,3 x 41,3 mm
Max. řezný výkon trubky.....	ø 41,3 mm
Napětí výměnného akumulátoru.....	12 V
Hmotnost podle prováděcího předpisu EPTA 01/2003 (Akumulátory 1,5 Ah)	2,9 kg
Hmotnost podle prováděcího předpisu EPTA 01/2003 (Akumulátory 3,0 Ah)	3,2 kg

Informace o hluku / vibracích

Naměřené hodnoty odpovídají EN 60 745.

V třídě A posuzovaná hladina hluku přístroje činí typicky:

Hladina akustického tlaku (K=3dB(A))	74 dB (A)
Hladina akustického výkonu (K=3dB(A))	85 dB (A)

Používejte chrániče sluchu !

Celkové hodnoty vibrací (vektorový součet tří směrů) zjištěné ve smyslu EN 60745.

Řezání dřeva

Hodnota vibračních emisí a _v	< 2,5 dB (A)
Kolisavost K=	1,5 dB (A)

VAROVÁNÍ

Úroveň chvění uvedená v tomto návodu byla naměřena podle metody měření stanovené normou EN 60745 a může být použita pro porovnání elektrického nářadí. Hodí se také pro průběžný odhad zatížení chvěním.

Uvedená úroveň chvění představuje hlavní účely použití elektrického nářadí. Jestliže se ale elektrické nářadí používá pro jiné účely, s odlišnými nástroji nebo s nedostatečnou údržbou, může se úroveň chvění odlišovat. To může značně zvýšit zatížení chvěním během celé pracovní doby.

Pro přesný odhad zatížení chvěním se musí také zohlednit časy, během kterých je přístroj vypnutý nebo kdy je sice v chodu, ale skutečně se s ním nepracuje. To může zatížení chvěním během celé pracovní doby značně snížit.

Stanovte doplňková bezpečnostní opatření pro ochranu obsluhy před účinky chvění jako například: technická údržba elektrického nářadí a nástrojů, udržování teploty rukou, organizace pracovních procesů.

VAROVÁNÍ! Seznamte se se všemi bezpečnostními pokyny a sice i s pokyny v příložené brožuře. Zanedbání při dodržování varovných upozornění a pokynů mohou mít za následek úder elektrickým proudem, požár a/nebo těžká poranění.

Všechna varovná upozornění a pokyny do budoucna uschovejte.

SPECIÁLNÍ BEZPEČNOSTNÍ UPOZORNĚNÍ

Používejte chrániče sluchu. Působením hluku může dojít k poškození sluchu.

Při provádění prací, při kterých nástroj může narazit na skryta elektrická vedení, držte přístroj za izolované přidržovací plošky. Kontakt řezného nástroje s vedením pod napětím může vést k přenosu napětí na kovové části přístroje a k úrazu elektrickým proudem.

Při práci se strojem neustále nosit ochranné brýle. Doporučuje se používat ochranné rukavice, pevnou protiskluzovou obuv a zástěru.

Pokud stroj běží, nesmí být odstraňovány třísky nebo odštěpky.

Popraskané nebo zdeformované pilové listy nesmí být používány!

Při řezání přiložte na kus vodící úhelník.

Nezapínejte stroj, když je kotouč v kontaktu s materiálem. Nejprve stroj zapněte a potom zařadíte do materiálu.

Dojde-li k sevření pilového kotouče, ihned vypněte stroj a potom vytáhněte kotouč z materiálu. Nikdy znovu nespouštějte stroj je-li kotouč ještě v materiálu.

Použitě nevyhazujte do domovního odpadu nebo do ohně. Milwaukee nabízí ekologickou likvidaci starých článků, ptejte se u vašeho obchodníka s nářadím.

Náhradní akumulátor neskladujte s kovovými předměty, nebezpečí zkratu.

V nabíjecím postu nabíječky neskladujte kovové předměty, nebezpečí zkratu.

Akumulátor systému C 18 nabíjejte pouze nabíječkou systému C 18. Nenabíjejte akumulátory jiných systémů.

Náhradní akumulátory ani nabíječku neotvírejte, skladujte je v suchu, chraňte před vlhkem.

Při extrémní zátěži či vysoké teplotě může z akumulátoru vytékat kapalina. Při zasažení touto kapalinou okamžitě zasažená místa omyjte vodou a mýdlem. Při zasažení očí okamžitě důkladně po dobu alespoň 10min. omývat a neodkládně vyhledat lékaře.

OBLAST VYUŽITÍ

Pásovou pilu lze nasadit k přímočarým řezům v různých druzích kovových materiálu jako například ocelových profílech, (UniStrut), trubkách, stojácích pro suchou montáž, kabelových kanálech, hliníkových profílech, plechu.

Toto zařízení lze používat jen pro uvedený účel.

CE-PROHLÁŠENÍ O SHODĚ

Se vši zodpovědností prohlašujeme, že tento výrobek odpovídá následujícím normám a normativním dokumentům:

EN 60745-1:2009 + A11:2010

EN 60745-2-20:2009

EN 55014-1:2006 + A1:2009 + A2:2011

EN 55014-2:1997 + A1:2001 + A2:2008

EN 61000-3-2, EN 61000-3-3

v souladu se směrnice EHS č.

2011/65/EU (RoHS)

2006/42/ES

2004/108/ES



Winnenden, 2012-10-26

Rainer Kumpf
Manager Product Development

Zplnomocněn k sestavování technických podkladů.

AKUMULÁTORY

Nový akumulátor dosáhne plné kapacity po 4 - 5 nabíjecích cyklech. Déle nepoužívané akumulátory je nutné před použitím znovu nabít.

Teplota přes 50°C snižuje výkon akumulátoru. Chraňte před dlouhým přehříváním na slunci či u topení.

Kontakty nabíječky a akumulátoru udržujte v čistotě.

OCHRANA PROTI PŘETÍŽENÍ AKUMULÁTORU

Při přetížení akumulátoru příliš vysokým odběrem proudu, například při extrémně vysokých točivých momentech, při blokování vrtáku, náhlém zastavení nebo zkratu, začne vrtáčka na 2 sekundy bruchet a poté se samočinně vypne.

K opětovnému zapnutí uvolněte spínací tlačítko a poté jej opět zapněte.

Při extrémním zatížení se akumulátor může silně zahřát.

Dojde-li k tomu, akumulátor se vypne.

Akumulátor v tomto případě k dobití a aktivaci vložte opět do nabíječky.

K zabezpečení dlouhé životnosti by se akumulátory měly po nabití vyjmout z nabíječky.

Při skladování akumulátoru po dobu delší než 30 dní:

Skladujte akumulátor v suchu při cca 27°C.

Skladujte akumulátor při cca 30%-50% nabíjecí kapacity.

Opakujte nabíjení akumulátoru každých 6 měsíců.

ÚDRŽBA

Větrací štěrbiny nářadí udržujeme stále čisté.

Používat výhradně příslušenství Milwaukee a náhradní díly Milwaukee. Díly jejichž výměny nebyla popsána, nechte vyměnit v autorizovaném servisu (viz: "Záruky / Seznam servisních míst")

Při potřebě podrobného rozkresu konstrukce, oslovte informaci o typu a desetimístním objednacím čísle přímo servis a nebo výrobce, Milwaukee Electric Tool, Max-Eyth-Straße 10, D-71364 Winnenden, Germany.

SYMBOLY

Před zahájením veškerých prací na vrtacím šroubováků vyjmout výměnný akumulátor.



Při práci se strojem neustále nosit ochranné brýle.



Používejte ochranné rukavice!



Elektrické nářadí nevyhazujte do komunálního odpadu! Podle evropské směrnice 2002/96/EG o nakládání s použitými elektrickými a elektronickými zařízeními a odpovídajících ustanovení právních předpisů jednotlivých zemí se použitá elektrická nářadí musí sbírat odděleně od ostatního odpadu a podrobit ekologicky šetrnému recyklování.

TECHNICKÉ ÚDAJE

M12 BS

Otáčky naprázdno	0-85 m/min
Rozmery pílového listu	687,4 x 12,7 x 0,5 mm
Max. rezný výkon pravouhlé profily	41,3 x 41,3 mm
Max. rezný výkon rúrky	Ø 41,3 mm
Napätie výmenného akumulátora	12 V
Hmotnosť podľa vykonávacieho predpisu EPTA 01/2003 (Akumulátor 1,5 Ah)	2,9 kg
Hmotnosť podľa vykonávacieho predpisu EPTA 01/2003 (Akumulátor 3,0 Ah)	3,2 kg

Informácia o hluku / vibráciách

Namerané hodnoty určené v súlade s EN 60 745.

V triede A posudzovaná hladina hluku prístroja činí typicky:

Hladina akustického tlaku (K=3 dB(A))	74 dB (A)
Hladina akustického výkonu (K=3 dB(A))	85 dB (A)

Používajte ochranu sluchu!

Celkové hodnoty vibrácií (vektorový súčet troch smerov) zistené v zmysle EN 60745.

Režanie dreva

Hodnota vibračných emisí a _h	< 2,5 dB (A)
Koľisavosť K=	1,5 dB (A)

POZOR

Úroveň vibrácií uvedená v týchto pokynoch bola nameraná meracou metódou, ktorú stanovuje norma EN 60745 a je možné ju použiť na vzájomné porovnanie elektrického náradia. Hodí sa aj na predbežné posúdenie kmitavého namáhania.

Uvedená úroveň vibrácií reprezentuje hlavné aplikácie elektrického náradia. Ak sa však elektrické náradie používa pre iné aplikácie, s odlišnými vloženými nástrojmi alebo s nedostatočnou údržbou, môže sa úroveň vibrácií líšiť. Toto môže kmitavé namáhanie v priebehu celej pracovnej doby podstatne zvýšiť.

Pre presný odhad kmitavého namáhania by sa mali tiež zohľadniť doby, v ktorých je náradie vypnuté alebo je síce v chode, ale v skutočnosti sa nepoužíva. Toto môže kmitavé namáhanie v priebehu celej pracovnej doby zreteľne redukovávať.

Stanovte dodatočné bezpečnostné opatrenia pre ochranu obsluhy pred účinkami vibrácií, ako napríklad: údržba elektrického náradia a vložených nástrojov, udržiavanie teploty rúk, organizácia pracovných postupov.

⚠ POZOR! Zoznámte sa so všetkými bezpečnostnými pokynmi a síce aj s pokynmi v priloženej brožúre.

Zanedbanie dodržiavania Výstražných upozornení a pokynov uvedených v nasledujúcom texte môže mať za následok zásah elektrickým prúdom, spôsobiť požiar a/alebo ťažké poranenie.

Tieto výstražné upozornenia a bezpečnostné pokyny starostlivo uschovajte na budúce použitie.

ŠPECIÁLNE BEZPEČNOSTNÉ POKYNY

Používajte ochranu sluchu. Pôsobenie hluku môže spôsobiť stratu sluchu.

Pri realizovaní prác, pri ktorých nástroj môže naraziť na skryté elektrické vedenia, držte prístroj za izolované pridrôzovacie plošky. Kontakt rezného nástroja s vedením pod napätím môže viesť k prenosu napätia na kovové časti prístroja a k úrazu elektrickým prúdom.

Pri práci so strojom vždy noste ochranné okuliare. Odporúčame ochranné rukavice, pevnú protišmykovú obuv a zásteru.

Triesky alebo úlomky sa nesmú odstraňovať za chodu stroja.

Popraskané pílové listy alebo také, ktoré zmenili tvar, nesmú sa použiť.

Vodiaci oblúk musí pri pílení vždy doliehať na obrobok.

Stroj nespúšťať ak sa pílový list dotýka materiálu. Stroj najprv spustiť a až potom zarezat do materiálu

Ak by sa pílový list spriečil, stroj okamžite vypnúť a po úplnom zastavení pílového listu z materiálu vytiahnuť. Stroj nikdy znovu nezapínať, pokiaľ sa pílový list dotýka materiálu.

Opatrebované výmenné akumulátory nezhadzujte do ohňa alebo medzi domový odpad. Milwaukee ponúka likvidáciu starých výmenných akumulátorov, ktorá je v súlade s ochranou životného prostredia; informujte sa u Vášho predajcu.

Výmenné akumulátory neskladovať spolu s kovovými predmetmi (nebezpečenstvo skratu).

Do zasúvacieho otvoru pre výmenné akumulátory na nabíjacom zariadení, sa nesmú dostať žiadne kovové predmety (nebezpečenstvo skratu).

Výmenné akumulátory systému C 18 nabíjať len nabíjacími zariadeniami systému C 18. Akumulátory iných systémov týmito zariadením nenabíjať.

Výmenné akumulátory a nabíjacie zariadenia neotvárať a skladovať len v suchých priestoroch. Chrániť pred vlhkosťou.

Pri extrémnych záťažach alebo extrémnych teplotách môže dôjsť k vytekaniu batérovej tekutiny z poškodeného výmenného akumulátora. Ak dôjde ku kontaktu pokožky s roztokom, postihnuté miesto umyť vodou a mydlom. Ak sa roztok dostane do očí, okamžite ich dôkladne vypláchnuť po dobu min. 10 min a bezodkladne vyhľadať lekára.

POUŽITIE PODĽA PREDPISOV

Pásová píla je nasaditeľná pre uskutočňovanie priamočiarych rezov v rôznych druhoch kovových materiálov, ako sú napr. kovové profily (UniStrut), rúry, stojiny pre suché montáže, kábelové kanály, hliníkové profily, plechy, a hodi.

Tento prístroj sa smie používať len v súlade s uvedenými predpismi.

CE - VYHLÁSENIE KONFORMITY

Vyhlasujeme v našej výhradnej zodpovednosti, že tento produkt zodpovedá nasledovným normám alebo normatívnym dokumentom.

EN 60745-1:2009 + A11:2010

EN 60745-2-20:2009

EN 55014-1:2006 + A1:2009 + A2:2011

EN 55014-2:1997 + A1:2001 + A2:2008

EN 61000-3-2, EN 61000-3-3

podľa predpisov smerníc

2011/65/EU (RoHS)

2006/42/EC

2004/108/EC



Winnenden, 2012-10-26

Rainer Kumpf
Manager Product Development

Splnomocnený zostaviť technické podklady.

AKUMULÁTORY

Nové výmenné akumulátory dosiahnu svoju maximálnu kapacitu po 4-5 nabitíach a vybitiach. Dlhší čas nepoužívané výmenné akumulátory pred použitím dobiť.

Teplota vyššia ako 50°C znižuje výkon výmenného akumulátora. Zabráňte dlhšiemu ohriatiu slnkom alebo kúrením.

Pripájacie kontakty na nabíjacom zariadení a výmennom akumulátore udržiavať čisté.

OCHRANA PROTI PREŤAŽENIU AKUMULÁTORA

Pri preťažení akumulátora príliš vysokým odberom prúdu, napríklad pri extrémne vysokých ťočivých momentoch, pri blokovaní vrtáka, náhlom zastavení alebo skrate, začne vrtáčka na 2 sekundy hučať a potom sa samočinne vypne. K opätovnému zapnutiu uvoľnite spínacie tlačidlo a potom ho opäť zapnite.

Pri extrémnom zaťažení sa akumulátor môže silne zahriať. Ak k tomu dôjde, akumulátor sa vypne.

Akumulátor v tomto prípade k dobitiu a aktivácii vložte opäť do nabíjačky.

K zabezpečeniu dlhej životnosti by sa akumulátory mali po nabití vybrať z nabíjačky.

Pri skladovaní akumulátora po dobu dlhšiu než 30 dní:

Skladujte akumulátor v suchu pri cca 27°C.

Skladujte akumulátor pri cca 30%-50% nabíjacej kapacity.

Opakujte nabíjanie akumulátora každých 6 mesiacov.

ÚDRZBA

Vetracie otvory udržiavať stále v čistote.

Používať len Milwaukee príslušenstvo a Milwaukee náhradné diely. Súčiastky bez návodu na výmenu treba dať vymeniť v jednom z Milwaukee zákaznických centier (viď brožúru Záruka/Adresy zákaznických centier).

Pri udaní typu stroja a desaťmiestneho čísla nachádzajúceho sa na štítku dá sa v prípade potreby vyžiadať explozívna schéma prístroja od Vášho zákaznického centra alebo priamo v Milwaukee Electric Tool, Max-Eyth-Straße 10, D-71364 Winnenden, Germany.

SYMBOLY



Pred každou prácou na stroji výmenný akumulátor vytiahnuť.



Pri práci so strojom vždy noste ochranné okuliare.



Používajte ochranné rukavice!



Elektrické náradie nevyhadzujte do komunálneho odpadu! Podľa európskej smernice 2002/96/EG o nakladaní s použitými elektrickými a elektronickými zariadeniami a zodpovedajúcich ustanovení právnych predpisov jednotlivých krajín sa použité elektrické náradie musí zbierať oddelene od ostatného odpadu a podrobiť ekologicky šetrnej recyklácii.

DANE TECHNICZNE**M12 BS**

Prędkość bez obciążenia.....	0-85 m/min
Wymiary brzeszczotu.....	687,4 x 12,7 x 0,5 mm
Maksymalna wydajność cięcia profile prostokątne.....	41,3 x 41,3 mm
Maksymalna wydajność cięcia rury.....	∅ 41,3 mm
Napięcie baterii akumulatorowej.....	12 V
Ciężar wg procedury EPTA 01/2003 (Akumulator 1,5 Ah).....	2,9 kg
Ciężar wg procedury EPTA 01/2003 (Akumulator 3,0 Ah).....	3,2 kg

Informacja dotycząca szumów/wibracji

Zmierzone wartości wyznaczone zgodnie z normą EN 60 745.

Poziom szumów urządzenia oszacowany jako A wynosi typowo:

Poziom ciśnienia akustycznego (K = 3 dB(A)).....	74 dB (A)
Poziom mocy akustycznej (K = 3 dB(A)).....	85 dB (A)

Należy używać ochroniaczy uszu!

Wartości łączne drgań (suma wektorowa trzech kierunków)

wyznaczone zgodnie z normą EN 60745

Piłowanie drewna

Wartość emisji drgań a_{hv}	< 2,5 dB (A)
Niepewność K=.....	1,5 dB (A)

OSTRZEŻENIE

Podany w niniejszych instrukcjach poziom drgań został zmierzony za pomocą metody pomiarowej zgodnej z normą EN 60745 i może być użyty do porównania ze sobą elektronarzędzi. Nadaje się on również do tymczasowej oceny obciążenia wibracyjnego.

Podany poziom drgań reprezentuje główne zastosowania elektronarzędzia. Jeśli jednakże elektronarzędzie użyte zostanie do innych celów z innym narzędziami roboczymi lub nie jest dostatecznie konserwowane, wtedy poziom drgań może wykazywać odchylenia. Może to wyraźnie zwiększyć obciążenie wibracjami przez cały okres pracy.

Dla dokładnego określenia obciążenia wibracjami należy uwzględnić również czasy, w których urządzenie jest wyłączone względnie jest włączone, lecz w rzeczywistości nie pracuje. Może to spowodować wyraźną redukcję obciążenia wibracyjnego w całym okresie pracy.

Należy wprowadzić dodatkowe środki zapobiegawcze celem ochrony obsługującego przed oddziaływaniem drgań, jak na przykład: konserwacja narzędzi roboczych i elektronarzędzi, nagrzanie rąk, organizacja przebiegu pracy.

▲ OSTRZEŻENIE! Prosimy o przeczytanie wskazówek bezpieczeństwa i zaleceń, również tych, które zawarte są w załączonej broszurze. Błędy w przestrzeganiu poniższych wskazówek mogą spowodować porażenie prądem, pożar i/lub ciężkie obrażenia ciała.
Należy starannie przechowywać wszystkie przepisy i wskazówki bezpieczeństwa dla dalszego zastosowania.

INSTRUKCJE DOTYCZĄCE BEZPIECZEŃSTWA

Stosować środki ochrony słuchu! Narażenie na hałas może spowodować utratę słuchu.

Trzymaj urządzenie za izolowane powierzchnie chwytne gdy wykonujesz roboty, w trakcie których narzędzie skrawające może natrafić na ukryte przewody prądowe. Styczność narzędzia skrawającego z będącym pod napięciem przewodem może spowodować podłączenie części metalowych urządzenia do napięcia i prowadzić do porażenia prądem elektrycznym.

Podczas pracy należy zawsze nosić okulary ochronne.

Zalecane jest także noszenie rękawic, mocnego, nie ślizgającego się obuwia oraz ubrania roboczego.

Podczas pracy elektronarzędzia nie wolno usuwać trocin ani drzazg.

Nie używać pękniętych lub zniekształconych brzeszczotów!

Podczas cięcia prowadnica musi się zawsze stykać z obrabianym materiałem.

Nie uruchamiać ostrza stykającego się z przedmiotem obrabianym. Oczekać, aż ostrze osiągnie pełną prędkość przed rozpoczęciem cięcia.

W przypadku zakleszczania się ostrza lub przy przerwaniu cięcia z jakiegokolwiek powodu zwolnić spust i trzymać piłę nieruchomo w materiale aż do całkowitego zatrzymania ostrza. Nigdy nie uruchamiać elektronarzędzia, gdy ostrze styka się z przedmiotem obrabianym.

Zużytych akumulatorów nie wolno wrzucać do ognia ani traktować jako odpadów domowych. Milwaukee oferuje ekologiczną utylizację zużytych akumulatorów.

Nie przechowywać akumulatorów wraz z przedmiotami metalowymi (niebezpieczeństwo zwarcia).

Do ładowarki nie wolno wkładać żadnych przedmiotów metalowych (niebezpieczeństwo zwarcia).

Akumulatory Systemu C 18 należy ładować wyłącznie przy pomocy ładowarek Systemu C 18. Nie ładować przy pomocy tych ładowarek akumulatorów innych systemów.

Nie otwierać wkładek akumulatorowych i ładowarek. Przechowywać w suchych pomieszczeniach. Chronić przed wilgocią.

W skrajnych warunkach temperaturowych lub przy bardzo dużym obciążeniu może dochodzić do wycieku kwasu akumulatorowego z uszkodzonych baterii akumulatorowych. W przypadku kontaktu z kwasem akumulatorowym należy natychmiast przemyć miejsce kontaktu wodą z mydłem. W przypadku kontaktu z oczami należy dokładnie przepłukiwać oczy przynajmniej przez 10 minut i zwrócić się natychmiast o pomoc medyczną.

WARUNKI UŻYTKOWANIA

Piła taśmowa może być stosowana do cięcia prostoliniowego różnych rodzajów metali jak np. kształtowniki metalowe (UniStrut), rury, stojaki do montażu na sucho, kanały kablowe, profile aluminiowe, blachy.

Produkt można użytkować wyłącznie zgodnie z jego normalnym przeznaczeniem.

DEKLARACJA ZGODNOŚCI CE

Oświadczamy z pełną odpowiedzialnością, że produkt ten odpowiada wymaganiom następujących norm i dokumentów normatywnych

EN 60745-1:2009 + A11:2010

EN 60745-2-20:2009

EN 55014-1:2006 + A1:2009 + A2:2011

EN 55014-2:1997 + A1:2001 + A2:2008

niami dyrektyw

2011/65/EU (RoHS)

2006/42/WE

2004/108/WE



Winnenden, 2012-10-26

Rainer Kumpf

Manager Product Development

Upełnomocniony do zestawienia danych technicznych

BATERIE AKUMULATOROWE

Nowe baterie akumulatorowe osiągają swoją pełną pojemność po 4 - 5 cyklach ładowania i rozładowywania. Akumulatory, które nie były przez dłuższy czas użytkowane, należy przed użyciem naładować.

W temperaturze powyżej 50°C następuje spadek osiągniętych wkładki akumulatorowej. Unikaj długotrwałego wystawienia na oddziaływanie ciepła lub promieni słonecznych (niebezpieczeństwo przegrzania).

Styki ładowarek i wkładek akumulatorowych należy utrzymywać w czystości

ZABEZPIECZENIE PRZECIĄŻENIOWE AKUMULATORA

Przy przeciążeniu akumulatora bardzo dużym prądem na przykład wskutek ekstremalnie dużych momentów obrotowych, zakleszczenia wiertła, nagłego zatrzymania się lub zwarcia narzędzie elektryczne 'buczy' przez 2 sekundy i samoczynnie wyłącza się.

W celu ponownego włączenia należy zwolnić, a następnie ponownie włączyć przycisk wyłącznika.

Pod ekstremalnymi obciążeniami może dojść do silnego nagrzania się akumulatora. W takim wypadku akumulator wyłącza się.

Wówczas należy wetknąć akumulator do ładowarki, aby go ponownie naładować i aktywować.

Dla zapewnienia możliwie długiej żywotności akumulatory należy wyjąć z ładowarki po ich naładowaniu.

W przypadku składowania akumulatorów dłużej aniżeli 30 dni: Przechowywać je w suchym miejscu w temperaturze ok. 27°C.

Przechowywać je w stanie naładowanym do ok. 30% - 50%.

Ładować je ponownie co 6 miesięcy.

UTRZYMANIE I KONSERWACJA

Otwory wentylacyjne elektronarzędzia muszą być zawsze drożne.

Używać tylko i wyłącznie wyposażenia dodatkowego Milwaukee i części zamiennych Milwaukee. Gdyby trzeba było wymienić części, które nie zostały opisane, należy skontaktować się z przedstawicielem serwisu Milwaukee (patrz wykaz adresów punktów usługowych/gwarancyjnych).

Na życzenie można otrzymać rysunek widoku zespołu rozebranego. Przy zamawianiu należy podać dziesięciocyfrowy numer oraz typ elektronarzędzia umieszczony na tabliczce znamionowej. Zamówienia można dokonać albo u lokalnych przedstawicieli serwisu, albo bezpośrednio w Milwaukee Electric Tool, Max-Eyth-Straße 10, D-71364 Winnenden, Germany.

SYMBOLS

Przed przystąpieniem do jakichkolwiek prac na elektronarzędziu należy wyjąć wkładkę akumulatorową.



Podczas pracy należy zawsze nosić okulary ochronne.



Nosić rękawice ochronne!



Nie wyrzucaj elektronarzędzi wraz z odpadami z gospodarstwa domowego! Zgodnie z Europejską Dyrektywą 2002/96/WE w sprawie zużytego sprzętu elektrotechnicznego i elektronicznego oraz dostosowaniem jej do prawa krajowego, zużyte elektronarzędzia należy posegregować i zutylizować w sposób przyjazny dla środowiska.

MŰSZAKI ADATOK

M12 BS

Üresjáratú fordulatszám.....	0-85 m/min
Fűrészlap-méreték.....	687,4 x 12,7 x 0,5 mm
Max. vágási teljesítmény négyzögprofilok.....	41,3 x 41,3 mm
Max. vágási teljesítmény csövek.....	∅ 41,3 mm
Akkumulátor feszültség.....	12 V
Súly a 01/2003 EPTA-eljárás szerint (Akkumulátor 1,5 Ah).....	2,9 kg
Súly a 01/2003 EPTA-eljárás szerint (Akkumulátor 3,0 Ah).....	3,2 kg

Zaj-/Vibráció-információ

A közölt értékek megfelelnek az EN 60 745 szabványnak.

A készülék munkahelyi zajszintje tipikusan:

Hangnyomás szint (K=3 dB(A)).....	74 dB (A)
Hangteljesítmény szint (K=3 dB(A)).....	85 dB (A)

Hallásvédő eszköz használata ajánlott!

Összesített rezgésértékek (három irány vektoriális összege) az EN 60745-nek megfelelően meghatározva.

Fa fűrészelése	
a _h rezgésemisszió érték.....	< 2,5 dB (A)
K bizonytalanság.....	1,5 dB (A)

FIGYELMEZTETÉS

A jelen utasításokban megadott rezgésszint értéke az EN 60745-ben szabályozott mérési eljárásnak megfelelően került lememésre, és használható elektromos szerszámokkal történő összehasonlításhoz. Az érték alkalmas a rezgésterhelés előzetes megbecsülésére is.

A megadott rezgésszint-érték az elektromos szerszám legfőbb alkalmazásait reprezentálja. Ha az elektromos szerszámot azonban más alkalmazásokhoz, eltérő használt szerszámokkal vagy nem elegendő karbantartással használják, a rezgésszint értéke eltérő lehet. Ez jelentősen megnövelheti a rezgésterhelést a munkavégzés teljes időtartama alatt.

A rezgésterhelés pontos megbecsüléséhez azokat az időket is figyelembe kell venni, melyekben a készülék lekapcsolódik, vagy ugyan működik, azonban ténylegesen nincs használatban. Ez jelentősen csökkentheti a rezgésterhelést a munkavégzés teljes időtartama alatt.

Határozzon meg további biztonsági intézkedéseket a kezelő védelmére a rezgések hatása ellen, például: az elektromos és a használt szerszámok karbantartásával, a kezek melegen tartásával, a munkafolyamatok megszervezésével.

▲ FIGYELMEZTETÉS! Olvasson el minden biztonsági útmutatást és utasítást, a mellékelt brosúrában találhatóakat is. A következőkben leírt előírások betartásának elmulasztása áramütésekhez, tűzhöz és/vagy súlyos testi sérülésekhez vezethet.

Kérjük a későbbi használatra gondosan őrizze meg ezeket az előírásokat.

KÜLÖNLEGES BIZTONSÁGI TUDNIVALÓK

Viseljen hallásvédőt. A zajhatás a hallás elvesztését eredményezheti.

A készüléket a szigetelt markolatfelületeket fogva tartsa, ha olyan munkálatokat végez, melyeknél a vágószerszám rejtett elektromos vezetékbe. A vágószerszám feszültségvezető vezetékkel való érintkezésekor a készülék fém részei is feszültség alá kerülhetnek, és elektromos áramütés következhet be.

Munkavégzés közben ajánlatos védőszemüveget viselni. Védőkesztyű, zárt és csúszásmentes cipő, valamint védőkötény használata szintén javasolt.

A munka közben keletkezett forgácsokat, szilánkokat, törmelékét, stb. csak a készülék teljes leállása után szabad a munkaterületről eltávolítani.

Tilos repedt vagy deformált fűrészlapot használni!

Fűrészeléskor a vezetőkegyelt mindig a munkadarabra kell helyezni.

Ne indítsa el a fűrészlapot ha az kapcsolatban van a munkadarabbal. Mielőtt elkezdí a vágást, várjon amíg a fűrészlap eléri a maximális sebességét.

Ha a fűrészlap megszorul, vagy a vágás bármilyen ok miatt megszakad, engedje el a kapcsolót és tartsa a gépet a munkadarabban mindaddig, amíg teljesen meg nem áll. Soha ne indítsa újra a gépet amikor kapcsolatban van a munkadarabbal!

A használt akkumulátort ne dobja tűzbe vagy a háztartási szemétkébe. Tájékozódjon a szakszerű megsemmisítés helyi lehetőségeiről.

Az akkumulátort ne tárolja együtt fém tárgyakkal. (Rövidzárlat veszélye).

CE-AZONOSSÁGI NYILATKOZÁS

Teljes felelősségünk tudatában kijelentjük, hogy jelen termék megfelel a következő szabványoknak vagy szabványosságai dokumentumoknak:
EN 60745-1:2009 + A11:2010
EN 60745-2-20:2009
EN 55014-1:2006 + A1:2009 + A2:2011
EN 55014-2:1997 + A1:2001 + A2:2008
EN 61000-3-2, EN 61000-3-3
irányelvek határozataival egyetértésben
2011/65/EU (RoHS)
2006/42/EK
2004/108/EK



Winnenden, 2012-10-26

Rainer Kumpf
Manager Product Development
Műszaki dokumentáció összeállításra felhatalmazva

AKKUK

Új akkumulátor a teljes kapacitást 4-5 töltési/lemerülési ciklus után éri el. A hosszabb ideig üzemben kívül lévő akkumulátort használat előtt ismételtel fel kell tölteni.

50°C feletti hőmérsékletnél csökkenhet az akkumulátor teljesítménye. Kerülni kell a túlzottan meleg helyen vagy napon történő hosszabb idejű tárolást.

A töltő és az akkumulátor csatlakozóit mindig tisztán kell tartani.

A lehetőleg hosszú élettartamhoz az akkukat feltöltés után ki kell venni a töltőkészülékből.

Az akku 30 napot meghaladó tárolása esetén:

Az akkut kb. 27 °C-on, száraz helyen kell tárolni.

Az akkut kb. 30-50%-os töltöttségi állapotban kell tárolni.

Az akkut 6 havonta újra fel kell tölteni.

AZ AKKUMULÁTOR TÚLTERHELÉS ELLENI VÉDELME

Az akku túl magas áramfogyasztás miatti, pl. túl nagy forgatónyomatékok, a fűró megszorulása, hirtelen leállás következtében fellépő túlterhelése esetén az elektromos szerszám 2 másodpercig zúg, és önműködően lekapcsol. Az újbóli bekapcsoláshoz el kell engedni a kapcsolóbillentyűt, majd ismét be kell kapcsolni.

Extrém mértékű terhelés esetén az akku erősen felforrósodhat. Ebben az esetben az akku lekapcsol.

Az ismételt feltöltéshez és aktiváláshoz ekkor dugja az akkut a töltőkészülékbe.

KARBANTARTÁS

A készülék szellőzőnyílásait mindig tisztán kell tartani.

Csak Milwaukee tartozékokat és Milwaukee pótkatrészeket szabad használni. Az olyan elemeket, melyek cseréje nincs ismertette, cseréltesse ki Milwaukee szervizzel (lásd Garancia/Ügyfélszolgálat címei kiadványt).

Szükség esetén a készülékek robbantott ábráját - a készülék típusa és tízjegyű azonosító száma alapján a területileg illetékes Milwaukee márkaszerviztől vagy közvetlenül a gyártótól (Milwaukee Electric Tool, Max-Eyth-Straße 10, D-71364 Winnenden, Germany) lehet kérni.

SZIMBÓLUMOK



Karbantartás, javítás, tisztítás, stb. előtt az akkumulátort ki kell venni a készülékből.



Munkavégzés közben ajánlatos védőszemüveget viselni.



Hordjon védőkesztyűt!



Az elektromos kéziszerszámokat ne dobja a háztartási szemétkébe! A használt villamos és elektronikai készülékekről szóló 2002/96/EK irányelv és annak a nemzeti jogba való átültetése szerint az elhasznált elektromos kéziszerszámokat külön kell gyűjteni, és környezetbarát módon újra kell hasznosítani.

TEHNIČNI PODATKI

M12 BS

Število vrtljajev v prostem teku	0-85 m/min
Izmere žaginega lista	687,4 x 12,7 x 0,5 mm
Maksimalna rezalna zmogljivost pravokotni profili	41,3 x 41,3 mm
Maksimalna rezalna zmogljivost cevi	Ø 41,3 mm
Napetost izmenljivega akumulatorja	12 V
Teža po EPTA-proceduri 01/2003 (Baterije 1,5 Ah)	2,9 kg
Teža po EPTA-proceduri 01/2003 (Baterije 3,0 Ah)	3,2 kg

Informacije o hrupnosti/vibracijah

Vrednosti merjenja ugotovljene ustrezno z EN 60 745.

Raven hrupnosti naprave ovrednotena z A, znaša tipično:

Nivo zvočnega tlaka (K=3 dB(A))	74 dB (A)
Višina zvočnega tlaka (K=3 dB(A))	85 dB (A)

Nosite zaščito za sluh!

Skupna vibracijska vrednost (Vektorska vsota treh smeri) določena ustrezno EN 60745.

Žaganje lesa

Vibracijska vrednost emisij a_{h_n}	< 2,5 dB (A)
Nevarnost K=	1,5 dB (A)

OPOZORILO

V teh navodilih navedena raven treslajev je bila izmerjena po EN60745 normiranem merilnem postopku in lahko služi medsebojni primerjavi električnih orodij. Prav tako je primeren za predhodno oceno obremenitve s treslaji.

Navedena raven treslajev navaja najpomembnejše vrste rabe električnega orodja. Kadar se električno orodje uporablja za drugačne namene, z odstopajočimi orodji ali pa z nezadostnim vzdrževanjem, lahko raven treslajev tudi odstopa. Le to lahko čez celoten delovni čas znatno zviša obremenitev s tresenjem.

Za natančno oceno obremenitve s treslaji naj bi se upošteval tudi čas v katerem je naprava izklopljena ali sicer teče, vendar dejansko ni v rabi. Le to lahko obremenitev s treslaji čez celoten delovni čas znatno zmanjša.

Za zaščito upravljalca pred učinkom treslajev uvedite dodatne zaščitne ukrepe npr.: Vzdrževanje električnega orodja in orodja, delo s toplimi rokami, organizacija delovnih potočkov.

⚠ OPOZORILO! Preberite vsa varnostna opozorila in navodila, tudi tista v priloženi brošuri. Napake zaradi neupoštevanja spodaj navedenih opozoril in napotil lahko povzročijo električni udar, požar in/ali težke telesne poškodbe. **Vsa opozorila in napotila shranite, ker jih boste v prihodnje še potrebovali.**

SPECIALNI VARNOSTNI NAPOTKI

Nosite zaščito za sluh. Razvijanje hrupa lahko povzroči izgubo sluha.

Kadar izvajate dela pri katerih lahko orodje zadane prikrivo električno napeljavo, je napravo potrebno držati za izolirane prijemalne površine. Stik rezalnega orodja z napetostnim vodnikom napeljave lahko privede kovinske dele naprave pod napetost in vodi do električnega udara.

Pri delu s strojem vedno nosite zaščitna očala. Priporočamo zaščitne rokavice, trdno obuvalo, varno proti drsenju ter predpasnik.

Trske ali iveri se pri tekočem stroju ne smejo odstranjevati.

Napokani listi žage in taki, ki so spremenili svojo obliko, se ne smejo uporabljati!

Vodilni locen naj se pri žaganju vedno prilega k obdelovalnemu kosu.

Stroja ne vklopite, če se list žage dotika materiala. Najprej vklopite stroj, šele nato žagajte material.

Če se list žage zatakne, stroj takoj izklopite in ko se list žage zaustavi, ga izvlecite iz materiala. Stroja nikoli ne vklopite ponovno, če se list žage še dotika materiala.

Izrabljenih izmenljivih akumulatorjev ne mečite v ogenj ali v gospodinjnske odpadke. Milwaukee nudi okolju prijazno odlaganje starih izmenljivih akumulatorjev; prosimo povprašajte vašega strokovnega trgovca.

Izmenljivih akumulatorjev ne hranite skupaj s kovinskimi predmeti (nevarnost kratkega stika).

V odprtino za nameščanje izmenljivih akumulatorjev na polnilnih aparatih ne smejo zaiti nikakršni kovinski deli (nevarnost kratkega stika).

Izmenljive akumulatorje sistema C 18 polnite samo s polnilnimi aparati sistema C 18. Ne polnite nobenih akumulatorjev iz drugih sistemov.

Izmenljivih akumulatorjev in polnilnih aparatov ne odpirajte in jih hranite samo v suhih prostorih. Zaščitite jih pred mokroto.

Pod ekstremno obremenitvijo ali ob ekstremni temperaturi iz poškodovanega izmenljivega akumulatorja lahko izteka akumulatorska tekočina. Po stiku z akumulatorsko tekočino prizadeto mesto takoj izperite z vodo in milom. Po stiku z očmi takoj najmanj 10 minut dolgo temeljito izpirajte in nemudoma obiščite zdravnika.

UPORABA V SKLADU Z NAMEMBNOSTJO

Tračna žaga je uporabna za žaganje ravnih rezov v različne vrste kovin kot npr. Kovinski profili (UniStrut), cevi, suha gradbena stojala, kanali za kable, aluminjski profili.

Ta naprava se sme uporabiti samo v skladu z namembnostjo uporabiti samo za navede namene.

CE-IZJAVA O KONFORMNOSTI

Z lastno odgovornostjo izjavljamo, da je ta produkt skladen z naslednjimi normami ali normativnimi dokumenti.

EN 60745-1:2009 + A11:2010

EN 60745-2-20:2009

EN 55014-1:2006 + A1:2009 + A2:2011

EN 55014-2:1997 + A1:2001 + A2:2008

EN 61000-3-2, EN 61000-3-3

v skladu z določili smernic

2011/65/EU (RoHS)

2006/42/ES

2004/108/ES



Winnenden, 2012-10-26

Rainer Kumpf
Manager Product Development

Pooblaščen za izdelavo spisov tehnične dokumentacije.

AKUMULATORJI

Novi izmenljivi akumulatorji dosežejo svojo polno kapaciteto po 4 – 5 ciklih polnjenja in praznjenja. Izmenljive akumulatorje, ki jih daljši čas niste uporabljali, pred uporabo naknadno napolnite.

Temperatura nad 50°C zmanjšuje zmogljivost izmenljivega akumulatorja. Izogibajte se daljšemu segrevanju zaradi sončnih žarkov ali gretja.

Pazite, da ostanejo priključni kontakti na polnilnem aparatu in izmenljivem akumulatorju čisti.

ZAŠČITA PREOBREMENITVE AKUMULATORJA

V primeru preobremenitve akumulatorjev zaradi zelo visoke porabe toka, npr. ekstremno visokih vrtilnih momentov, zatika svedra, nenadne zaustavitve ali kratkega stika, električno orodje 2 sekundi bmi in se samodejno izklopi.

Za ponoven vklop izpusite tipko stikala in nato znova vklopite. Pod ekstremnimi obremenitvami se lahko akumulator močno segreje. V tem primeru se akumulator izklopi.

Za ponovno polnitev in aktiviranje akumulatorja ga je potrebno vstaviti v polnilec.

Za čim daljšo življensko dobo naj se akumulatorji po napolnitvi zamejejo ven iz naprave za polnjenje.

Pri skladiščenju akumulatorjev dalj kot 30 dni:

Akumulator skladiščiti pri 27°C in na suhem.

Akumulator skladiščiti pri 30%-50% stanja polnjenja.

Akumulator spet napolniti vsakih 6 mesecev.

VZDRŽEVANJE

Pazite na to, da so prezačevalne reže stroja vedno čiste.

Uporabljajte samo Milwaukee pribor in Milwaukee nadomestne dele. Poskrbite, da sestavne dele, katerih zamenjava ni opisana, zamenjajo v Milwaukee servisni službi (upoštevajte brošuro Garancija/Naslovi servisnih služb).

Po potrebi se lahko pri vaši servisni službi ali direktno pri Milwaukee Electric Tool naroči eksplozijska risba naprave ob navedbi tipa stroja in desetmestne številke s tipske ploščice Milwaukee Electric Tool, Max-Eyth-Straße 10, D-71364 Winnenden, Germany.

SIMBOLI



Pred vsemi deli na stroji odstranite izmenljivi akumulator.



Pri delu s strojem vedno nosite zaščitna očala.



Nositi zaščitne rokavice



Električnega orodja ne odstranjujte s hišnimi odpadki! V skladu z Evropsko direktivo 2002/96/EG o odpadni elektrini in elektronski opremi in z njenim izvajanjem v nacionalni zakonodaji je treba električna orodja ob koncu njihove življenske dobe loceno zbirati in jih predati v postopek okolju prijaznega recikliranja.

Broj okretaja praznog hoda	0-85 m/min
Mjere lista pile.....	687,4 x 12,7 x 0,5 mm
Max. učinak rezanja pravokutni profili	41,3 x 41,3 mm
Max. učinak rezanja cijevi.....	∅ 41,3 mm
Napon baterije za zamjenu.....	12 V
Težina po EPTA-proceduri 01/2003 (Akumulator 1,5 Ah)	2,9 kg
Težina po EPTA-proceduri 01/2003 (Akumulator 3,0 Ah)	3,2 kg

Informacije o buci/vibracijama

Mjerne vrijednosti utvrđene odgovarajuće EN 60 745.

A-ocijenjeni nivo buke aparata iznosi tipično:

nivo pritiska zvuka (K=3 dB(A)).....	74 dB (A)
nivo učinka zvuka (K=3 dB(A)).....	85 dB (A)

Nositi zaštitu sluha!

Ukupne vrijednosti vibracije (Vektor suma tri smjera) su odmjerene odgovarajuće EN 60745

Rezanje drva pilom

Vrijednost emisije vibracije a_h	< 2,5 dB (A)
Nesigurnost K=.....	1,5 dB (A)

UPOZORENIE

Ova u ovim uputama navedena razina titranja je bila izmjerena odgovarajuće jednom u EN 60745 normiranom mjernom postupku i može se upotrijebiti za usporedbu električnog alata međusobno. Ona je prikladna i za privremenu procjenu titrajnog opterećenja.

Navedena razina titranja reprezentira glavne primjene električnog alata. Ukoliko se električni alat upotrebljava u druge svrhe sa odstupajućim primijenjenim alatima ili nedovoljnim održavanjem, onda razina titranja može odstupati. To može titrajno opterećenje kroz cijeli period rada bitno povisiti.

Za točnu procjenu titrajnog opterećenja se moraju uzeti u obzir i vremena u kojima je uređaj isključen ili u kojima doduše radi, ali nije i stvarno u upotrebi. To može titrajno opterećenje bitno smanjiti za vrijeme cijelog radnog perioda.

Utvrđite dodatne sigurnosne mjere za zaštitu poslužioaca protiv djelovanja titranja kao npr.: Održavanje električnih alata i upotrebljenih alata, održavanje topline ruku, organizacija i radne postupke.

⚠ UPOZORENIE! Pročitajte sigurnosne upute i uputnice, isto i one iz priložene brošure. Ako se ne bi poštivala napomene o sigurnosti i upute to bi moglo uzrokovati strujni udar, požar i/ili teške ozljede.

Sačuvajte sve napomene o sigurnosti i upute za buduću primjenu.

SPECIJALNE SIGURNOSNE UPUTE

Nosite zaštitu za sluh. Djelovanje buke može dovesti do gubitka sluha.

Držite spravu na izoliranim držačkim površinama kada izvodite radove kod kojih rezački alat može pogoditi skrivene vodove struje. Kontakt rezačkog alata sa vodovima koji sprovode naponom može metalne dijelove sprave dovesti pod napon i tako dovesti do električnog udara.

Kod radova sa strojem uvijek nositi zaštitne naočale. Zaštitne rukavice, čvrste i protiv klizanja sigurne cipele kao i pregača se preporučuju.

Piljevina ili iverje se za vrijeme rada stroja ne smiju odstranjivati.

Listovi pile sa pukotinama, koji su promijenili oblik, se ne smiju upotrebljavati!

Vodeći luk kod piljenja uvijek postaviti na radni predmet.

Stroj ne uključiti, ako list pile ne dodiruje materijal. Stroj najprije uključiti i zatim piliti materijal.

Ako se list pile zaglavi, odmah isključiti i stroj nakon umirenja lista pile izvući iz materijala. Stroj nikada ne ponovno uključiti, ako list pile još ne dodiruje materijal.

Istrošene baterije za zamjenu ne bacati u vatru ili u kućno smeće. Milwaukee nudi mogućnost uklanjanja starih baterija odgovarajuće okolini. Milwaukee nudi mogućnost uklanjanja starih baterija odgovarajuće okolini; upitajte molimo Vašeg stručnog trgovca.

Baterije za zamjenu ne čuvati skupa sa metalnim predmetima (opasnost od kratkog spoja).

U prostor za punjenje baterija u uređaju za punjenje ne smiju dospijeti metalni dijelovi (opasnost od kratkog spoja).

Baterije sistema C 18 puniti samo sa uređajem za punjenje sistema C 18. Ne puniti baterije iz drugih sistema.

Baterije za zamjenu i uređaje za punjenje ne otvarati i čuvati ih samo u suhim prostorijama. Čuvati protiv vlage.

Pod ekstremnim opterećenjem ili ekstremne temperature može iz oštećenih baterija iscuriti baterijska tekućina. Kod dodira sa baterijskom tekućinom odmah isprati sa vodom i sapunom. Kod kontakta sa očima odmah najmanje 10 minuta temeljno ispirati i odmah potražiti liječnika.

PROPIISNA UPOTREBA

Tračna pila se upotrebljava za piljenje ravnolinijskih rezova u raznim vrstama metala kao npr. metalnih profila (UniStrut), cijevi, profila za gipsploče, kanala za kablove, aluminijske profile.

Ovaj aparat se smije upotrijebiti samo u određene svrhe kao što je navedeno.

CE-IZJAVA KONFORMNOSTI

Izjavljujemo na osobnu odgovornost, da se ovaj proizvod slaže sa slijedećim normama ili normativnim dokumentima.

EN 60745-1:2009 + A11:2010

EN 60745-2-20:2009

EN 55014-1:2006 + A1:2009 + A2:2011

EN 55014-2:1997 + A1:2001 + A2:2008

EN 61000-3-2, EN 61000-3-3

po odredbama smjernica

2011/65/EU (RoHS)

2006/42/EC

2004/108/EC.



Winnenden, 2012-10-26

Rainer Kumpf

Rainer Kumpf
Manager Product Development

Ovlašten za formiranje tehničke dokumentacije

Nove baterije postižu svoj puni kapacitet nakon 4-5 ciklusa punjenja i pražnjenja. Baterije koje duže vremena nisu korištene, prije upotrebe napuniti.

Temperatura od preko 50°C smanjuje učinak baterija. Duže zagrijavanje od strane sunca ili grijanja izbjeći.

Priključne kontakte na uređaju za punjenje i baterijama držati čistima.

ZAŠTITA OD PREOPTEREĆENJA AKUMULATORA

Kod preopterećenja akumulatora kroz visoku potrošnju struje, npr. ekstremno visoki okretni momenti, zaglavljenje svrdla, naglo zaustavljanje ili kratki spoj, elektroalat brui 2 sekunde dugo i isključuje se samostalno.

Za ponovno uključivanje ispuštiti otponac prekidača i zatim ponovno uključiti.

Pod ekstremnim opterećenjima se akumulator može jako zagrijati. U ovom slučaju se akumulator isključuje.

Akumulator zatim utaknuti u punjač kako bi se ovaj ponovno napunio i zatim aktivirao.

Za što moguće duži vijek trajanja, akumulatori se nakon punjenja moraju odstraniti iz punjača.

Kod skladištenja akumulatora duže od 30 dana:

Akumulator skladištiti na suhom kod ca. 27°C.

Akumulator skladištiti kod ca. 30%-50% stanja punjenja.

Akumulator ponovno napuniti svakih 6 mjeseci.

ODRŽAVANJE

Preoze za prozračivanje stroja uvijek držati čistima.

Primijeniti samo Milwaukee opremu i Milwaukee rezervne dijelove. Sastavne dijelove, čija zamjena nije opisana, dati zamijeniti kod jedne od Milwaukee servisnih službi (poštivati brošuru Garancija/Adrese servisa).

Po potrebi se može zatražiti crtež eksplozije aparata uz davanje podataka o tipu stroja i desetoznamenastog broja na pločici snage kod Vaše servisne službe ili direktno kod Milwaukee Electric Tool, Max-Eyth-Straße 10, D-71364 Winnenden, Germany.

SIMBOLI

Prije svih radova na stroju izvaditi bateriju za zamjenu.



Kod radova na stroju uvijek nositi zaštitne naočale.



Nositi zaštitne rukavice!



Elektricne alate ne odlažite u kućne otpatke! Prema Europskoj direktivi 2002/96/EG o starim električnim i elektroničkim strojevima i preuzimanju u nacionalno pravo moraju se istrošeni električni alati sakupljati odvojeno i odvesti u pogon za reciklažu.

TEHNISKIE DATI

M12 BS

Apgriezieni tukšgaitā	0-85 m/min
Zāga plātnes izmēri	687,4 x 12,7 x 0,5 mm
Maks. griešanas jauda taisnstūra profils	41,3 x 41,3 mm
Maks. griešanas jauda caurule	∅ 41,3 mm
Akumulātorā spriegums	12 V
Svars atbilstoši EPTA -Procedure 01/2003 (Baterija 1,5 Ah)	2,9 kg
Svars atbilstoši EPTA -Procedure 01/2003 (Baterija 3,0 Ah)	3,2 kg

Trokšņu un vibrāciju informācija

Vērtības, kas noteiktas saskaņā ar EN 60 745.

A novērtētās aparatūras skaņas līmenis ir:

trokšņa spiediena līmenis (K=3 dB(A))	74 dB (A)
trokšņa jaudas līmenis (K=3 dB(A))	85 dB (A)

Nēsāt trokšņa slāpētāju!

Svārstību kopējā vērtība (Trīs virzienu vektoru summa) tiek noteikta atbilstoši EN 60745.

Koka zāģis

svārstību emisijas vērtība a _v	< 2,5 dB (A)
Nedrošība K=	1,5 dB (A)

UZMANĪBU

Instrukcijā norādītā svārstību robežvērtība ir izmērīta mērījumu procesā, kas veikts atbilstoši standartam EN 60745, un to var izmantot elektroinstrumentu savstarpējai salīdzināšanai. Tā ir piemērota arī svārstību noslogojuma pagaidu izvērtēšanai.

Norādītā svārstību robežvērtība ir reprezentatīva elektroinstrumenta pamata pielietojuma jomām. Tomēr, ja elektroinstrumenti tiek pielietoti citās jomās, papildus izmantojot neatbilstošus elektroinstrumentus vai pēc nepieciešamas tehniskās apkopes, tad svārstību robežvērtība var atšķirties. Tas var ievērojami palielināt svārstību noslogojumu visa darba laikā.

Precīzai svārstību noslogojuma noteikšanai, ir jāņem vērā arī laiks, kad ierīces ir izslēgtas vai arī ir ieslēgtas, tomēr faktiski netiek lietota. Tas var ievērojami samazināt svārstību noslogojumu visa darba laikā.

Integrējiet papildus drošības pasākumus pret svārstību ietekmi lietotājam, piemēram: elektroinstrumentu un darba instrumentu tehniskā apkošana, roku siltuma uzturēšana, darba procesu organizācija.

UZMANĪBU! Izlasiet visu drošības instrukciju un lietošanas pamācību klāt pievienotajā bukletā. Šeit sniegto drošības noteikumu un norādījumu neievērošana var izraisīt aizdegšanos un būt par cēloni elektriskajam triecienam vai nopietnam savainojumam.
Pēc izlasīšanas uzglabājiet šos noteikumus turpmākai izmantošanai.

SPECIĀLIE DROŠĪBAS NOTEIKUMI

Nēsājiet ausu aizsargus. Trokšņa iedarbības rezultātā var rasties dzirdes traucējumi.

Lerīci turiet aiz izolētiem rokturiem, ja veicat darbus, kuros griešanas darbiem izmantojamais instruments var skart paslēptus elektro vadus. Šī instrumenta saskare ar strāvu vadošiem kabeļiem var radīt spriegumu arī ierīces metāliskajās daļās un var izraisīt elektrisko triecienu.

Strādājot ar mašīnu, vienmēr jānēsā aizsargbrilles. Tiek ieteikts nēsāt arī aizsargcimdus, slēgtus, neslīdošus apavus un priekšautu.

Skaidas un atlūzas nedrīkst ņemt ārā, kamēr mašīna darbojas. Saplaisājušas zāģu ripas un tādas, kas ir izmainījušas savu formu, nedrīkst izmantot.

Vadotnes rullītis vienmēr jānovietu uz aprādājāmās detaļas.

Mašīnu nedrīkst ieslēgt, ja zāģa ripa saskaras ar apstrādājamo materiālu. No sākuma jāieslēdz mašīna, un tikai tad drīkst zāģēt materiālu.

Ja zāģa ripa ir iesprūdusi, mašīnu nepieciešams nekavējoties izslēgt un pēc tam, kad tā beiguši darboties, izvilk zāģa ripu no materiāla. Mašīnu nekādā gadījumā nedrīkst ieslēgt, ja zāģa ripa ir saskarē ar materiālu.

Izmantotos akumolārus nedrīkst mest ugunī vai parastajos atkritumos. Firma Milwaukee piedāvā iespēju vecos akumolātorus savākt apkārtējo vidi saudzējošā veidā; jautājiet specializētā veikalā.

Akumulātorus nav ieteicams glabāt kopā ar metāla priekšmetiem (iespējams īsslēgums).

Jāuzmanās, lai akumulātoru lādētājā nenokļūtu nekādi metāla priekšmeti (iespējams īsslēgums).

C 18 sistēmas akumulātorus lādēt tikai ar C 18 sistēmas lādētājiem. Nedrīkst lādēt citus akumulātorus no citām sistēmām.

Akumulātorus un lādētājus nedrīkst taisīt vajā un tie jāuzglabā sausās telpās.

Pie ārkārtas slodzes un ārkārtas temperatūrām no bojātā akumulātorā var iztekt akumulātorā šķidrums. Ja nonākat saskarsmē ar akumulātorā šķidrumu, saskarsmes vieta nekavējoties jānomazgā ar ūdeni un ziepēm. Ja šķidrums nonācis acīs, acis vismaz 10 min. skalot un nekavējoties konsultēties ar ārstu.

NOTEIKUMIEM ATBILSTOŠS IZMANTOJUMS

Lentes zāģi izmanto dažādu veidu metālu, piemēram, metāla profilu (UniStrut), cauruļu, sauso būvju sastatņu, kabeļu kanālu, alumīnija profilu, skārdus.

Šo instrumentu drīkst izmantot tikai saskaņā ar minētajiem lietošanas noteikumiem.

ATBILSTĪBA CE NORMĀM

Ar šo apliecinām, ka esam atbildīgi par to, lai šis produkts atbilstu sekojošām normām vai normatīvajiem dokumentiem:

EN 60745-1:2009 + A11:2010

EN 60745-2-20:2009

EN 55014-1:2006 + A1:2009 + A2:2011

EN 55014-2:1997 + A1:2001 + A2:2008

EN 61000-3-2, EN 61000-3-3

saskaņā ar direktīvu noteikumiem

2011/65/EU (RoHS)

2006/42/EK

2004/108/EK.



Winnenden, 2012-10-26

Rainer Kumpf
Manager Product Development

Pilnvarotais tehniskās dokumentācijas sastādīšanā.

AKUMULĀTORI

Jauni akumulātoru sasniedz pilnu kapacitāti pēc 4-5 uzlādēšanas un izlādēšanas cikliem. Akumulātoru, kas ilgāku laiku nav izmantoti, pirms lietošanas jāuzlādē.

Pie temperatūras, kas pārsniedz 50°C, akumulātoru darbība tiek negatīvi ietekmēta. Vajag izvairīties no ilgākas saules un karstuma iedarbības.

Lādētāja un akumulātoru pievienojuma kontakti jāuztur tīri.

AKUMULĀTORA AIZSARDZĪBA PRET PĀRSLOGOJUMU

Akumulātoru pārslogojuma gadījumos, esot ļoti lielam elektroenerģijas patēriņam, piem., ārkārtīgi augsts griezes moments, urbjā iekāršanās, pēkšņa apstāšanās vai īssavienojums, elektriskais darbarīks 2 sekundes rūc, un pats izslēdzas.

Lai to atkal ieslēgtu, atļaidiet ieslēgšanas pogu un tad to ieslēdziet no jauna.

Esot ārkārtīgi augstam noslogojumam, akumulātors var spēcīgi sakarst. Šādā gadījumā akumulātors atslēdzas.

Akumulātoru var ievietot lādētājā, lai to atkal uzlādētu un aktivizētu.

Lai akumulātoru kalpotu pēc iespējas ilgāku laiku, tos pēc uzlādes ieteicams atvienot no lādētāj ierīces.

Akumulātoru uzglabāšana ilgāk kā 30 dienas: uzglabāt akumulātoru pie aptuveni 27° C un sausā vietā. Uzglabāt akumulātoru uzlādes stāvoklī aptuveni pie 30%-50%. Uzlādēt akumulātoru visus 6 mēnešus no jauna

APKOPE

Vajag vienmēr uzmanīti, lai būtu tīras dzesēšanas atveres.

Izmantojiet tikai firmu Milwaukee piederumus un firmas Milwaukee rezerves daļas. Lieciet nomainīt detaļas, kuru nomaiņa nav aprakstīta, kādā no firmu Milwaukee klientu apkalpošanas servisiem. (Skat. brošūru „Garantija/klientu apkalpošanas serviss“.)

Ja nepieciešams, klientu apkalpošanas servisā vai tieši pie firmas Milwaukee Electric Tool, Max-Eyth-Strasse 10, D-71364 Winnenden, Germany, var pieprasīt instrumenta eksplozijas zīmējumu, šim nolūkam jāuzrāda mašīnas tips un desmitviērtīgais numurs, kas norādīts uz jaudas panela.

SIMBOLI



Pirms mašīnai veikt jebkāda veida apkopes darbus, ir jāizņem arī akumulātors.



Strādājot ar mašīnu, vienmēr jānēsā aizsargbrilles.



Jāvalkā aizsargcimdi!



Neizmetiet elektroiekartas sadzīves atkritumos! Saskaņā ar Eiropas Direktīvu 2002/96/EG par lietotajām elektroiekartām, elektronikas iekartām un tas iekļaušanu valsts likumdošanā lietotās elektroiekartas ir jāsavāc atsevišķi un jānogada atsevišķai parstrādei videi draudzīga veida.

TECHNINIAI DUOMENYS

M12 BS

Sūkių skaičius laisva eiga.....	0-85 m/min
Ząga plėtnės izmėri.....	687,4 x 12,7 x 0,5 mm
Maks. pjovimo galia staciakampiai profiliai.....	41,3 x 41,3 mm
Maks. pjovimo galia vamzdžiai.....	∅ 41,3 mm
Keičiamo akumuliatoriaus įtampa.....	12 V
Prietaiso svoris įvertintas pagal EPTA 2003/01 tyrimų metodiką (Akumuliatorius 1,5 Ah).....	2,9 kg
Prietaiso svoris įvertintas pagal EPTA 2003/01 tyrimų metodiką (Akumuliatorius 3,0 Ah).....	3,2 kg

Informacija apie triukšmą/vibraciją

Vertės matuotos pagal EN 60745.

Įvertintas A įrenginio keliamo triukšmo lygis dažniausiai sudaro:

Garso slėgio lygis (K = 3 dB(A)).....	74 dB (A)
Garso galios lygis (K = 3 dB(A)).....	85 dB (A)

Nešioti klausos apsauginės priemonės!

Bendroji svyravimų reikšmė (trijų krypčių vektorių suma), nustatyta remiantis EN 60745.

Medienos pjovimas

Vibravimų emisijos reikšmė a_w	< 2,5 dB (A)
Paklaida K=.....	1,5 dB (A)

DĖMESIO

Instrukcijoje nurodyta svyravimų ribinė vertė yra išmatuota remiantis standartu EN 60745; ji gali būti naudojama keliems elektriniams instrumentams palyginti. Ji taikoma ir laikinai įvertinti svyravimų apkrova.

Nurodyta svyravimų ribinė vertė yra taikoma pagrindinėse elektrinio instrumento naudojimo srityse. Svyravimų ribinė vertė gali skirtis naudojant elektrinį instrumentą kitose srityse, papildomai naudojant netinkamus elektrinius instrumentus arba juos nepakankamai techniškai prižiūrint. Dėl to viso darbo metu gali žymiai padidėti svyravimų apkrova.

Siekiant tiksliai nustatyti svyravimų apkrova, būtina atsižvelgti ir į laikotarpį, kai įrenginys yra išjungtas arba įjungtas, tačiau faktiškai nenaudojamas. Dėl to viso darbo metu gali žymiai sumažėti svyravimų apkrova.

Siekiant apsaugoti vartotojus nuo svyravimo įtakos naudojamos papildomos saugos priemonės, pavyzdžiui, elektrinių darbo instrumentų techninė priežiūra, rankų šilumos palaikymas, darbo procesų organizavimas.

⚠ DĖMESIO! Perskaitykite visas saugumo pastabas ir nurodymus, esančius pridėtoje brošiūroje. Jei nepaisysite žemiau pateiktų saugos nuorodų ir reikalavimų, gali trenkti elektros smūgis, kilti gaisras ir/arba galite sunkiai susižaloti arba sužaloti kitus asmenis.
Išsaugokite šias saugos nuorodas ir reikalavimus, kad ir ateityje galėtumėte jais pasinaudoti.

YPATINGOS SAUGUMO NUORODOS

Nešioti klausos apsaugos priemonės. Triukšmo poveikyje galima netekti klausos.

Dirbdami laikykite prietaisą už izoliuotų vietų, kuriose pjovimo įrenginys pats galėtų liesti paslėptus laidus. Pjovimo įrenginio kontaktas su įtampos laidais gali įelektrinti metalines prietaiso dalis, o tai gali sukelti elektros iškvovą.

Dirbdami su įrenginiu visada nešioti apsauginius akinius. Rekomenduotina nešioti apsaugines pirštines, tvirtus batus neslidžiu padu bei prijuostę.

Draudžiama išiminti drožles ar nuopjovas, įrenginiui veikiant.

Įtrūkusius arba pakitusios formos pjovimo diskus naudoti draudžiama!

Pjaudami kreipiamąjį rėmą visada priglaskite prie apdorojamos detalės.

Nejunkite įrenginio, jei pjovimo diskas liečia medžiagą. Pirmiausia įjunkite įrenginį, tada pjaukite medžiagą.

Jei pjovimo diskas užstringa, įrenginį tuoj pat išjunkite ir, pjovimo diskui sustojus, ištraukite jį iš medžiagos. Niekada vėl nejunkite įrenginio, kol pjovimo diskas dar liečia medžiagą.

Sunaudotų keičiamų akumuliatorių nedeginkite ir nemeskite į buitines atliekas. „Milwaukee“ siūlo tausojančią aplinką sudėvėtų keičiamų akumuliatorių tvarkymą, apie tai prekybos atstovo.

Keičiamų akumuliatorių nelaikykite kartu su metaliniais daiktais (trumpojo jungimo pavojus).

Į įkroviklių keičiamiems akumuliatoriams įstatymui skirtą vamzdį turi nepatekti jokios metalinės dalys (trumpojo jungimo pavojus).

Keičiamus „C 18“ sistemos akumuliatorius kraukite tik „C 18“ sistemos įkrovikliams. Nekreukite kitų sistemų akumuliatorių.

Keičiamų akumuliatorių ir įkroviklių nelaikykite atvirai. Laikykite tik sausoje vietoje. Saugokite nuo drėgmės.

Ekstremalių apkrovų arba ekstremalios temperatūros poveikyje iš keičiamų akumuliatorių gali ištekti akumuliatoriaus skystis. Išsitiesus akumuliatoriaus skystis, tuoj pat nuplaukite vandeniu su muilu. Patekus į akis, tuoj pat ne trumpiau kaip 10 minučių gausiai skalaukite vandeniu ir tuoj pat kreipkitės į gydytoją.

NAUDOJIMAS PAGAL PASKIRTĮ

Lentes žągi lieto lai žągėtu dažada veida taisnus griezumus metālos, kā piem. metāla profilos (UniStrut), caurulēs, celtniecības sastatnēs, kabelu kanālos, alumīnija profilos, skārdos.

Šį prietaisą leidžiama naudoti tik pagal nurodytą paskirtį.

CE ATITIKTIES PAREIŠKIMAS

Mes atsakingai pareiškiame, kad šis gaminys atitinka tokias normas arba normatyvinius dokumentus:

EN 60745-1:2009 + A11:2010

EN 60745-2-20:2009

EN 55014-1:2006 + A1:2009 + A2:2011

EN 55014-2:1997 + A1:2001 + A2:2008

2011/65/EU (RoHS)

2006/42/EB

2004/108/EB



Winnenden, 2012-10-26

Rainer Kumpf
Manager Product Development

Įgaliotas parengti techninius dokumentus.

AKUMULIATORIAI

Nauji keičiami akumuliatoriai savo pilną talpą įgyja po 4-5 įkrovos ir iškrovos ciklų. Ilgesnį laiką nenaudotus keičiamus akumuliatorius prieš naudojimą įkraukite.

Aukštesnė nei 50°C temperatūra mažina keičiamų akumuliatorių galią. Venkite ilgesnio saulės ar šilumos šaltinių poveikio.

Įkroviklio ir keičiamo akumuliatoriaus jungiamieji kontaktai visada turi būti švarūs.

APSAUGA NUO AKUMULIATORIAUS PERKROVOS

Perkrovus akumuliatorių dėl itin didelės vartojamos srovės, pvz.: labai didelių apsučių, staigaus stabdymo, trumpo sujungimo ar užsikirtus gražtui, elektrinis įrankis veikia dar 2 sekundes ir išsijungia automatiškai.

Norint iš naujo įjungti įrankį, reikia atleisti mygtuką ir jį dar kartą įjungti.

Dėl ekstremalių apkrovų akumuliatorius gali labai stipriai įkaisti. Tokiu atveju jis išsijungia.

Tada akumuliatorių reikia įkišti į įkroviklį, kad jis įsikrautų ir veiktų.

Siekiant užtikrinti kuo ilgesnį baterijos tarnavimo laiką, reikėtų ją po atlikto įkrovimo iškart išimti iš įkroviklio.

Bateriją laikant ilgiau nei 30 dienų, būtina atkreipti dėmesį į šias nuorodas: bateriją laikyti sausoje aplinkoje, esant apie 27 °C temperatūrai. Baterijos įkrovimo lygis turi būti nuo 30% iki 50%. Baterija pakartotinai turi būti įkraunama kas 6 mėnesius.

TECHNINIS APTARNAVIMAS

Įrenginio vėdinimo angos visada turi būti švarios.

Naudokite tik „Milwaukee“ priedus ir „Milwaukee“ atsargines dalis. Dalis, kurių keitimas neaprašytas, leidžiama keisti tik „Milwaukee“ klientų aptarnavimo skyriams (žr. garantiją/klientų aptarnavimo skyrių adresus brošiūroje).

Jei reikia, nurodant įrenginio tipą bei specifikacijų lentelėje esantį dešimtženklį numerį, iš klientų aptarnavimo skyriaus arba tiesiai iš Milwaukee Electric Tool, Max-Eyth-Straße 10, D-71364 Winnenden, Germany, galima užsisakyti prietaiso surinkimo brėžinius.

SIMBOLIAI



Prieš atlikdami bet kokius darbus įrenginyje, išimkite keičiamą akumuliatorių.



Dirbdami su įrenginiu visada nešioti apsauginius akinius.



Lietojiet aizsardzības cimdus!



Neišmeskite elektros įrengimų į buitinius šiukšlynus! Pagal ES Direktyva 2002/96/EG dėl naudotų įrengimų, elektros įrengimų ir jų ištraukimo į valstybinius įstatymus naudotus įrengimus būtina suringti atskirai ir nugabenti antriniu žaliavu perdirbimui aplinkai nekenksmingu būdu.

Pöörlemiskiirus tühjooksul	0-85 m/min
Saelehe mõõdud	687,4 x 12,7 x 0,5 mm
Max lõikevõimsus nelinurksed profiilid	41,3 x 41,3 mm
Max lõikevõimsus torud	∅ 41,3 mm
Vahetatava aku pinge	12 V
Kaal vastavalt EPTA-protseduurile 01/2003 (Aku 1,5 Ah)	2,9 kg
Kaal vastavalt EPTA-protseduurile 01/2003 (Aku 3,0 Ah)	3,2 kg

Müra/vibratsiooni andmed

Mõõteväärtused on kindlaks tehtud vastavalt normile EN 60 745.

Seadme tüüpiline hinnanguline (A) müratase:

Helirõhutase (K=3 dB(A))	74 dB (A)
Helivõimsuse tase (K=3 dB(A))	85 dB (A)

Kandke kaitseks kõrvaklappe!

Vibratsiooni koguväärtus (kolme suuna vektorsumma) mõõdetud EN 60745 järgi.

Puidu saagimine

Vibratsiooni emissiooni väärtus a_{hv}	< 2,5 dB (A)
Määramatus K=	1,5 dB (A)

TÄHELEPANU

Antud juhendis toodud võnketase on mõõdetud EN 60745 standardile vastava mõõtesüsteemiga ning seda võib kasutada erinevate elektriseadmete omavahelises võrdlemises. Antud näitaja sobib ka esmaseks võnkekoormuse hindamiseks.

Antud võnketase kehtib elektriseadme kasutamisel sihtotstarbeliselt. Kui elektriseadet kasutatakse muudel otstarvetel, muude tööriistadega või seda ei hooldata piisavalt võib võnketase siintoodust erineda. Eeltoodu võib võnketaset märkimisväärselt tõsta terves töökeskkonnas.

Võnketaseme täpseks hindamiseks tuleks arvestada ka aega, mil seade on välja lülitatud või on küll sisse lülitatud, kuid ei ole otseselt kasutuses. See võib märgatavalt vähendada kogu töökeskkonna võnketaset.

Rakendage spetsiaalseid ettevaatusabinõusid töötajate suhtes, kes puutuvad töö käigus palju kokku vibratsiooniga. Nendeks abinõudeks võivad olla, näiteks: elektri- ja tööseadmete korraline hooldus, käte soojendamine, töövoo parem organiseerimine.

⚠ TÄHELEPANU! Lugege kõik ohutusnõuanded ja juhendid läbi, ka juures olevast brošüürist. Ohutusnõuete ja juhiste eiramise tagajärjeks võib olla elektrilööki, tulekahju ja/või rasked vigastused.

Hoidke kõik ohutusnõuded ja juhised edasiseks kasutamiseks hoolikalt alles.

SPETSIAALSED TURVAJUHISED

Kandke kaitseks kõrvaklappe. Müra mõju võib kutsuda esile kuulmise kaotuse.

Tööde puhul, kus lõikeseade võib minna vastu peidetud elektrijuhtmeid, hoidke kinni seadme isoleeritud käepidemetest. Kokkupuude pingestatud juhtmega võib pingestada ka lõikeseadme metallist osad ning põhjustada elektrilööki.

Masinaga töötades kandke alati kaitseprille. Soovitatavad on kaitsekindad, tugevad ja libisemiskindlad jalanõud ning põll.

Puru ega pilpaid ei tohi eemaldada masina töötamise ajal.

Mõranenud ning deformeerunud saelehti ei tohi kasutada!

Saagimisel asetage juhtkaar alati toorikule toeks.

Ärge lülitage masinat sisse kui saeleht on vastu materjali.

Lülitage masin kõigepealt sisse ning alles siis hakake saagima.

Juhul, kui saeleht peaks kinni kiiluma, lülitage masin kohe välja ja tõmmake pärast saelehe seiskumist materjalist välja. Ärge kunagi lülitage masinat uuesti sisse siis, kui saeleht on vastu materjali.

Ärge visake tarvitatud vahetatavaid akusid tulle ega olmeprügisse. Milwaukee pakub vanade akude keskkonnahoidlikku käitlust; palun küsige oma erialaselt tamijalt.

Ärge säilitage vahetatavaid akusid koos metallsemetega (lühiseoht).

Laadiljal olevasse vahetatava aku ühenduskambrisse ei tohi sattuda metallosi (lühiseoht).

Laadige süsteemi C 18 vahetatavaid akusid ainult süsteemi C 18 laadijatega. Ärge laadige nendega teiste süsteemide akusid.

Ärge avage vahetatavaid akusid ega laadijaid ning ladustage neid ainult kuivades ruumides. Kaitske niiskuse eest.

Äärmuslikul koormusel või äärmuslikul temperatuuril võib kahjustatud vahetatavast akust akuvedelik välja voolata. Akuvedelikuga kokkupuutumise korral peske kohe vee ja seebiga. Silma sattumise korral loputage kiiresti põhjalikult vähemalt 10 minutit ning pöörduge viivitamatult arsti poole.

KASUTAMINE VASTAVALT OTSTARBELE

Lintsaaugi saab rakendada sirgjooneliste lõigete saagimiseks erinevatesse metalliikidesse, nagu nt metallprofiilidesse (UniStrut), torudesse, kuivmaterjalist konstruktsioonidesse, kaablikanalitesse, alumiiniumprofiilidesse, plekkidesse.

Antud seadet tohib kasutada ainult vastavalt äranäidatud otstarbele.

EÜ VASTAVUSAVALDUS

Me deklareerime ainuvastutajatena, et antud toode on kooskõlas järgmiste normide või normdokumentidega:

EN 60745-1:2009 + A11:2010

EN 60745-2-20:2009

EN 55014-1:2006 + A1:2009 + A2:2011

EN 55014-2:1997 + A1:2001 + A2:2008

EN 61000-3-2, EN 61000-3-3

vastavalt direktiivide sätetele

2011/65/EU (RoHS)

2006/42/EÜ

2004/108/EÜ



Winnenden, 2012-10-26

Rainer Kumpf
Manager Product Development

On volitatud koostama tehnilist dokumentatsiooni.

AKUD

Uued vahetatavad akud saavutavad oma täieliku mahtuvuse pärast 4–5 laadimis- ja tühjendustsüklit. Pikemat aega mittekasutatud akusid laadige veel enne kasutamist.

Temperatuur üle 50 °C vähendab vahetatava aku töövoimet. Vältige pikemat soojenemist päikese või kütteseadme mõjul.

Hoidke laadija ja vahetatava aku ühenduskontaktid puhtad.

AKU KOORMUSKAITSE

Aku ülekoormamisel kõrge voolutarbimisega, nt puuri blokeerumisel, äkilisel seiskumisel või lühise tekkimisel, vibreerib elektrotööriist 2 sekundit ning seejärel lülitub automaatselt välja.

Uuesti sisse lülitamiseks tuleb päästik esmalt vabastada ning seejärel uuesti alla suruda.

Ülisuurel koormusel võib aku kuumeneda kõrgete

temperatuurideni. Sellisel juhul lülitub aku välja.

Aku tuleb laadimiseks ja taasaktiveerimiseks sisestada laadimisseadmesse.

Akud tuleks võimalikult pika kasutusea saavutamiseks pärast täislaadimist laadijast välja võtta.

Aku ladustamisel üle 30 päeva:

Ladustage akut kuivas kohas u 27°C juures.

Ladustage akut u 30-50% laetusseisundis.

Laadige aku iga 6 kuu tagant täis.

HOOLDUS

Hoidke masina õhutuspiilud alati puhtad.

Kasutage ainult Milwaukee tarvikuid ja Milwaukee tagavaraosi. Detailid, mille väljavahetamist pole kirjeldatud, laske välja vahetada Milwaukee klienditeeninduspunktis (vaadake brošüüri garantii / klienditeeninduste aadressid).

Vajaduse korral võite tellida seadme läbilõikejoonise, näidates ära masina tüübi ja andmesildil oleva kümnekohalise numbrilise. Selleks pöörduge klienditeeninduspunkti või otse: Milwaukee Electric Tool, Max-Eyth-Straße 10, D-71364 Winnenden, Germany.

SÜMBOLID

Enne kõiki töid masina kallal võtke vahetatav aku välja.



Masinaga töötades kandke alati kaitseprille.



Kanda kaitsekindaid!



Ärge käideldage kasutuskoõlmatuks muutunud elektrilisi tööriistu koos olmejäätmetega! Vastavalt Euroopa Parlamendi ja nõukogu direktiivile 2002/96/EÜ elektri- ja elektroonikaseadmete jäätmete kohta ning direktiivi nõuete kohaldamisele liikmesriikides tuleb asutuskoõlmatuks muutunud elektrilised tööriistad koguda eraldi ja keskkonnasäästlikult korduskasutada või ringluse võtta.

ТЕХНИЧЕСКИЕ ДАННЫЕ**M12 BS**

Число оборотов без нагрузки (об/мин)	0-85 m/min
Размеры ленточной пилы	687,4 x 12,7 x 0,5 mm
Макс. производительность резания прямоугольные профили	41,3 x 41,3 mm
Макс. производительность резания трубы	∅ 41,3 mm
Вольтаж аккумулятора	12 V
Вес согласно процедуре EPTA 01/2003 (Аккумулятор 1,5 Ah)	2,9 kg
Вес согласно процедуре EPTA 01/2003 (Аккумулятор 3,0 Ah)	3,2 kg

Информация по шумам/вибрации

Значения замерялись в соответствии со стандартом EN 60 745.

Уровень шума прибора, определенный по показателю A, обычно составляет:

Уровень звукового давления (K = 3 dB(A))	74 dB (A)
Уровень звуковой мощности (K = 3 dB(A))	85 dB (A)

Пользуйтесь приспособлениями для защиты слуха.

Общие значения вибрации (векторная сумма трех направлений) определены в соответствии с EN 60745.

Пиление дерева

Значение вибрационной эмиссии a_v	< 2,5 dB (A)
Небезопасность K=	1,5 dB (A)

ВНИМАНИЕ

Указанный в настоящем руководстве уровень вибрации измерен в соответствии с технологией измерения, установленной стандартом EN 60745 и может использоваться для сравнения электроинструментов друг с другом. Он также подходит для предварительной оценки вибрационной нагрузки.

Указанный уровень вибрации представляет основные виды использования электроинструмента. Но если электроинструмент используется для других целей, используемый инструмент отклоняется от указанного или техническое обслуживание было недостаточным, то уровень вибрации может отклоняться от указанного. В этом случае вибрационная нагрузка в течение всего периода работы значительно увеличивается.

Для точной оценки вибрационной нагрузки необходимо также учитывать время, в течение которого прибор отключен или включен, но фактически не используется. В этом случае вибрационная нагрузка в течение всего периода работы может существенно уменьшиться.

Установите дополнительные меры безопасности для защиты пользователя от воздействия вибрации, например: техническое обслуживание электроинструмента и используемого инструмента, поддержание рук в теплом состоянии, организация рабочих процессов.

ВНИМАНИЕ! Ознакомьтесь со всеми указаниями по безопасности и инструкциями, в том числе с инструкциями, содержащимися в прилагающейся брошюре. Упущения, допущенные при соблюдении указаний и инструкций по технике безопасности, могут стать причиной электрического поражения, пожара и тяжелых травм.
Сохраняйте эти инструкции и указания для будущего использования.

РЕКОМЕНДАЦИИ ПО ТЕХНИКЕ БЕЗОПАСНОСТИ

Используйте наушники! Воздействие шума может привести к потере слуха.

Если Вы выполняете работы, при которых режущий инструмент может зацепить скрытую электропроводку кабель, инструмент следует держать за специально предназначенные для этого изолированные поверхности. Контакт режущего инструмента с токоведущим проводом может ставить под напряжение металлические части прибора, а также приводить к удару электрическим током.

При работе с инструментом всегда надевайте защитные очки. Рекомендуется надевать перчатки, прочные нескользящие ботинки и фартук.

Не убирайте опилки и обломки при включенном инструменте.

Не используйте треснувшие или погнутые полотна пилы.

При пилении всегда прижимайте направляющий башмак к обрабатываемой детали.

Не касайтесь лезвием рабочей детали перед включением. Резку необходимо начать только после достижения полной скорости.

Если лезвие зажало или произошло прерывание резания, отпустите пусковой выключатель и удерживайте инструмент в рабочем материале в неподвижном состоянии до полной остановки лезвия. Никогда не перезапускайте инструмент, когда пильное лезвие находится в рабочем материале.

Не выбрасывайте использованные аккумуляторы вместе с домашним мусором и не сжигайте их. Дистрибьюторы

компании Milwaukee предлагают восстановление старых аккумуляторов, чтобы защитить окружающую среду.

Не храните аккумуляторы вместе с металлическими предметами во избежание короткого замыкания.

Не допускаются попадания каких-либо металлических предметов во аккумуляторный отсек зарядного устройства.

Для зарядки аккумуляторов модели C 18 используйте только зарядным устройством C 18. Не заряжайте аккумуляторы других систем.

Никогда не вскрывайте аккумуляторы или зарядные устройства и храните их только в сухих помещениях. Следите чтобы они всегда были сухими.

Аккумуляторная батарея может быть повреждена и дать течь под воздействием чрезмерных температур или повышенной нагрузки. В случае контакта с аккумуляторной кислотой немедленно промойте место контакта мылом и водой. В случае попадания кислоты в глаза промойте глаза в течении 10 минут и немедленно обратитесь за медицинской помощью.

ИСПОЛЬЗОВАНИЕ

Ленточная пила применяется для выполнения прямолинейных распилов различных видов металла, например, металлических профилей (UniStrut), труб, стоек для „сухих“ строительных конструкций, алюминиевых профилей, листового металла.

Не пользуйтесь данным инструментом способом, отличным от указанного для нормального применения.

ДЕКЛАРАЦИЯ О СООТВЕТСТВИИ СТАНДАРТАМ ЕС

Мы заявляем что этот продукт соответствует следующим стандартам:

EN 60745-1:2009 + A11:2010
EN 60745-2:20:2009
EN 55014-1:2006 + A1:2009 + A2:2011
EN 55014-2:1997 + A1:2001 + A2:2008
EN 61000-3-2, EN 61000-3-3

в соответствии с правилами

2011/65/EU (RoHS)

2006/42/EC

2004/108/EC



Winnenden, 2012-10-26

Rainer Kumpf
Manager Product Development

Уполномочен на составление технической документации.

АККУМУЛЯТОР

Новый аккумулятор заряжается до полной емкости после 4 - 5 зарядных циклов. Перед использованием аккумулятора, которым не пользовались некоторое время, его необходимо зарядить.

Температура свыше 50°C снижает работоспособность аккумуляторов. Избегайте продолжительного нагрева или прямого солнечного света (риск перегрева).

Контакты зарядного устройства и аккумуляторов должны содержаться в чистоте.

ЗАЩИТА АККУМУЛЯТОРА ОТ ПЕРЕГРУЗКИ

При перегрузке аккумулятора из-за очень высокого расхода электроэнергии, напр., предельно высоких крутящих моментов, заклинивания сверла, внезапной остановки или короткого замыкания, электроинструмент гудит 2 секунды и автоматически отключается.

Для повторного включения отпустить кнопку выключателя и затем снова включить.

При предельно высоких нагрузках аккумулятор может сильно нагреться. В этом случае аккумулятор отключится. Чтобы снова зарядить и активировать аккумулятор, подключите его к зарядному устройству.

Для достижения максимально возможного срока службы аккумуляторы после зарядки следует вынимать из зарядного устройства.

При хранении аккумулятора более 30 дней: Храните аккумулятор при 27°C в сухом месте. Храните аккумулятор с зарядом примерно 30% - 50%. Каждые 6 месяцев аккумулятор следует заряжать.

ОБСЛУЖИВАНИЕ

Всегда держите охлаждающие отверстия чистыми.

Пользуйтесь аксессуарами и запасными частями Milwaukee. В случае возникновения необходимости в замене, которая не была описана, обращайтесь в один из сервисных центров по обслуживанию электроинструментов Milwaukee (см. список сервисных организаций).

При необходимости может быть заказан чертеж инструмента с трехмерным изображением деталей. Пожалуйста, укажите десятизначный номер и тип инструмента и закажите чертеж у Ваших местных агентов или непосредственно у Milwaukee Electric Tool, Max-Eyth-Strasse 10, D-71364 Winnenden, Germany.

СИМВОЛЫ

Выньте аккумулятор из машины перед проведением с ней каких-либо манипуляций.



При работе с инструментом всегда надевайте защитные очки.



Надевать защитные перчатки!



Не выбрасывайте электроинструмент с бытовыми отходами! Согласно Европейской директиве 2002/96/EC по отходам от электрического и электронного оборудования и соответствующим нормам национального права вышедшие из употребления электроинструменты подлежат сбору отдельно для экологически безопасной утилизации.



Соответствие техническому регламенту



Национальный знак відповідності України

TR 066

ТЕХНИЧЕСКИ ДАННИ

M12 BS

Обороти на празен ход	0-85 m/min
Размери на режещия лист	687,4 x 12,7 x 0,5 mm
Макс. производителност на рязане правоъгълни профили	41,3 x 41,3 mm
Макс. производителност на рязане тръби	∅ 41,3 mm
Напрежение на акумулатора	12 V
Тегло съгласно процедурата EPTA 01/2003 (Акумулаторна батерия 1,5 Ah)	2,9 kg
Тегло съгласно процедурата EPTA 01/2003 (Акумулаторна батерия 3,0 Ah)	3,2 kg

Информация за шума/вибрациите

Измерените стойности са получени съобразно EN 60 745.

Оцененото с А ниво на шума на уреда е съответно:

Ниво на звукова мощност (K=3 dB(A))	74 dB (A)
Ниво на звукова мощност (K=3 dB(A))	85 dB (A)

Да се носи предпазно средство за слуха!

Общите стойности на вибрациите (векторна сума на три посоки) са определени в съответствие с EN 60745.

Рязане на дърво

Стойност на емисии на вибрациите a_{hv}	< 2,5 dB (A)
Несигурност K=	1,5 dB (A)

ВНИМАНИЕ

Посоченото в тези инструкции ниво на вибрациите е измерено в съответствие със стандартизиран в EN 60745 измервателен метод и може да се използва за сравнение на електрически инструменти помежду им. Подходящ е и за временна оценка на вибрационното натоварване.

Посоченото ниво на вибрациите представя основните приложения на електрическия инструмент. Ако обаче електрическият инструмент се използва с друго предназначение, с различни сменяеми инструменти или при недостатъчна техническа поддръжка, нивото на вибрациите може да е различно. Това чувствително може да увеличи вибрационното натоварване по време на целия работен цикъл.

За точната оценка на вибрационното натоварване трябва да се вземат предвид и периодите от време, в които уредът е изключен или работи, но в действителност не се използва. Това чувствително може да намали вибрационното натоварване по време на целия работен цикъл.

Определете допълнителни мерки по техника на безопасност в защита на обслужващия работник от въздействието на вибрациите като например: техническа поддръжка на електрическия инструмент и сменяемите инструменти, поддръжане на ръцете топли, организация на работния цикъл.

⚠ ВНИМАНИЕ! Прочетете указанията за безопасност и съветите в приложената брошура. Неспазването на приведените по-долу указания може да доведе до токов удар, пожар и/или тежки травми.

Съхранявайте тези указания на сигурно място.

СПЕЦИАЛНИ УКАЗАНИЯ ЗА БЕЗОПАСНОСТ

Носете средство за защита на слуха. Въздействието на шума може да предизвика загуба на слуха.

Дръжте уреда за изолираните ръкохватки, когато извършвате работи, при които режещият инструмент може да засегне скрити електроинсталационни кабели. Контактът на режещия инструмент с тоководещ проводник може да предаде напрежението върху метални части на уреда и да доведе до токов удар.

При работа с машината винаги носете предпазни очила. Препоръчват се също така предпазни ръкавици, здрави и нехлъзгащи се обувки, както и престилка.

Стружки или отчупени парчета да не се отстраняват, докато машина работи.

Да не се използват напукани режещи листове или такива, които са се деформирали!

При рязане водещата скоба винаги да приляга към обработвания материал..

Не включвайте машината, когато режещият диск е допрян в материала. Първо се включва машината и след това се връзва в материала.

Ако режещият диск се заклини, веднага изключете машината и, когато режещият диск спре да се върти, извадете машината от материала. Никога не включвайте машината, когато режещият диск още е допрян в материала.

Не изхвърляйте изхабените акумулатори в огъня или в битовите отпадъци. Milwaukee предлага екологосъобразно събиране на старите акумулатори; моля попитайте Вашия специализиран търговец.

Не съхранявайте акумулаторите заедно с метални предмети (опасност от късо съединение).

В гнездото за акумулатори на зарядните устройства не бива да попадат метални части (опасност от късо съединение).

Акумулатори от системата C 18 да се зареждат само със зарядни устройства от системата C 18 laden. Да не се зареждат акумулатори от други системи.

Не отваряйте акумулатори и зарядни устройства и ги съхранявайте само в сухи помещения. Пазете ги от влага.

При екстремно натоварване или екстремна температура от повредени акумулатори може да изтече батерийна течност. При допир с такава течност веднага измийте с вода и сапун. При контакт с очите веднага изплаквайте старателно най-малко 10 минути и незабавно потърсете лекар.

ИЗПОЛЗВАНЕ ПО ПРЕДНАЗНАЧЕНИЕ

Лентоотрезната машина може да се използва за отрязване на праволинейни сръзове в различни видове метал, като напр. метални профили (UniStrut), тръби, стойки за сухо строителство, кабелни канали, алуминиеви профили.

Този уред може да се използва по предназначение само както е посочено.

СЕ - ДЕКЛАРАЦИЯ ЗА СЪОТВЕТСТВИЕ

Декларираме на собствена отговорност, че този продукт съответства на следните стандарти или нормативни документи:
EN 60745-1:2009 + A11:2010
EN 60745-2-20:2009
EN 55014-1:2006 + A1:2009 + A2:2011
EN 55014-2:1997 + A1:2001 + A2:2008
EN 61000-3-2, EN 61000-3-3
съобразно предписанията на директивите 2011/65/EU (RoHS)
2006/42/EO
2004/108/EO



Winnenden, 2012-10-26

Rainer Kumpf
Manager Product Development

Упълномощен за съставяне на техническата документация

АКУМУЛАТОРИ

Новите сменяеми акумулатори достигат пълния си капацитет след 4-5 цикъла на зареждане и разреждане. Акумулатори, които не са ползвани по-дълго време, преди употреба да се дозаредят.

Температура над 50°C намалява мощността на акумулатора. Да се избягва по-продължително нагряване на слънце или от отопление.

Поддържайте чисти присъединителните контакти на зарядното устройство и на акумулатора.

ЗАЩИТА ОТ ПРЕТОВАРВАНЕ НА БАТЕРИЯТА

При претоварване на акумулатора поради много висока консумация на ток, напр. много високи въртящи моменти, заклиняване на свредлото, внезапен стоп или късо съединение, електрическият инструмент бръмчи 2 секунди и самостоятелно се изключва.

За ново включване освободете бутона за включване и отново го включете.

При извънредни натоварвания акумулаторът може да се нагрее силно. В този случай акумулаторът изключва. Тогава акумулаторът да се включи към зарядното устройство, за да се дозареди и активира.

За възможно по-дълга продължителност на живот батериите трябва да се изваждат от уреда след зареждане.

При съхранение на батериите за повече от 30 дни: съхранявайте батерията при прилб. 27°C и на сухо място. Съхранявайте батерията при 30 до 50 % от заряда. Зареждайте батерията на всеки 6 месеца.

ПОДДРЪЖКА

Вентилационните шлицы на машината да се поддържат винаги чисти.

Да се използват само аксесоари на Milwaukee и резервни части на Milwaukee. Елементи, чията подмяна не е описана, да се дадат за подмяна в сервис на Milwaukee (вижте брошурата „Гаранция и адреси на сервиси“).

При необходимост можете да поискате за уреда от Вашия сервис или директно от Milwaukee Electric Tool, Max-Eyth-Straße 10, D-71364 Winnenden, Germany, чертеж за в случай на експлозия, като посочите типа на машината и десетцифрения номер върху заводската табелка.

СИМВОЛИ



Преди започване на каквито и да е работи по машината извадете акумулатора.



При работа с машината винаги носете предпазни очила.



Да се носят предпазни ръкавици!



Не изхвърляйте електроинструменти при битовите отпадъци! Съобразно Европейската директива 2002/96/EO за стари електрически и електронни уреди и нейното реализиране в националното законодателство изхабените електроинструменти трябва да се събират отделно и да се предават в пункт за екологосъобразно рециклиране.

DATE TEHNICE**M12 BS**

Viteza de mers în gol.....	0-85 m/min
Dimensiuni pânăză.....	687,4 x 12,7 x 0,5 mm
Performanța maximă de tăiere profile dreptunghiulare	41,3 x 41,3 mm
Performanța maximă de tevi.....	ø 41,3 mm
Tensiune acumulator	12 V
Greutatea conform „EPTA procedure 01/2003” (Acumulator 1,5 Ah)	2,9 kg
Greutatea conform „EPTA procedure 01/2003” (Acumulator 3,0 Ah)	3,2 kg

Informație privind zgomotul/vibrațiile

Valori măsurate determinate conform EN 60 745.

Nivelul de zgomot evaluat cu A al aparatului este tipic de:

Nivelul presiunii sonore (K=3 dB(A)).....	74 dB (A)
Nivelul sunetului (K=3 dB(A)).....	85 dB (A)

Purtați căști de protecție

Valorile totale de oscilație (suma vectorială pe trei direcții) determinate conform normei EN 60745.

Tăiere de lemn

Valoarea emisiei de oscilații a _h	< 2,5 dB (A)
Nesiguranță K=.....	1,5 dB (A)

AVERTISMENT

Gradul de oscilație indicat în prezentele instrucțiuni a fost măsurat în conformitate cu o procedură de măsurare normată prin norma EN 60745 și poate fi folosit pentru a compara unelte electrice între ele. El se pretează și pentru o evaluare provizorie a solicitării la oscilații.

Gradul de oscilație indicat reprezintă aplicațiile principale ale uneltelor electrice. În cazul în care însă uneltelor electrice au fost folosite pentru alte aplicații, ori au fost folosite unelte de muncă diferite ori acestea nu au fost supuse unei suficiente inspecții de întreținere, gradul de oscilație poate fi diferit. Acest fapt poate duce la o creștere netă a solicitărilor la oscilații dealungul întregii perioade de lucru.

În scopul unei evaluări exacte a solicitării la oscilații, urmează să fie luate în considerație și perioadele de timp în care aparatul a fost oprit ori funcționează dar, în realitate, el nu este folosit în mod practic. Acest fapt poate duce la o reducere netă a solicitărilor la oscilații dealungul întregii perioade de lucru.

Stabiliți măsuri de siguranță suplimentare în scopul protecției utilizatorului de efectele oscilațiilor, de exemplu: inspecție de întreținere a uneltelor electrice și a celor de muncă, păstrarea caldă a mâinilor, organizarea proceselor de muncă.

AVERTISMENT! Citiți toate avizele de siguranță și indicațiile, chiar și cele din borșura alăturată.

Nerespectarea indicațiilor de avertizare și a instrucțiunilor poate provoca electrocutare, incendii și/sau răniri grave.

Păstrați toate indicațiile de avertizare și instrucțiunile în vederea utilizărilor viitoare.

INSTRUCȚIUNI DE SECURITATE

Purtați aparatoare de urechi. Expunerea la zgomot poate produce pierderea auzului.

Țineți aparatul de mânerul izolat când executați lucrări la care scula tăietoare poate nimeri peste conductorii electrici acunși. Intrarea în contact a sculei tăietoare cu o linie electrică prin care circulă curent poate pune sub tensiune și componente metalice ale aparatului și să ducă la electrocutare.

Purtați întotdeauna ochelari de protecție atunci când utilizați mașina. Se recomandă purtarea mănușilor, a încălțăminte solide nealunecoase și sortului de protecție.

Rumegușul și spanul nu trebuie îndepărtate în timpul funcționării mașinii.

Nu folosiți lame de ferăstrău crăpate sau deformatate.

Așezați întotdeauna papucul de ghidare pe piesa de lucru în timpul tăierii.

Nu porniți lama când este în contact cu piesa de prelucrat.

Așteptați ca lama să atingă viteza nominală înainte de a începe tăierea.

Când lama se îndoiaie sau o tăiere se întrerupe din orice motiv, eliberați butonul și țineți cuțitul nemișcat în material până când lama se oprește complet. Nu reporniți niciodată mașina cu lama în contact cu piesa de prelucrat.

Nu aruncați acumulatorii uzați la containerul de reziduri menajere și nu îi ardeți. Milwaukee Distributors se oferă să recupereze acumulatorii vechi pentru protecția mediului înconjurător.

Nu depozitați acumulatorul împreună cu obiecte metalice (risc de scurtcircuit)

Nu se permite introducerea nici unei piese metalice în locașul pentru acumulator al încărcătorului. (risc de scurtcircuit)

Nu depozitați acumulatorul împreună cu obiecte metalice (risc de scurtcircuit)

Nu se permite introducerea nici unei piese metalice în locașul pentru acumulator al încărcătorului. (risc de scurtcircuit)

Nu se permite introducerea nici unei piese metalice în locașul pentru acumulator al încărcătorului. (risc de scurtcircuit)

DECLARAȚIE DE CONFORMITATE

Declaram pe propria răspundere că acest produs este în conformitate cu următoarele standarde sau documente standardizate
 EN 60745-1:2009 + A11:2010
 EN 60745-2-20:2009
 EN 55014-1:2006 + A1:2009 + A2:2011
 EN 55014-2:1997 + A1:2001 + A2:2008
 EN 61000-3-2, EN 61000-3-3
 în conformitate cu reglementările
 2011/65/EU (RoHS)
 2006/42/CE
 2004/108/CE



Winnenden, 2012-10-26

Rainer Kumpf
 Manager Product Development

Împuternicit să elaboreze documentația tehnică.

ACUMULATORI

Noile pachete de acumulatori ating capacitatea totală de încărcare după 4-5 încărcări și descărcări. Acumulatorii care nu au fost utilizați o perioadă de timp trebuie reîncărcați înainte de utilizare.

Temperatura mai mare de 50°C (122°F) reduce performanța acumulatorului. Evitați expunerea prelungită la căldură sau radiație solară (risc de supraîncălzire)

Contactele încărcătoarelor și acumulatorilor trebuie păstrate curate.

PROTECȚIE SUPRAÎNCĂRCARE ACUMULATOR

În caz de supraîncărcare a acumulatorului prin consum foarte ridicat de curent, de ex. cupluri mecanice extrem de mari, înțepenirea burghiului, întrerupere bruscă sau scurtcircuit, unealta electrică produce timp de 2 secunde un zgomot înfundat, după care se decuplează de la sine.

În vederea recuperării, dați drumul butonului de comutare, iar apoi efectuați o nouă cuplare.

În condiții de încărcări extreme, acumulatorul se poate încălzi peste măsură. În acest caz, acumulatorul se decuplează. Pentru a-l reîncărca și activa, puneți acumulatorul în în aparatul de încărcare.

Pentru o durată de viață cât mai lungă, acumulatorii ar trebui scoși din încărcător după încărcare.

La depozitarea acumulatorilor mai mult de 30 zile: Acumulatorii se depozitează la cca. 27°C și la loc uscat. Acumulatorii se depozitează la nivelul de încărcare de cca. 30%-50%.

Acumulatorii se încarcă din nou la fiecare 6 luni.

INTREȚINERE

Fantele de aerisire ale mașinii trebuie să fie menținute libere tot timpul

Utilizați numai accesorii și piese de schimb Milwaukee. Dacă unele din componente care nu au fost descrise trebuie înlocuite, vă rugăm contactați unul din agenții de service Milwaukee (vezi lista noastră pentru service / garanție)

Dacă este necesară, se poate comanda o imagine descompusă a sculei. Vă rugăm menționați numărul art. Precum și tipul mașinii tipărit pe etichetă și comandați desenul la agenții de service locali sau direct la Milwaukee Electric Tool, Max-Eyth-Straße 10, D-71364 Winnenden, Germany.

SYMBOLURI

Îndepărtați acumulatorul înainte de începerea lucrului pe mașina



Purtați întotdeauna ochelari de protecție când utilizați mașina.



Purtați mănuși de protecție!



Nu aruncați scule electrice în gunoii menajeri! Conform directivei europene nr. 2002/96/CE referitor la aparate electrice și electronice uzate precum și la transpunerea acesteia în drept național, sculele electrice trebuie colectate separat și introduse într-un circuit de reciclare ecologic.

ТЕХНИЧКИ ПОДАТОЦИ

M12 BS

Брзина без оптоварување	0-85 m/min
Големина на сечило	687,4 x 12,7 x 0,5 mm
Максимални перформанси при сечење Правоаголни делови	41,3 x 41,3 mm
Максимални перформанси при сечење Цевки	∅ 41,3 mm
Волтажа на батеријата	12 V
Тежина според ЕПТА-процедурата 01/2003 (Батерија 1,5 Ah)	2,9 kg
Тежина според ЕПТА-процедурата 01/2003 (Батерија 3,0 Ah)	3,2 kg

Информација за бучавата/вибрациите

Измерените вредности се одредени согласно стандардот EN 60 745.

A-оценетото ниво на бучава на апаратот типично изнесува:

Ниво на јачина на звук	74 dB (A)
Ниво на звучен притисок	85 dB (A)

Носте штитник за уши.

Вкупни вибрациски вредности (векторски збир на трите насоки) пресметани согласно EN 60745.

Метали

Вибрациска емисиона вредност ah	< 2,5 dB (A)
Несигурност K	1,5 dB (A)

ПРЕДУПРЕДУВАЊЕ

Нивото на осцилација наведено во овие инструкции е измерено во согласност со мерните постапки нормирани во EN 60745 и може да биде употребено за меѓусебна споредба на електро-алати. Ова ниво може да се употреби и за привремена проценка на оптоварувањето на осцилацијата.

Наведеното ниво на осцилација ги репрезентира главните намени на електро-алатот. Но, доколку електро-алатот се употребува за други намени, со отстапувачки додатоци или со несоодветно одржување, нивото на осцилација може да отстапи. Тоа може значително да го зголеми оптоварувањето на осцилацијата за време на целиот работен период.

За прецизна проценка на оптоварувањето на осцилацијата предвид треба да бидат земени и времињата, во коишто апаратот е исклучен или работи, но фактички не се употребува. Тоа може значително да го намали оптоварувањето на осцилацијата за време на целиот работен период.

Утврдете дополнителни безбедносни мерки за заштита на операторот од влијанието на осцилациите, како на пример: одржување на електро-алатот и на додатоци кон електро-алатот, одржување топли раце, организација на работните процеси.

⚠ ПРЕДУПРЕДУВАЊЕ! Прочитајте ги сите безбедносни упатства и инструкции.

Заборавање на почитувањето на безбедносните упатства и инструкции можат да предизвикаат електричен удар, пожар и/или тешки повреди.

Сочувајте ги сите безбедносни упатства и инструкции за во иднина.

УПАТСТВО ЗА УПОТРЕБА

Носете штитник за уши. Изложеноста на бука може да предизвика губење на слухот.

Држете го електричниот алат за издадените површини при изведување на операции при кои алатот за сечење можат да дојдат во контакт со скриени жици. Контакт со жица под напон исто така ќе направи проводници од металните делови и оној кој ракува со алатот ќе доживее струен удар.

Секогаш носете ракавици кога ја користите машината. Исто така препорачливо е да се носат очила, цврсти чевли кои не се лизгаат и престилка.

Прашината и струготините не смеат да се одстрануваат додека е машината работи.

Не користете скршени или изболчени сечила.

Секогаш при сечење поставете ја водилката врз работното парче.

Не го стартувајте сечилото доколку е во контакт со обработуваното парче. Пред да почнете со сечење почекајте сечилото да постигне полна брзина.

Кога сечилото се свиткало, при прекин од било која причина, ослободете го прекинувачот и држете го ножот во материјалот без да делувате, се додека не дојде до потполно запирање на сечилото. Никогаш не ја рестартирајте машината со сечилото во контакт со обработуваното парче.

Не ги оставајте искористените батерии во домашниот отпад и не горете ги. Дистрибутерите на Милвоки ги собираат старите батерии, со што ја штитат нашата околина.

Не ги чувајте батериите заедно со метални предмети (ризик од краток спој).

Метални парчиња не смеат да навлезат во делот за полнење на батерија (ризик од краток спој).

Користете исклучиво Систем С 18 за полнење на батерии од С 18 систем. Не користете батерии од друг систем.

Не ги отворајте насилно батериите и полначите, и чувајте ги само на суво место. Чувајте ги постојано суви.

Киселината од оштетените батериите може да истече при екстрем напон или температури. Доколку дојдете во контакт со исатата, измијте се веднаш со сапун и вода. Во случај на контакт со очите плакнете ги убаво најмалку 10 минути и задолжително одете на лекар.

СПЕЦИФИЦИРАНИ УСЛОВИ НА УПОТРЕБА

Тракастото сечило сече надолжно и триаголно прецизно во различни типови на метали како метални профили, цевки, метална арматура, канали, алуминиумски профили, метални.

Не го користете овој производ на било кој друг начин освен пропишаниот за нормална употреба.

ЕУ-ДЕКЛАРАЦИЈА ЗА СООБРАЗНОСТ

Ние во целосна одговорност изјавуваме дека овој производ е во сообразност со следните стандарди и стандардизирани документи.
EN 60745-1:2009 + A11:2010
EN 60745-2-20:2009
EN 55014-1:2006 + A1:2009 + A2:2011
EN 55014-2:1997 + A1:2001 + A2:2008
EN 61000-3-2, EN 61000-3-3

и е во согласност со прописите
2011/65/EU (RoHS)

2006/42/EC
2004/108/EC



Winnenden, 2012-10-26

Rainer Kumpf
Manager Product Development

Ополномоштен за составување на техничката документација.

БАТЕРИИ

Нови комплекти батерии постигнуваат целосен капацитет по 4-5 циклуса на полнење и празнење. Подолг период неупотребувани комплекти батерии да се наполнат пред употреба.

Температура повисока од 50°C (122°F) го намалуваат траењето на батериите. Избегнувајте подолго изложување на батериите на високи температури или сонце (ризик од прегревање).

Клемите на полначот и батериите мора да бидат чисти.

ЗАШТИТА ОД ПРЕОПТЕРЕТУВАЊЕ НА БАТЕРИЈАТА

При преоптоварување на батеријата со многу висока потрошувачка на струја, на пример екстремно високи вртежни моменти, заглавување на дупчалката, ненадејно запирање или краток спој, електро-уредот бучи 2 секунди, а потоа самостојно се гаси.

За повторно вклучување ослободете го прекинувачот и вклучете повторно.

Во случај на екстремни оптоварувања батеријата може да загрее многу. Во таков случај батеријата исклучува. Тогаш ставете ја батеријата во уредот за полнење за повторно да ја наполните и активирате.

За можно подолг век на траење, апаратите после нивното полнење треба да бидат извадени од апаратот за полнење на батериите.

Во случај на складирање на батеријата подолго од 30 дена: Акумулаторот да се чува на температура од приближно 27°C и на суво место.

Акумулаторот да се складира на приближно 30%-50% од состојбата на наполнетост.

Акумулаторот повторно да се наполни на секои 6 месеци.

ОДРЖУВАЊЕ

Вентилациските отвори на машината мора да бидат комплетно отворени постојано.

Користете само Milwaukee додатоци и резервни делови. Доколку некои од компонентите кои не се опишани треба да бидат заменети, Ве молиме контактирајте ги сервисните агенти на Milwaukee (консултирајте ја листата на адреси).

Доколку е потребно можно е да биде набавен детален приказ на алатот. Ве молиме наведете го бројот на артикулот како и типот на машина кој е отпечатен на етикетата и порачајте ја скицата кај локалниот застапник или директно кај: Milwaukee Electric Tool, Max-Eyth-Straße 10, D-71364 Winnenden, Germany.

СИМБОЛИ



Извадете го батерискиот склоп пред отпочнување на каков и да е зафат врз машината.



Секогаш при користење на машината носете ракавици.



Носете ракавици!



Не ги фрлајте електричните апарати заедно со другиот домашен отпад! Европска регулатива 2002/96/EC за одлагање на електрична и електронска опрема и се применува согласно националните закони. Електричните апарати кои го достигнале крајот на својот животен век мора да бидат одвоено собрани и вратени во соодветна рециклажна установа.

技术数据 M12 BS

无负载转速	0-85 m/min
锯片尺寸	687,4 x 12,7 x 0,5 mm
最大锯割功率 长方形的型材	41,3 x 41,3 mm
最大锯割功率 管子	ø 41,3 mm
蓄电池电压	12 V
重量符合EPTA—Procedure01/2003 (蓄电池 1,5 Ah)	2,9 kg
重量符合EPTA—Procedure01/2003 (蓄电池 3,0 Ah)	3,2 kg

噪音/振动信息
本测量值符合 EN 60745 条文的规定。

器械的标准A-值噪音级为：	
音压值 (K=3dB(A))	74 dB (A)
音量值 (K=3dB(A))	85 dB (A)

请戴上护耳罩！

依欧盟EN 60745 标准确定的振荡总值（三方向矢量和）。

木材锯开	
ah-振荡发射值	< 2,5 dB (A)
K-不可靠性	1,5 dB (A)

注意

本规程列出的依欧盟EN 60745 标准一项标准测量方法测量的振荡级也可用于电动工具比较并适合于临时振荡负荷估计。
该振荡级代表电动工具的主要应用。电动工具的其他应用，不正确的工作工具或欠缺维护可造成振荡级偏差。此可明确提高总工作期间的振荡负荷。

正确地估计一定工作期间的振荡负荷也要考虑到工具关闭或接通而不使用的期间。此可明确减少总工作期间的振荡负荷。

为提高操作人员对振荡作用的保护得规定补充安全措施：电动工具及工作工具的维护，温手，工作过程组织等。

△ 注意！务必仔细阅读所有安全说明和安全指示（应注意阅读附上的小册子）。如未确实 遵循警告提示和指示，可能导致电击、火灾并且/ 或其他的严重伤害。
妥善保存所有的警告提示和指示，以便日后查阅。

特殊安全指示

请戴上耳罩。工作噪音会损坏听力。
切割工具会碰到隐藏电线或自己的电缆时，得将器械握住于其绝缘把手表面。
切割工具接触到通电电线可将电压加到器械的金属部分并造成电击。

操作机器时务必佩戴护目镜。最好也穿戴工作手套、坚固防滑的鞋具和工作围裙。

如果机器仍在运转，切勿清除其上的木屑或金属碎片。

不可以使用有裂痕或已经变形的锯刀。

锯割时一定要把导引架靠在工件上。

如果锯刀片接触工件，勿开动机器。先开动机器，然后再把锯刀推入工件中。

如果锯刀被夹住了必须马上关闭机器，等待机器完全静止后再从工件中拔出锯刀。如果锯刀片仍然靠在工件上则勿开动机器。

损坏的蓄电池不可以丢入火中或一般的家庭垃圾中。Milwaukee 提供了符合环保要求的回收项目： 请向您的专业经销商索取有关详情。

蓄电池不可以和金属物体存放在一起（可能产生短路）。

充电器的充电格中，不可以存在任何金属物质（可能产生短路）。

C 18 系列的蓄电池只能和 C 18 系列的充电器配合使用。不可以使用本充电器为其它系列的电池充电。

不可拆开蓄电池和充电器。蓄电池和充电器必须储藏在干燥的空间，勿让湿气渗入。

在过度超荷或极端的温度下，可能从损坏的蓄电池中流出液体。如果触摸了此液体，必须马上使用肥皂和大量清水冲

洗。如果此类流体侵入眼睛，马上用清水彻底清洗眼睛（至少冲洗 10 分钟），接着即刻就医治疗。

正确地使用机器

本线锯适合在不同的物料上进行直线锯割，例如金属型材（UniStrut），管子，建筑铁架，电缆管，铝型材，铁片等。
请依照本说明书的指示使用此机器。

蓄电池

新的蓄电池经过 4 - 5 次的充、放电后，可达到最大的电容量。
长期储放的蓄电池，必须先充电再使用。

如果周围环境的温度超过摄氏 50 度，蓄电池的功能会减弱。勿让蓄电池长期曝露在阳光或暖气下。

充电器和蓄电池的接触点都必须保持干净。

蓄电池超载保护

极端高扭矩，钻头被卡住，突然停止或短路等情况下特别高电流消耗所造成蓄电池超载时，电动工具发出哼声两秒并自动断开。
为继续工作，放开开关按钮并再接通。

极端超载时，蓄电池过热。这种情况下，蓄电池自动断开。此时，将蓄电池插入充电器，再充电并激活蓄电池。

为确保最长使用寿命，充电后应把蓄电池从充电器取出。

蓄电池储存时间长于30日：
在环境温度27°C左右干燥处储存蓄电池。
在百分之30至50充状态储存蓄电池。
每6月重新充电。

维修

机器的通气孔必须随时保持清洁。

只能使用 Milwaukee 的配件和 Milwaukee 的零件。缺少检修说明的机件如果损坏了，必须交给 Milwaukee 的顾客服务中心更换（参考手册“保证书 / 顾客服务中心地址”）。

如果需要机器的分解图，可以向您的顾客服务中心或直接向 Milwaukee Electric Tool, Max-Eyth-Straße 10, D-71364 Winnenden, Germany。案件时必须提供以下资料： 机型和机器铭牌上的十位数号码。

符号



在机器上进行任何修护工作之前，先拿出蓄电池。



操作机器时务必佩戴护目镜。



请戴好工作手套！



不可以把损坏的电动工具丢弃在家庭垃圾中！根据被欧盟各国引用的有关旧电子机器的欧洲法规2002/96/EG，必须另外收集旧电子机器，并以符合环保规定的方式回收再利用。

Copyright 20102
Milwaukee Electric Tool
Max-Eyth-Straße 10
D-71364 Winnenden
Germany
+49 (0) 7195-12-0



(10.12)

Printed in Germany **4931 4142 20**