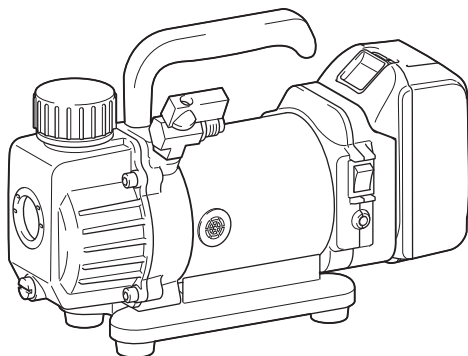




EN	Cordless Vacuum Pump	Instruction Manual	4
SV	Batteridrivnen vakuumpump	Bruksanvisning	11
NO	Batteridrevet vakuumpumpe	Bruksanvisning	18
FI	Akkukäyttöinen tyhjiöpumppu	Käyttöohje	25
LV	Bezvada vakuumsūknis	Lietošanas rokasgrāmata	32
LT	Belaidis vakuuminis siurblys	Naudojimo instrukcija	39
ET	Juhtmeta vaakumpump	Kasutusjuhend	46
RU	Аккумуляторный Вакуумный Насос	Инструкция по эксплуатации	53

DVP180



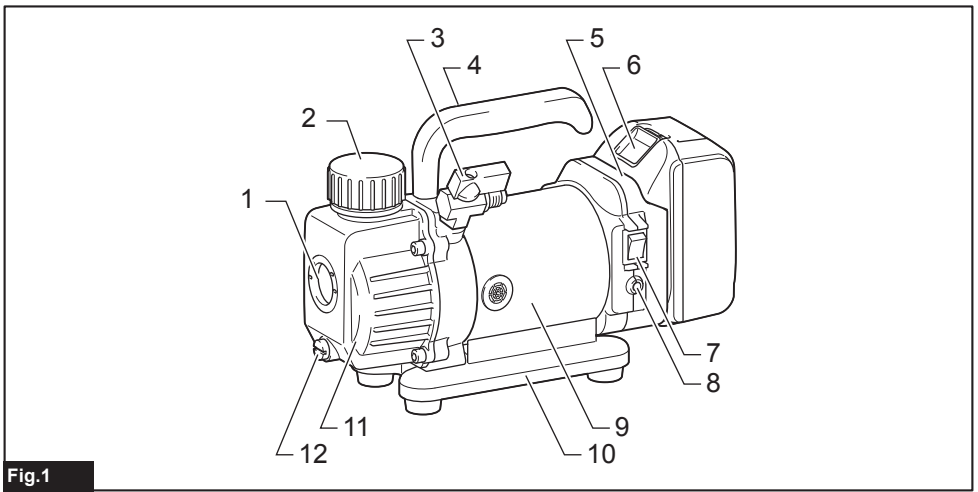


Fig.1

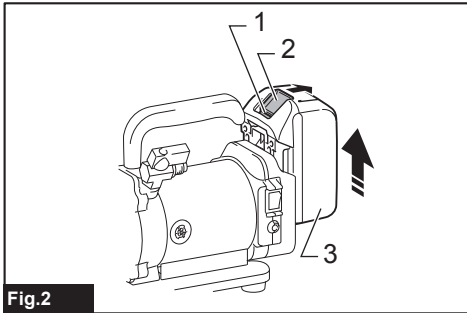


Fig.2

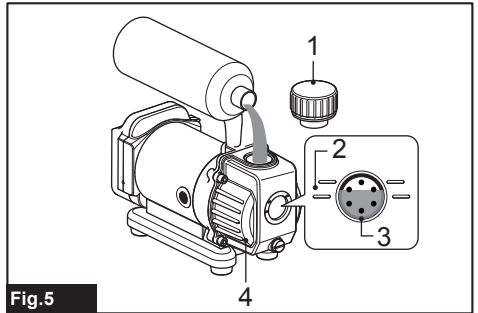


Fig.5

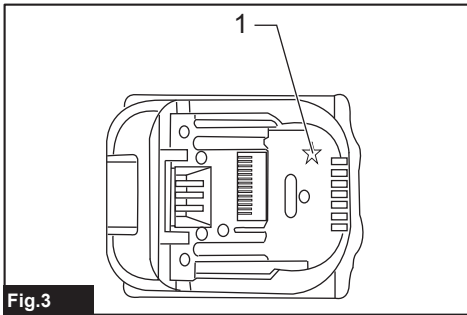


Fig.3

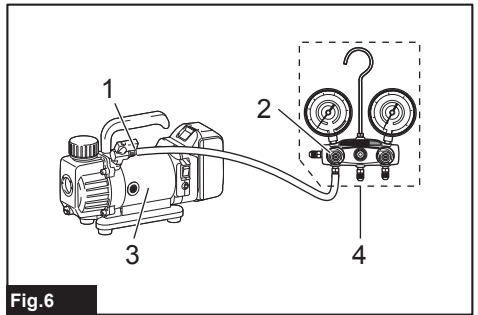


Fig.6

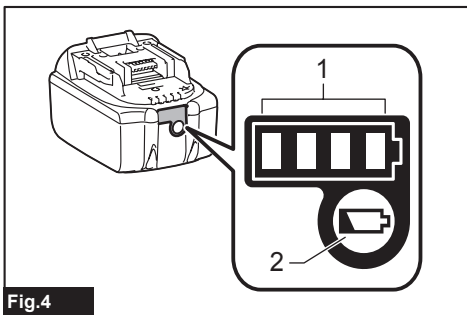


Fig.4

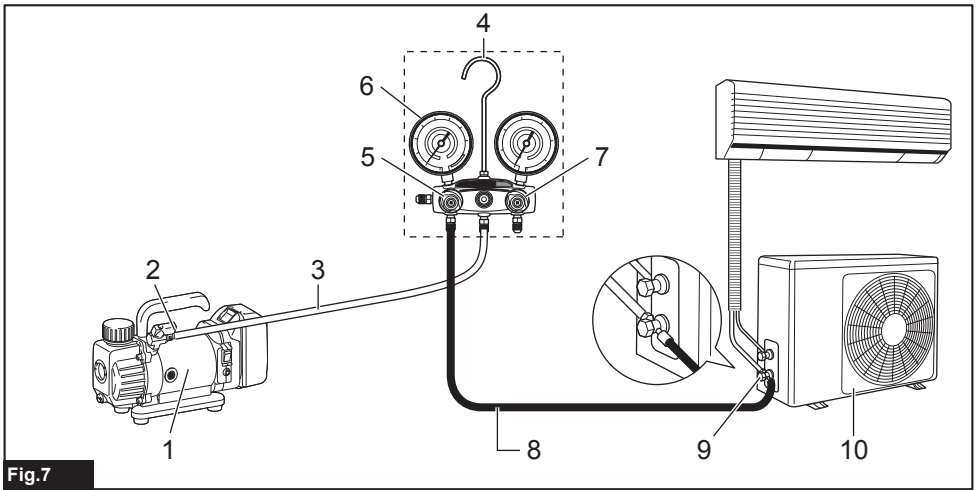


Fig.7

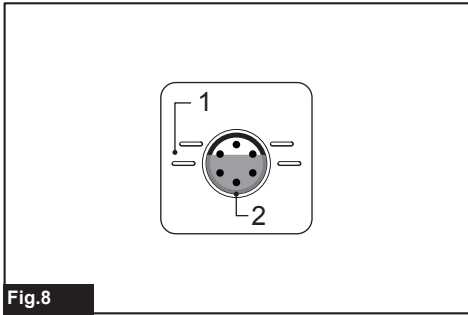


Fig.8

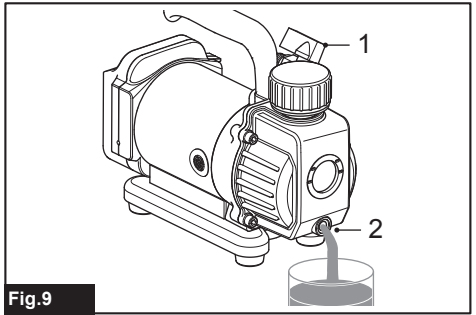


Fig.9

SPECIFICATIONS

Model:	DVP180
Battery cartridge (capacity)	BL 1860B (6.0 Ah) BL 1850 / BL 1850B (5.0 Ah) BL 1840 / BL 1840B (4.0 Ah) BL 1830 / BL 1830B (3.0 Ah)
Rated voltage	D.C. 18 V
Pump	Single stage rotary pump
Free air displacement	50 L/min
Ultimate vacuum	20 Pa
Oil capacity	100 – 115 ml
Intake	5/16" flare male
Dimensions	263 mm (L) × 93 mm (W) × 172 mm (H)
Net weight (with the BL1850 battery)	3.5 kg

- Due to our continuing program of research and development, the specifications herein are subject to change without notice.
- Specifications and battery cartridge may differ from country to country.
- Weight, with battery cartridge, according to EPTA-Procedure 01/2003

Vacuum pump for air evacuation of closed systems (air conditioners, tanks, etc).

This equipment is specially designed for HVAC&R systems.

The single stage of these pumps make it feasible to achieve the final vacuum level requested.

Big sight glass and low oil level design avoids running without oil and ensures reliable usage.

Besides, the check valve avoids any oil mixture due to the backflow after a power interruption or any other process interruption.

Symbols

The following show the symbols used for the equipment. Be sure that you understand their meaning before use.



- Read instruction manual.



- **Warning: hot surface!**
Do not touch around this symbol. Touching the surface may cause burns or injuries.



- Only for EU countries
Do not dispose of electric equipment or battery pack together with household waste material!

In observance of the European Directives, on Waste Electric and Electronic Equipment and Batteries and Accumulators and Waste Batteries and Accumulators and their implementation in accordance with national laws, electric equipment and batteries and battery pack(s) that have reached the end of their life must be collected separately and returned to an environmentally compatible recycling facility.

EC DECLARATION OF CONFORMITY

For European countries only

The EC declaration of conformity is included as Annex A to this instruction manual.

General power tool safety warnings

⚠ WARNING: Read all safety warnings and all instructions. Failure to follow the warnings and instructions may result in electric shock, fire and/or serious injury.

Save all warnings and instructions for future reference.

The term “power tool” in the warnings refers to your mains-operated (corded) power tool or battery-operated (cordless) power tool.

Work area safety

1. **Keep work area clean and well lit.** Cluttered or dark areas invite accidents.
2. **Do not operate power tools in explosive atmospheres, such as in the presence of flammable liquids, gases or dust.** Power tools create sparks which may ignite the dust or fumes.
3. **Keep children and bystanders away while operating a power tool.** Distractions can cause you to lose control.

Electrical safety

4. **Power tool plugs must match the outlet. Never modify the plug in any way. Do not use any adapter plugs with earthed (grounded) power tools.** Unmodified plugs and matching outlets will reduce risk of electric shock.
5. **Avoid body contact with earthed or grounded surfaces such as pipes, radiators, ranges and refrigerators.** There is an increased risk of electric shock if your body is earthed or grounded.
6. **Do not expose power tools to rain or wet conditions.** Water entering a power tool will increase the risk of electric shock.
7. **Do not abuse the cord. Never use the cord for carrying, pulling or unplugging the power tool. Keep cord away from heat, oil, sharp edges or moving parts.** Damaged or entangled cords increase the risk of electric shock.
8. **When operating a power tool outdoors, use an extension cord suitable for outdoor use.** Use of a cord suitable for outdoor use reduces the risk of electric shock.
9. **If operating a power tool in a damp location is unavoidable, use a ground fault circuit interrupter (GFCI) protected supply.** Use of an GFCI reduces the risk of electric shock.

Personal safety

10. **Stay alert, watch what you are doing and use common sense when operating a power tool. Do not use a power tool while you are tired or under the influence of drugs, alcohol or medication.** A moment of inattention while operating power tools may result in serious personal injury.
11. **Use personal protective equipment. Always wear eye protection.** Protective equipment such as dust mask, non-skid safety shoes, hard hat, or hearing protection used for appropriate conditions will reduce personal injuries.
12. **Prevent unintentional starting. Ensure the switch is in the off-position before connecting to power source and/or battery pack, picking up or carrying the tool.** Carrying power tools with your finger on the switch or energising power tools that have the switch on invites accidents.
13. **Remove any adjusting key or wrench before turning the power tool on.** A wrench or a key left attached to a rotating part of the power tool may result in personal injury.
14. **Do not overreach. Keep proper footing and balance at all times.** This enables better control of the power tool in unexpected situations.
15. **Dress properly. Do not wear loose clothing or jewellery. Keep your hair, clothing, and gloves away from moving parts.** Loose clothes, jewellery or long hair can be caught in moving parts.
16. **If devices are provided for the connection of dust extraction and collection facilities, ensure these are connected and properly used.** Use of dust collection can reduce dust-related hazards.

Power tool use and care

17. **Do not force the power tool. Use the correct power tool for your application.** The correct power tool will do the job better and safer at the rate for which it was designed.

18. **Do not use the power tool if the switch does not turn it on and off.** Any power tool that cannot be controlled with the switch is dangerous and must be repaired.
19. **Disconnect the plug from the power source and/or the battery pack from the power tool before making any adjustments, changing accessories, or storing power tools.** Such preventive safety measures reduce the risk of starting the power tool accidentally.
20. **Store idle power tools out of the reach of children and do not allow persons unfamiliar with the power tool or these instructions to operate the power tool.** Power tools are dangerous in the hands of untrained users.
21. **Maintain power tools. Check for misalignment or binding of moving parts, breakage of parts and any other condition that may affect the power tool's operation. If damaged, have the power tool repaired before use.** Many accidents are caused by poorly maintained power tools.
22. **Keep cutting tools sharp and clean.** Properly maintained cutting tools with sharp cutting edges are less likely to bind and are easier to control.
23. **Use the power tool, accessories and tool bits etc. in accordance with these instructions, taking into account the working conditions and the work to be performed.** Use of the power tool for operations different from those intended could result in a hazardous situation.

Battery tool use and care

24. **Recharge only with the charger specified by the manufacturer.** A charger that is suitable for one type of battery pack may create a risk of fire when used with another battery pack.
25. **Use power tools only with specifically designated battery packs.** Use of any other battery packs may create a risk of injury and fire.
26. **When battery pack is not in use, keep it away from other metal objects, like paper clips, coins, keys, nails, screws or other small metal objects, that can make a connection from one terminal to another.** Shorting the battery terminals together may cause burns or a fire.
27. **Under abusive conditions, liquid may be ejected from the battery; avoid contact. If contact accidentally occurs, flush with water. If liquid contacts eyes, additionally seek medical help.** Liquid ejected from the battery may cause irritation or burns.

Service

28. **Have your power tool serviced by a qualified repair person using only identical replacement parts.** This will ensure that the safety of the power tool is maintained.
29. **Follow instruction for lubricating and changing accessories.**
30. **Keep handles dry, clean and free from oil and grease.**

Cordless vacuum pump safety warnings

Read carefully instructions in the literature, strict observance of procedures is main condition for operator safety.

1. The vacuum pump is a machine used to evacuate refrigeration and air conditioning equipment and recovery vessels. Do not use it for other applications. Doing so may result in accidents.
2. Always inspect the vacuum pump for oil leaks before use. Failure to do so may result in fire.
3. Check the oil level and condition (deterioration, etc.) to enable safe and efficient work.
4. Wear safety glasses and gloves when handling refrigerant; avoid contact with refrigerant, blindness and injuries may result to operator.
5. Adequate performance may not be obtained in extremely hot or cold environments.

SAVE THESE INSTRUCTIONS.

⚠WARNING: DO NOT let comfort or familiarity with product (gained from repeated use) replace strict adherence to safety rules for the subject product.

MISUSE or failure to follow the safety rules stated in this instruction manual may cause serious personal injury.

Important safety instructions for battery cartridge

1. Before using battery cartridge, read all instructions and cautionary markings on (1) battery charger, (2) battery, and (3) product using battery.
2. Do not disassemble battery cartridge.
3. If operating time has become excessively shorter, stop operating immediately. It may result in a risk of overheating, possible burns and even an explosion.
4. If electrolyte gets into your eyes, rinse them out with clear water and seek medical attention right away. It may result in loss of your eyesight.
5. Do not short the battery cartridge:
 - (1) Do not touch the terminals with any conductive material.
 - (2) Avoid storing battery cartridge in a container with other metal objects such as nails, coins, etc.
 - (3) Do not expose battery cartridge to water or rain.
A battery short can cause a large current flow, overheating, possible burns and even a breakdown.
6. Do not store the tool and battery cartridge in locations where the temperature may reach or exceed 50°C (122°F).
7. Do not incinerate the battery cartridge even if it is severely damaged or is completely worn out. The battery cartridge can explode in a fire.

8. Be careful not to drop or strike battery.
9. Do not use a damaged battery.
10. Follow your local regulations relating to disposal of battery.

SAVE THESE INSTRUCTIONS.

⚠CAUTION: Only use genuine Makita batteries. Use of non-genuine Makita batteries, or batteries that have been altered, may result in the battery bursting causing fires, personal injury and damage. It will also void the Makita warranty for the Makita tool and charger.

Tips for maintaining maximum battery life

1. Charge the battery cartridge before completely discharged. Always stop tool operation and charge the battery cartridge when you notice less tool power.
2. Never recharge a fully charged battery cartridge. Overcharging shortens the battery service life.
3. Charge the battery cartridge with room temperature at 10°C - 40°C (50°F - 104°F). Let a hot battery cartridge cool down before charging it.
4. Charge the battery cartridge if you do not use it for a long period (more than six months).

PARTS DESCRIPTION

► Fig.1:

- | | |
|--------------------------|-----------------|
| 1. Sight glass | 7. Power switch |
| 2. Oil fill/Exhaust cap | 8. LED lamp |
| 3. Intake shut-off valve | 9. Motor |
| 4. Handle | 10. Base |
| 5. Battery holder | 11. Oil tank |
| 6. Battery | 12. Drain plug |

FUNCTIONAL DESCRIPTION

⚠CAUTION: Always be sure that the pump is switched off and the battery cartridge is removed before adjusting or checking function on the pump.

Installing or removing battery cartridge

⚠CAUTION: Always switch off the pump before installing or removing of the battery cartridge.

⚠CAUTION: Hold the pump and the battery cartridge firmly when installing or removing battery cartridge. Failure to hold the pump and the battery cartridge firmly may cause them to slip off your hands and result in damage to the pump and battery cartridge and a personal injury.

► Fig.2:

1. Red indicator
2. Button
3. Battery cartridge

To remove the battery cartridge, slide it from the pump while sliding the button on the front of the cartridge.

To install the battery cartridge, align the tongue on the battery cartridge with the groove in the housing and slip it into place. Insert it all the way until it locks in place with a little click. If you can see the red indicator on the upper side of the button, it is not locked completely.

CAUTION: Always install the battery cartridge fully until the red indicator cannot be seen. If not, it may accidentally fall out of the pump, causing injury to you or someone around you.

CAUTION: Do not install the battery cartridge forcibly. If the cartridge does not slide in easily, it is not being inserted correctly.

Indicator lamps			Remaining capacity
Lighted	Off	Blinking	
			75% to 100%
			50% to 75%
			25% to 50%
			0% to 25%
			Charge the battery.
			The battery may have malfunctioned.

NOTE: Depending on the conditions of use and the ambient temperature, the indication may differ slightly from the actual capacity.

Battery protection system

► Fig.3:

1. Star marking

The pump is equipped with a battery protection system. This system automatically cuts off power to the motor to extend battery life.

The pump will automatically stop during operation if the pump and/or battery are placed under one of the following conditions:

Overloaded:

The pump is operated in a manner that causes it to draw an abnormally high current.

In this situation, turn the pump off and stop the application that caused the pump to become overloaded. Then turn the pump on to restart.

If the pump does not start, the battery is overheated.

In this situation, let the battery cool before turning the pump on again.

Low battery voltage:

The remaining battery capacity is too low and the pump will not operate. In this situation, remove and recharge the battery.

NOTE: The overheat protection works only with a battery cartridge with a star marking.

Indicating the remaining battery capacity

Only for battery cartridges with "B" at the end of the model number

► Fig.4:

1. Indicator lamps
2. Check button

Press the check button on the battery cartridge to indicate the remaining battery capacity. The indicator lamps light up for few seconds.

OPERATION

The pump does not contain oil when newly purchased. Refer to "Adding oil" and add oil.

WARNING: Operating the pump in the condition without oil added will damage the pump. In addition, the oil tank will become hot and may result in burns or other accidents.

Adding oil

► Fig.5:

1. Oil fill/Exhaust cap
2. Level line
3. Sight glass
4. Oil tank

1. Remove the oil fill/exhaust cap and add the supplied oil via the filler port.

NOTICE: Always use Makita genuine oil in order to maintain pump performance.

2. Add oil until the oil level is between the upper and lower level lines of the sight glass.

NOTICE: The oil level is important. Operating the pump in the condition with the oil level not between the upper and lower level lines may result in malfunction.

Checking performance

► Fig.6:

1. Intake
2. Low side valve
3. Vacuum pump
4. Manifold

1. Connect the low side valve of the manifold and the intake port of the pump with a charging hose.
2. Close the low side valve of the manifold.
3. Open the intake shut-off valve.

4. Open the inlet valve.
5. Turn the pump on. If the pressure of the manifold indicates a vacuum of -0.09 to -0.1 MPa within 30 seconds, the pump is operating properly.
6. Turn the pump off.

Operation

► Fig.7:

- | | |
|---------------------------|-------------------------------------|
| 1. Vacuum pump | 6. Low pressure gauge |
| 2. Intake shut-off valve | 7. High side valve |
| 3. Charging hose (yellow) | 8. Charging hose (blue) |
| 4. Manifold | 9. Service port (Low pressure side) |
| 5. Low side valve | 10. Outdoor unit |
1. Connect the pump, manifold and outdoor unit with hoses.

NOTE: When the size of the service port on the unit is 1/4", use the supplied different diameter adapter.

2. Check that the high side and low side valves of the manifold are closed.
3. Install the battery to the pump. (See "Installing or removing battery cartridge" for the installation method.)
4. Turn the pump on. The LED lamp (green) lights up.
5. Open the intake shut-off valve of the pump and the low side valve of the manifold.

⚠WARNING: The pump becomes hot during operation and immediately after stopping. Do not touch the pump while it is hot. Doing so may result in burns or other accidents.

NOTE: The motor may not operate when it is cold (5°C or less). In these cases, bring the pump indoors and allow it to warm up.

6. When the specified vacuum (refer to the manual provided by the air conditioner manufacturer) is reached, close the low side valve of the manifold.
7. Close the intake shut-off valve and turn the pump off.

Airtightness test

There are no leaks if the pressure of the manifold does not rise for 5 minutes or more after leaving the pump and manifold.

NOTE: When the battery remaining capacity becomes low, LED lamp goes out and at the same time a long alarm beep start sounding. About two minutes later the motor stops. And then alarm beep changes into a repeated short-time interval beeping which notifies the motor stop and 30 seconds later the beeping stops. However, do not wait until the motor stops (or alarm beep changes to a short-time beeping), and instead close the inlet valve of the pump and the low pressure side valve of manifold.

Check that the pump is turned off, remove the battery, and charge it or replace it with a spare battery.

- Refer to the following table for the battery operation times.

Operation times (guideline)

Battery	Operation times
BL1860B	75 min
BL1850 / BL1850B	50 min
BL1840 / BL1840B	40 min
BL1830 / BL1830B	30 min

- After finishing work, remove the battery and attach the supplied cover.

NOTICE: When transporting, operating and storing the pump, never place it on its side or upside down. This may cause oil leakage from the oil filler/vent cap.

Transport and storage

- Always drain your vacuum pump of all fluids before shipping to prevent the damage of the container.
- Always cover the intake port with cap to keep any dust from entering the pump.
- Be sure that the pump is kept in a horizontal position.
- The pump is stored in indoor ambient temperature 5°C – 40°C .

MAINTENANCE

⚠CAUTION: Always be sure that the pump is switched off and the battery cartridge is removed before attempting to perform inspection or maintenance.

NOTICE: Never use gasoline, benzine, thinner, alcohol or the like. Discoloration, deformation or cracks may result.

To maintain product SAFETY and RELIABILITY, repairs, any other maintenance or adjustment should be performed by Makita Authorized or Factory Service Centers, always using Makita replacement parts.

Stop the pump:

To make pump life longer and smooth start-up, these procedures to shut off pump should be followed.

1. Close the manifold valve between the pump and the system.
2. Remove the hose from the pump inlet.

Cover the inlet port opening to prevent any contamination or foreign particles from entering the port.

Checking the oil

► Fig.8:

1. Level line
2. Sight glass

- Always check the oil level and condition (deterioration, etc.) before using the pump.

NOTE: Add oil until the oil level is between the upper and lower level lines of the sight glass.

Replacing the oil

► Fig.9:

1. Intake shut-off valve 2. Drain plug
1. Open the intake shut-off valve.
2. Operate the pump for 1 or 2 minutes to warm up the oil.
3. Turn the pump off.
4. Remove the drain plug and drain the oil.
5. Refer to "Adding oil" and add new oil.
- Dispose of the old oil in accordance with local regulations.

NOTE: It is recommended to change the oil after 20 hours of usage to protect pump components from contaminants pulled into the pump.

When vacuuming on old refrigeration systems, change the oil after every usage.

Vacuum pump oil:

The condition and type of oil used in any high performance vacuum pump are extremely important in determining the ultimate attainable vacuum. It is recommended to use the High Performance Vacuum Pump Oil, which is specifically blended to maintain maximum viscosity at normal temperatures and to improve start up under cold weather.

Cleaning the pump

1. When the oil is extremely dirty, replace the oil and then operate the pump for 3 to 5 minutes.
2. Drain the oil and add new oil.
If the drained oil is still dirty, repeat this cleaning process two or three times.

Troubleshooting

Condition	Possible Cause	Solution
The pump will not start.	<ol style="list-style-type: none"> 1. The battery is not set properly. 2. The ambient temperature is too low. 3. Poor wiring connection. 4. The pump is locked. 5. Motor failure. 	<ol style="list-style-type: none"> 1. Set the battery properly. 2. Warm up the pump in doors. 3. Repair. 4. Repair. 5. Repair.
The pump will not enough vacuum.	<ol style="list-style-type: none"> 1. Leaking from the system. 2. Insufficient oil. 3. Dirty oil. 4. Pump parts are worn out. 5. Damaged fittings, gaskets and seal. 6. Motor failure. 	<ol style="list-style-type: none"> 1. Repair the system. 2. Refill or change oil. 3. Clean reservoir and change oil. 4. Repair. 5. Repair. 6. Repair.
Oil leakage.	<ol style="list-style-type: none"> 1. Damaged gaskets and shaft seals. 2. Damaged O-ring of oil drain plug. 3. Oil drain plug is loose. 	<ol style="list-style-type: none"> 1. Repair. 2. Replace O-ring. 3. Tighten Oil drain plug.
Abnormal noise.	<ol style="list-style-type: none"> 1. Motor failure. 2. Bearing failure. 3. Loose bolts. 4. Pump failure. 5. Air is sucked. 	<ol style="list-style-type: none"> 1. Repair. 2. Repair. 3. Tighten bolts. 4. Repair. 5. Tighten caps and connections. Replace gaskets and O-rings. Replace fittings or re-seal them.

Remark: If these procedures do not solve the problem, contact with your nearest Makita authorized distributor or send your pump to our service center.

OPTIONAL ACCESSORIES

⚠ CAUTION: These accessories or attachments are recommended for use with your Makita tool specified in this manual. The use of any other accessories or attachments might present a risk of injury to persons. Only use accessory or attachment for its stated purpose.

If you need any assistance for more details regarding these accessories, ask your local Makita Service Center.

- Makita genuine batteries and chargers
- Vacuum pump oil 150 ml
- Vacuum pump aluminum case
- Vacuum pump hose
- Vacuum pump valve with gauge

NOTE: Some items in the list may be included in the tool package as standard accessories. They may differ from country to country.

SPECIFIKATIONER

Modell:	DVP180
Batterikassett (kapacitet)	BL 1860B (6,0 Ah) BL 1850 / BL 1850B (5,0 Ah) BL 1840 / BL 1840B (4,0 Ah) BL 1830 / BL 1830B (3,0 Ah)
Märkspänning	18 V DC
Pump	Enstegs lamellvakuumpump
Fritt luftflöde	50 L/minut
Lägsta tryck	20 Pa
Oljevolym	100 – 115 mL
Insug	5/16-tums yttergång
Dimensioner	263 mm (L) × 93 mm (B) × 172 mm (H)
Nettovikt (med BL1850-batteri)	3,5 kg

- På grund av det kontinuerliga programmet för forskning och utveckling, kan här angivna tekniska data ändras utan föregående meddelande.
- Tekniska data och batterikassetter kan variera i olika länder.
- Vikt, med batterikassett, enligt EPTA-procedur 01/2003

Vakuumpump för evakuering av luft ur slutna system (luftkonditioneringsanläggningar, tankar m.m.).

Denna utrustning är särskilt utformad för HVAC&R-system.

Med ett steg ger dessa pumpar önskat slutvakuum.

Ett stort synglas och låg oljeförbrukning minskar risken för oljebrist och ökar tillförlitligheten.

Dessutom gör backventilen att ingen olja kan sugas in i systemet vid avbrott såsom elavbrott.

Symboler

Följande symboler används för utrustningen.

Se till att du förstår vad de betyder innan pumpen används.



- Läs bruksanvisningen.



- Varning: het yta!
Vidrör inget i närheten av denna symbol.
Ytan kan orsaka brännskador eller andra skador om den vidrörs.



- Endast för EU
Släng inte elektrisk utrustning eller batterier tillsammans med hushållsavfall!
Enligt EU-direktiven om avfall som utgörs av eller innehåller elektriska eller elektroniska produkter, om batterier, ackumulatörer, förbrukade ackumulatörer och batterier samt motsvarande regler i nationell lagstiftning måste förbrukad elektrisk utrustning, batterier och batterikassetter samlas in separat och lämnas in till en miljögodkänd återvinningsstation.

FÖRSÄKRAN OM ÖVERENSSTÄMMELSE (CE)

Endast för Europeiska länder

Försäkran om överensstämmelse (CE) finns i bilaga A till denna bruksanvisning.

Allmänna varningar om maskinsäkerhet

⚠ VARNING: Läs alla varningar och anvisningar som rör säkerhet. Om inte anvisningar och varningar följs kan det resultera i elektriska stötar, brand och/eller allvarliga skador.

Spara alla varningar och anvisningar för framtida bruk.

Med "maskin" i varningarna avses maskiner som drivs med nät- eller batterispanning.

Arbetsplatssäkerhet

1. **Håll arbetsplatsen ren och väl belyst.** Skynda eller mörka arbetsplatser leder lätt till olyckor.
2. **Använd inte maskinen om explosionsrisk föreligger, exempelvis om det är brandfarliga ångor, gaser eller damm i luften.** Maskiner kan generera gnistor som kan antända damm eller ångor.
3. **Använd inte maskinen i närheten av barn och andra.** Om du blir distraherad kan du lätt förlora kontrollen över maskinen.

Elsäkerhet

- Maskinens kontakt måste passa i uttagen. Förändra inte kontakten på något sätt. Använd inte adapter för jordade maskiner. Omodifierade kontakter och passande uttag minskar risken för elektriska stötar.
- Undvik att komma i kontakt med jordade föremål såsom rör, element, spisar och kylskåp. Risken för elektriska stötar ökar om du har kontakt med jordade föremål.
- Utsätt inte maskinen för regn eller väta. Om vatten kommer in i maskinen ökar risken för elektriska stötar.
- Skada inte sladden. Bär eller dra aldrig maskinen i sladden och dra inte ur kontakten genom att dra i sladden. Låt inte sladden komma i kontakt med värme, olja, vassa kanter eller rörliga delar. Skadade eller intrasslade sladdar ökar risken för elektriska stötar.
- När maskinen används utomhus måste en förlängningsladd användas som är lämplig för utomhusbruk. Utomhussladdar minskar risken för elektriska stötar.
- Om maskinen måste användas på fuktigt plats ska en jordfelsbrytare vara kopplat till eluttaget. Användning av jordfelsbrytare minskar risken för elektriska stötar.

Personskydd

- Var vaksam, se på vad du gör och använd sunt förnuft när maskinen används. Använd inte maskinen om du är trött eller om du är påverkad av droger, alkohol eller läkemedel. Ett ögonblicks ouppmärksamhet när maskinen används kan leda till allvarliga personskador.
- Använd skyddsutrustning. Skydda alltid dina ögon. Användning av skyddsutrustning såsom andningsskydd, skor med halkskydd, hjälm eller hörselskydd när det behövs kommer att minska risken för personskador.
- Se till att inte maskinen kan startas oavsiktligt. Se till att strömbrytaren är i läget AV innan spänningskällan (nät eller batteri) ansluts till maskinen eller innan den lyfts eller bärs. Olyckor kan lätt inträffa om maskinen bärs samtidigt som du har fingret på strömbrytaren.
- Ta bort eventuella verktyg från maskinen innan den sätts på. Om ett verktyg är anslutet till någon av maskinens roterande delar kan det leda till personskador.
- Sträck dig inte i onödan för att nå fram. Stå stadigt och ha alltid en god balans. Detta gör att du kan styra maskinen bättre om något oväntat inträffar.
- Använd lämpliga kläder. Bär inte löst sittande plagg eller smycken. Se till att inte ditt hår, dina kläder eller dina handskar kommer i kontakt med maskinens rörliga delar. Löst sittande kläder, smycken och långt hår kan fastna i de rörliga delarna.
- Om en dammuppsamlare används måste den anslutas och användas på rätt sätt. Användning av dammuppsamlare kan minska risken för dammrelaterade olyckor.

Användning och skötsel av maskinen

- Använd maskinen försiktigt utan att trycka på för hårt. Använd rätt maskin för uppgiften. Rätt maskin gör jobbet bättre, säkrare och snabbare än andra maskiner.
- Använd maskinen endast om den kan sättas på och stängas av med strömbrytaren. Maskiner som inte kan stängas av och sättas på med strömbrytaren är farliga och måste repareras.
- Dra ut kontakten ur uttaget och/eller ta ut batterierna innan justeringar av maskinen görs, tillbehör ansluts eller maskinen läggs undan för förvaring. Sådana skyddsåtgärder minskar risken för att maskinen startas oavsiktligt.
- Se till att inkopplade maskiner inte kan nås av barn och låt endast vana personer som läst anvisningarna använda maskinen. Maskiner är farliga när de används av ovana personer.
- Underhåll av maskinen. Kontrollera att de rörliga delarna sitter som de ska och att inga delar är trasiga eller att något annat kan påverka maskinens användning. Om maskinen är trasig måste den repareras före användning. Många olyckor orsakas av dåligt underhållna maskiner.
- Se till att skärande maskiner är vassa och rena. Det är mindre risk för att skärande maskiner fastnar i arbetsstycket om de är rätt underhållna och skären är vassa.
- Använd maskinen, tillbehör och verktyg o.dyl. enligt dessa anvisningar med hänsyn till de särskilda arbetsbetingelserna. Användning av maskinen på annat sätt än det som maskinen är avsedd för kan leda till farliga situationer.

Användning och skötsel av batteridrivna maskiner

- Ladda batterier endast med laddare som specificerats av tillverkaren. En laddare som är avsedd för en batterikassett kan orsaka brand om den används för en annan batterikassett.
- Använd endast avsedd batterikassett i maskinen. Användning av andra batterikassetter kan orsaka personskador och brand.
- När batterikassetten inte används ska den inte förvaras i närheten av metallföremål såsom gem, mynt, nycklar, spikar, skruvar eller andra små metallföremål som kan kortslua batteripolerna. Kortslutning av batteri kan orsaka brännskador eller brand.
- Vid oriktig hantering kan vätska läcka ut ur batteriet. Vidrör inte denna. Om du av misstag kommer åt vätskan så skölj av med vatten. Sök läkarvård om du får batterivätska i ögonen. Vätska från batteriet kan orsaka irritation eller frätskador.

Service

- Se till att service av maskinen utförs av en kvalificerad reparatör och att bara originaldelar används. Detta garanterar en god maskinsäkerhet.
- Följ anvisningarna för smörjning och byte av tillbehör.
- Håll handtagen torra, rena och fria från olja och fett.

Säkerhetspunkter för batteridrivna vakuumpump

För säkert handhavande, läs instruktionerna noga och följ alla procedurer noggrant.

1. Vakuumpumpen är en maskin som används för att suga ut luft ur utrustning för kylning och luftkonditionering samt uppsamlingskärl. Använd inte maskinen till annat. Det kan leda till olyckor.
2. Kontrollera alltid att ingen olja läckt ut från vakuumpumpen innan den används. I annat fall finns risk för brand.
3. För säker och effektiv drift kontrollerar du oljenivån och oljans skick (nedbruten/smutsig).
4. Använd skyddsglasögon och skyddshandskar när kylmedel hanteras. Kontakt med kylmedlet som kan orsaka personskador bl.a. blindhet.
5. Tillräckligt vakuum kan vara svårt att uppnå vid extremt höga eller låga omgivningstemperaturer.

SPARA DESSA ANVISNINGAR.

⚠ VARNING: GLÖM INTE att strikt följa säkerhetsanvisningarna även efter det att du blivit van att använda maskinen.

OVARSAM hantering eller användning som inte följer säkerhetsanvisningarna i denna bruksanvisning kan orsaka allvarliga personskador.

Viktig säkerhetsinformation om batterikassetter

1. Innan batterikassetten används måste du läsa alla instruktioner och varningsmärken på (1) batteriladdare, (2) batteri samt (3) produkten där batteriet ska användas.
2. Montera inte isär batterikassetten.
3. Om användningstiden blir betydligt kortare än vanligt måste användningen avbrytas direkt. Risk finns då för överhettning, brännskador och även explosion.
4. Om du får batterivätska (elektrolyt) i ögonen spolar du med rent vatten och söker omgående läkarvård. Det kan leda till förlorad syn.
5. Kortslut aldrig batterikassetten.
 - (1) Vidrör inte batterikontakterna med något elektrisk ledande material.
 - (2) Förvara inte batterikassetten tillsammans med metallföremål såsom spikar, mynt m.m.
 - (3) Utsätt inte batterikassetter för vatten eller regn.Kortslutning av batterier kan resultera i stora strömlöden, överhettning, brännskador och att batteriet går sönder.
6. Förvara inte maskin eller batterikasset på platser där temperaturen kan överskrida 50°C.
7. Bränn inte batterikassetten ens om den är allvarligt skadad eller helt utsliten. Batterikassetten kan explodera av eldens värme.

8. Tappa inte batteriet och utsätt det inte för kraftiga mekaniska stötar.
9. Använd inte ett skadat batteri.
10. Följ gällande föreskrifter när uttjänta batterier slängs.

SPARA DESSA ANVISNINGAR.

⚠ VAR FÖRSIKTIG! Använd endast Makitas originalbatterier. Användning av andra batterier eller modifierade originalbatterier kan göra att batteriet spricker vilket kan leda till brand, personskador och andra skador. Dessutom gäller då inte Makitas garanti för maskin och laddare.

Tips för att få maximal batteritid

1. Ladda batterikassetten innan den är helt urladdad. Stoppa användningen och ladda batterikassetten om du märker att maskinen inte får full kraft.
2. Ladda aldrig om en fulladdad batterikasset. Överladdning försämrar batterikassetens hållbarhet.
3. Ladda batterikassetten vid rumstemperatur 10 – 40°C. Låt varma batterikassetter svalna innan de laddas.
4. Ladda batterikassetten om du inte har använt den på över sex månader.

DELBESKRIVNING

► Fig. 1:

- | | |
|--|---------------------|
| 1. Synglas | 7. Strömbrytare |
| 2. Lock för oljepåfyllning/
ventilation | 8. LED-lampa |
| 3. Insugsventil | 9. Motor |
| 4. Handtag | 10. Bottenplatta |
| 5. Batterihållare | 11. Oljetank |
| 6. Batteri | 12. Dräneringsplugg |

FUNKTIONSBESKRIVNING

⚠ VAR FÖRSIKTIG! Se alltid till att pumpen är avstängd och att batterikassetten är borttagen innan kontroll eller justering av pumpen görs.

Sätta in och ta ut batterikassetten

⚠ VAR FÖRSIKTIG! Stäng alltid av pumpen innan batterikassetten tas ut.

⚠ VAR FÖRSIKTIG! Håll pump och batterikasset i ett stadigt grepp när kassetten sätts i eller tas ut. Om pump och batterikasset inte hålls stadigt kan du tappa greppet vilket riskerar att skada pump, batterikasset eller dig själv.

► Fig. 2:

1. Röd indikator
2. Knapp
3. Batterikasset

Ta bort batterikassetten genom att dra ut ur pumpen samtidigt som du skjuter knappen på kassetten framsida.

Sätt in batterikassetten genom att passa in dess tunga i maskinens skåra och skjut sedan in den. Skjut in kassetten helt så att den låser fast med ett klickljud. Om knappens röda indikator är synlig så är kassetten inte helt låst.

⚠ VAR FÖRSIKTIG! Skjut alltid in batterikassetten helt tills den röda indikatorn inte längre syns. Om detta inte görs kan kassetten falla ut ur pumpen och orsaka personskador.

⚠ VAR FÖRSIKTIG! Använd aldrig våld för att sätta in batterikassetten. Om kassetten inte glider in lätt så är den inte korrekt isatt.

System för batteriskydd

► Fig. 3:

1. Stjärnmärke

Pumpen är försedd med ett batteriskyddssystem. Systemet stänger automatiskt av strömmen till motorn för att förlänga batteritiden.

Pumpen stannar automatiskt om pump och/eller batteri utsätts för något av följande:

Överbelastning:

Pumpen används på ett sätt som drar onormalt mycket ström.

Stäng då av pumpen och stoppa orsaken till att den blev överbelastad. Starta sedan om pumpen.

Om pumpen inte startar är batteriet överhettat.

I så fall låt batteriet svalna innan pumpen sätts på igen.

Låg batterispänning:

Återstående batterikapacitet är för låg och pumpen kommer inte att fungera. Ta i så fall ut batteriet och ladda upp det.

OBS! Överhettningsskyddet fungerar bara med batterikassetter som har stjärnmärke.





Indikator för återstående batterikapacitet













Gäller endast batterikassetter med modellnummer som slutar på "B"

► Fig. 4:

1. Indikatorlampor
2. Kontrollknapp

Tryck på batterikassetten kontrollknapp för att visa återstående kapacitet. Indikatorlamporna tänds under några sekunder.

Indikatorlampor			Återstående kapacitet
Tänd	Släckt	Blinkar	
			75 till 100 %
			

Indikatorlampor			Återstående kapacitet
Tänd	Släckt	Blinkar	
			50 till 75 %
			25 till 50 %
			0 till 25 %
			Ladda batteriet.
			Batteriet kan vara trasigt.
			

OBS! Beroende på användningsbetingelser och omgivningstemperaturen kan visad kapacitet skilja sig något från den verkliga.

ANVÄNDNING

Pumpen innehåller ingen olja när den säljs.

Se "Fylla på olja" och fyll på olja.

⚠ WARNING: Om pumpen körs utan olja kommer den att skadas. Dessutom blir oljetanken het och kan orsaka brännskador och andra skador.

Fylla på olja

► Fig. 5:

1. Lock för oljepåfyllning/ventilation
2. Nivåmarkering
3. Synglas
4. Oljetank

1. Lossa locket för oljepåfyllning/ventilation och håll oljan i påfyllnadsöppningen.

OBSERVERA: Använd alltid Makitas originalolja för att bibehålla pumpens prestanda.

2. Fyll på olja till en nivå mellan synglasets övre och undre markering.

OBSERVERA: Oljenivån är viktig. Om pumpen körs när oljenivån ligger utanför nivåmarkeringarna kan den skadas.

Kontrollera prestanda

► Fig. 6:

1. Insug
2. Lågtrycksventil
3. Vakuumpump
4. Grenkoppling

1. Koppla en påfyllningsslang mellan pumpens insug och grenkopplingens lågtrycksventil.
2. Stäng grenkopplingens lågtrycksventil.
3. Öppna pumpens insugsventil.
4. Öppna insugsventilen.

- Sätt på pumpen. Om tryckmätaren på grenkopplingen visar ett vakuum mellan -0,09 och -0,1 Mpa inom 30 sekunder så fungerar pumpen som den ska.
- Stäng av pumpen.

Användning

► Fig. 7:

- | | |
|---------------------------|--------------------------------------|
| 1. Vakuumpump | 7. Högtrycksventil |
| 2. Insugsventil | 8. Påfyllningsslang (blå) |
| 3. Påfyllningsslang (gul) | 9. Servicekopplingar (lågtryckssida) |
| 4. Grenkoppling | 10. Utomhusaggregat |
| 5. Lågtrycksventil | |
| 6. Lågtrycksmätare | |
- Anslut slangar mellan pump, grenkoppling och utomhusenhet.

OBS! Om utomhusaggregatets servicekopplingar är 1/4-tum används medföljande adapter med motsvarande diameter.

- Kontrollera att grenkopplingens högtrycks- och lågtrycksventiler är stängda.
- Sätt in batteriet i pumpen. (Se "Sätta in och ta ut batterikassetten" för procedur.)
- Sätt på pumpen. Den gröna LED-lampan tänds.
- Öppna insugsventilen på pumpen och lågtrycksventilen på grenkopplingen.

⚠ VARNING: Pumpen blir varm under användning och är det omedelbart efter att den stoppats. Vidrör inte pumpen medan den är varm. Det kan leda till brännskador eller andra olyckor.

OBS! Motorn kanske inte fungerar när det är kallt (under 5°C). Ta i så fall in pumpen och låt den bli varmare.

- När önskat vakuum har erhållits (se manualen från tillverkaren av luftkonditioneraren) stänger du grenkopplingens lågtrycksventil.
- Stäng pumpens insugsventil och stäng av pumpen.

Läckagetest

Det finns inga läckor om trycket i grenkopplingen är stabilt (inte ökar) under 5 minuter eller mer efter att pumpen stängts av.

OBS! Om återstående batterikapacitet blir låg släcks LED-lampan samtidigt som ett larm ljud avges. Ungefär två minuter därefter stoppas motorn. Larmljudet ändras då till upprepade korta pip som varar i 30 sekunder efter att motorn stoppats. Men vänta inte tills motorn har stoppats (eller larmljudet ändras till korta pip) utan stäng pumpens insugsventil och grenkopplingens lågtrycksventil.

Kontrollera att pumpen är avstängd och ta sedan ut batteriet och ladda det eller byt ut det mot ett reservbatteri.

- I följande tabell framgår drifttider för olika batterier.

Drifttid (riktvärden)

Batteri	Drifttid
BL1860B	75 min
BL1850 / BL1850B	50 min
BL1840 / BL1840B	40 min
BL1830 / BL1830B	30 min

- Efter avslutat arbete tar du ut batteriet och sätter dit medföljande insugsskydd.

OBSERVERA: Pumpen får aldrig läggas på sidan eller upp-och-ner när den transporteras, används eller förvaras. Det kan orsaka oljeläckage från locket för oljepåfyllning/ventilation.

Transport och förvaring

- Töm alltid pumpen på alla vätskor innan den transporteras för att inte skada emballaget.
- Ha alltid insugsskyddet på för att inte damm ska komma in i pumpen.
- Ha alltid pumpen i horisontalläge.
- Pump ska förvaras i rumstemperatur 5 – 40°C.

UNDERHÅLL

⚠ VAR FÖRSIKTIG! Se alltid till att pumpen är avstängd och att batterikassetten är borttagen före kontroll eller underhåll.

OBSERVERA: Använd aldrig bensin, ren bensin, thinner, alkohol eller liknande. Missfärgning, deformation eller sprickor kan uppstå.

För att hålla produkten SÄKER och TILLFÖRLITLIG bör reparationer, annat underhåll och justeringar utföras av ett Makita-auktoriserat servicecenter eller Makitas fabriksservicecenter och alltid med originalreservdelar från Makita.

Stoppa pumpen:

För att pumpen ska hålla längre och starta utan problem måste den stängas av på följande sätt.

- Stäng grenkopplingsventilen mellan pump och system.
- Ta bort slangen från pumpens insug.

Sätt på insugsskyddet på pumpen för att inte främmande partiklar ska komma in i den.

Kontrollera oljenivån

► Fig. 8:

- Nivåmarkering
 - Synglas
- Kontrollera alltid oljenivån och oljans skick (nedbruten/smutsig) innan pumpen används.

OBS! Fyll på olja till en nivå mellan synglasets övre och undre markering.

Byta olja

► Fig. 9:

1. Insugsventil
 2. Dräneringsplugg
1. Öppna pumpens insugsventil.
 2. Kör pumpen under 1 till 2 minuter för att värma upp oljan.
 3. Stäng av pumpen.
 4. Öppna dräneringspluggen och töm ut oljan.
 5. Se "Fylla på olja" och fyll på ny olja.
- Gammal olja hanteras sedan enligt lokala föreskrifter för oljeavfall.

OBS! Vi rekommenderar oljebyte efter 20 drifttimmar för att skydda pumpens komponenter från föroreningar som sugits in i pumpen.

Vid vakuumsugning av gamla kylsystem bör oljan bytas efter varje användning.

Vakuumpumpolja:

Det är mycket viktigt att oljan som används i vakuumpumpen är av rätt typ och i gott skick för att maximalt vakuum ska kunna erhållas. Vi rekommenderar High Performance Vacuum Pump Oil som satts samman särskilt för att hålla maximal viskositet vid normala temperaturer och förbättra start i kall väderlek.

Rengöra pumpen

1. Om oljan är mycket smutsig byts den ut och sedan körs pumpen under 3 till 5 minuter.
2. Dränera oljan och fyll på ny olja.
Om den dränerade oljan fortfarande är smutsig upprepar du den här proceduren två eller tre gånger.

Felsökning

Problem	Möjliga orsaker	Lösning
Pumpen startar inte.	<ol style="list-style-type: none">1. Batteriet är inte korrekt isatt.2. Omgivningstemperaturen är för låg.3. Dålig elektriskt kontakt.4. Pumpen är låst.5. Motorfel.	<ol style="list-style-type: none">1. Sätt i batteriet på rätt sätt.2. Värm upp pumpen inomhus.3. Reparera.4. Reparera.5. Reparera.
Pumpen ger otillräckligt vakuum.	<ol style="list-style-type: none">1. Systemet läcker.2. Otillräckligt med olja.3. Smutsig olja.4. Utslitna pumpkomponenter.5. Skadade kopplingar, packningar och tätningar.6. Motorfel.	<ol style="list-style-type: none">1. Reparera systemet.2. Fyll på eller byt olja.3. Rengör oljeträget och byt olja.4. Reparera.5. Reparera.6. Reparera.
Oljeläckage.	<ol style="list-style-type: none">1. Skadade packningar och axeltätningar.2. Skadad O-ring i oljedräneringspluggen.3. Oljedräneringspluggen är inte inskruvad.	<ol style="list-style-type: none">1. Reparera.2. Byt O-ringen.3. Dra åt oljedräneringspluggen.
Onormalt ljud.	<ol style="list-style-type: none">1. Motorfel.2. Trasigt lager.3. Lösa bultar.4. Pumpfel.5. Luft sugs in.	<ol style="list-style-type: none">1. Reparera.2. Reparera.3. Dra åt bultarna.4. Reparera.5. Dra åt lock och anslutningar. Byt packningar och O-ringar. Byt ut kopplingar eller täta dem.

Kommentar: Om dessa procedurer inte löser problemet kontaktar du närmaste Makita-auktorerade distributör eller skickar pumpen till ett Makita servicecenter.

EXTRA TILLBEHÖR

⚠ VAR FÖRSIKTIG! Dessa tillbehör rekommenderas för användning med din Makita-maskin enligt denna bruksanvisning. Användning av andra tillbehör kan medföra risk för personsador. Använd endast tillbehör och tillsatser på det sätt som de är avsedda för.

Kontakta ditt lokala Makita servicecenter om du behöver hjälp med ytterligare detaljer om dessa tillbehör.

- Makita originalbatteri och laddare
- Vakuumpumpolja 150 mL
- Aluminiumväska för vakuumpump
- Vakuumpumpslang
- Vakuumpumpventil med tryckmätare

OBS! Vissa artiklar i listan kan vara inkluderade som standardtillbehör. Det kan variera från land till land.

SPESIFIKASJONER

Modell:	DVP180
Batteri (kapasitet)	BL 1860B (6,0 Ah) BL 1850 / BL 1850B (5,0 Ah) BL 1840 / BL 1840B (4,0 Ah) BL 1830 / BL 1830B (3,0 Ah)
Merkespenning	DC 18 V
Pumpe	Ett-trinns roterende Pumpe
Fortrengning av fri luft	
Ultimat vakuuum	20 Pa
Oljekapasitet	100 – 115 ml
Inntak	5/16" utkragning hann
Mål	263 mm (L) × 93 mm (B) × 172 mm (H)
Nettovekt (med batteri BL1850)	3,5 kg

- Som følge av vårt kontinuerlige forsknings- og utviklingsprogram kan de tekniske dataene endres uten ytterligere forvarsel.
- Tekniske data og batteri kan variere fra land til land.
- Vekt, med batteri, i henhold til EPTA-prosedyre 01/2003

Vakuumpumpe for luftevakuering av lukkede systemer (klimaanlegg, tanker osv.).

Utstyret er spesielt utformet for systemer fra HVAC&R.

For di disse pumpene utfører pumpsyklusen i ett trinn, er de i stand til å oppnå det ønskede vakuumnivået.

Takket være utformingen med stort seglass og lavt oljenivå unngår du å kjøre pumpen uten olje, noe som sikrer pålitelig drift.

I tillegg motvirker tilbakeslagsventilen innblanding av olje som følge av returstrøm etter strømbrudd eller andre forstyrrelser i prosessen.

Symboler

Nedenfor ser du symbolene som brukes for dette utstyret.

Forsikre deg om at du forstår hva de betyr, før du begynner å bruke utstyret.



- Les bruksanvisningen.



- Advarsel: varm overflate!
Ikke berør området rundt dette symbolet.
Berøring av dette området kan resultere i forbrenning eller andre personskader.



- Kun for EU-land
Kast aldri elektriske produkter eller batterier i husholdningsavfallet!
I henhold til EU-direktivene om kassering av elektriske og elektroniske produkter (WEEE-direktivet) og batterier og akkumulatører og brukte batterier og akkumulatører, og deres implementering i nasjonal rett, må elektriske produkter og batterier som ikke lenger skal brukes, samles separat og returneres til et godkjent gjenvinningsanlegg.

EF-SAMSVARERKLÆRING

Gjelder bare land i Europa

EF-samsvarserklæringen er inkludert i vedlegg A til denne bruksanvisningen.

Generelle advarsler angående sikkerhet for elektroverktøy

⚠ADVARSEL: Les alle sikkerhetsrelevante advarsler og alle instruksjoner. Hvis du ikke følger alle advarslene og instruksjonene, kan det føre til elektriske støt, brann og/eller alvorlige helseskader.

Oppbevar alle advarsler og instruksjoner for senere bruk.

Uttrykket "elektrisk verktøy" i advarslene refererer både til elektriske verktøy (med ledning) tilkoblet strømmettet, og batteridrevne verktøy (uten ledning).

Sikkerhet på arbeidsplassen

1. **Hold arbeidsplassen ren og godt opplyst.** Rotete eller mørke områder fører lett til uhell.
2. **Ikke bruk elektriske verktøy i eksplosive atmosfærer, f.eks. i nærheten av brennbare væsker, gasser eller støv.** Elektriske verktøy avgir gnister som kan antenne støv eller gasser.

3. **Hold barn og tilskuere unna når du bruker et elektrisk verktøy.** Ting som avleder oppmerksomheten kan få deg til å miste kontrollen over verktøyet.
15. **Bruk riktig arbeidstøy.** Ikke bruk løse klær eller smykker. Hold hår, klær og hansker unna **bevegelige deler.** Løse klær, smykker eller langt hår kan sette seg fast i bevegelige deler.

Elektrisk sikkerhet

4. **Støpslene til elektriske verktøy må passe til det aktuelle strømtuttaket. Støpset må aldri endres eller modifiseres på noen måte. Ikke bruk adapterstøpsler til jordede elektriske verktøy.** Ikke-modifiserte støpsler og passende kontakter reduserer risikoen for elektriske støt.
5. **Unngå kroppskontakt med jordede overflater, som rør, radiatorer, komfyrer og kjøleskap.** Hvis kroppen din er jordet, er risikoen større for at du skal få elektrisk støt.
6. **Ikke utsett elektriske verktøy for regn eller fuktighet.** Hvis det kommer vann inn i et elektrisk verktøy, vil det øke risikoen for elektriske støt.
7. **Ikke utsett strømkabelen for feilaktige belastninger.** Kabelen må aldri brukes til å bære, trekke eller koble fra det elektriske verktøyet. Hold strømkabelen unna varme, olje, skarpe kanter og bevegelige deler. Ødelagte eller sammenfiltrede kabler øker risikoen for elektriske støt.
8. **Når du bruker et elektrisk verktøy utendørs, må du bruke en skjøteledning som egner seg til utendørs bruk.** Med en skjøteledning som er beregnet på utendørs bruk kan du redusere risikoen for elektriske støt.
9. **Hvis du må bruke elektroverktøy i fuktige omgivelser, må du bruke en strømforsyning med jordfeilbryter (GFCI, ground fault circuit interrupter).** Bruk av en jordfeilbryter reduserer faren for elektriske støt.

Personlig sikkerhet

10. **Vær årvåken, følg med på det du gjør, og bruk sunn fornuft når du bruker et elektrisk verktøy. Du må aldri bruke et elektrisk verktøy når du er trett eller under påvirkning av narkotika, alkohol eller medikamenter.** Et øyeblikks uoppmerksomhet kan være nok til å forårsake alvorlige helseskader.
11. **Bruk personlig verneutstyr. Bruk alltid vernebriller.** Verneutstyr som for eksempel støvmaske, sklislire vernesko, hjelm og hørselsvern reduserer faren for personskader når det brukes riktig.
12. **Unngå utilsiktet start. Pass på at bryteren er i av-stilling før du kobler verktøyet til et strømtuttak eller batteri, og før du tar det opp eller begynner å bære det.** Hvis du bærer elektroverktøy med fingeren på bryteren eller kobler strøm til et verktøy med bryteren i på-stilling, kan dette lett føre til ulykker.
13. **Fjern eventuelle justeringsnøkler eller skrunøkler før du slår på det elektriske verktøyet.** En skrunøkkel eller sekskantnøkkel som glemmes på en roterende del av verktøyet kan forårsake helseskader.
14. **Ikke len deg over verktøyet. Pass på alltid å være i balanse og ha godt fotfeste.** På denne måten får du bedre kontroll over det elektriske verktøyet i uventede situasjoner.
16. **Hvis støvavsug og utstyr for støvoppsamling er tilgjengelig, må disse være tilkoblet og brukes riktig.** En støvoppsamler kan redusere støvrelaterte farer.

Bruk og stell av elektriske verktøy

17. **Ikke bruk makt på det elektriske verktøyet. Bruk riktig elektrisk verktøy for ditt formål.** Riktig elektrisk verktøy vil gjøre jobben bedre og sikrere i den hastigheten det er konstruert for.
18. **Ikke bruk det elektriske verktøyet hvis det ikke kan slås på og av med startbryteren.** Et hvilket som helst elektrisk verktøy som ikke kan kontrolleres med startbryteren, er farlig og må repareres.
19. **Trekk støpset ut av stikkkontakten og/eller ta batteriet ut av det elektriske verktøyet før du foretar eventuelle justeringer, skifter tilbehør eller setter elektriske verktøy til lagring.** Slike forebyggende sikkerhetstiltak reduserer risikoen for at det elektriske verktøyet skal starte ved et ulykkestilfelle.
20. **Lagre elektriske verktøy som ikke er i bruk, utilgjengelig for barn, og ikke la personer som ikke kjenner det elektriske verktøyet eller disse instruksjonene, bruke det.** Elektriske verktøy er farlige i hendene til uøvde brukere.
21. **Vedlikehold elektriske verktøy. Kontroller om deler av verktøyet er dårlig tilpasset hverandre, om bevegelige deler sitter fast, om noen deler er brukket, eller om andre omstendigheter vil kunne påvirke bruken av det elektriske verktøyet.** Hvis det elektriske verktøyet er skadet, må det repareres før bruk. Mange ulykker skyldes dårlig vedlikeholdt elektrisk verktøy.
22. **Hold skjærende verktøy skarpe og rene.** Korrekt vedlikeholdt skjæreverktøy med skarpe skjærekanten har mindre risiko for å sette seg fast og er enklere å kontrollere.
23. **Bruk elektroverktøyet, tilbehøret, bits og lignende i henhold til disse instruksjonene og ta hensyn til arbeidsforholdene og arbeidet som skal utføres.** Det kan oppstå farlige situasjoner hvis det elektriske verktøyet brukes til andre formål enn det er konstruert for.

Bruk og stell av batterier

24. **Batteriet må kun lades opp igjen med en lader angitt av produsenten.** En lader som passer til én batteritype, kan være brannfarlig når den brukes med en annen batteritype.
25. **Bruk elektroverktøy kun med spesifikt angitte batterier.** Hvis det brukes et hvilket som helst annet batteri, kan det utgjøre en fare for helseskader og brann.
26. **Når batteriet ikke er i bruk, må du holde det unna metallgjenstander som binders, mynter, nøkler, spiker, skruer og andre små metallgjenstander som kan skape forbindelse mellom de to polene.** Hvis batteripolene kortslyttes, kan du få brannskår, eller det kan begynne å brenne.

27. Hvis batteriet utsettes for hardhendt bruk, kan væske komme til å sprute fra batteriet. Unngå kontakt med væsken. Hvis du kommer i kontakt med batterivæske, må du skylle med vann. Hvis du får batterivæske i øynene, må du i tillegg oppsøke lege. Væske fra batteriet kan forårsake iritasjon eller forbrenninger.
3. Hvis driftstiden er blitt vesentlig kortere, må du omgående slutte å bruke produktet. Hvis ikke kan resultatet bli overoppheting, mulige forbrenninger eller til og med en eksplosjon.

Service

28. La en kvalifisert reparatør utføre service på det elektriske verktøyet ditt, og se til at vedkommende kun bruker originale reservedeler. Dette vil opprettholde sikkerheten av det elektriske verktøyet.
29. Følg instruksjonene for smøring og skifting av tilbehør.
30. Hold håndtakene tørre, rene og fri for olje og smørefett.
5. Ikke kortslett batteriet:
 - (1) Ikke berør batteripolene med ledende materialer.
 - (2) Ikke lagre batteriet i samme beholder som andre metallgjenstander, som for eksempel spiker, mynter osv.
 - (3) Ikke la batteriet komme i kontakt med vann eller regn.

En kortslutning av batteriet kan føre til et kraftig strømstøt, overoppheting, mulige forbrenninger og til og med til at batteriet går i stykker.

Sikkerhetsadvarsler for batteridrevet vakuumpumpe

Les instruksjonene i litteraturen grundig. Streng overholdelse av prosedyrene er hovedvilkåret for operatørens sikkerhet.

1. Vakuumpumpen er en maskin som brukes til å evakuere fryse- og klimaanleggutstyr og oppsamlingsbeholdere. Ikke bruk den til andre bruksområder. Det kan forårsake ulykker.
2. Før bruk må vakuumpumpen alltid inspiseres med tanke på oljelekkasjer. Hvis du ikke gjør det, kan det føre til brann.
3. Kontroller oljenivået og tilstanden på oljen (graden av nedbrytning osv.) for at arbeidet skal kunne foregå på en sikker og effektiv måte.
4. Bruk vernebriller og vernehansker når du håndterer kjølemiddel. Unngå kontakt med kjølemiddelet, ellers kan det være fare for blindhet og andre personskader.
5. Det er ikke sikkert at adekvat ytelse kan oppnås i ekstremt varme eller kalde omgivelser.

TA VARE PÅ DISSE INSTRUKSJONENE.

⚠ADVARSEL: IKKE LA hensynet til hva som er "behagelig" eller det faktum at du kjenner produktet godt (etter mange gangers bruk) gjøre deg mindre oppmerksom på sikkerhetsreglene for bruken av det aktuelle produktet.

MISBRUK av verktøyet eller mislighold av sikkerhetsreglene i denne brukanvisningen kan resultere i alvorlige personskader.

Viktige sikkerhetsinstruksjoner for batteriet

1. Før du begynner å bruke batteriet, må du lese alle anvisninger og forsiktighetsregler på (1) batteriladeren, (2) batteriet og (3) det produktet batteriet skal brukes i.
2. Ikke ta fra hverandre batteriet.

6. Ikke lagre verktøyet og batteriet på steder hvor temperaturen kan komme opp i eller overskride 50 °C.
7. Ikke sett fyr på batteriet, ikke engang om det er sterkt skadet eller helt utslitt. Batteriet kan eksplodere hvis det begynner å brenne.
8. Vær forsiktig så du ikke mister batteriet eller utsetter det for slag.
9. Må ikke brukes med ødelagt batteri.
10. Følg lokale bestemmelser om kassering av batterier.

TA VARE PÅ DISSE INSTRUKSJONENE.

⚠FORSIKTIG: Bruk bare ekte batterier fra Makita. Bruk av uekte Makita-batterier, eller batterier som er blitt endret, kan resultere i at batteriet sprekker og forårsaker brann, personskader og materielle skader. Det vil også føre til at garantien fra Makita på Makita-verktøyet og laderen blir ugyldig.

Tips for å opprettholde maksimal batterilevetid

1. Lad batteriet igjen før det er fullstendig utladet. Hold alltid opp å bruke produktet når du merker at det er lite strøm på batteripakken. Sett batteriet til lading.
2. Et helt oppladet batteri må aldri settes til ny lading. Overopplading forkorter batteriets levetid.
3. Lad opp batteriet ved romtemperatur, dvs. 10 °C – 40 °C. Hvis batteriet er varmt, må det få avkjøle seg før lading.
4. Lad batteriet når det ikke har vært brukt på lang tid (mer enn seks måneder).

BESKRIVELSE AV DELER

► Fig. 1:

1. Seglass
2. Oljepåfyllings-/utblåsningsdeksel
3. Inntakstengeventil
4. Håndtak
5. Batteriholder
6. Batteri
7. På/av-bryter
8. LED-lampe
9. Motor
10. Fot
11. Oljetank
12. Tappeplugg

FUNKSJONSBEKRIVELSE

⚠FORSIKTIG: Forviss deg alltid om at pumpen er slått av og batteriet tatt ut før du justerer pumpen eller kontrollerer dens funksjoner.

Sette inn eller ta ut batteriet

⚠FORSIKTIG: Pumpen må alltid slås av før du setter inn eller tar ut batteriet.

⚠FORSIKTIG: Hold pumpen og batteriet godt fast når du setter inn eller tar ut batteriet. Hvis du ikke holder godt fast i pumpen og batteriet, kan de gli ut av hendene dine og bli skadet eller forårsake personskader.

► Fig. 2:

1. Rød indikator
2. Knapp
3. Batteri

For å fjerne batteriet må du skyve det ut av pumpen mens du skyver på knappen på forsiden av batteriet.

Når du skal sette inn batteriet, må du plassere tungen på batteriet på linje med sporet i huset og skyve batteriet på plass. Batteriet må skyves helt inn til det går i inngrep med et lite klikk. Hvis du kan se den røde indikatoren på oversiden av knappen, er det ikke gått skikkelig i lås.

⚠FORSIKTIG: Du må alltid sette batteriet helt inn, til den røde indikatoren er skjult. Hvis dette ikke gjøres, kan batteriet komme til å falle ut av pumpen og skade deg eller andre som oppholder seg i nærheten.

⚠FORSIKTIG: Ikke sett inn batteriet med makt. Hvis batteriet ikke glir lett inn, er det fordi det ikke settes inn på riktig måte.

Batteribeskyttelsessystem

► Fig. 3:

1. Stjernemerking

Pumpen er utstyrt med et batteribeskyttelsessystem. Dette systemet bryter strømmen til motoren automatisk, for å forlenge batteriets levetid.

Pumpen vil automatisk stoppe under bruk hvis pumpen og/eller batteriet utsettes for en av nedenstående betingelser:

Overbelastning:

Pumpen brukes på en måte som får den til å trekke unormalt mye strøm.

I denne situasjonen må du slå av pumpen og stoppe applikasjonen som forårsaket overbelastning av pumpen. Slå deretter pumpen på igjen for å starte den på nytt.

Hvis pumpen ikke starter, er batteriet overopphetet. I denne situasjonen må du la batteriet avkjøles før du slår pumpen på igjen.

Lav batterispenning:

Gjenværende batterikapasitet er for lav, og pumpen vil ikke gå. I denne situasjonen må du ta ut batteriet og lade det.

MERK: Overopphetingsvernet fungerer bare med et batteri med stjernemerking.

Viser gjenværende batterikapasitet

Bare for batterier med "B" på slutten av modellnummeret

► Fig. 4:

1. Indikatorlamper
2. Kontrollknapp

Trykk på kontrollknappen på batteriet for å vise gjenværende batterikapasitet. Indikatorlampene tennes og lyser i noen få sekunder.

Indikatorlamper			Gjenværende kapasitet
Tent	Av	Blink	
			75 % til 100 %
			50 % til 75 %
			25 % til 50 %
			0 % til 25 %
			Lad opp batteriet.
			Det kan ha vært en funksjonsfeil ved batteriet.

MERK: Visningen kan avvike noe fra den faktiske kapasiteten, avhengig av driftsforholdene og omgivelsestemperaturen.

BRUK

Pumpen inneholder ikke olje når den er nyinnkjøpt.

Se "Fyll på olje" og fyll på olje.

⚠ADVARSEL: Hvis pumpen kjøres uten påfylt olje, vil den bli ødelagt. I tillegg vil oljetanken bli varm og kunne forårsake forbrenninger eller andre skader.

Fyll på olje

► Fig. 5:

1. Oljepåfyllings-/ utblåsningsdeksel
 2. Nivålinje
 3. Seglass
 4. Oljetank
1. Fjern oljepåfyllings-/utblåsningsdekslet og fyll på medfølgende olje via påfyllingsåpningen.

MERKNAD: Bruk alltid ekte Makita-olje for å opprettholde pumpens ytelse.

2. Fyll på olje til oljenivået er mellom øvre og nedre nivålinje på seglasset.

MERKNAD: Oljenivået er viktig. Hvis pumpen kjøres uten at oljenivået ligger mellom øvre og nedre nivålinje, kan det føre til funksjonsfeil.

Kontrollere ytelsen

► Fig. 6:

1. Inntak
 2. Ventil på lavtrykkssiden
 3. Vakuumpumpe
 4. Manifold
1. Koble sammen ventilen på lavtrykkssiden av manifolden og inntaksåpningen til pumpen med en påfyllingsslange.
2. Lukk ventilen på lavtrykkssiden av manifolden.
3. Åpne stengeventilen i inntaket.
4. Åpne innløpsventilen.
5. Slå på pumpen. Hvis trykket i manifolden viser et vakuum på -0,09 til -0,1 MPa i løpet av 30 sekunder, går pumpen som den skal.
6. Slå av pumpen.

Bruk

► Fig. 7:

1. Vakuumpumpe
 2. Inntaksstengeventil
 3. Påfyllingsslange (gul)
 4. Manifold
 5. Ventil på lavtrykkssiden
 6. Lavtrykksmålør
 7. Ventil på høytrykkssiden
 8. Påfyllingsslange (blå)
 9. Serviceåpning (lavtrykkssiden)
 10. Utendørsenhet
1. Koble sammen pumpen, manifolden og utendørsenheten med slanger.

MERK: Når størrelsen på serviceåpningen på enheten er 1/4", må du bruke den medfølgende adapteren for ulike diametere.

2. Kontroller at ventilene på høytrykkssiden og lavtrykkssiden av manifolden er lukket.
3. Sett inn batteriet i pumpen. (Du finner en nærmere beskrivelse av innsettingsmetoden i "Sette inn eller ta ut batteriet".)
4. Slå på pumpen. LED-lampen (grønn) tennes.
5. Åpne pumpens inntaksstengeventil og ventilen på lavtrykkssiden av manifolden.

⚠ADVARSEL: Pumpen blir varm under drift og umiddelbart etter at den er stoppet. Ikke berør pumpen mens den er varm. Det kan forårsake forbrenninger eller andre ulykker.

MERK: Motoren må ikke kjøres når det er kaldt (5 °C eller kaldere). I slike tilfeller må du flytte pumpen innendørs og la den varmes opp.

6. Når det angitte vakuuet (se bruksanvisningen fra produsenten av klimaanlegget) er nådd, må du lukke ventilen på lavtrykkssiden av manifolden.
7. Lukk inntaksstengeventilen og slå av pumpen.

Lufttetthetstest

Det er ingen lekkasjer hvis trykket i manifolden ikke øker i løpet av 5 minutter eller mer.

MERK: Når gjenværende batterikapasitet begynner å bli lav, slukkes LED-lampen, og samtidig høres det en lang alarmtone. Omtrent to minutter senere stopper motoren. Alarmtonen endres da til gjentatt piping i korte intervaller som signaliserer at motoren har stoppet, og 30 sekunder senere stopper piping. Du må imidlertid ikke vente til motoren stopper (eller alarmtonen endres til piping i korte intervaller), men bør i stedet lukke innløpsventilen til pumpen og lavtrykkssiden av manifolden.

Kontroller at pumpen er slått av, ta ut batteriet og lad det eller skift det ut mot et reservebatteri.

- Se batteridriftstider i nedenstående tabell.

Driftstider (retningslinje)

Batteri	Driftstid
BL1860B	75 min
BL1850 / BL1850B	50 min
BL1840 / BL1840B	40 min
BL1830 / BL1830B	30 min

- Etter at arbeidet er avsluttet må du ta ut batteriet og sette på det medfølgende dekslet.

MERKNAD: Når du transporterer, kjører eller oppbevarer pumpen, må du aldri legge den på siden eller opp ned. Dette kan forårsake oljelekkasje fra oljepåfyllings- eller ventilasjonshetten.

Transport og lagring

- Tapp alltid ut all væske av vakuumpumpen før den transporteres, for å unngå skade på beholderen.
- Sett alltid hetten på inntaket for å hindre at det kommer støv inn i pumpen.
- Forviss deg om at pumpen holdes i horisontal stilling.
- Pumpen oppbevares innendørs ved en temperatur på 5 °C – 40 °C.

VEDLIKEHOLD

⚠️FORSIKTIG: Forsikre deg om at pumpen er slått av og at batteriet er tatt ut før du foretar inspeksjon eller vedlikehold.

MERKNAD: Må ikke brukes med bensin, rensebensin, tynner, alkohol eller liknende. Dette kan resultere i misfarging, deformasjoner eller sprekkdannelse.

For å opprettholde produktets SIKKERHET og PÅLITELIGHET, må reparasjoner, vedlikehold og justeringer utføres av Makitas autoriserte servicesentre eller fabrikksservicesentre, og det må alltid brukes reservedeler fra Makita.

Stoppe pumpen:

For å gi pumpen lengre levetid og gjøre oppstarten så problemfri som mulig, må du følge disse prosedyrene for å slå av pumpen.

1. Lukk manifoldventilen mellom pumpen og systemet.
2. Fjern slangen fra pumpeinnløpet.

Dekk til innløpsåpningen for å forhindre at forurensning eller fremmedlegemer kommer inn i åpningen.

Kontrollere oljen

► Fig. 8:

1. Nivålinje
 2. Seglass
- Kontroller alltid oljenivået og -tilstanden (grad av nedbrytning osv.) før du begynner å bruke pumpen.

MERK: Fyll på olje til oljenivået er mellom øvre og nedre nivålinje på seglasset.

Skifte olje

► Fig. 9:

1. Inntaksstengeventil
 2. Tappeplugg
1. Åpne stengeventilen i inntaket.
 2. Kjør pumpen i 1 eller 2 minutter for å varme opp oljen.
 3. Slå av pumpen.
 4. Fjern tappepluggen og tapp ut oljen.
 5. Slå opp under "Fyll på olje" og fyll på ny olje.
- Kasser den gamle oljen i henhold til lokale bestemmelser.

MERK: Det anbefales å skifte oljen etter 20 timers bruk, for å beskytte pumpeedelene mot forurensende stoffer som er trukket inn i pumpen.

Når du bruker vakuum på gamle kjølesystemer, må du skifte oljen etter hver gangs bruk.

Vakuumpumpeolje:

Hvilken type olje som brukes i en høytytelsesvakuumpumpe, og hvilken tilstand oljen er i, er ekstremt viktig når man skal finne det ultimate vakuumet som kan oppnås. Det anbefales å bruke High Performance Vacuum Pump Oil, som er spesielt sammensatt for å opprettholde maksimal viskositet ved normale temperaturer og for å forbedre startegenskapene i kulde.

Rengjøre pumpen

1. Når oljen er ekstremt skitten, må du skifte oljen og deretter kjøre pumpen i 3 til 5 minutter.
2. Tapp ut oljen og fyll på ny olje.
Hvis den uttappede oljen fortsatt er skitten, må du gjenta denne rengjøringsprosessen to eller tre ganger.

Feilsøking

Tilstand	Mulig årsak	Løsning
Pumpen vil ikke starte.	<ol style="list-style-type: none">1. Batteriet er ikke satt skikkelig inn.2. Omgivelsestemperaturen er for lav.3. Dårlig kabelkontakt.4. Pumpen er låst.5. Motorsvikt.	<ol style="list-style-type: none">1. Sett inn batteriet ordentlig.2. Varm opp pumpen innendørs.3. Reparer.4. Reparer.5. Reparer.
Pumpen genererer ikke nok vakuum.	<ol style="list-style-type: none">1. Lekk fra systemet.2. Ikke nok olje.3. Skitten olje.4. Pumpegeler er slitt.5. Ødelagte armaturer, pakninger og forsegling.6. Motorsvikt.	<ol style="list-style-type: none">1. Reparer systemet.2. Fyll på eller skift olje.3. Rengjør tanken og skift oljen.4. Reparer.5. Reparer.6. Reparer.
Oljelekkasje.	<ol style="list-style-type: none">1. Ødelagte pakninger og aksel forseglinger.2. Ødelagt O-ring på oljetappepluggen.3. Oljetappepluggen er løs.	<ol style="list-style-type: none">1. Reparer.2. Skift ut O-ringen.3. Trekk til oljetappepluggen.
Unormal støy.	<ol style="list-style-type: none">1. Motorsvikt.2. Lagersvikt.3. Løse bolter.4. Pumps svikt.5. Luften suges ut.	<ol style="list-style-type: none">1. Reparer.2. Reparer.3. Trekk til boltene.4. Reparer.5. Trekk til hetter og tilkoblinger. Skift ut pakninger og O-ringer. Skift ut armaturene, og forsegle dem på nytt.

Kommentar: Hvis disse prosedyrene ikke løser problemet, må du kontakte din nærmeste autoriserte Makita-distributør, eller sende pumpen din til servicesenteret vårt.

TILLEGGSUTSTYR

⚠FORSIKTIG: Vi anbefaler deg å bruke dette tilbehøret og verktøyet sammen med den Makita-maskinen som er spesifisert i denne håndboken. Bruk av annet tilbehør eller verktøy kan forårsake helseskader. Tilbehør og verktøy må kun brukes til det formålet det er beregnet på.

Ta kontakt med ditt lokale Makita-servicesenter hvis du trenger mer informasjon om dette tilbehøret.

- Ekte batterier og ladere fra Makita
- Vakuumpumpeolje 150 ml
- Aluminiumhus for vakuumpumpe
- Vakuumpumpeslange
- Vakuumpumpeventil med måler

MERK: Enkelte punkter på denne listen kan være inkludert i verktøypakken som standard tilbehør. De kan variere fra land til land.

TEKNISET TIEDOT

Malli:	DVP180
Akku (kapasiteetti)	BL 1860B (6,0 Ah) BL 1850 / BL 1850B (5,0 Ah) BL 1840 / BL 1840B (4,0 Ah) BL 1830 / BL 1830B (3,0 Ah)
Nimellisjännite	Tasavirta 18 V
Pumppu	Yksivaiheinen kiertopumppu
Vapaa virtausnopeus	50 l/min
Lopullinen tyhjiö	20 Pa
Öljyn määrä	100–115 ml
Imu	5/16" kierre uros
Mitat	263 mm (P) × 93 mm (L) × 172 mm (K)
Nettopaino (BL1850-akun kanssa)	3,5 kg

- Tässä olevat tekniset tiedot voivat muuttua ilman ilmoitusta jatkuvan tutkimus- ja kehitysohjelmamme takia.
- Tekniset tiedot ja akku voivat vaihdella maittain.
- Paino akun kanssa EPTA-menettelyn 01/2003 mukaisesti

Tyhjiöpumppu ilmanpoistoon suljetuista järjestelmistä (ilmastointilaitteet, säiliöt jne.).

Laitte on suunniteltu erityisesti lämmitys-, ilmanvaihto- ja ilmastointijärjestelmiin (LVI).

Pumppujen yksivaiheisuus mahdollistaa vaaditun lopullisen tyhjiötason saavuttamisen.

Iso tarkastusikkuna öljynpinnan tason tarkkailuun auttaa välttämään käyttämisen ilman öljyä ja varmistaa käytön luotettavuuden.

Lisäksi sulkuventtiili estää virtakatkoksen tai muun toimintahäiriön jälkeisen takaisinvirtauksen ja sen aiheuttamat öljyn sekoittumiset.

Symbolit

Seuraavassa laitteessa käytettyjen symbolien kuvaukset. Varmista ennen käyttämistä, että ymmärrät symbolien merkitykset.



- Lue käyttöohje.



- Varoitus: kuuma pinta!
Älä koske tämän symbolin ympärillä olevaa aluetta.
Pinnan koskettaminen voi aiheuttaa palovammoja tai loukkaantumisia.



- Vain EU-maat
Älä hävitä sähkölaitteita tai akkuja kotitalousjätteen mukana!
Sähkö- ja elektroniikkalaiteromuja, paristoja ja akkuja sekä paristo- ja akkujätettä koskevan eurooppalaisen direktiivin ja sen kansallisen lainsäädännön mukaisen sovelluksen perusteella on elinkaaren loppuun päätyneet sähkölaitteet, paristot ja akut kerättävä erikseen ja toimitettava ympäristöstävälliseen kierrätykseen.

EU:N

VAATIMUSTENMUKAISUUSVAKUUTUS

Vain Euroopan maat

EU:n vaatimustenmukaisuusvakuutus on tämän käyttöoppaan liitteenä A.

Yleiset sähkötyökaluja koskevat turvallisuusvaroitukset

VAROITUS: Lue kaikki turvallisuuteen liittyvät varoitukset ja kaikki käyttöohjeet. Jos varoituksia ja ohjeita ei noudateta, seurauksena voi olla sähköisku, tulipalo ja/tai vakava henkilövahinko.

Säilytä kaikki varoitukset ja ohjeet tulevien tarpeiden varalta.

Varoituksissa käytetty termi "sähkötyökalu" tarkoittaa joko verkkovirtakäyttöistä (johdollista) sähkötyökalua tai akkukäyttöistä (johdotonta) sähkötyökalua.

Työskentelyalueen turvallisuus

1. Pidä työskentelyalue siistinä ja hyvin valaistuna. Sekaiset tai pimeät tilat aiheuttavat onnettomuuksia.
2. Älä käytä sähkötyökaluja räjähdysriskissä ympäristössä, kuten syttyvien nesteiden, kaasujen tai pölyn läheisyydessä. Sähkötyökalut muodostavat kipinöitä, jotka saattavat sytyttää pölyn tai höyryt.

3. **Pidä lapset ja sivulliset henkilöt etäällä, kun käytät sähkötyökalua.** Häiriötekijät voivat aiheuttaa laitteen hallinnan menettämisen.

Sähköturvallisuus

4. **Sähkötyökalujen pistokkeiden on vastattava pistorasiaa.** Älä koskaan muuntele pistoketta millään tavoin. Älä käytä adapteripistokkeita maadoitettujen sähkötyökalujen kanssa. Muuntelemattomat pistokkeet ja niitä vastaavat pistorasiat vähentävät sähköiskun vaaraa.
5. **Vältä koskettamasta maadoitettuja pintoja, kuten putkia, lämpöpattereita, liesiä tai jääkaappeja.** Sähköiskun vaara on suurempi, jos vartalosi on maadoitettu.
6. **Älä altista sähkötyökaluja sateelle tai märille olosuhteille.** Sähkötyökaluun pääsevä vesi lisää sähköiskun vaaraa.
7. **Älä käytä virtajohtoa väärin.** Älä koskaan kannna tai vedä laitetta johdosta tai irrota laitetta pistorasiasta johdosta vetämällä. Pidä johto loitolla kuumuudesta, öljyistä, terävistä reunoista ja liikkuvista osista. Vioittuneet tai sotkeutuneet johdot lisäävät sähköiskun vaaraa.
8. **Kun käytät sähkötyökalua ulkona, käytä ulkokäyttöön tarkoitettua jatkojohtoa.** Ulkokäyttöön soveltuvan johdon käyttö vähentää sähköiskun vaaraa.
9. **Jos sähkötyökalun käyttö kosteissa tiloissa on välttämätöntä, käytä vikavirtasuojakatkaisijalla suojattua virtalähdettä.** Vikavirtasuojakatkaisijan käyttö vähentää sähköiskun vaaraa.

Henkilökohtainen turvallisuus

10. **Ole tarkkana. Katso, mitä teet ja käytä tervettä järkeä, kun käytät sähkötyökalua.** Älä käytä sähkötyökalua, jos olet väsynyt tai huumeiden, alkoholin tai lääkkeiden vaikutuksen alaisena. Hetken tarkkaamattomuus sähkötyökalua käytettäessä saattaa johtaa vakavaan loukkaantumiseen.
11. **Käytä henkilönsuojaimia. Käytä aina suojalaseja.** Suojavarusteiden, kuten hengityssuojaimen, luistamattomien turvakenkien, suojakypärän tai kuulonsuojaimien, käyttö tarvittaessa vähentää loukkaantumisriskiä.
12. **Estä tahaton käynnistyminen. Varmista, että kytkin on pois päältä ennen työkalun liittämistä virtalähteeseen ja/tai akkuun, sen ottamista käteen tai kantamista.** Työkalun kantaminen sormi virtakytkimellä tai virta kytkettynä olevan työkalun liittämisen pistorasiaan muodostaa onnettomuusvaaran.
13. **Irrota säätö- ja ruuviavaimet ennen työkalun virran kytkemistä päälle.** Työkalun pyörivään osaan kiinni jäänyt säätövain tai -työkalu saattaa aiheuttaa loukkaantumisen.
14. **Älä kurottele. Huolehdi aina tukevasta seisomasennosta ja tasapainosta.** Se mahdollistaa työkalun paremman hallinnan odottamattomissa tilanteissa.
15. **Pukeudu asianmukaisesti. Älä käytä väljiä vaatteita tai koruja. Pidä hiukset, vaatteet ja käsineet loitolla liikkuvista osista.** Väljät vaatteet, korut tai pitkät hiukset voivat tarttua kiinni liikkuviin osiin.

16. **Jos tarjolla on laitteita pölynpoistoon ja keräykseen, varmista, että ne on liitetty ja niitä käytetään oikein.** Pölynpoistolaitteiden käyttö vähentää pölyn liittyviä vaaroja.

Sähkötyökalun käyttö ja huolto

17. **Älä käytä sähkötyökalua väkisin.** Käytä omaan käyttötarkoitukseesi sopivaa sähkötyökalua. Oikea sähkötyökalu suoriutuu parhaiten ja turvallisimmin tehtävästä sille tarkoitetulla nopeudella.
 18. **Älä käytä sähkötyökalua, jota ei enää voida käynnistää ja pysäyttää kytkimellä.** Sähkötyökalu, jota ei enää voida hallita käynnistyskytkimellä, on vaarallinen ja se täytyy korjata.
 19. **Irrota pistoke virtalähteestä ja/tai akku sähkötyökalusta ennen säätöjen tekemistä, lisävarusteiden vaihtamista tai työkalun asettamista säilytykseen.** Nämä varotoimet vähentävät sähkötyökalun tahattomaan käynnistymiseen liittyvien onnettomuuksien vaaraa.
 20. **Kun työkalua ei käytetä, säilytä sitä poissa lasten ja muiden sellaisten henkilöiden ulottuvilta, jotka eivät tunne sähkötyökalua tai näitä ohjeita.** Sähkötyökalu on vaarallinen henkilöiden käsissä, joita ei ole opastettu laitteen käytössä.
 21. **Huolla sähkötyökalut. Tarkista virheellinen kohdistus ja liikkuvien osien kiinnileikkaaminen, osien rikkoutuminen sekä kaikki muut tilat, jotka voivat vaikuttaa sähkötyökalun toimintaan.** Jos sähkötyökalu on vaurioitunut, toimita se korjattavaksi ennen käyttöä. Monen tapaturman syyt löytyvät huonosti huolletuista laitteista.
 22. **Pidä leikkuutyökalut terävinä ja puhtaina.** Oikein huolletut leikkuutyökalut, joissa on terävät leikkuureunat, leikkaavat vähemmän todennäköisesti kiinni ja niitä on helpompi hallita.
 23. **Käytä sähkötyökalua, sen lisävarusteita ja teriä jne. näiden ohjeiden mukaisesti ottaen huomioon työskentelyolosuhteet ja suoritettava työ.** Sähkötyökalun käyttö muihin kuin sille suunniteltuihin käyttötarkoituksiin voi aiheuttaa vaaratilanteen.
- #### Akkutyökalun käyttö ja hoito
24. **Lataa vain valmistajan määrittämällä laturilla.** Laturi, joka sopii yhdyntyyppiselle akulle voi aiheuttaa tulipalovaaran, jos sitä käytetään toisenlaisen akun kanssa.
 25. **Käytä sähkötyökaluissa vain erityisesti niihin tarkoitettuja akkuja.** Muunlaisten akkujen käyttö saattaa aiheuttaa henkilövahingon tai tulipalon vaaran.
 26. **Kun akku ei ole käytössä, pidä se erillään metalliesineistä, kuten paperiliittimet, kolikot, avaimet, naulat, ruuvit ja muut pienet metalliesineet, jotka voivat yhdistää akun navat toisiinsa.** Akun napojen yhdistyminen voi aiheuttaa palovammoja tai tulipalon.
 27. **Väärästä käytöstä johtuen akusta voi valua nestettä; vältä sen koskemista.** Jos kuitenkin vahingossa kosket siihen, huuhtele runsaalla vedellä. Jos nestettä pääsee silmiin, hakeudu lääkärin hoitoon. Akusta valuva neste voi aiheuttaa ärsytystä tai palovammoja.

Huolto

28. Huollata sähkötyökalu pätevällä huoltohenkilöstöllä, joka saa käyttää vain alkuperäisvaraosia. Näin taataan sähkötyökalun turvallisuuden säilyminen.
29. Noudata ohjeita voitelemisesta ja lisävarusteiden vaihtamisesta.
30. Pidät kahvat kuivina, puhtaina sekä öljyttöminä ja rasvattomina.

Akkukäyttöisen tyhjiöpumpun turvallisuusvaroitukset

Lue ohjekirjallisuus huolellisesti. Menettelyohjeiden tarkka noudattaminen on käyttöturvallisuuden pääedellytys.

1. Tyhjiöpumppu on kone, jota käytetään jäädytys- ja ilmastointilaitteiden sekä keräilystaitoiden tyhjentämiseen. Älä käytä sitä muihin tarkoituksiin. Se saattaa aiheuttaa onnettomuuksia.
2. Tarkista tyhjiöpumppu öljyvuotojen varalta ennen käyttämistä. Tämän noudattamatta jättäminen saattaa aiheuttaa tulipalon.
3. Tarkista öljyntaso ja laatu (huonontuminen jne.) turvallisen ja tehokkaan työskentelyn takaamiseksi.
4. Käytä suojalaseja ja käsineitä, kun käsittelet kylmäainetta. Vältä suoraa kosketusta kylmäaineen kanssa. Se saattaa aiheuttaa käyttäjän sokeutumisen ja vammautumisen.
5. Riittävää suoritustehoa ei ehkä saada, jos ympäristö on erittäin kuuma tai kylmä.

SÄILYTÄ NÄMÄ OHJEET.

VAROITUS: ÄLÄ anna mukavuuden tai tuotteen tuttuuden (toistuvan käytön takia) korvata kohdelaitteen turvallisuusohjeiden tarkkaa noudattamista.

VÄÄRINKÄYTTÖ tai käyttöohjeissa olevien turvallisuusohjeiden laiminlyönti voivat aiheuttaa vakavan henkilövahingon.

Akkua koskevat tärkeät turvallisuusohjeet

1. Ennen akun käyttämistä sinun on luettava kaikki ohjeet ja varoitusmerkinnyt (1) akkulaturista, (2) akusta ja (3) laitteesta, joka käyttää akkua.
2. Älä pura akkua.
3. Jos toiminta-aika on kohtuuttomasti lyhentynyt tavallisesta, lopeta käyttö välittömästi. Se saattaa aiheuttaa ylikuumentumisvaaran, mahdollisia palovammoja ja jopa räjähdysken.
4. Jos elektrolyyttiä pääsee silmiin, huuhtelee silmät puhtaalla vedellä ja mene välittömästi lääkäriin. Se saattaa aiheuttaa näön menetyksen.
5. Älä oikosulje akkua:
 - (1) Älä anna minkään sähköä johtavien materiaalien koskettaa liitäntöjä.
 - (2) Vältä akun säilyttämistä paikassa, jossa on muita metallikohteita, kuten nauvoja, kolikoita jne.

(3) Älä altista akkua vedelle tai sateelle.

Akun oikosulku voi aiheuttaa suuren virtamäärän virtauksen, ylikuumentumisen, mahdollisia palovammoja ja jopa hajoamisen.

6. Älä säilytä työkalua ja akkua paikoissa, joiden lämpötila on 50 °C tai sen yli.
7. Älä polta akkua vaikka se olisi pahasti vaurioitunut tai täysin loppuun käytetty. Akku voi räjähtää tulesa.
8. Ole huolellinen, äläkä tiputa akkua tai iske sitä mihinkään.
9. Älä käytä vaurioitunutta akkua.
10. Noudata akun hävittämässä paikallisia määräyksiä.

SÄILYTÄ NÄMÄ OHJEET.

HUOMIO: Käytä vain aitoja Makita-akkuja. Muiden kuin aitojen Makita-akkujen käyttäminen tai muutettujen akkujen käyttäminen voi aiheuttaa akun räjähtämisen, josta voi seurata tulipaloja, henkilövahinko tai vaurioita. Se mitätöi myös Makitan takuun Makita-työkälulle ja laturille.

Vihjeitä akun maksimaalisen käyttöiän säilyttämiseen

1. Lataa akku ennen kuin se tyhjenee täysin. Pysäytä työkalun käyttö ja lataa akku aina, kun huomaat suorituskyvyn heikentyneen.
2. Älä koskaan lataa täyteen ladattua akkua. Ylilataus lyhentää akun käyttöikä.
3. Lataa akku huonelämpötilassa 10–40 °C. Anna kuuman akun jäähtyä ennen kuin lataat sitä.
4. Lataa akku, jos et käytä sitä pitkiin aikoihin (yli kuuteen kuukauteen).

OSIEN KUVAUS

► Kuva 1:

1. Tarkastusikkuna
2. Öljyn täyttö-/tyhjennyskorkki
3. Imupuolen sulkuventtiili
4. Kahva
5. Akun pidike
6. Akku
7. Virtakytkin
8. LED-valo
9. Moottori
10. Jalusta
11. Öljysäiliö
12. Tyhjennystulppa

TOIMINTOJEN KUVAUS

HUOMIO: Varmista aina, että pumppu on pois päältä ja akku on poistettu ennen kuin säädät tai tarkastat pumppua.

Akun asentaminen ja irrottaminen

⚠️HUOMIO: Kytke pumppu aina pois päältä ennen akun asentamista tai poistamista.

⚠️HUOMIO: Pidä pumppua ja akkua tukevasti, kun asennat tai poistat akkua. Pumppun ja akun tukevasti pitämisen laiminlyönti voi aiheuttaa niiden luistamisen pois käsistä ja johtaa pumppun ja akun vaurioitumiseen sekä henkilövahinkoon.

► Kuva 2:

1. Punainen merkkivalo
2. Painike
3. Akku

Voit poistaa akun liu'uttamalla sen irti pumppusta samalla, kun liu'utat akun edessä olevaa painiketta.

Asenna akku kohdistamalla akun kieleke kotelon uraan ja liu'uttamalla akku paikoilleen. Työnnä akku pohjaan asti, kunnes se lukittuu napsahtaen paikoilleen. Jos näet punaisen merkkivalon painikkeen yläpuolella, akku ei ole kunnolla lukittunut.

⚠️HUOMIO: Asenna akku aina täydellisesti, kunnes punaista merkkivaloa ei enää näy. Jos laiminlyöt tämän, akku voi pudota pumppusta ja aiheuttaa vamman sinulle tai jollekin lähellä olevalle.

⚠️HUOMIO: Älä asenna akkua väkisin. Jos akku ei mene paikoilleen helposti, sitä ei ole asetettu oikein.

Akun suojausjärjestelmä

► Kuva 3:

1. Tähtimerkintä

Pumppu on varustettu akun suojausjärjestelmällä. Järjestelmä katkaisee virran moottoriin automaattisesti akun käyttöiän pidentämiseksi.

Pumppu pysähtyy automaattisesti käytön aikana, jos pumppuun ja/tai akkuun kohdistuu jokin seuraavista olosuhteista:

Ylikuormitus:

Pumppu toimii tavalla, joka aiheuttaa epänormaalin ison virtamäärän käyttämisen.

Kytke tässä tapauksessa pumppu pois päältä ja pysäytä käyttö, joka aiheuttaa pumppun ylikuormittumisen. Käynnistä pumppu sitten uudelleen.

Jos pumppu ei käynnisty, akku on ylikuumentunut.

Anna akun silloin jäähtyä ennen kuin käynnistät pumppun uudelleen.

Alhainen akun jännite:

Jäljellä oleva akun varaus on liian alhainen, eikä pumppu toimi. Tässä tapauksessa poista akku ja lataa se uudelleen.

HUOMAA: Ylikuumenemissuoja toimii vain tähdellä merkittyjen akkujen kanssa.

Jäljellä olevan akun varauksen ilmaiseminen

Vain akut, joiden mallinumero päättyy kirjaimeseen "B".

► Kuva 4:

1. Merkkivalot
2. Testauspainike

Näet jäljellä olevan akun varauksen painamalla akussa olevaa testauspainiketta. Merkkivalot syttyvät muutaman sekunniksi.

Merkkivalot			Jäljellä oleva varaus
Palaa	Ei valoa	Viikkuu	
			75–100 %
			50–75 %
			25–50 %
			0–25 %
			Lataa akku.
			Akussa voi olla toimintahäiriö.

HUOMAA: Käyttöolosuhteista ja ympäristön lämpötilasta johtuen lukemat voivat erota hieman todellisesta kapasiteetista.

KÄYTTÖ

Akussa ei ole öljyä toimitettaessa.

Katso kohta "Öljyn lisääminen" ja lisää öljyä.

⚠️VAROITUS: Pumppun käyttäminen ilman öljyä vioittaa pumppun. Lisäksi öljysäiliö kuumenee ja saattaa aiheuttaa palovammoja tai muita loukkaantumisia.

Öljyn lisääminen

► Kuva 5:

1. Öljyn täyttö-/tyhjennyskorkki
2. Tasoviiva
3. Tarkastusikkuna
4. Öljysäiliö

1. Poista öljyn täyttö-/tyhjennyskorkki ja lisää öljyä täyttöaukon kautta.

HUOMAUTUS: Käytä aina aitoa Makita-öljyä, jotta pumppun suoritusasteho säilyy.

2. Lisää öljyä kunnes öljyntaso on tarkastusikkunan ylä- ja alatasen viivojen välissä.

HUOMAUTUS: Öljyntaso on tärkeä. Pumpun käyttäminen silloin, kun öljyntaso ei ole ylemmän ja alemman tasoviivan välissä saattaa johtaa toimintahäiriöön.

Suorituskyvyn testaaminen

► Kuva 6:

1. Imu
 2. Matalapaineen puolen venttiili
 3. Tyhjiöpumppu
 4. Kokoomaputki
1. Yhdistä kokoomaputken alhaisen puolen venttiili pumpun imuaukkoon latausletkulla.
 2. Sulje kokoomaputken alhaisen puolen venttiili.
 3. Avaa imupuolen sulkuventtiili.
 4. Avaa tuloventtiili.
 5. Käynnistä pumppu. Jos kokoomaputken paine näyttää -0,09...-0,1 MPa:n alipainetta 30 sekunnissa, pumppu toimii kunnolla.
 6. Kytke pumppu pois päältä.

Käyttö

► Kuva 7:

1. Tyhjiöpumppu
 2. Imupuolen sulkuventtiili
 3. Latausletku (keltainen)
 4. Kokoomaputki
 5. Matalapaineen puolen venttiili
6. Matalapaineen mittari
 7. Korkeapaineen puolen venttiili
 8. Latausletku (sininen)
 9. Huoltoliitäntä (matalapaineen puoli)
 10. Ulkoyksikkö
1. Yhdistä pumppu, kokoomaputki ja ulkoyksikkö letkuilla.

HUOMAA: Kun tämän laitteen huoltoportin koko on 1/4", käytä toimitettua erilaisten läpimittojen sovitimia.

2. Tarkista, että kokoomaputken korkeapaine puolen ja matalapaine puolen venttiilit ovat kiinni.
3. Asenna akku pumppuun. (Katso asennustapa kohdasta "Akun asentaminen ja irrottaminen".)
4. Käynnistä pumppu. LED-valo (vihreä) syttyy.
5. Avaa pumpun imupuolen sulkuventtiili ja kokoomaputken matalapaine puolen venttiili.

VAROITUS: Pumppu kuumenee käytön aikana ja pysyy kuumana vielä pysähtymisen jälkeen. Älä koske pumppuun, kun se on kuuma. Se saattaa aiheuttaa palovammoja tai muita onnettomuuksia.

HUOMAA: Moottori ei ehkä toimi kylmässä (5 °C tai alhaisempi). Vie pumppu tällöin sisätiloihin ja anna lämmetä.

6. Kun määritetty alipaine (katso ilmastointilaitteen valmistajan ohjekirjasta) on saavutettu, sulje kokoomaputken matalapaine puolen venttiili.
7. Sulje imupuolen sulkuventtiili ja kytke pumppu pois päältä.

Tiiviyskoe

Vuotoja ei ole, jos kokoomaputken paine ei nouse 5 minuutiksi tai yli, kun jätät pumpun ja kokoomaputken.

HUOMAA: Kun akun jäljellä oleva kapasiteetti on alhainen, LED-lamppu sammuu ja samalla kuuluu pitkä hälytyspiippaus. Noin kaksi minuuttia myöhemmin moottori pysähtyy. Sen jälkeen hälytysääni muuttuu toistuvaksi lyhyeksi piippaukseksi, joka ilmoittaa moottorin pysähtyneen. 30 sekuntia myöhemmin merkkiäni ei enää kuulu. Älä kuitenkaan odota niin kauan, että moottori pysähtyy (tai piippausääni muuttuu lyhyeksi), vaan sen sijaan voit sulkea pumpun tuloventtiilin ja kokoomaputken matalapaineen puolen venttiilin.

Tarkista, että pumppu on kytketty pois päältä, poista akku ja lataa se tai hanki vara-akku.

- Katso seuraavasta taulukosta akkujen käyttöajat.

Käyttöajat (ohjeellinen)

Akku	Käyttöajat
BL1860B	75 min
BL1850 / BL1850B	50 min
BL1840 / BL1840B	40 min
BL1830 / BL1830B	30 min

- Kun olet valmis, poista akku ja kiinnitä mukana tullut suojuus.

HUOMAUTUS: Kun kuljetat, käytät tai säilytät pumppua, älä aseta sitä kyljelleen tai ylösalaisin. Se saattaa aiheuttaa öljyvuotoa öljyn täyttö-/huotuskorkista.

Kuljetus ja varastointi

- Tyhjennä tyhjiöpumppu kaikista nesteistä ennen kuljetusta kontin vaurioiden estämiseksi.
- Peitä imuaukko aina korkilla, jotta pöly ei pääse pumppuun.
- Varmista, että pumppua pidetään vaakasuorassa.
- Pumppu tulee säilyttää sisätiloissa lämpötilassa 5–40 °C.

HUOLTO

HUOMIO: Varmista aina, että pumppu on pois päältä ja akku on poistettu ennen kuin teet mitään tarkastuksia tai huoltotoimenpiteitä.

HUOMAUTUS: Älä käytä bensiiniä, bentseeniä, tinneriä, alkoholia tai vastaavaa. Ne saattavat aiheuttaa värjäytymistä, vääntymisiä tai murtumia.

Tuotteen TURVALLISUUDEN ja TOIMINTAVARMUUDEN säilymiseksi korjaukset, kaikki muu huolto ja säädöt tulee tehdä Makitan valtuuttamassa huoltoliikkeessä tai tehtaan huollossa ja niissä saa käyttää vain Makitan varaosia.

Pumpun pysäyttäminen:

Noudata seuraavia toimenpiteitä pumpun sammuttamisessa, jotta sen kestoikä pitenee ja käynnistys on helppoa.

1. Sulje kokoomaputken venttiili pumpun ja järjestelmän välillä.
2. Poista letku pumpun imuaukosta.

Peitä imuaukko, jotta vältät saasteiden ja vieraiden kappaleiden pääsemisen aukkoon.

Öljyn tarkastaminen

► Kuva 8:

1. Tasoviiva
 2. Tarkastusikkuna
- Tarkasta öljyntaso ja laatu (huonontuminen jne.) ennen pumpun käyttämistä.

HUOMAA: Lisää öljyä kunnes öljyntaso on tarkastusikkunan ylä- ja alatasen viivojen välissä.

Öljyn vaihtaminen

► Kuva 9:

1. Imupuolen sulkuventtiili
 2. Tyhjennystulppa
1. Avaa imupuolen sulkuventtiili.
 2. Käytä pumppua 1 tai 2 minuuttia, jotta öljy lämpiää.
 3. Kytke pumppu pois päältä.
 4. Irrota tyhjennystulppa ja tyhjennä öljy.
 5. Katso kohta "Öljyn lisääminen" ja lisää uutta öljyä.
- Hävitä vanha öljy paikallisten määräysten mukaisesti.

HUOMAA: Suosittelemme vaihtamaan öljyn 20 käyttötunnin välein, jotta suojaat pumpun osat pumppuun vedetyistä saasteista.

Jos tyhjiöpumppu on vanhoissa jäähditysjärjestelmissä, vaihda öljy joka käyttökerran jälkeen.

Tyhjiöpumppuöljy:

Tehokkaiden tyhjiöpumppujen öljyn laatu ja tyyppi ovat äärimmäisen tärkeitä lopullisen tyhjiön saavuttamisessa. Suosittelemme korkean suorituskyvyn tyhjiöpumppuille tarkoitettua öljyä, joka on suunniteltu säilyttämään maksimi viskositeetti normaalissa lämpötilassa ja parantamaan käynnistystä kylmällä ilmalla.

Pumppu puhdistaminen

1. Kun öljy on hyvin likaista, vaihda öljy ja käytä sitten pumppua 3–5 minuuttia.
 2. Tyhjennä öljy ja lisää uusi öljy.
- Jos tyhjennetty öljy on vielä likaista, toista puhdistusprosessi kaksi tai kolme kertaa.

Vianmääritys

Tila	Mahdollinen syy	Ratkaisu
Pumppu ei käynnisty.	<ol style="list-style-type: none">1. Akkua ei ole asetettu oikein.2. Ympäristölämpötila on liian alhainen.3. Johto on liitetty huonosti.4. Pumppu on lukittu.5. Moottorissa toimintahäiriö.	<ol style="list-style-type: none">1. Aseta akku oikein.2. Lämmitä pumppua sisätiloissa.3. Korjaa.4. Korjaa.5. Korjaa.
Pumppu ei tyhjiöi riittävästi.	<ol style="list-style-type: none">1. Järjestelmä vuotaa.2. Riittämätön öljymäärä.3. Likainen öljy.4. Pumpun osat ovat kuluneet.5. Vaurioituneet liittimet, tiivisteet ja eristeet.6. Moottorissa toimintahäiriö.	<ol style="list-style-type: none">1. Korjaa järjestelmä.2. Lisää öljyä tai vaihda öljy.3. Puhdista säiliö ja vaihda öljy.4. Korjaa.5. Korjaa.6. Korjaa.
Öljyvuoto.	<ol style="list-style-type: none">1. Vaurioituneet tiivisteet ja akselin tiivisteet.2. Öljyn tyhjennystulpan O-rengas vaurioitunut.3. Öljyn tyhjennystulppa on löysällä.	<ol style="list-style-type: none">1. Korjaa.2. Vaihda O-rengas.3. Kiristä öljyn tyhjennystulppa.
Epänormaaleja ääniä.	<ol style="list-style-type: none">1. Moottorissa toimintahäiriö.2. Laakerin toimintahäiriö.3. Löysät pultit.4. Pumpun toimintahäiriö.5. Ilmaa imetään.	<ol style="list-style-type: none">1. Korjaa.2. Korjaa.3. Kiristä pultit.4. Korjaa.5. Kiristä korkit ja liitännät. Vaihda tiivisteet ja O-renkaat. Vaihda kiinnittimet tai tiivistä uudelleen.

Huomautus: Jos nämä toimenpiteet eivät ratkaise ongelmaa, ota yhteyttä lähimpään valtuutettuun Makita-jälleenmyyjään tai lähetä pumppu huoltoliikkeeseen.

LISÄVARUSTEET

⚠HUOMIO: Näitä lisävarusteita tai lisäosia suositellaan tässä käyttöoppaassa kuvatulle Makitan työkalulle. Muiden lisävarusteiden tai lisäosien käyttäminen saattaa aiheuttaa henkilövahingon vaaran. Käytä lisävarustetta tai lisäosaa vain sille suunniteltuun käyttötarkoitukseen.

Ota yhteyttä paikalliseen Makita-huoltoliikkeeseen, jos tarvitset lisätietoa näistä varusteista.

- Aidot Makita-akut ja -laturit
- Tyhjiöpumppuöljy 150 ml
- Tyhjiöpumpun alumiinikotelo
- Tyhjiöpumpun letku
- Tyhjiöpumpun venttiili painemittarilla

HUOMAA: Jotkin luettelossa mainitut osat saattavat kuulua vakiovarusteisiin ja olla tuotepakkauksessa mukana. Ne saattavat vaihdella maittain.

TEHNISKIE DATI

Modelis:	DVP180
Akumulatoru bloks (jauda)	BL 1860B (6,0 Ah) BL 1850 / BL 1850B (5,0 Ah) BL 1840 / BL 1840B (4,0 Ah) BL 1830 / BL 1830B (3,0 Ah)
Nominālais spriegums	Līdzstrāva 18 V
Sūknis	Vienfāzes rotorsūknis
Gaisa caurplūde	50 l/min
Robežspiediens	20 Pa
Eļļas tvertnes tilpums	100 – 115 ml
Ieplūde	5/16 collu konisks savienojums ar ārējo vītņi
Izmēri	263 mm (G) × 93 mm (P) × 172 mm (A)
Neto svars (ar akumulatoru BL1850)	3,5 kg

- Mūsu nepārtrauktās pētniecības un izstrādes programmas rezultātā šeit norādītie tehniskie dati var tikt mainīti bez brīdinājuma.
- Tehniskie dati un akumulatori dažādās valstīs var atšķirties.
- Svārs kopā ar akumulatoru saskaņā ar EPTA procedūru (01.2003.).

Vakuumsūknis ir paredzēts gaisa izsūkņšanai no slēgtām sistēmām (gaisa kondicionētājiem, tvertnēm u.c.).

Šis instruments ir īpaši piemērots HVAC&R sistēmām.

Ar šī sūkņa vienfāzes sistēmu ir iespējams panākt galīgo vajadzīgo vakuuma līmeni.

Instrumenti ir aprīkoti ar lielu skatsstiklu un zema eļļas līmeņa indikatoru, lai izvairītos no darbināšanas bez eļļas un nodrošina uzticamu lietošanu.

Turklāt pretvārsts nepieļauj piemaisījumus eļļai atpakaļejošas plūsmas dēļ, ja tiek pārtraukta elektrobarošana vai cita veida procesa pārtrauce.

Apzīmējumi

Uz šo instrumentu attiecas turpmāk redzami apzīmējumi.

Pirms instrumenta lietošanas ir jāizprot to nozīme.



- Izlasiet lietošanas rokasgrāmatu.



- Brīdinājums! Karsta virsma!
Nepieskarieties virsmai šī simbola tuvumā.
Pieskaroties var gūt apdegumus vai ievainojumus.



- Tikai ES valstīs
Neizmetiet elektriskās iekārtas un akumulatoru sadzīves atkritumos!
Ievērojot Eiropas Direktīvu par elektrisko un elektronisko iekārtu atkritumiem un Direktīvu par baterijām un akumulatoriem, un bateriju un akumulatoru atkritumiem, kā arī īstenojot abas direktīvas saskaņā ar valsts tiesību aktiem, elektriskās iekārtas, baterijas un akumulatori, kam beidzies ekspluatācijas laiks, jāsavāc atsevišķi un jānodod videi nekaitīgā pārstrādes iekārtā.

EK ATBILSTĪBAS DEKLARĀCIJA

Tikai Eiropas valstīm

EK atbilstības deklarācija ir iekļauta šīs lietošanas rokasgrāmatas A. pielikumā.

Vispārīgi elektroinstrumenta drošības brīdinājumi

▲BRĪDINĀJUMS! Izlasiet visus drošības brīdinājumus un norādījumus. Ja netiek ievēroti brīdinājumi un norādījumi, var gūt elektriskās strāvas triecienu, izraisīt ugunsgrēku un/vai gūt smagus ievainojumus.

Saglabājiet visus brīdinājumus un norādījumus turpmākām uzziņām.

Termins „elektroinstruments”, kas redzams brīdinājumos, attiecas uz šo elektroinstrumentu (ar vadu), ko darbina ar elektrības palīdzību, vai ar akumulatoru darbināmu elektroinstrumentu (bez vada).

Darba zonas drošība

1. **Rūpējieties, lai darba zona būtu tīra un labi apgaismota.** Nesakārtotā un vāji apgaismotā darba zonā var rasties negadījumi.

2. **Elektroinstrumentus nedrīkst darbināt sprādzienbīstamā vidē, piemēram, viegli uzliesmojošu šķidrumu, gāzu vai putekļu tuvumā.** Elektroinstrumenti rada dzirksteles, kas var aizdedzināt putekļus vai izgarojumu tvaikus.
3. **Strādājot ar elektroinstrumentu, neļaujiet tuvumā atrasties bērniem un nepiederošām personām.** Novēršot uzmanību, jūs varat zaudēt kontroli pār instrumentu.

Elektrodrošība

4. **Elektroinstrumenta kontaktdakšai jāatbilst kontaktlīgzdai. Kontaktdakšu nekādā gadījumā nedrīkst pārveidot. Iezemētiem elektroinstrumentiem nedrīkst izmantot pārejas kontaktdakšas.** Nepārveidotas kontaktdakšas un piemērotas kontaktlīgzdas rada mazāku elektriskās strāvas trieciena risku.
5. **Nepieskarieties iezemētām virsmām, piemēram, caurulēm, radiatoriem, plītnim un ledusskapjiem.** Ja jūsu ķermenis ir iezemēts, pastāv lielāks elektriskās strāvas trieciena risks.
6. **Elektroinstrumentus nedrīkst pakļaut lietus vai mitru laika apstākļu iedarbībai.** Ja elektroinstrumentā iekļūst ūdens, palielinās elektriskās strāvas trieciena risks.
7. **Lietojiet vadu pareizi. Nekad nepārnēsājiet, nevelciet vai neatvienojiet elektroinstrumentu no kontaktlīgzdas, turot to aiz vada. Netuviniet vadu karstuma avotiem, eļļai, asām šķautnēm vai kustīgām detaļām.** Ja vads ir bojāts vai sapinies, pastāv lielāks elektriskās strāvas trieciena risks.
8. **Strādājot ar elektroinstrumentu ārpus telpām, izmantojiet tādu pagarinājuma vadu, kas paredzēts lietošanai ārpus telpām.** Izmantojot vadu, kas paredzēts lietošanai ārpus telpām, pastāv mazāks elektriskās strāvas trieciena risks.
9. **Ja elektroinstrumentu nākas ekspluatēt mitrā vidē, ierīkojiet elektrobarošanu ar īssavienojuma zemējuma ķēdes atvienotāju (GFCI).** Lietojot GFCI, mazinās elektriskās strāvas trieciena risks.

Personīgā drošība

10. **Elektroinstrumenta lietošanas laikā esiet uzmanīgi, skatieties, ko jūs darāt, rīkojieties saprātīgi. Nelietojiet elektroinstrumentu, ja esat noguris vai atrodaties narkotiku, alkohola vai medikamentu ietekmē.** Pat viens mirklis neuzmanības elektroinstrumentu ekspluatācijas laikā var izraisīt smagus ievainojumus.
11. **Lietojiet personīgo aizsargaprīkojumu. Vienmēr valkājiet acu aizsargus.** Attiecīgos apstākļos lietojot aizsargaprīkojumu, piemēram, putekļu masku, aizsargapavus ar neslīdošu zoli, aizsargķiveri vai ausu aizsargus, ir mazāks risks gūt ievainojumus.
12. **Nepieļaujiet nejašu iedarbināšanu. Pirms instrumenta pievienošanas kontaktlīgzdai un/ vai akumulatora pievienošanas, instrumenta pacelšanas vai pārnēsāšanas pārbaudiet, vai slēdzis ir izslēgtā pozīcijā.** Ja elektroinstrumentu pārnēsājat, turot pirkstu uz slēdža, vai ja kontaktlīgzdai pievienojat elektroinstrumentu ar ieslēgtu slēdzi, var rasties negadījumi.
13. **Pirms elektroinstrumenta ieslēgšanas noņemiet no tā visas regulēšanas atslēgas vai uzgriežņu atslēgas.** Ja elektroinstrumenta rotējošajai daļai ir piespīrināta uzgriežņu atslēga vai regulēšanas atslēga, var gūt ievainojumus.
14. **Nesniedzieties pārāk tālu. Vienmēr cieši stāviet uz piemērota atbalsta un saglabājiet līdzsvaru.** Tādējādi neparedzētās situācijās daudz labāk varat saglabāt kontroli pār elektroinstrumentu.
15. **Valkājiet piemērotu apģērbu. Nevalkājiet pārāk brīvu apģērbu vai rotaslietas. Kustīgajām detaļām netuviniet ne matus, ne apģērbu, ne cimdus.** Brīvs apģērbs, rotaslietas vai gari mati var iekļerties kustīgajās detaļās.
16. **Ja instrumentam ir paredzēts pievienot putekļu atsūkšanas un savākšanas ierīces, obligāti tās pievienojiet un ekspluatējiet pareizi.** Lietojot putekļu savākšanas ierīci, iespējams mazināt putekļu kaitīgo ietekmi.

Elektroinstrumenta ekspluatācija un apkope

17. **Nelietojiet elektroinstrumentu ar spēku. Izmantojiet konkrētam gadījumam piemērotu elektroinstrumentu.** Ar pareizi izvēlētu elektroinstrumentu tā efektivitātes robežās paveiksiet darbu daudz labāk un drošāk.
18. **Neekspluatējiet elektroinstrumentu, ja to ar slēdzi nevar ne ieslēgt, ne izslēgt.** Ja elektroinstrumentu nav iespējams kontrolēt ar slēdža palīdzību, tas ir bīstams un ir jāsalabo.
19. **Pirms elektroinstrumentu regulēšanas, piederumu nomaiņiņas vai novietošanas glabāšanā atvienojiet kontaktdakšu no barošanas avota un/vai no elektroinstrumenta izņemiet akumulatoru.** Šādu profilaktisku drošības pasākumu rezultātā mazinās nejaušas elektroinstrumenta iedarbināšanas risks.
20. **Glabājiet elektroinstrumentus, kas netiek darbināti, bērniem nepieejamā vietā un neatļaujiet to ekspluatēt personām, kas nav apmācītas to lietošanā vai nepārzina šos noteikumus.** Elektroinstrumenti ir bīstami, ja tos ekspluatē neapmācītas personas.
21. **Veiciet elektroinstrumenta apkopi. Pārbaudiet, vai kustīgās detaļas ir pareizi savienotas un nostiprinātas, vai detaļas nav bojātas, kā arī vai nav kāds cits apstāklis, kas varētu ietekmēt elektroinstrumenta darbību.** Ja elektroinstrumenti ir bojāti, pirms ekspluatācijas tas ir jāsalabo. Daudzu negadījumu cēlonis ir tādi elektroinstrumenti, kam nav veikta pienācīga apkope.
22. **Regulāri uzasiniet un tīriet griezējinstrumentus.** Ja griezējinstrumentiem ir veikta pienācīga apkope un tie ir uzasināti, pastāv mazāks to iestregšanas risks, un tos ir vieglāk vadīt.
23. **Elektroinstrumentu, tā piederumus, detaļas u.c. ekspluatējiet saskaņā ar šiem noteikumiem, ņemot vērā darba apstākļus un veicamā darba specifiku.** Lietojot elektroinstrumentu tam neparedzētiem mērķiem, var rasties bīstama situācija.

Akumulatora ekspluatācija un apkope

24. Uzlādējiet tikai ar ražotāja noteikto lādētāju. Ja ar lādētāju, kas paredzēts vienam akumulatora veidam, tiek lādēts cita veida akumulators, var izcelties ugunsgrēks.
25. Lietojiet elektroinstrumentus tikai ar paredzētajiem akumulatoriem. Ja izmantojat citus akumulatorus, var rasties ievainojuma un ugunsgrēka risks.
26. Kamēr akumulators netiek izmantots, glabājiet to drošā attālumā no metāla priekšmetiem, piemēram, papīra saspraudēm, monētām, atslēgām, naglām, skrūvēm vai līdzīgiem maziem metāla priekšmetiem, kuri var savienot abas spaiļes. Saskaņoties akumulatora spaiļēm, rodas īssavienojums, kas var izraisīt apdegumus vai ugunsgrēku.
27. Nepareizas lietošanas gadījumā šķidrums var iztecēt no akumulatora, — nepieskarieties tam. Ja jūs nejaūši pieskārties šķidrumam, noskalojiet saskarsmes vietu ar ūdeni. Ja šķidrums nokļūst acīs, meklējiet arī medicīnisku palīdzību. Šķidrums, kas iztecējis no akumulatora, var izraisīt kairinājumu vai apdegumus.

Apkalpošana

28. Uzticiet sava elektroinstrumenta apkalpošanu kvalificētam remontstrādniekam, lietojot tikai identiskas rezerves daļas. Tādējādi tiek saglabāta elektroinstrumenta drošība.
29. Ievērojiet elļošanas un piederumu nomaiņšanas noteikumus.
30. Rūpējieties, lai instrumenta rokturi vienmēr būtu sausi, tīri un uz tiem nebūtu smērvielu.

Drošības brīdinājumi bezvada vakuumsūkņim

Rūpīgi izlasiet norādījumus uzziņu literatūrā, jo stingra noteikumu ievērošana ir galvenais priekšnoteikums operatora drošībai.

1. Vakuumsūknis ir paredzēts dzesēšanas un gaisa kondicionēšanas sistēmu, kā arī gāzu saturošu tvertņu iztukšošanai. Nelietojiet to citiem mērķiem. Pretējā gadījumā var tikt izraisīti negadījumi.
2. Pirms lietošanas vienmēr pārbaudiet, vai vakuumsūknim nav eļļas noplūdes. Pretējā gadījumā var izcelties ugunsgrēks.
3. Pārbaudiet eļļas līmeni un stāvokli (nolietojumu u.c.), lai darbu varētu veikt droši un efektīvi.
4. Rīkojoties ar dzesējošo vielu, valkājiet aizsargbrilles un cimdus; nepieskarieties dzesējošajai vielai — tā var izraisīt akumu un ievainojumus.
5. Instruments var nedarboties pietiekami labi ārkārtīgi karstā vai aukstā vidē.

SAGLABĀJIET ŠOS NORĀDĪJUMUS.

▲BRĪDINĀJUMS! Kaut arī labi pārzināt instrumenta darbību un labi protat ar to apieties (parasti pēc instrumenta daudzkārtējas lietošanas), joprojām ir stingri JĀIEVĒRO drošības noteikumi.

Ja instruments tiek NEPAREIZI EKSPLUATĒTS vai netiek ievēroti šajā lietošanas rokasgrāmatā minētie drošības noteikumi, var gūt smagus ievainojumus.

Svarīgi drošības norādījumi akumulatoru blokam

1. Pirms akumulatoru bloka lietošanas izlasiet visus norādījumus un brīdinājuma apzīmējumus uz (1) lādētāja, (2) akumulatora un (3) izstrādājuma, kurā tiek izmantots akumulators.
2. Neizjauciet akumulatoru bloku.
3. Ja darbības laiks kļuvis ievērojami īsāks, nekavējoties pārtrauciet ekspluatāciju. Pretējā gadījumā var rasties pārkaršanas, aizdegšanās un pat sprādziena risks.
4. Ja elektroolīts iekļūst acīs, nekavējoties skalojiet tās ar tīru ūdeni un pēc tam meklējiet medicīnisku palīdzību. Pretējā gadījumā varat zaudēt redzi.
5. Neizraisiet akumulatoru blokā īssavienojumu:
 - (1) neskariet akumulatora spaiļes ar vadītspējīgu materiālu;
 - (2) neuzglabājiet akumulatoru bloku tvertnē kopā ar citiem metāla priekšmetiem, piemēram, naglām, monētām u.c.;
 - (3) nepakļaujiet akumulatoru bloku ūdens vai lietus iedarbībai.Akumulatora īssavienojums var izraisīt lielu strāvas plūsmu, pārkaršanu, iespējamu aizdegšanos un pat bojājumus akumulatorā.
6. Neuzglabājiet instrumentu un akumulatoru bloku vietās, kur temperatūra var sasniegt vai pārsniegt 50 °C.
7. Akumulatoru bloku nedrīkst sadedzināt pat tad, ja tas ir stipri bojāts vai pilnībā nolietots. Akumulatoru bloks uguni var sprāgt.
8. Raugieties, lai akumulators nenokristu un nesagremtu triecienu.
9. Akumulatoru nedrīkst lietot, ja tas ir bojāts.
10. Ievērojiet vietējos noteikumus par akumulatora nodošanu atkritumos.

SAGLABĀJIET ŠOS NORĀDĪJUMUS.

▲UZMANĪBU! Izmantojiet tikai oriģinālos Makita akumulatorus. Citi akumulatori, kas nav Makita oriģinālie, vai tādi akumulatori, kas ir pārveidoti, var eksplodēt, izraisot ugunsgrēku, ievainojumus un bojājumus. Ja lieto šādus akumulatorus, vairs nav spēkā Makita instrumentam un lādētājam piešķirtā Makita garantija.

Ieteikumi akumulatora maksimālā kalpošanas laika nodrošināšanai

1. Uzlādējiet akumulatoru bloku, kamēr tas nav pilnībā izlādējies. Ja pamanāt, ka instrumenta jauda ir mazinājusies, pārtrauciet tā ekspluatāciju un uzlādējiet akumulatoru bloku.
2. Nedrīkst no jauna uzlādēt pilnībā uzlādētu akumulatoru bloku. Pārmērīgi uzlādējot, saīsina akumulatora ekspluatācijas laiku.
3. Uzlādējiet akumulatoru bloku istabas temperatūrā 10 °C – 40 °C. Ja akumulatoru bloks ir sakarsis, pirms uzlādēšanas ļaujiet tam atdzist.
4. Uzlādējiet akumulatoru bloku, ja tas ilglaicīgi nav ticis lietots (vairāk nekā sešus mēnešus).

DETAĻU APRAKSTS

► 1. att.

- | | |
|---|--------------------------------|
| 1. Skatstikls | 8. Gaismas diodžu lampiņa |
| 2. Eļļas ielietnes/
vēdināšanas vāciņš | 9. Motors |
| 3. Iepildes slēgvārsts | 10. Pamatne |
| 4. Rokturis | 11. Eļļas tvertne |
| 5. Akumulatora līgzdā | 12. Notecināšanas
aizbāznis |
| 6. Akumulators | |
| 7. Barošanas slēdzis | |

FUNKCIJU RAKSTUROJUMS

⚠UZMANĪBU! Pirms sūkņa regulēšanas vai funkciju pārbaudes vienmēr pārbaudiet, vai tas ir izslēgts un vai akumulatoru bloks ir izņemts.

Akumulatoru bloka ievietošana un izņemšana

⚠UZMANĪBU! Pirms akumulatoru bloka ievietošanas vai izņemšanas sūknis ir jāizslēdz.

⚠UZMANĪBU! Ievietojot vai izņemot akumulatoru bloku, cieši turiet sūknī un akumulatoru bloku. Ja sūknis un akumulatoru bloks netiek cieši turēti, tie var izslīdēt no rokām un salūzt vai izraisīt ievainojumus.

► 2. att.

- | | |
|-----------------------|----------------------|
| 1. Sarkans indikators | 3. Akumulatoru bloks |
| 2. Poga | |

Lai izņemtu akumulatoru bloku, velciet to ārā no sūkņa, bīdot bloka priekšpusē esošo pogu.

Lai ievietotu akumulatoru bloku, savietojiet mēlīti, kas uz tā atrodas, ar rievu korpusā un iebīdīet akumulatoru bloku tam paredzētajā vietā. Tas ir jāievieto līdz galam, līdz atskan klikšķis. Ja ir redzama sarkanā atzīme pogas augšpusē, tas nozīmē, ka akumulatoru bloks nav ievietots līdz galam.

⚠UZMANĪBU! Vienmēr iebīdīet akumulatoru bloku līdz galam tā, lai sarkanā atzīme nebūtu redzama. Pretējā gadījumā tas var nejauši izkrist no sūkņa, ievainojot jūs vai kādu no blakusstāvošajiem.

⚠UZMANĪBU! Neievietojiet akumulatoru ar spēku. Ja akumulatoru bloku nevar viegli iebīdīt, tas nav pareizi ievietots.

Akumulatora aizsargsistēma

► 3. att.

1. Zvaigznes veida atzīme

Sūknis ir aprīkots ar akumulatora aizsargsistēmu. Šī sistēma motoram automātiski atvieno elektrobarošanu, lai paildzinātu akumulatora kalpošanas laiku.

Sūknis automātiski pārstāj darboties, ja sūknis un/vai akumulators tiek pakļauts kādam no šiem apstākļiem.

Pārslodze:

Sūknis darbojas tā, ka tajā rodas neparasti augsta strāva. Šajā gadījumā izslēdziet sūknī un pārtrauciet darbu, kas izraisa tā pārslodzi. Tad no jauna ieslēdziet sūknī, lai atsāktu darbu.

Ja sūknī nevar iedarbināt, akumulators ir pārkaris.

Šajā gadījumā nogaidiet, lai akumulators atdzīst, tad no jauna ieslēdziet sūknī.

Zems akumulatora spriegums:

Akumulatora atlikusī jauda ir pārāk zema, tāpēc sūknis nedarbojas. Šajā gadījumā izņemiet un uzlādējiet akumulatoru.

PIEZĪME. Aizsardzība pret pārkaršanu tiek nodrošināta tikai akumulatoru blokam ar zvaigznes veida atzīmi.

Atlikušās akumulatora jaudas indikators

Tikai akumulatoru blokiem, kuru modeļa numurs beidzas ar „B”

► 4. att.

1. Indikatora lampiņas
2. Pārbaudes poga

Nospiediet akumulatoru bloka pārbaudes pogu, lai uzzinātu atlikušo akumulatora jaudu. Indikatora lampiņas izgaismojas dažas sekundes.

Indikatora lampiņas			Atlikusī jauda
Izgaismotas	Izslēgtas	Mirgo	
■ ■ ■ ■	□ □ □ □	▧	75 – 100 %
■ ■ ■	■ □ □ □	□	50 – 75 %
■ ■	□ □ □ □	□	25 – 50 %

Indikatora lampiņas			Atlikusī jauda
Izgaismotas	Izslēgtas	Mirgo	
			0 – 25 %
			Uzlādējiet akumulatoru.
			Iespējams, ka akumulators nedarbojas pareizi.

PIEZĪME. Atkarībā no ekspluatācijas apstākļiem un apkārtējās temperatūras var būt neprecīzi attēlota akumulatora atlikusī jauda.

EKSPLUATĀCIJA

Ievērojiet, ka jauniegādāta sūkņa sistēmā nav eļļas. Uzpildiet eļļu, kā norādīts sadaļā „Eļļas uzpildīšana”.

▲BRĪDINĀJUMS! Darbinot sūkni bez eļļas, tas tiks sabojāts. Turklāt eļļas tvertne sakarsīs un izraisīs aizdegšanos vai citus negadījumus.

Eļļas uzpildīšana

► 5. att.

- Eļļas ielietnes/vēdināšanas vāciņš
 - Līmeņa atzīme
 - Skatstikls
 - Eļļas tvertne
1. Noņemiet eļļas ielietnes/vēdināšanas vāciņu un iepildes atverē ielejiet komplektā esošo eļļu.

IEVĒRĪBAI! Vienmēr izmantojiet Makita oriģinālo eļļu, lai saglabātu sūkņa darba efektivitāti.

2. Uzpildītās eļļas līmenim jābūt starp skatstikla augstākā un zemākā līmeņa atzīmēm.

IEVĒRĪBAI! Eļļas līmenis ir svarīgs faktors. Ja eļļas līmenis nav robežās starp augstākā un zemākā līmeņa atzīmēm, sūkni var tikt bojāts.

Darba efektivitātes pārbaude

► 6. att.

- Ieplūde
 - Zemspiediena puses vārsts
 - Vakuumsūkni
 - Kolektors
1. Savienojiet kolektora zemspiediena puses vārstu ar sūkņa ieplūdes atveri, izmantojot padeves šļūteni.
2. Aizveriet kolektora zemspiediena puses vārstu.
3. Atveriet iepildes slēgvārstu.
4. Atveriet ieplūdes vārstu.
5. Ieslēdziet sūkni. Ja kolektora spiediens 30 sekunžu laikā uzrāda no -0,09 līdz -0,1 MPa lielu spiedienu, sūkni darbojas pareizi.
6. Izslēdziet sūkni.

Ekspluatācija

► 7. att.

- Vakuumsūkni
- Iepildes slēgvārsts
- Padeves šļūtene (dzeltenā krāsā)
- Kolektors
- Zemspiediena puses vārsts
- Zemspiediena mēritājs
- Augstspiediena puses vārsts
- Padeves šļūtene (zilā krāsā)
- Apkopes pieslēgvietas (zemspiediena pusē)
- Ārējā daļa

1. Savienojiet sūkni, kolektoru un ārējo iekārtu, izmantojot šļūtenes.

PIEZĪME. Ja ārējās daļas apkopes pieslēgvietas diametrs ir 1/4 collas, izmantojiet komplektā iekļauto adapteru cita izmēra diametram.

- Pārbaudiet, vai ir aizvērti kolektora zemspiediena un augstspiediena puses vārsti.
- Ievietojiet sūkni akumulatoru. (Norādījumus par ievietošanu skatiet sadaļā „Akumulatoru bloka ievietošana un izņemšana”.)
- Ieslēdziet sūkni. Iedegas gaismas diožu lampiņa (zajā krāsā).
- Atveriet sūkņa iepildes slēgvārstu un kolektora zemspiediena puses vārstu.

▲BRĪDINĀJUMS! Darba laikā sūkni sakarsē. Tas ir sakarsis arī tūlīt pēc izslēgšanas. Nepieskarities sūknim, kamēr tas ir karsts. Pretējā gadījumā var gūt apdegumus vai izraisīt citus negadījumus.

PIEZĪME. Zemā temperatūrā (mazāk nekā 5 °C) motors var nedarboties pareizi. Šajā gadījumā novietojiet sūkni telpā un ļaujiet tam uzsilt.

- Kad ir sasniegts noteiktais vakuuma līmenis (skatiet gaisa kondicionētāja ražotāja izdoto rokasgrāmatu), aizveriet kolektora zemspiediena puses vārstu.
- Aizveriet iepildes slēgvārstu un izslēdziet sūkni.

Hermētiskuma pārbaude

Ja kolektora spiediens nepaaugstinās vismaz 5 minūšu laikā kopš sūkni un kolektors darbojas, tas liecina, ka nav noplūdes.

PIEZĪME. Ja akumulatora atlikušās uzlādes līmenis ir zems, izdziest gaismas diožu lampiņa un atskan garš brīdinājuma signāls. Aptuveni pēc divām minūtēm motors pārstāj darboties. Pēc tam brīdinājuma signāls pārtop īsos, atkārtotos signālos, kas liecina par to, ka motors ir apstājies, un pēc 30 sekundēm signāls tiek pārtraukts. Tomēr nenogaidiet, līdz motors pārstāj darboties (vai brīdinājuma signāls pārtop īsos signālos). Tā vietā aizveriet sūkņa ieplūdes vārstu un kolektora zemspiediena puses vārstu.

Pārbaudiet, vai sūkni ir izslēgts, izņemiet akumulatoru un nomainiet to pret rezerves akumulatoru.

- Akumulatora darbības laiku skatiet turpmāk redzamajā tabulā.

Darbības laiks (paredzētais)

Akumulators	Darbības laiks
BL1860B	75 min
BL1850 / BL1850B	50 min
BL1840 / BL1840B	40 min
BL1830 / BL1830B	30 min

- Pēc darba pabeigšanas noņemiet akumulatoru un piestipriniet komplektā iekļauto pārsegu.

IEVĒRĪBAI! Pārvadājot, ekspluatējot un uzglabājot sūkni, to nedrīkst novietot uz sāna vai apvērstu otrādi. Pretējā gadījumā no eļļas ielietnes/ vēdināšanas vāciņa noplūdis eļļa.

Pārvadāšana un glabāšana

- Pirms pārvadāšanas izteciet no vakuumsūkņa visus šķidrumus, lai nesabojātu tvertni.
- Nosedziet iepļūdes atveri ar vāciņu, lai sūknī neiekļūtu putekļi.
- Sūknim ir jāatrodas horizontālā stāvoklī.
- Sūkņa uzglabāšanas temperatūra telpās ir 5 – 40 °C .

APKOPE

⚠UZMANĪBU! Pirms pārbaudes vai apkopes veikšanas sūknis ir jāizslēdz un no tā jāizņem akumulatoru bloks.

IEVĒRĪBAI! Nedrīkst tīrīt ar benzīnu, šķīdinātāju, spirtu vai tamlīdzīgiem līdzekļiem. To dēļ piederums var zaudēt krāsu, deformēties vai saplaisāt.

Lai saglabātu izstrādājuma DROŠU un UZTICAMU darbību, remontdarbus, apkopi un regulēšanu uzticiet veikt tikai Makita pilnvarotam vai rūpnīcas apkopes centram, un vienmēr izmantojiet tikai Makita rezerves daļas.

Sūkņa apturēšana:

Lai paildzinātu sūkņa kalpošanas laiku un panāktu vienmērīgu iedarbināšanu, ieteicams ievērot šādu sūkņa apturēšanas procesu.

1. Aizveriet kolektora vārstu, kas savieno sūkni un sistēmu.
2. Atvienojiet šļūteni no sūkņa iepļūdes atveres.

Nosedziet iepļūdes atveri, lai tajā neiekļūtu piesārņojums vai svešķermeņi.

Eļļas pārbaude

► 8. att.

1. Līmeņa atzīme
 2. Skatstikls
- Pirms sūkņa lietošanas pārbaudiet eļļas līmeni un stāvokli (nolietojumu u.c.).

PIEZĪME. Uzpildītas eļļas līmenim jābūt starp skatstikla augstākā un zemākā līmeņa atzīmēm.

Eļļas maiņa

► 9. att.

1. Iepildes slēgvārsts
2. Notecināšanas aizbāznis

1. Atveriet iepildes slēgvārstu.
 2. Darbiniet sūkni 1–2 minūtes, lai uzsildītu eļļu.
 3. Izslēdziet sūkni.
 4. Izņemiet notecināšanas aizbāzni un noteciniet eļļu.
 5. Uzpildiet jaunu eļļu, kā norādīts sadaļā „Eļļas uzpildīšana”.
- Atbrīvojieties no nolietotās eļļas atbilstīgi vietējiem tiesību aktiem.

PIEZĪME. Eļļu ieteicams nomainīt ik pēc 20 darba stundām, lai sūkņa detaļās neiekļūtu piesārņotāji.

Izmantojot vakuumsūkni vecām dzesēšanas sistēmām, nomainiet eļļu pēc katras lietošanas reizes.

Vakuumsūkņa eļļa:

Lai noteiktu augstas darba efektivitātes vakuumsūkņa robežspiedienu, kādu iespējams panākt, ārkārtīgi svarīgs faktors ir izmantotās eļļas stāvoklis un veids. Ieteicams lietot augstas veiktspējas vakuumsūkņa eļļu, kuras sastāvā ir īpašs maisījums, kas saglabā maksimālu viskozitāti normālā temperatūrā un atvieglo iedarbināšanu aukstā temperatūrā.

Sūkņa tīrīšana

1. Ja eļļa ir ļoti piesārņota, nomainiet to pret jaunu, tad 3–5 minūtes darbiniet sūkni.
2. Noteciniet eļļu un uzpildiet jaunu eļļu.
Ja notecinātā eļļa ir joprojām netīra, atkārtojiet šo procesu divas vai trīs reizes.

Problēmu novēršana

Stāvoklis	Iespējamais cēlonis	Risinājums
Sūkni nevar iedarbināt.	<ol style="list-style-type: none">1. Akumulators nav pareizi ievietots.2. Apkārtējā temperatūra ir pārāk zema.3. Vadu savienojums nav pareizs.4. Sūknis ir bloķēts.5. Motora kļūme.	<ol style="list-style-type: none">1. Ievietojiet akumulatoru pareizi.2. Paturiet sūkni telpā, lai tas uzsiltu.3. Salabojiet.4. Salabojiet.5. Salabojiet.
Sūknis nenodrošina pietiekamu vakuuma līmeni.	<ol style="list-style-type: none">1. Sistēmā ir noplūde.2. Nepietiek eļļas.3. Eļļa ir netīra.4. Sūkņa detaļas ir nolietotas.5. Bojāti stiprinājumi, starplikas un blīves.6. Motora kļūme.	<ol style="list-style-type: none">1. Salabojiet sistēmu.2. Uzpildiet vai nomainiet eļļu.3. Izfīriet tvertni un nomainiet eļļu.4. Salabojiet.5. Salabojiet.6. Salabojiet.
Eļļas noplūde.	<ol style="list-style-type: none">1. Bojātas starplikas un ass blīves.2. Bojāta eļļas notecināšanas aizbāžņa gredzenblīve.3. Eļļas notecināšanas aizbāznis ir vaļīgs.	<ol style="list-style-type: none">1. Salabojiet.2. Nomainiet gredzenblīvi.3. Pievelciet eļļas notecināšanas aizbāzni.
Savāds troksnis.	<ol style="list-style-type: none">1. Motora kļūme.2. Gulīņa kļūme.3. Vaļīgas skrūves.4. Sūkņa kļūme.5. Iesūknēts gaiss.	<ol style="list-style-type: none">1. Salabojiet.2. Salabojiet.3. Pievelciet skrūves.4. Salabojiet.5. Pievelciet uzgaļus un savienojumus. Nomainiet starplikas un gredzenblīves. Nomainiet stiprinājumus vai noblīvējiet tos.

Piezīme. Ja minētie pasākumi nenovērš problēmu, sazinieties ar vietējo Makita pilnvaroto izplatītāju vai nosūtiet sūkni uz mūsu apkopes centru.

PAPILDPIEDERUMI

⚠ UZMANĪBU! Šos piederumus vai papildierces ieteicams izmantot kopā ar šajā rokasgrāmatā aprakstīto Makita instrumentu. Ja tiek izmantoti citi piederumi vai papildierces, var rasties ievainojuma risks. Lietojiet piederumus vai papildierces tikai paredzētajiem mērķiem.

Ja vēlaties uzzināt sīkāku informāciju par šiem piederumiem, jautājiet vietējā Makita apkopes centrā.

- Makita oriģinālie akumulatori un lādētāji
- Vakuumsūkņa eļļa, 150 ml
- Vakuumsūkņa alumīnija korpuss
- Vakuumsūkņa šļūtene
- Vakuumsūkņa vārsts ar mērītāju

PIEZĪME. Daži no šeit minētajiem piederumiem var būt iekļauti instrumenta standarta komplektācijā. Dažādās valstīs tie var atšķirties.

SPECIFIKACIJOS

Modelis:	DVP180
Akumuliatorių kasetė (talpa)	BL 1860B (6,0 Ah) BL 1850 / BL 1850B (5,0 Ah) BL 1840 / BL 1840B (4,0 Ah) BL 1830 / BL 1830B (3,0 Ah)
Nominalioji įtampa	18 V (NS)
Siurblys	Vienos pakopos rotacinis siurblys
Laisvasis oro išstūmimas	50 l/min.
Galutinis vakuumas	20 Pa
Alyvos talpa	100–115 ml
Įsiurbimo anga	5/16 col. platėjantis, kištukinis
Matmenys	263 mm (ilgis) × 93 mm (plotis) × 172 mm (aukštis)
Grynasis svoris (su akumuliatoriumi BL 1850)	3,5 kg

- Kadangi mes vykdome nuolatinę tyrimų ir plėtros programą, čia pateikiamos specifikacijos gali būti keičiamos be išankstinio perspėjimo.
- Specifikacijos ir akumuliatorių kasetė atskirose šalyse gali būti nevienodos.
- Svoris su akumuliatorių kasete pateikiamas pagal EPTA procedūrą Nr. 01/2003.

Vakuuminis siurblys, skirtas orui iš uždarų sistemų (oro kondicionierių, bakų ir pan.) išstumti.

Ši įranga specialiai suprojektuota šildymo, vėdinimo, oro kondicionavimo ir šaldymo sistemoms.

Kadangi šie siurbļiai yra vienos pakopos, galima pasiekti galutinį reikiamą vakuumo lygį.

Dėl didelio stebėjimo langelio ir žemo alyvos lygio konstrukcijos išvengiama veikimo be alyvos ir užtikrinama patikima eksploatacija.

Be to, atgalinis vožtuvas neleidžia maišytis alyvai dėl atgalinio srauto, pvz., nutrūkus maitinimui arba įvykus kitokio pobūdžio proceso pertraukimui.

Simboliai

Toliau pateikiami ant įrenginio naudojami simboliai.

Prieš pradėdami naudotis, būtina išsiaiškinti jų reikšmę.



- Perskaitykite naudojimo instrukciją.



- Įspėjimas: karštas paviršius!
Nepalieskite vietos aplink šį simbolį.
Palietus paviršių, rizikuojama nusideginti arba susižaloti.



- Tik ES šalims.
Neišmeskite elektros įrangos ar akumuliatorių paketo kartu su buitinėmis atliekomis!
Laikantis Europos direktyvų dėl Elektros ir elektroninės įrangos atliekų, Galvaninių elementų ir akumuliatorių bei Galvaninių elementų ir akumuliatorių atliekų, taip pat – jų įgyvendinimo nacionalinėje teisėje priemonių, baigtą eksploatuoti elektros įrangą, maitinimo elementus ir akumuliatorių paketą (-us) būtina atskirai surinkti ir priduoti į atitinkamą atliekų perdirbimo įmonę.

EB ATITIKTIES DEKLARACIJA

Tik Europos šalims

EB atitikties deklaracija įtraukta į šios naudojimo instrukcijos A priedą.

Bendrieji elektrinių įrankių saugos įspėjimai

▲ĮSPĖJIMAS! Perskaitykite visus saugos įspėjimus ir nurodymus. Jei nesilaikysite įspėjimų bei nurodymų, galite gauti elektros smūgį, sukelti gaisrą ir (arba) rimtai susižaloti.

Pasilikite visus įspėjimus ir nurodymus, kad galėtumėte pasinaudoti ateityje.

Įspėjimuose minimas terminas „elektrinis įrankis“ reiškia iš elektros tinklo maitinamus (laidinius) elektrinius įrankius arba akumuliatorinius (belaidžius) elektrinius įrankius.

Sauga darbo vietoje

1. Savo darbo vietoje užtikrinkite švarą ir gerą apšvietimą. Dirbant netvarkingoje arba tamsioje vietoje, didėja nelaimingų atsitikimų pavojus.

2. **Nenaudokite elektrinių įrankių sprogoje aplinkoje, pvz., jei aplinkoje yra liepsniųjų skysčių, dujų ar dulkių.** Elektriniai įrankiai generuoja kibirkštis, galinčias uždegti dulkes arba dūmus.
3. **Dirbdami su elektriniu įrankiu, pasirūpinkite, kad vaikai ir pašaliniai asmenys laikytųsi atokiai.** Dėl koncentracijos stokos galite netyčia prarasti kontrolę.

Elektros dalies sauga

4. **Elektrinio įrankio kištukai turi atitikti lizdą. Niekada ir niekaip nemodifikuokite kištuko. Su įžemintais elektriniais įrankiais nenaudokite jokių adapterių kištukų.** Nemodifikuoti kištukai ir atitinkantys lizdai sumažins elektros smūgio pavojų.
5. **Venkite kūno sąlyčio su įžemintais paviršiais, pvz., vamzdžiais, radiatoriais, viryklėmis ir šaldytuvais.** Jei jūsų kūnas bus įžemintas, padidės elektros smūgio pavojus.
6. **Saugokite elektrinius įrankius nuo lietaus ir drėgmės.** Jei į elektrinį įrankį pateks vandens, padidės elektros smūgio pavojus.
7. **Tinkamai elkitės su kabeliu. Niekada nenaudokite kabelio elektriniam įrankiui nešti, traukti ar nuo elektros tinklo atjungti.** Laikykite kabelį atokiai nuo šilumos, alyvos, aštrių kraštų ar judančių dalių. Pažeisti ar susipynę kabeliai didina elektros smūgio pavojų.
8. **Naudojant elektrinį įrankį lauke, reikia naudoti laukui tinkamą ilginimo kabelį.** Jei naudosite lauko sąlygoms tinkamą kabelį, sumažinsite elektros smūgio pavojų.
9. **Jei neišvengiamai būtina dirbti elektriniu įrankiu drėgnoje vietoje naudokite įžeminimo trikties jungtuvu (GFCI) apsaugotą maitinimo šaltinį.** Naudojant GFCI, mažėja elektros smūgio pavojus.

Asmeninė sauga

10. **Dirbdami elektriniu įrankiu būkite budrūs, prižiūrėkite, ką darote ir vadovaukitės sveiku protu. Nesinaudokite elektriniu įrankiu, kai esate pavargę, apsvaigę nuo narkotinių medžiagų, alkoholio ar vaistų.** Jei dirbdami elektriniu įrankiu akimirksniu nukreipsite dėmesį, galite rimtai susižaloti.
11. **Naudokite asmenines apsaugos priemones. Būtinai dėvėkite akių apsaugą.** Tinkamai naudojamos apsaugos priemonės, pvz., kaukė nuo dulkių, apsauginiai batai neslystančiu padu, šalmas arba ausų apsaugos sumažins susižalojimo pavojų.
12. **Apsisaugokite nuo atsitiktinio paleidimo. Prieš jungdami elektrinį įrankį prie maitinimo tinklo ar akumuliatorių paketo, prieš jį imdami ar nešdami, užtikrinkite, kad jungiklis būtų išjungtoje padėtyje.** Jei nešite elektrinį įrankį pirštą laikydami ant jungiklio arba prijungsite elektrinį įrankį prie maitinimo šaltinio su jungtu jungikliu, kils nelaimingų atsitikimų pavojus.
13. **Prieš jungdami elektrinį įrankį, nuimkite reguliavimą raktą ar veržliaraktį.** Jei paliksite veržliaraktį ar raktą prijungta prie elektrinio įrankio sukamosios dalies, galite susižaloti.
14. **Nesiekite per toli. Visuomet stovėkite patikimai ir išlaikykite pusiausvyrą.** Taip galėsite geriau kontroliuoti elektrinį įrankį netikėtose situacijose.

15. **Tinkamai apsirenkite. Nedėvėkite laisvų drabužių arba papuošalų. Laikykite plaukus, drabužius ir pirštines atokiai nuo judančių dalių.** Judančios dalys gali įtraukti laisvus drabužius, papuošalus arba ilgus plaukus.
16. **Jei sumontuoti įtaisai, skirti dulkių ištraukimui ar surinkimo įrangai prijungti, pasirūpinkite, kad ji būtų prijungta ir tinkamai naudojama.** Surenkant dulkes, galima išvengti su dulkelėmis susijusių pavojų.

Elektrinių įrankių naudojimas ir priežiūra

17. **Nenaudokite elektrinio įrankio per jėgą. Parinkite savo darbiui tinkamą elektrinį įrankį.** Tinkamas elektrinis įrankis geriau ir saugiau atliks užduotis, kurioms buvo suprojektuotas.
 18. **Nenaudokite elektrinio įrankio, jei jungiklis jo neįjungia ar neišjungia.** Būtina suremontuoti bet kokį elektrinį įrankį, kurio negalima kontroliuoti jungikliu, nes jis kelia pavojų.
 19. **Atjunkite kištuką nuo elektros tinklo arba atjunkite akumuliatorių paketą nuo elektrinio įrankio prieš reguliuodami įrankį, keisdami priedus ar padėdami sandėliuoti.** Tokios prevencinės saugos priemonės sumažins pavojų netyčia įjungti elektrinį įrankį.
 20. **Sandėliuokite elektrinius įrankius vaikams nepasiekiamoje vietoje ir neleiskite su elektriniu įrankiu arba šia instrukcija nesusipažinusiems žmonėms eksploatuoti elektrinio įrankio.** Neparengtų žmonių rankose elektriniai įrankiai kelia didelį pavojų.
 21. **Tinkamai prižiūrėkite elektrinius įrankius. Patikrinkite, ar tinkamai sulygiuotos ir nestringa judančios dalys, ar nėra lūžusių dalių bei kitų požymių, galinčių kelti pavojų elektrinio įrankio eksploatacijos metu.** Jei elektrinis įrenginys apgadintas, prieš tęsiant eksploataciją būtina jį suremontuoti. Dėl prastai prižiūrimų elektrinių įrankių kyla daug nelaimingų atsitikimų.
 22. **Pasirūpinkite, kad plovimo įrankiai būtų aštrūs ir švarūs.** Tinkamai prižiūrint plovimo įrankius ir galandant jų plovimo briaunas, jos mažiau strigs ir bus lengviau įrankį kontroliuoti.
 23. **Naudokite elektrinius įrankius, priedus, antgalius ir pan. pagal šią instrukciją, atsižvelgdami į darbo sąlygas ir atliekamus darbus.** Jei naudosite elektrinį įrankį ne pagal paskirtį, kils pavojus.
- #### **Akumuliatorinio įrankio naudojimas ir priežiūra**
24. **Įkraukite tik gamintojo nurodytu įkrovikliu.** Vienam akumuliatorių paketui tinkamas įkroviklis, naudojamas kitam akumuliatorių paketui įkrauti, gali kelti gaisro pavojų.
 25. **Į akumuliatorinius įrankius dėkite tik jiems skirtus akumuliatorių paketus.** Jei naudosite kitus akumuliatorių paketus, rizikuosite susižaloti ar sukelti gaisrą.
 26. **Kai nenaudojate akumuliatorių paketo, laikykite jį atokiai nuo metalinių objektų, pvz., sąvaržėlių, monetų, raktų, vinių, varžtų ar kitų mažų metalinių daiktų, kurie gali sujungti kontaktus.** Dėl akumuliatoriaus kontaktų trumpojo jungimo galima nusideginėti arba gali kilti gaisras.

27. Netinkamai eksploatuojant, iš akumulatoriaus gali ištekėti skysčio: venkite sąlyčio su juo. Atsitiktinio sąlyčio atveju nuplaukite paveiktą vietą vandeniu. Patekus skysčio į akis, papildomai kreipkitės į gydytoją. Iš akumulatoriaus ištekėjęs skystis gali sudirginti arba nudeginti.
- Priežiūra
28. Pasirūpinkite, kad jūsų elektrinio įrankio priežiūros darbus atliktų kvalifikuotas specialistas ir būtų naudojamos tik identiškos atsarginės dalys. Taip išlaikysite elektrinio įrankio saugą.
29. Laikykitės tepimo ir priedų keitimo instrukcijų.
30. Rankenos turi būti sausas ir švarios, ant jų neturi būti alyvos ir tepalo.
3. Jei veikimo trukmė žymiai sumažėjo, nedelsdami nutraukite eksploataciją. Kitaip kils perkaitimo pavojus, galite nudegti ir netgi gali kilti sprogimas.
4. Jei į akis patektų elektrolito, išskalaukite jas švariu vandeniu ir nedelsdami kreipkitės į gydytoją. Kitaip galite apakti.
5. Neatlikite akumuliatorių kasetės trumpojo jungimo:
 - (1) Nelieskite kontaktų jokiai laidžiu daiktu.
 - (2) Venkite laikyti akumuliatorių kasetę talpykloje su kitais metaliniais daiktais, pvz., vinimis, monetomis ir pan.
 - (3) Saugokite akumuliatorių kasetę nuo vandens ir lietaus.

Jei sujungsite akumuliatorių trumpuoju jungimu, gali gerokai padidėti srovės stipris, gaminys gali perkaisti, nudeginti ir netgi sugesti.

6. Nelaikykite įrankio ir akumuliatorių kasetės tose vietose, kuriose temperatūra gali pasiekti arba viršyti 50 °C.
7. Nedeginkite akumuliatorių kasetės net jei ji rimtai pažeista arba visiškai susidėvėjusi. Ugnyje akumuliatorių kasetė gali sprogti.
8. Būkite atsargūs: nenumeskite akumulatoriaus ir jo nedaužykite.
9. Nenaudokite pažeisto akumulatoriaus.
10. Utilizuokite akumuliatorių laikydami si vietinių reglamentų.

Belaidžio vakuuminio siurblio saugos įspėjimai

Atidžiai perskaitykite literatūroje pateiktus nurodymus. Griežtas procedūrų laikymasis – pagrindinė operatoriaus saugos užtikrinimo sąlyga.

1. Vakuuminis siurblys – tai įrenginys, naudojamas šaldymo, oro kondicionavimo ir rekuperavimo įrenginiams ištuštinti. Nenaudokite jo kitoms užduotims vykdyti. Kitaip gali kilti nelaimingas atsitikimas.
2. Prieš naudodami būtinai patikrinkite vakuuminį siurblių, ar nėra alyvos nuotėkių. Jei to nepadarysite, rizikuojate sukelti gaisrą.
3. Patikrinkite alyvos lygį ir būklę (ar nesugedusi ir pan.), kad galėtumėte dirbti saugiai ir efektyviai.
4. Dirbdami su šaldalu, dėvėkite apsauginius akinius ir mūvėkite pirštines. Venkite sąlyčio su šaldalu, nes jis gali apakinti ir sužaloti.
5. Itin karštoje ar šaltoje aplinkoje gali nepavykti pasiekti pakankamo našumo.

ĮŠSAUGOKITE ŠIAS INSTRUKCIJAS.

⚠️ ĮSPĖJIMAS! Nors ir esate dirbė ir susipažinę su įrenginiu (dirbote daug kartų anksčiau), tai **NEREIŠKIA**, kad galima nesilaikyti jo saugos taisyklių.

NETINKAMAI naudojantis įrenginiu arba nesilaikant saugos taisyklių, pateiktų šioje naudojimo instrukcijoje, galima rimtai susižaloti.

Svarbūs akumuliatorių kasetės naudojimo saugos nurodymai

1. Prieš pradėdami naudoti akumuliatorių kasetę, perskaitykite visus nurodymus ir atsargumo reikalaujančius ženklus, pateikiamas ant (1) akumuliatorių įkroviklio, (2) akumulatoriaus ir (3) gaminio, kuriame naudojamas akumulatorius.
2. Neardykite akumuliatorių kasetės.

ĮŠSAUGOKITE ŠIAS INSTRUKCIJAS.

⚠️ ATSARGIAI! Naudokite tik originalius „Makita“ akumulatorius. Naudojant neoriginalius arba modifikuotus akumulatorius, jie gali įtrūkti ir sukelti gaisrą, sužaloti arba apgadinti turtą. Be to, tokiu atveju anuliuojama „Makita“ įrankio ir įkroviklio garantija.

Patarimai, kaip maksimaliai pailginti akumulatoriaus eksploataciją

1. Akumuliatorių kasetę reikia įkrauti šiai iki galo neišsikrovus. Pastebėję, kad mažėja įrankio galia, būtinai sustabdykite įrankį ir įkraukite akumuliatorių.
2. Joki būdu neįkraukite visiškai įkrautos akumuliatorių kasetės. Įkrovus per daug, trumpėja akumulatoriaus eksploatacija.
3. Įkraukite akumuliatorių kasetę kambaryje, kurio temperatūra yra intervale nuo 10 °C iki 40 °C. Prieš įkraudami karštą akumuliatorių kasetę, leiskite jai atvėsti.
4. Jei akumuliatorių kasetės ilgą laiką nenaudojote (ilgiau nei šešis mėnesius), įkraukite ją.

DALIŲ APRAŠYMAS

► 1 pav.:

1. Stebėjimo langelis
2. Alyvos įpylimo / išmetimo angos dangtelis
3. Įsiurbimo nutraukimo vožtuvas
4. Rankena
5. Akumulatoriaus laikiklis
6. Akumulatorius
7. Maitinimo jungiklis
8. Šviesos diodų lempučių dangtelis
9. Variklis
10. Pagrindas
11. Alyvos bakas
12. Išleidimo kamštis

FUNKCIJŲ APRAŠYMAS

⚠ATSARGIAI! Prieš pradėdami reguliuoti ar tikrinti siurblio veikimą, būtinai pasirūpinkite, kad jis būtų išjungtas, o akumulatorių kasetė – išimta.

Akumulatorių kasetės įdėjimas ir išėmimas

⚠ATSARGIAI! Prieš įdėdami ar išimdami akumulatorių kasetę, būtinai išjunkite siurbį.

⚠ATSARGIAI! Įstatydami arba išimdami akumulatorių kasetę, tvirtai laikykite ją ir siurbį. Jei nelaikysite siurblio ir akumulatorių kasetės tvirtai, jie gali išslysti jums iš rankų ir būti pažeisti patys arba ką nors sužaloti.

► 2 pav.:

1. Raudonas indikatorius
2. Mygtukas
3. Akumulatorių kasetė

Prireikus išimti akumulatorių kasetę, išstumkite ją iš siurblio, slinkdami mygtuką kasetės priekyje.

Kad įdėtumėte akumulatorių kasetę, sulygiuokite jos liežuvėlį su korpuso grioveliu ir įstumkite į vietą. Įkiškite iki galo, kol ji spragtelėdama užsifiksuos. Jei mygtuko viršutinėje pusėje matosi raudonas indikatorius, vadinasi, ji tinkamai neužsifiksavo.

⚠ATSARGIAI! Būtinai įdėkite akumulatorių kasetę iki galo, kad nesimatyti raudono indikatoriaus. Kitaip ji gali netyčia iškristi iš siurblio ir sužaloti jus arba kitą asmenį.

⚠ATSARGIAI! Nekiškite akumulatorių kasetės per jėgą. Jei nepavyksta kasetės įstumti lengvai, vadinasi, ji dedama netinkamai.

Akumulatoriaus apsaugos sistema

► 3 pav.:

1. Žvaigždutės žyma

Siurblyje įdiegta akumulatoriaus apsaugos sistema. Ši sistema automatiškai nutraukia energijos tiekimą varikliui, siekiant pailginti akumulatoriaus eksploataciją.

Siurblys automatiškai nustoja veikti, jei jis ir (arba) akumulatorius patenka į toliau aprašomą situaciją:

Perkrova:

Siurblys eksploatuojamas taip, kad ima vartoti nenormaliai didelio stiprio srovę.

Tokiu atveju siurbį reikia išjungti ir nutraukti toki režimą, dėl kurio siurblys buvo perkrautas. Tada siurbį reikia paleisti iš naujo.

Jei siurblys neįsijungia, vadinasi, perkaito akumulatorius. Tokiu atveju, prieš vėl įjungdami siurbį, leiskite akumulatoriui atvėsti.

Žema akumulatoriaus įtampa:

Siurblys neveikia, nes per mažas akumulatoriaus įkrovos likutis. Tokiu atveju reikia išimti akumulatorių ir jį įkrauti.

PASTABA. Apsauga nuo perkaitimo veikia tik su akumulatorių kasete, turinčia žvaigždės žymą.

Akumulatoriaus įkrovos lygio indikacija

Taikoma tik akumulatorių kasetėms, kurių modelio numerio pabaigoje yra raidė „B“

► 4 pav.:

1. Indikatorių lempučių
2. Patikros mygtukas

Paspauskite akumulatorių kasetės patikros mygtuką, kad būtų parodytas akumulatoriaus įkrovos lygis. Kelioms sekundėms įsijungia indikatorių lempučių.

Indikatorių lempučių			Įkrovos likutis
Šviečia	Nešviečia	Mirksi	
			Nuo 75 % iki 100 %
			Nuo 50 % iki 75 %
			Nuo 25 % iki 50 %
			Nuo 0 % iki 25 %
			Įkraukite akumulatorių.
			Akumulatorius gali būti sugedęs.

PASTABA. Atsižvelgiant į naudojimo sąlygas ir aplinkos temperatūrą, indikacija gali šiek tiek skirtis nuo faktinio įkrovos lygio.

DARBAS

Naujame siurblyje nebūna alyvos.

Žr. „Alyvos įpylimas“, kur rašoma, kaip įpilti alyvos.

⚠️ JSPĖJIMAS! Jei bandysite eksploatuoti siurblių be alyvos, ji sugadinsite. Be to, alyvos bakas gali pernelyg įkaisti ir nudeginti arba sukelti kitus nelaimingus atsitikimus.

Alyvos įpylimas

► 5 pav.:

1. Alyvos įpylimo / išmetimo angos dangtelis
 2. Lygio linija
 3. Stebėjimo langelis
 4. Alyvos bakas
1. Atsukite alyvos įpylimo / išmetimo angos dangtelį ir įpilkite alyvos.

DĖMESIO: Siekdami palaikyti optimalų siurblio našumą, būtinai naudokite „Makita“ originalią alyvą.

2. Alyvą pilkite, kol jos lygis bus tarp viršutinės ir apatinės lygio linijų stebėjimo langelyje.

DĖMESIO: Alyvos lygis – svarbu. Jei leisite siurbliui veikti alyvos lygiui nesant tarp viršutinės ir apatinės linijų, gali įvykti gedimas.

Našumo patikra

► 6 pav.:

1. Įsiurbimo anga
 2. Žemo slėgio pusės vožtuvas
 3. Vakuuminis siurblys
 4. Kolektorius
1. Pripildymo žarna sujunkite kolektoriaus žemo slėgio pusės vožtuvą su siurblio įsiurbimo anga.
 2. Uždarykite kolektoriaus žemo slėgio pusės vožtuvą.
 3. Atidarykite įsiurbimo nutraukimo vožtuvą.
 4. Atidarykite įsiurbimo vožtuvą.
 5. Įjunkite siurblių. Jei slėgis kolektoriuje per 30 sekundžių pasiekia intervalą nuo $-0,09$ iki $-0,1$ MPa, vadinasi, siurblys veikia tinkamai.
 6. Išjunkite siurblių.

Eksploatacija

► 7 pav.:

1. Vakuuminis siurblys
 2. Įsiurbimo nutraukimo vožtuvas
 3. Pripildymo žarna (geltona)
 4. Kolektorius
 5. Žemo slėgio pusės vožtuvas
 6. Žemo slėgio matuoklis
 7. Aukšto slėgio pusės vožtuvas
 8. Pripildymo žarna (mėlyna)
 9. Priežiūros anga (žemo slėgio pusė)
 10. Lauko blokas
1. Sujunkite siurblių, kolektorių ir lauko bloką žarnomis.

PASTABA. Jei bloko priežiūros anga yra 1/4 col. skersmens, naudokite pateiktą kitokio skersmens adapterį.

2. Patikrinkite, ar uždaryti kolektoriaus aukšto ir žemo slėgio pusės vožtuvai.
3. Įrenkite ant siurblio akumuliatorių. (Žr. „Akumuliatorių kasetės įdėjimas ir išėmimas“, kur aprašomas įrengimo metodas.)

4. Įjunkite siurblių. Įsijungia šviesos diodų lemputė (žalia).
5. Atidarykite siurblio įsiurbimo nutraukimo vožtuvą ir kolektoriaus žemo slėgio pusės vožtuvą.

⚠️ JSPĖJIMAS! Veikdamas siurblys itin įkaista ir išjungtas kurį laiką išlieka karštas. Nelieskite siurblio, kol jis karštas. Kitaip galite nusideginti arba gali įvykti kitoks nelaimingas atsitikimas.

PASTABA. Kai lauke šalta (5°C arba žemesnė temperatūra), variklis gali neveikti. Tokiu atveju reikia įnešti siurblių į patalpą ir palaukti, kol jis pašils.

6. Pasiekę nurodytą vakuumą (žr. oro kondicionieriaus naudojimo instrukciją), uždarykite kolektoriaus žemo slėgio pusės vožtuvą.
7. Uždarykite įsiurbimo nutraukimo vožtuvą ir išjunkite siurblių.

Sandarumo bandymas oru

Jei slėgis kolektoriuje nekyla 5 minutes arba ilgiau, palikus siurblių ir kolektorių veikti, vadinasi, nuotėkių nėra.

PASTABA. Išsekus akumuliatoriui, šviesos diodų lemputė išsijungia ir pasigirsta ilgi pavojaus signalai. Praėjus dar dviem minutėms, variklis išsijungia. Tada ilgų pavojaus signalų pypsėjimas virsta trumpais signalais, kurie informuoja apie išsijungusį variklį. Po 30 sekundžių pypsėjimas nutyla. Vis dėlto nereikia laukti, kol variklis išsijungs (arba pasigirs trumpi pypsėjimo signalai): iki tol uždarykite siurblio įsiurbimo angos vožtuvą ir kolektoriaus žemo slėgio pusės vožtuvą.

Patikrinkite, ar siurblys išjungtas, išimkite akumuliatorių, įkraukite jį arba pakeiskite atsarginiu.

- Žr. toliau pateikiamą lentelę, kur nurodyti akumuliatorių veikimo trukmės rodikliai.

Veikimo trukmė (rekomendacija)

Akumuliatorius	Veikimo trukmė
BL1860B	75 min.
BL1850 / BL1850B	50 min.
BL1840 / BL1840B	40 min.
BL1830 / BL1830B	30 min.

- Baigę darbą atjunkite akumuliatorių ir prijunkite pateiktą dangtį.

DĖMESIO: Transportuojant, eksploatuojant ir sandėliuojant siurblio negalima paversti ant šono arba apversti aukštyn dugnu. Kitaip pro alyvos pildymo / ventilacijos dangtelį gali ištėkėti alyvos.

Transportavimas ir sandėliavimas

- Prieš transportuodami būtinai išleiskite iš savo vakuuminio siurblio visus skysčius, kad neapgadintumėte talpyklos.
- Visada uždenkite įsiurbimo angą dangteliu, kad ji siurblių nepatektų dulkių.
- Užtikrinkite, kad siurblys būtų laikomas horizontalioje padėtyje.
- Siurblys turi būti sandėliuojamas patalpoje, kur aplinkos temperatūra siekia $5-40^{\circ}\text{C}$.

TECHNINĖ PRIEŽIŪRA

⚠️ATSARGIAI! Prieš pradėdami vykdyti siurblio patikros ar techninės priežiūros darbus, būtinai pasirūpinkite, kad jis būtų išjungtas, o akumuliatorių kasetė – išimta.

DĖMESIO: Jokiu būdu nenaudokite gazolino, benzino, skiediklio, alkoholio ar pan. Kitaip gali išblukti paviršius, atsirasti deformacijų ar įtrūkimų.

Siekiant palaikyti gaminio SAUGĄ ir PATIKIMUMĄ, remonto, bet kokios kitos techninės priežiūros ar reguliavimo darbai turi būti vykdomi tik „Makita“ įgaliotuosiuose arba gamykliniuose serviso centruose ir tik naudojant „Makita“ atsargines dalis.

Kaip išjungti siurbį:

Siekiant pailginti siurblio eksploataciją ir paversti palemimą sklandesniu, reikia laikytis toliau nurodytų siurblio išjungimo procedūrų.

1. Uždarykite kolektoriaus vožtuvą, įrengtą tarp siurblio ir sistemos.
2. Ištraukite žarną iš siurblio įsiurbimo angos.

Uždenkite įsiurbimo angą, kad į ją nepatektų teršalų ir pašalinių medžiagų.

Alyvos patikra

► 8 pav.:

1. Lygio linija
 2. Stebėjimo langelis
- Prieš naudodami siurbį, būtina patikrinkite alyvos lygį ir būklę (gedimo laipsnį ir pan.).

PASTABA. Alyvą pilkite, kol jos lygis bus tarp viršutinės ir apatinės lygio linijų stebėjimo langelyje.

Alyvos keitimas

► 9 pav.:

1. Įsiurbimo nutraukimo
 2. Išleidimo kamštis vožtuvas
1. Atidarykite įsiurbimo nutraukimo vožtuvą.
 2. Leiskite siurbliui paveikti 1–2 minutes, kad pašildytumėte alyvą.
 3. Išjunkite siurbį.
 4. Išimkite išleidimo kamštį ir išleiskite alyvą.
 5. Žr. „Alyvos įpylimas“, kur rašoma, kaip įpilti naujos alyvos.
- Utilizuokite seną alyvą laikydamiesi vietinių reglamentų.

PASTABA. Rekomenduojama pakeisti alyvą praėjus 20 veikimo valandų, kad siurblio komponentai būtų apsaugoti nuo teršalų įtraukimo į siurbį.

Vakuumuojant senas šaldymo sistemas, alyvą reikia keisti po kiekvieno panaudojimo.

Vakuuminio siurblio alyva:

Bet kokiam didelio našumo vakuuiniame siurblyje naudojamos alyvos būklė ir tipas – ypač svarbūs veiksniai, nulemiantys galutinį pasiekiamą vakuumo lygį. Rekomenduojama naudoti didelio našumo vakuuinių siurblių alyvą, kurios specifinis mišinys palaiko maksimalią klampą įprastoje temperatūroje ir padeda paleisti įrenginį šaltu oru.

Siurblio valymas

1. Jei alyva itin užteršta, pakeiskite ją ir leiskite siurbliui paveikti 3–5 minutes.
2. Išleiskite alyvą ir įpilkite naujos.
Jei išleista alyva vis dar užteršta, pakartokite šį valymo procesą du–tris kartus.

Trikčių diagnostika ir sprendimas

Situacija	Galima priežastis	Sprendimas
Nepavyksta paleisti siurblio.	<ol style="list-style-type: none"> 1. Akumuliatorius nenustatytas tinkamai. 2. Per žema aplinkos temperatūra. 3. Netinkamai sujungti laidai. 4. Siurblys užblokuotas. 5. Variklio gedimas. 	<ol style="list-style-type: none"> 1. Tinkamai nustatykite akumuliatorių. 2. Pašildykite siurbį patalpoje. 3. Suremontuokite. 4. Suremontuokite. 5. Suremontuokite.
Siurblys nepasiekia pageidaujamo vakuumo lygio.	<ol style="list-style-type: none"> 1. Nuotėkis sistemoje. 2. Nepakanka alyvos. 3. Nešvari alyva. 4. Siurblio dalys susidėvėjo. 5. Pažeistos jungiamosios detalės, tarpinės ir sandariklis. 6. Variklio gedimas. 	<ol style="list-style-type: none"> 1. Suremontuokite sistemą. 2. Įpilkite arba pakeiskite alyvą. 3. Išvalykite talpyklą ir pakeiskite alyvą. 4. Suremontuokite. 5. Suremontuokite. 6. Suremontuokite.
Alyvos nuotėkis.	<ol style="list-style-type: none"> 1. Pažeistos tarpinės ir veleno sandarikliai. 2. Pažeistas alyvos išleidimo kamščio žiedinis sandariklis. 3. Laisvas alyvos išleidimo kamštis. 	<ol style="list-style-type: none"> 1. Suremontuokite. 2. Pakeiskite žiedinį sandariklį. 3. Priveržkite alyvos išleidimo kamštį.
Nenormalus triukšmas.	<ol style="list-style-type: none"> 1. Variklio gedimas. 2. Guolio gedimas. 3. Laisvi varžtai. 4. Siurblio gedimas. 5. Įtraukiama oro. 	<ol style="list-style-type: none"> 1. Suremontuokite. 2. Suremontuokite. 3. Priveržkite varžtus. 4. Suremontuokite. 5. Priveržkite dangtelius ir jungtis. Pakeiskite tarpines ir žiedinius sandariklius. Pakeiskite jungiamąsias detales arba iš naujo jas užsandarininkite.

Pastaba: jei šiomis procedūromis nepavyksta išspręsti problemos, susisiekite su savo artimiausiu „Makita“ įgaliotuju platintoju arba nusiųskite savo siurbį į mūsų serviso centrą.

PAPILDOMI PRIEDAI

⚠️ATSARGIAI! Su šioje instrukcijoje aptariamu „Makita“ įrankiu rekomenduojama naudoti toliau nurodytus priedus. Jei naudosite bet kokius kitus priedus, gali kilti susižalojimo pavojus. Priedus reikia naudoti tik pagal jų nurodytąją paskirtį.

Jei jums reikia pagalbos ar išsamesnės informacijos apie šiuos priedus, susisiekite su savo vietiniu „Makita“ serviso centru.

- „Makita“ originalūs akumuliatoriai ir įkrovikliai
- Vakuuminio siurblio alyva: 150 ml
- Vakuuminio siurblio aliumininis korpusas
- Vakuuminio siurblio žarna
- Vakuuminio siurblio vožtuvas su matuokliu

PASTABA. Kai kurie sąraše pateikiami priedai gali būti standartiniai (pateikti įrankio komplekte). Jie atskirose šalyse gali būti skirtingi.

TEHNILISED ANDMED

Mudel:	DVP180
Akukassett (mahutavus)	BL 1860B (6,0 Ah) BL 1850 / BL 1850B (5,0 Ah) BL 1840 / BL 1840B (4,0 Ah) BL 1830 / BL 1830B (3,0 Ah)
Nimipinge	18 V alalisvool
Pump	Üheastmeline rootorpump
Vaba õhu väljasurve	50 l/min
Piirvaakum	20 Pa
Õli mahutavus	100–115 ml
Sisselaskeava	5/16" väliskeermega muhvots
Mõõtmed	263 mm (P) × 93 mm (L) × 172 mm (K)
Netomass (koos BL1850 akuga)	3,5 kg

- Meie pideva uurimis- ja arendustegevuse tõttu võivad siin esitatud tehnilised andmed ette teatamata muutuda.
- Tehnilised andmed ja akukassett võivad riigiti erineda.
- Mass (koos akukassettiga) põhineb 2003. aasta jaanuaris läbitud EPTA protseduuril.

Vaakumpumba tööülesandeks on õhu väljutamine suletud süsteemidest (kliimaseadmetest, paakidest jms).

See seade on ette nähtud kasutamiseks kütte-, ventilatsiooni- ja (õhk)jahutussüsteemidega (HVAC & R).

Tänu pumba üheastmelisele ehitusele on lõpliku nõutud vaakumitaseme saavutamine lihtne.

Tänu suurele vaateavale ja õlitaseme hõlpsa kontrollimise võimalusele väldite pumba töötamist õli lõppemise korral ja tagate seadme töökindluse.

Lisaks aitab tagasilöögiklapp vältida õlide segunemist, mis võiks tekkida toitekatkestusele järgnevast tagasivoolust või mõnest muust protsessi katkestusest.

Sümbolid

Järgnevalt kirjeldatakse seadmel kasutatavaid sümboleid.

Enne seadme kasutamist veenduge, et mõistate nende tähendust.



- Lugege kasutusjuhendit.



- Hoiatus: kuum pind!
Ärge puudutage seda sümboolit ümbritsevat pindu.
Vastasel juhul riskite põletuste ja kehavigastustega.



- Kasutamiseks ainult EL-i riikides.
Ärge kõrvaldage elektriseadmeid või patareikogumeid koos olmejäätmetega!
Vastavalt elektri- ja elektroonikaseadmete jäätmeid ning patareisid ja akusid ning patarei- ja akujäätmeid käsitlevatele Euroopa direktiividele ja nende rakendamisele siseriiklikus õiguses, tuleb tööea lõppu jõudnud elektriseadmed, patareisid ja patareikogumid kokku koguda eraldi ja viia keskkonnanõuetele vastavasse jäätmepunkti.

EL-i vastavusdeklaratsioon

Kasutamiseks ainult EL-i riikides.

EL-i vastavusdeklaratsiooni leiате kasutusjuhendi lisast A.

Üldised mootortööriistade ohutushoiatused

⚠ HOIATUS! Lugege läbi kõik ohutushoiatused ja juhised. Vastasel juhul riskite elektrilöögi, tulekahju ja/või raskete kehavigastustega.

Hoidke kõik hoiatused ja juhised tuleviku tarbeks alles.

Hoiatuses kasutatav termin „mootortööriist“ tähistab elektrivõrku ühendatavat (juhtmega) mootortööriista või akutoitel töötavat (juhtmata) mootortööriista.

Tööpiirkonna ohutus

1. **Hoidke tööpiirkond puhta ja hästi valgustatuna.** Korratud või pimedad piirkonnad soodustavad õnnetuste juhtumist.
2. **Ärge kasutage mootortööriistu plahvatusohtlikus keskkonnas (nt kui tööpiirkonnas leidub kergsüttivaid vedelikke, gaase või tolmu).** Mootortööriistad tekitavad sädemeid, mis võivad süüdata tolmu või auru.
3. **Mootortööriista kasutamise ajal hoidke lapsed ja kõrvalised isikud sellest eemal.** Tähelepanu hajumise korral võite kaotada kontrolli seadme üle.

Elektriohutus

4. Mootortööriista pistik peab sobima pistikupesaga. Ärge modifitseerige pistikut mitte mingil moel. Ärge kasutage maandatud mootortööriistade puhul adapterpistikuid. Modifitseerimata pistikuid ja sobivaid pistikupesi kasutades vähendate elektrilöögi ohtu.
5. Vältige keha kokkupuudet maandatud pindadega (nt torude, radiaatorite, pliitide ja külmikutega). Kui teie keha on maandatud, esineb suurem elektrilöögi oht.
6. Ärge jätke mootortööriistu vihma kätte või märgadesse tingimustesse. Mootortööriista sisse sattunud vesi suurendab elektrilöögi ohtu.
7. Ärge kahjustage seadme toitejuhet. Ärge kasutage toitejuhet mootortööriista kandmiseks, tõmbamiseks või pistikupesast eemaldamiseks. Vältige toitejuhtme kokkupuudet kuumuse, õli, teravate servade ja liikuvate osadega. Kahjustatud või sassis toitejuhtmed suurendavad elektrilöögi ohtu.
8. Kui töötate mootortööriistaga välitingimustes, kasutage välitingimustes kasutamiseks sobivat pikendusjuhet. Välitingimustes kasutamiseks sobiv pikendusjuhe vähendab elektrilöögi ohtu.
9. Kui mootortööriistaga niisketes oludes töötamine on vältimatu, kasutage rikkevooluvabastiga (GFCI) kaitsitud toidet. Rikkevooluvabasti vähendab elektrilöögi ohtu.

Isikukaitse

10. Olge mootortööriista kasutamise ajal valvas, keskenduge tööle ja kasutage tervet mõistust. Ärge kasutage mootortööriista, kui olete väsinud või uimastite, alkoholi või ravimite mõju all. Hetkeline tähelepanematus mootortööriista kasutamise ajal võib lõppeda raskete kehavigastustega.
11. Kasutage isikukaitsevahendeid. Kandke alati kaitseprille. Töötingimustele vastavad kaitsevahendid (nt respiraator, libisemiskindlad turvajalalsid, kiiver või kõrvaklapid) vähendavad kehavigastuste ohtu.
12. Vältige seadme soovimatut käivitumist. Enne tööriista ühendamist toiteallika ja/või patareikogumiga, kätte võtmist ja kandmist veenduge, et seadme toitelüliti on väljalülitatud asendis. Kui kannate mootortööriista kas sisselülitatud olekus või sõrm toitelülilil, soodustate õnnetuste juhtumist.
13. Enne mootortööriista sisselülitamist eemaldage selle küljest kõik seadistus- ja mutrivõtmed. Mootortööriista mõne pöörleva osa külge jäänud (mutri)võti võib põhjustada kehavigastusi.
14. Vältige seadme kasutamise ajal küünitamist. Veenduge alati, et teie jalgealune on kindel, ja hoidke tasakaalu. See tagab mootortööriista üle ootamatutes olukordades parema kontrolli.
15. Kandke nõuetekohaseid rõivaid. Ärge kandke avaraid rõivaid ja ehteid. Hoidke juuksed, rõivad ja kindad liikuvatest osadest eemal. Avarad rõivad, ehted ja pikad juuksed võivad liikuvate osade külge takerduda.

16. Kui tööriista komplekti kuuluvad tolmueemaldus- ja -kogumissüsteemidega ühendatavad seadised, tuleb need kindlasti ühendada ja nõuetekohaselt kasutusele võtta. Tolmukogumissüsteemi kasutamine aitab vähendada tolmuga seonduvaid ohte.

Mootortööriista kasutamine ja hooldamine

17. Ärge kasutage mootortööriista suhtes liigset jõudu. Kasutage tööülesande täitmiseks sobivat mootortööriista. Sobivat mootortööriista kasutades saate töö tehtud tõhusamalt, ohutumalt ja kiiremini.
18. Ärge kasutage mootortööriista, mida pole võimalik toitelülilit sisse- või välja lülitada. Mootortööriist, mida pole võimalik juhtida toitelülitiga, on ohtlik ja vajab remonti.
19. Enne seadme reguleerimist, tarvikute vahetamist ja mootortööriista hoialepanekut eemaldage alati toitejuhtme pistik toiteallikast ja/või patareikogum mootortööriista küljest. Säärased ennetavad ohutusmeetmed vähendavad mootortööriista soovimatu käivitumise ohtu.
20. Kui mootortööriista hetkel ei tarvitata, hoidke seda lastele kättesaamatus kohas ning ärge laske seda kasutada isikutel, kel puudub selleks piisav kogemus või kes pole läbi lugenud seadme kasutusjuhendit. Mootortööriist on vilumatu kasutaja kätes ohtlik.
21. Hooldage mootortööriistu nõuetekohaselt. Veenduge, et seadme (liikuvad) osad pole eritelgsed, takerdunud või purunenud ja et ei esine muid tingimusi, mis võiksid mõjutada mootortööriista talitlust. Kui mootortööriist on kahjustada saanud, tuleb seda enne kasutamist remontida. Paljud õnnetused on tingitud mootortööriistade kehvast hooldamisest.
22. Hoidke löikeriistad terava ja puhtana. Nõuetekohaselt hooldatud ja teravate lõikeservadega löikeriistad takerduvad harvem ja neid on lihtsam juhtida.
23. Kasutage mootortööriista, tarvikuid, otsakuid jms vastavalt kasutusjuhendile, arvestades seejuures töötingimuste ja tööülesande tüübiga. Kui kasutate mootortööriista eesmärgil, milleks see pole ette nähtud, riskite kehavigastuste ja varalise kahjuga.

Akutööriista kasutamine ja hooldamine

24. Kasutage seadme laadimiseks ainult tootja soovitatud laadijat. Laadija, mis sobib kasutamiseks koos ühte tüüpi patareikogumiga, võib mõne muu patareikogumiga kasutades tekitada tuleohtu.
25. Kasutage mootortööriistu ainult selleks ette nähtud patareikogumitega. Muid patareikogumeid kasutades riskite kehavigastuste ja tulekahjuga.
26. Kui patareikogum pole hetkel kasutusel, hoidke seda eemal muudest metallesemetest (nt kirjaklambritest, müntidest, võtmetest, naeltest, kruvidest või muudest väikestest metallesemetest), mis võiksid ühendada ühe klemmi teisega. Akuklemmide lühistamise korral riskite põletuste ja tulekahjuga.

27. Aku kahjustuste korral võib sellest väljuda vedelikku: vältige sellega kokkupuudet. Kokkupuute korral loputage kannatada saanud kehapiirkonda veega. Kui vedelik satub silma, pöörduge lisaks viivitamatult arsti poole. Akust väljunud vedelik võib põhjustada nahaärritust või põletusi.

Hooldamine

28. Laske mootortööriista hooldada kvalifitseeritud remondimehel, kes kasutab ainult identseid varuosi. See aitab tagada mootortööriista ohutuse.
29. Järgige tarvikute vahetamise ja määrdejuhiseid.
30. Hoidke käepidemed kuiva, puhta ning õli- ja määrdevabana.

Juhtmeta vaakumpumba ohutusohiatused

Lugege hoolikalt kasutusjuhendit! Kasutaja ohutus sõltub suuresti protseduuride rangest järgimisest.

1. Vaakumpump on masin, mida kasutatakse jahutus- ja kliimaseadmete ning kogumisanumate tühjendamiseks. Ärge kasutage seda muuks otstarbeks. Vastasel juhul riskite õnnetustega.
2. Enne vaakumpumba kasutamist veenduge alati, et sellest ei leki õli. Vastasel juhul riskite tulekahjuga.
3. Ohutu ja tõhusa töö tagamiseks kontrollige õli taset ja seisundit (kvaliteedi halvenemist jms).
4. Kandke külmutusagensi käitlemisel kaitseprille ja kindaid. Vältige kokkupuudet külmutusagensiga, kuna vastasel juhul riskite nägemiskaotuse ja kehavigastustega.
5. Äärmiselt kuumades või külmades tingimustes pole seadme nõuetekohane talitus tagatud.

HOIDKE KÄESOLEV JUHEND ALLES.

⚠ HOIATUS! ÄRGE unustage toote tundmise ja pikaajalise kasutamise tõttu rangelt järgida kõiki kehtivaid ohutuseeskirju.

Seadme VÄÄRKASUTUSE ja/või kasutusjuhendis esitatud ohutuseeskirjade eiramisega võivad kaasnedä rasked kehavigastused.

Akukassetti olulised ohutusjuhised

1. Enne akukassetti kasutamist tutvuge kõigi juhiste ja hoiatustähistustega, mille leiata (1) akulaadijalt, (2) akult ja (3) akutoitega tootelt.
2. Ärge võtke akukassetti osadeks lahti.
3. Kui talitlusaeg on muutunud märgatavalt lühemaks, lõpetage kasutamine viivitamatult. Vastasel juhul riskite ülekuumenemise, põletuste ja isegi plahvatusesega.
4. Kui elektrolüüti satub silma, loputage neid puhta veega ja pöörduge viivitamatult arsti poole. Vastasel juhul riskite nägemiskaotusega.
5. Ärge lühistage akukassetti.
 - (1) Ärge puudutage klemme mõne juhtiva materjaliga.

- (2) Vältige akukassetti hoidmist mahutis, kus leidub ka muid metallesemeid (nt naelu, münste jms).

- (3) Vältige akukassetti kokkupuudet veega ja ärge jätke seda vihma kätte.

Aku lühisega võivad kaasnedä suur elektrivool, ülekuumenemine ja purunemine.

6. Ärge hoidke tööriista ja akukassetti kohas, kus temperatuur võib ületada 50 °C.
7. Ärge põletage akukassetti isegi mitte siis, kui see on tugevasti kahjustatud või täiesti tühi. Akukassett võib tulle sattudes plahvatada.
8. Vältige aku mahapillamist ja kaitske seda mehaaniliste löökide eest.
9. Ärge kasutage kahjustatud akut.
10. Järgige aku kõrvaldamisel kohalikke eeskirju.

HOIDKE KÄESOLEV JUHEND ALLES.

⚠ ETTEVAATUST! Kasutage ainult Makita originaalakusid. Kui kasutate Makita mitte-originaalakusid või muudetud akusid, riskite patarei plahvatamisest tingitud tulekahju, kehavigastuste ja varalise kahjuga. Lisaks kaotab sel juhul kehtivuse Makita tööriistale ja laadijale antud Makita garantii.

Aku maksimaalse tööea säilitamise soovitusi

1. Laadige akukassetti enne, kui see saab täiesti tühjaks. Kui märkate, et tööriista võimsus on vähenenud, seisake tööriist ja laadige akukassetti.
2. Ärge laadige täielikult laetud akukassetti. Ülelaadimine lühendab aku tööiga.
3. Laadige akukassetti toatemperatuuril vahemikus 10–40 °C. Laske kuumal akul jahtuda, enne kui seda laadima asute.
4. Laadige akukassetti, kui te ei plaani seda kasutada pikema perioodi (enam kui kuue kuu) vältel.

OSADE KIRJELDUS

► Joon 1.

- | | |
|------------------------------|------------------|
| 1. Vaateava | 7. Toitelüliti |
| 2. Õlipaagi/õhutuskork | 8. LED-lambike |
| 3. Sisselaskeava sulgeklaapp | 9. Mootor |
| 4. Käepide | 10. Alus |
| 5. Akuhoidik | 11. Õlipaak |
| 6. Aku | 12. Äravoolumork |

TALITLUSE KIRJELDUS

⚠ETTEVAATUST! Veenduge enne pumba reguleerimist või selle talitluse kontrollimist alati, et pump on välja lülitatud ja akukassett eemaldatud.

Akukasseti paigaldamine või eemaldamine

⚠ETTEVAATUST! Lülitage pump alati välja, enne kui asute akukassetti paigaldama või eemaldama.

⚠ETTEVAATUST! Akukasseti paigaldamise või eemaldamise ajal hoidke pumba ja akukassetti kindlalt paigal. Vastasel juhul võivad need teil käest libiseda ning põhjustada pumba/akukasseti kahjustusi ja kehavigastusi.

► Joon 2.

1. Punane indikaator
2. Nupp
3. Akukassett

Akukasseti eemaldamiseks libistage seda pumbast eemale, libistades samaaegselt kasseti esiküljel asuvat nuppu.

Akukasseti paigaldamiseks joondage akukasseti sakk korpuse soonega ja libistage kassett oma kohale. Sisestage sakk, kuni see lukustub vaigse klõpsatuse saatel oma kohale. Kui nupu pealisküljel on veel näha punast indikaatorit, pole aku täielikult lukustunud.

⚠ETTEVAATUST! Sisestage akukassetti alati nii kaua, kuni punast indikaatorit pole enam näha. Vastasel juhul võib see pumbast kogemata välja kukkuda ning teile või teistele kehavigastusi tekitada.

⚠ETTEVAATUST! Ärge kasutage akukasseti paigaldamisel liigset jõudu. Kui kassett ei libise hõlpsalt oma kohale, sisestate seda valesti.

Akukaitsesüsteem

► Joon 3.

1. Tähekujuuline märk

Pump on varustatud akukaitsesüsteemiga. See süsteem katkestab aku tööea pikendamiseks automaatselt mootori toite.

Pump seiskub talitluse ajal automaatselt, kui pump ja/või aku saavutab ühe järgmistest seisunditest.

Ülekoormus:

Pumpa käitatakse viisil, millega kaasneb ebanormaalselt suur voolutarve.

Sellises olukorras lülitage pump välja ning lõpetage selle tööülesande täitmine, mis põhjustab pumba ülekoormuse. Seejärel lülitage pump uuesti sisse.

Kui pump ei käivitu, on aku üle kuumenenud.

Sellises olukorras laske akul jahtuda, enne kui pumba taas sisse lülitate.

Väike akupinge:

Aku praegune mahutavus on liiga väike ja pump ei saa seetõttu töötada. Sellises olukorras eemaldage aku ja laadige seda.

MÄRKUS. Ülekuumenemiskaitse töötab ainult koos akukassetiga, mis kannab tähekujuulist märki.









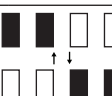
Aku praeguse mahutavuse kontrollimine

Võimalik vaid nende akukassettide puhul, mille mudeli number lõpeb tähega „B”.

► Joon 4.

1. Indikaatorlambid
2. Kontrollnupp

Aku praeguse mahutavuse kontrollimiseks vajutage akukassetil asuvat kontrollnuppu. Indikaatorlambid süttivad mõneks sekundiks.

Indikaatorlambid			Praegune mahutavus
 Põleb	 Ei põle	 Vilgub	
			75% kuni 100%
			50% kuni 75%
			25% kuni 50%
			0% kuni 25%
			Laadige akut.
			Võimalik aku tõrge.

MÄRKUS. Kasutustingimustest ja ümbrustemperatuurist sõltuvalt võib näit tegelikust mahutavusest veidi erineda.

KÄITAMINE

Pump ei sisalda ostmise hetkel õli. Vt jaotist „Õli lisamine” ja lisage õli.

⚠HOIATUS! Kui käitate pumba, ilma et sellesse oleks lisatud õli, saab pump kahjustada. Lisaks läheb õlipaak kuumaks ning võib põhjustada põletusi ja muid õnnetusi.

Õli lisamine

► Joon 5.

1. Õlipaagi/õhutuskork
2. Tasemejoon
3. Vaateava
4. Õlipaak

1. Eemaldage õlipaagi/õhutuskork ja lisage täiteava kaudu õli (kuulub komplekti).

PANGE TÄHELE Pumba töökindluse tagamiseks kasutage alati Makita originaalõli.

2. Lisage õli, kuni õlitase jääb vaateava ülemise ja alumise joone vahele.

PANGE TÄHELE Õlitaseme jälgimine on oluline. Kui käitate pumba seisundis, kus õlitase ei jää ülemise ja alumise tasemejoone vahele, riskite pumba tõrkega.

Jõudluse kontrollimine

► Joon 6.

1. Sisselaskeava
 2. Madala poole klapp
 3. Vaakumpump
 4. Hargnemiskoht
1. Ühendage hargnemiskoha madala poole klapp ja pumba sisselaskeava laadimisvoolikuga.
 2. Sulgege hargnemiskoha madala poole klapp.
 3. Avage sisselaskeava sulgeklapp.
 4. Avage õhuklapp.
 5. Lülitage pump sisse. Kui hargnemiskoha surve näitab 30 sekundi jooksul vaakumit vahemikus $-0,09$ kuni $-0,1$ MPa, töötab pump nõuetekohaselt.
 6. Lülitage pump välja.

Käitamine

► Joon 7.

1. Vaakumpump
 2. Sisselaskeava sulgeklapp
 3. Laadimisvoolik (kollane)
 4. Hargnemiskoht
 5. Madala poole klapp
 6. Madala poole manomeeter
 7. Kõrge poole klapp
 8. Laadimisvoolik (sinine)
 9. Hooldusava (madala surve pool)
 10. Väliseade
1. Ühendage pump, hargnemiskoht ja väliseade voolikutega.

MÄRKUS. Kui seadme hooldusava suurus on $1/4''$, kasutage komplekt kuuluvat teise läbimõõduga adapterit.

2. Veenduge, et hargnemiskoha madala poole ja kõrge poole klapid on suletud.
3. Ühendage aku pumbaga. (Paigaldusjuhised leiate jaotisest „Akukasseti paigaldamine või eemaldamine“.)
4. Lülitage pump sisse. Roheline LED-lambike süttib.
5. Avage pumba sisselaskeava sulgeklapp ja hargnemiskoha madala poole klapp.

⚠HOIATUS! Pump kuumeneb kasutamise ajal ja on kuum ka vahetult pärast seiskamist. Ärge puudutage kuuma pumba. Vastasel juhul riskite põletuste või muude õnnetustega.

MÄRKUS. Mootor ei pruugi käivituda külmades tingimustes (5 °C või alla selle). Säärasel juhul tooge pump sisetingimustesse ja laske sel soojeneda.

6. Kui saavutate nõutud vaakumi (vt kliimaseadme tootja kasutusjuhendit), sulgege hargnemiskoha madala poole klapp.
7. Sulgege sisselaskeava sulgeklapp ja lülitage pump välja.

Hermeetilisuse kontroll

Lekkeid ei teki, kui hargnemiskoha surve ei tõuse vähemalt 5 minuti jooksul pärast pumba ja hargnemiskoha juurest lahkimist.

MÄRKUS. Kui aku praegune mahutavus muutub väikseks, siis LED-lambike kustub ja kuulete samal ajal pikka hoiatusheli. Mootor seiskub umbes kahe minuti pärast. Seejärel muutub hoiatusheli mootori seiskumist tähistavateks lühikesteks piiksatusteks ja 30 sekundi pärast piiksumine lõpeb. Kuid ärge jääge ootama mootori seiskumist (ega hoiatusheli muutumist lühikesteks piiksatusteks), vaid sulgege hoopis pumba õhuklapp ja hargnemiskoha madala rõhuga poole klapp.

Veenduge, et pump on välja lülitatud, eemaldage aku ja laadige seda või vahetage see laetud aku vastu.

- Aku tööajad leiate järgmisest tabelist.

Tööajad (juhised)

Aku	Tööajad
BL1860B	75 min
BL1850 / BL1850B	50 min
BL1840 / BL1840B	40 min
BL1830 / BL1830B	30 min

- Pärast töö lõpetamist eemaldage aku ja paigaldage komplekti kuuluv kate.

PANGE TÄHELE Ärge kunagi asetage pumba transpordi, käitamise ja hoidmise ajaks küljele ega kummuli. Vastasel juhul riskite õli lekkimisega õlipaagi korgist.

Transport ja hoidmine

- Mahuti kahjustuste vältimiseks tühjendage vaakumpump enne transporti alati kõigist vedelikest.
- Katke sisselaskeava alati korgiga, vältides nõnda tolmude sattumist pumba sisemusse.
- Hoidke pumba kindlasti horisontaalasendis.
- Pumba tuleb hoida ümbrustemperatuuril vahemikus $5-40\text{ °C}$.

HOOLDUS

⚠ETTEVAATUST! Veenduge enne pumba ülevaatust või hooldamist alati, et pump on välja lülitatud ja akukassett eemaldatud.

PANGE TÄHELE Ärge kunagi kasutage (mootori) bensiini, vedelid, alkoholi vms. Vastasel juhul riskite värvusemuutuste, moonutuste või pragudega.

Toote ohutuse ja töökindluse tagamiseks tuleb kõik remondi-, hooldus- ja seadistustööd teha Makita volitatud või tehase teeninduskeskustes, kasutades seejuures alati Makita varuosi.

Pumba seiskamine:

Pumba tööea pikendamiseks ja käivitamiseks lihtsustamiseks toimige pumba väljalülitamisel järgmiselt.

1. Sulgege pumba ja süsteemi vahel asuv hargnemiskoha klapp.
2. Eemaldage voolik pumba sisselaskeavast.

Katke kinni sisselaskeava, et selle kaudu ei saaks siseneda saaste- ega vöörosakesed.

Õli kontrollimine

► Joon 8.

1. Tasemejoon
 2. Vaateava
- Ohutu ja tõhusa töö tagamiseks kontrollige enne pumba kasutamist alati õli taset ja seisundit (kvaliteedi halvenemist jms).

MÄRKUS. Lisage õli, kuni õlitase jääb vaateava üllemise ja alumise joone vahele.

Õli vahetamine

► Joon 9.

1. Sisselaskeava sulgeklapp
 2. Äravoolukork
1. Avage sisselaskeava sulgeklapp.
 2. Käitage pumpa 1-2 minutit, et õli soojeneks.
 3. Lülitage pump välja.
 4. Eemaldage äravoolukork ja laske õli välja.
 5. Vt jaotist „Õli lisamine” ja lisage uut õli.
- Kõrvaldage vanaõli vastavalt kohalikele eeskirjadele.

MÄRKUS. Pumba kaitsmiseks selle sisse imetud saasteosakeste eest soovitame õli vahetada iga 20 töötunni järel.

Kui tühjendate vanu jahutusüsteeme, vahetage õli iga kasutuskorra järel.

Vaakumpumba õli:

Kvaliteetse vaakumpumbas kasutatava õli seisund ja tüüp on maksimaalse saavutatava piirvaakumi määratlemisel väga olulised. Soovitame kasutada kvaliteetse vaakumpumba õli, mille eriline segu aitab säilitada maksimaalset viskoossust tavatemperatuuridel ja lihtsustab seadme käivitamist külma ilmaga.

Pumba puhastamine

1. Kui õli on äärmiselt määrduanud, vahetage see välja ja käitage pumpa seejärel 3–5 minutit.
2. Laske õli välja ja lisage uut õli.
Kui välja lastud õli on endiselt määrduanud, korrake puhastusprotsessi kaks-kolm korda.

Veatsing

Seisund	Võimalik põhjus	Lahendus
Pump ei käivitu.	<ol style="list-style-type: none">1. Aku pole õigesti ühendatud.2. Ümbrustemperatuur on liiga madal.3. Juhtmed on kehvasti ühendatud.4. Pump on lukustatud.5. Mootori rike.	<ol style="list-style-type: none">1. Ühendage aku õigesti.2. Soojendage pumba sisetingsimustes.3. Remontige.4. Remontige.5. Remontige.
Pump ei tekita piisavat vaakumit.	<ol style="list-style-type: none">1. Süsteemi leke.2. Liiga vähe õli.3. Määrduanud õli.4. Pumba osad on kulunud.5. Kahjustatud liitmikud, muhvid ja tihend.6. Mootori rike.	<ol style="list-style-type: none">1. Remontige süsteemi.2. Lisage või vahetage õli.3. Puhastage mahuti ja vahetage õli.4. Remontige.5. Remontige.6. Remontige.
Õlileke.	<ol style="list-style-type: none">1. Kahjustatud muhvid ja völlihtendid.2. Äravoolukorgi O-rõngas on kahjustada saanud.3. Õli äravoolukork pole tihedalt suletud.	<ol style="list-style-type: none">1. Remontige.2. Vahetage O-rõngas.3. Sulgege õli äravoolukork tihedalt.
Ebanormaalne müra.	<ol style="list-style-type: none">1. Mootori rike.2. Laagri rike.3. Lahtised poldid.4. Pumba rike.5. Imetakse sisse õhku.	<ol style="list-style-type: none">1. Remontige.2. Remontige.3. Pingutage polte.4. Remontige.5. Pingutage korke ja ühendusi. Vahetage muhvid ja O-rõngad. Vahetage liitmikud või tihendage neid uuesti.

Märkus. Kui eespool kirjeldatud toimingud probleemi ei lahenda, võtke ühendust lähima Makita volitatud edasimüüjaga või saatke pump meie teeninduskeskusesse.

LISATARVIKUD

⚠ETTEVAATUST! Neid tarvikuid või lisaseadiseid soovitatakse kasutada koos käesolevas Makita kasutusjuhendis kirjeldatud tööriistaga. Muid tarvikuid või lisaseadiseid kasutades riskite kehavigastustega. Kasutage tarvikuid või lisaseadiseid ainult selleks ette nähtud otstarbel.

Kui vajate tarvikutega seonduvat abi, pöörduge kohalikku Makita teeninduskeskusesse.

- Makita originaalakud ja -laadijad
- Vaakumpumba õli (150 ml)
- Vaakumpumba alumiiniumkorpus
- Vaakumpumba voolik
- Vaakumpumba klapp (koos mõõdikuga)

MÄRKUS. Mõned loetelus esinevad tooted võivad kuuluda tööriista komplekti kui standardtarvikud. Need võivad riigiti erineda.

ТЕХНИЧЕСКИЕ ХАРАКТЕРИСТИКИ

Модель:	DVP180
Картриджа аккумуляторной батареи (емкость)	BL1860B (6,0 А·ч) BL1850 / BL1850B (5,0 А·ч) BL1840 / BL1840B (4,0 А·ч) BL1830 / BL1830B (3,0 А·ч)
Номинальное напряжение	18 В пост. тока
Насос	Одноступенчатый центробежный насос
Производительность	50 л/мин
Предельное остаточное давление	20 Па
Объем масляной системы	100–115 мл
Вход	Входящий концевой фитинг 5/16 дюйма с развальцовкой
Габаритные размеры	263 мм (Д) × 93 мм (Ш) × 172 мм (В)
Масса нетто (с аккумуляторной батареей BL1850)	3,5 кг

- Вследствие продолжающейся программы научно-исследовательских и опытно-конструкторских работ технические характеристики могут быть изменены без предварительного уведомления.
- Технические характеристики и картриджи аккумуляторной батареи могут отличаться в зависимости от страны.
- Масса с картриджем аккумуляторной батареи указана согласно процедуре EPTA 01/2003

Вакуумный насос для откачивания воздуха их закрытых систем (кондиционеров воздуха, резервуаров и др.). Данное оборудование предназначено специально для систем отопления, вентиляции, кондиционирования воздуха и охлаждения.

Одна ступень таких насосов позволяет обеспечить необходимый уровень остаточного давления.

Конструкция со смотровым стеклом большого размера и низким уровнем масла позволяет исключить работу без масла и гарантирует надежную эксплуатацию.

Кроме того, обратный клапан исключает смешивание масла вследствие противотока после отключения питания или другого прерывания технологического процесса.

Символы

Ниже показаны символы, используемые для данного оборудования.

Перед эксплуатацией оборудования убедитесь, что вы понимаете их смысл.



- Прочитайте инструкцию по эксплуатации.



- Предостережение: горячая поверхность!
Не прикасайтесь к оборудованию вблизи этого символа.
Прикосновение к поверхности может вызвать ожоги или травмы.



- Только для стран ЕС
Не утилизируйте электрическое оборудование и аккумуляторную батарею вместе с бытовыми отходами! В целях соблюдения Директив ЕС по утилизации электрического и электронного оборудования, аккумуляторных батарей и аккумуляторов и отходов аккумуляторных батарей и аккумуляторов и соответствующих требований национального законодательства электрооборудование, аккумуляторные батареи и аккумуляторы, которые достигли конца срока своей службы, следует собирать отдельно от других отходов и отправлять на предприятие, осуществляющее экологически безопасную переработку.

ДЕКЛАРАЦИЯ О СООТВЕТСТВИИ НОРМАМ ЕС

Только для европейских стран
Декларация о соответствии нормам ЕС приведена в Приложении А к настоящей инструкции по эксплуатации.

Общие меры предосторожности при использовании электрических инструментов

⚠ ПРЕДОСТЕРЕЖЕНИЕ: Прочитайте все меры предосторожности и все инструкции. Несоблюдение мер предосторожности и инструкций может привести к поражению электрическим током, пожару и/или тяжелой травме.

Сохраните все предупреждения и инструкции для дальнейшего использования.

Термин “электрический инструмент” в описании мер предосторожности обозначает инструмент с питанием от сети или инструмент с питанием от аккумуляторной батареи.

Безопасность на рабочем месте

1. Следите за чистотой рабочего места и обеспечьте его хорошее освещение. Беспорядок на рабочем месте или недостаточное освещение могут стать причиной несчастных случаев.
2. Не эксплуатируйте электрические инструменты во взрывоопасной атмосфере, например в присутствии легковоспламеняющихся жидкостей, газов или пыли. При работе электрических инструментов возникают искры, которые могут привести к возгоранию пыли или паров.
3. Не допускайте детей и посторонних лиц в места проведения работ с электрическим инструментом. Факторы, отвлекающие внимание, могут привести к потере контроля.

Электрическая безопасность

4. Вилки электрических инструментов должны соответствовать розеткам. Не модифицируйте вилку. Не используйте вилки-переходники с заземленными электрическими инструментами. Неизменные вилки и соответствующие им розетки снижают опасность поражения электрическим током.
5. Не прикасайтесь к заземленным деталям, например трубам, батареям, плитам и холодильникам. Риск поражения электрическим током повышается при заземлении тела.
6. Не подвергайте электрические инструменты воздействию дождя и влаги. Вода, попавшая в электрический инструмент, повышает риск поражения электрическим током.
7. Используйте шнур только по назначению. Не используйте шнур для переноски, перетягивания или отключения электрического инструмента от сети. Держите шнур на безопасном расстоянии от источников тепла, масла, острых кромок и движущихся частей. Поврежденные и спутанные шнуры повышают риск поражения электрическим током.

8. При эксплуатации электрического инструмента вне помещения используйте удлинительный шнур, пригодный для использования вне помещений. Использование шнура, пригодного для использования вне помещений, снижает риск поражения электрическим током.
9. Если применения электрического инструмента во влажных условиях нельзя избежать, используйте источник питания с прерывателем тока при электрическом замыкании на землю. Использование прерывателя тока при электрическом замыкании на землю снижает риск поражения электрическим током.

Личная безопасность

10. При работе с электрическим инструментом будьте внимательны, следите за своими действиями и руководствуйтесь здравым смыслом. Не используйте электрический инструмент, если вы устали или находитесь под воздействием наркотических средств, алкоголя или лекарственных препаратов. Малейшая неосторожность при работе с электрическим инструментом может привести к тяжелой травме.
11. Используйте средства индивидуальной защиты. Всегда носите средства защиты органов слуха. Надлежащее использование таких средств индивидуальной защиты, как противопылевой респиратор, нескользящая защитная обувь, защитный шлем и средства защиты органов слуха снижает риск травм.
12. Примите необходимые меры для предотвращения случайного запуска. Перед подключением к источнику питания и/или аккумуляторной батарее, обращением с электрическим инструментом или его переноской убедитесь, что переключатель находится в выключенном положении. Переноска электрических инструментов с удержанием пальца на переключателе или их подключение к источнику питания, когда переключатель установлен во включенное положение, повышает риск несчастных случаев.
13. Перед включением питания электрического инструмента уберите регулировочные и гаечные ключи. Гаечный или регулировочный ключ, оставленный на вращающейся детали, может привести к травме.
14. Не тянитесь. Всегда сохраняйте правильную стойку и баланс. Это позволит лучше контролировать электрический инструмент во всех непредвиденных ситуациях.
15. Правильно одевайтесь. Не носите свободную одежду и украшения. Держите волосы, одежду и перчатки на безопасном расстоянии от движущихся частей. Свободная одежда, украшения или длинные волосы могут попасть в движущиеся части.
16. Если на устройствах предусмотрены соединения для подключения к оборудованию для улавливания и сбора пыли, убедитесь, что эти соединения правильно используются. Пылеулавливание может снизить риски, связанные с пылью.

Эксплуатация электрического инструмента и уход за ним

17. Не подвергайте электрический инструмент чрезмерным нагрузкам. Используйте электрический инструмент, соответствующий выполняемой работе. Электрический инструмент позволит выполнить работу лучше и безопасней, если он используется под нагрузкой, для которой он рассчитан.
18. Не используйте электрический инструмент, если переключатель не включается или не выключается. Электрический инструмент, которым невозможно управлять с помощью переключателя, опасен и требует ремонта.
19. Перед выполнением регулировок, заменой насадок или хранением электрических инструментов отсоедините вилку от источника питания и/или отключите аккумуляторную батарею от электрического инструмента. Эти меры предосторожности снижают риск случайного включения электрического инструмента.
20. Храните неиспользуемые электрические инструменты вне досягаемости детей и не позволяйте лицам, не знакомым с электрическим инструментом или настоящими инструкциями, управлять электрическим инструментом. Электрические инструменты опасны в руках неопытных пользователей.
21. Поддерживайте электрические инструменты в рабочем состоянии. Проверяйте на несоосность или заедание движущихся частей, поломки деталей и наличие других условий, которые могут сказаться на работе электрического инструмента. В случае наличия повреждений перед дальнейшим использованием электрического инструмента необходимо выполнить его ремонт. Многие несчастные случаи являются следствием плохого ухода за электрическими инструментами.
22. Поддерживайте режущие инструменты чистыми и острыми. Хорошо ухоженные режущие инструменты с острыми режущими кромками режут заедают и легче в управлении.
23. Используйте электрический инструмент, принадлежности, вставные резы и т. п. в соответствии с настоящими инструкциями с учетом условий работы и выполняемой операции. Использование электрического инструмента для операций, для которых он не предназначен, может привести к опасным ситуациям.

Эксплуатация аккумуляторного электрического инструмента и уход за ним

24. Заряжайте только с помощью поставляемого изготовителем зарядного устройства. Зарядное устройство, подходящее для аккумуляторной батареи одного типа, может создавать риск возгорания при использовании с аккумуляторной батареей другого типа.
25. Используйте электрические инструменты только с предназначенными для них аккумуляторными батареями. Использование любых других аккумуляторных батарей может создавать риск получения травмы и возгорания.

26. Если аккумуляторная батарея не используется, храните ее вдали от таких металлических объектов, как скрепки для бумаг, монеты, ключи, гвозди, винты, а также других мелких металлических объектов, которые могут стать причиной короткого замыкания выводов. Короткое замыкание выводов аккумуляторной батареи вместе может привести к ожогам или возгоранию.
27. При неправильном обращении из аккумуляторной батареи может выделяться жидкость. Избегайте контакта с этой жидкостью. При случайном контакте промойте водой. Если жидкость попала в глаза, дополнительно обратитесь за медицинской помощью. Жидкость, выделяемая из аккумуляторной батареи, может вызывать раздражение или ожоги.

Обслуживание

28. Техническое обслуживание электрического инструмента должен проводить квалифицированный специалист по ремонту с использованием запасных частей, идентичных оригинальным. Это позволит поддерживать безопасность электрического инструмента на должном уровне.
29. Следуйте инструкциям по смазке и замене принадлежности.
30. Поддерживайте ручки сухими, чистыми и свободными от масла и смазки.

Меры предосторожности при использовании аккумуляторного вакуумного насоса

Внимательно прочитайте указания в литературе. Строгое соблюдение процедур — основное условие обеспечения безопасности оператора.

1. Вакуумный насос — это устройство, используемое для откачивания воздуха из холодильного оборудования, оборудования кондиционирования воздуха и резервуаров регенерации. Не используйте его для других целей. Это может привести к несчастным случаям.
2. Перед каждым использованием обязательно проверьте вакуумный насос на отсутствие утечек масла. Несоблюдение этого указания может привести к возгоранию.
3. Проверьте уровень и состояние масла (старение и т. п.), чтобы обеспечить безопасную и эффективную работу.
4. При обращении с холодильным агентом носите защитные очки и перчатки. Избегайте контакта с холодильным агентом, поскольку он может привести к слепоте или травмам оператора.
5. Номинальные технические характеристики могут не обеспечиваться в условиях очень высоких или низких температур.

СОХРАНИТЕ ЭТУ ИНСТРУКЦИЮ.

⚠ПРЕДОСТЕРЕЖЕНИЕ: НЕ допускайте небрежного обращения с данным изделием (вызванным его многократным использованием) и строго соблюдайте правила техники безопасности.

НЕПРАВИЛЬНОЕ ИСПОЛЬЗОВАНИЕ и несоблюдение правил техники безопасности, приведенных в настоящей инструкции по эксплуатации, может привести к тяжелым травмам.

Важные правила техники безопасности для картриджа аккумуляторной батареи

1. Перед использованием картриджа аккумуляторной батареи полностью прочитайте инструкцию и предупреждения на (1) зарядном устройстве аккумуляторной батареи, (2) аккумуляторной батарее и (3) устройстве, в которое устанавливается аккумуляторная батарея.
2. Не разбирайте картридж аккумуляторной батареи.
3. Если время работы заметно уменьшилось, немедленно прекратите работу. Это может создать риск перегрева, вызвать ожоги и даже привести к взрыву.
4. В случае попадания электролита в глаза промойте глаза чистой водой и немедленно обратитесь за медицинской помощью. Электролит может вызвать потерю зрения.
5. Не закорачивайте картридж аккумуляторной батареи:
 - (1) не прикасайтесь к выводам токопроводящими материалами;
 - (2) избегайте хранения картриджа аккумуляторной батареи в контейнере вместе с другими металлическими объектами, такими как гвозди, монеты и др.;
 - (3) не подвергайте картридж аккумуляторной батареи воздействию воды или дождя.Короткое замыкание аккумуляторной батареи может привести к возникновению больших токов, перегреву, ожогам и даже поломке.
6. Не храните устройство и картридж аккумуляторной батареи в местах, где температура может достигать или превышать 50 °С.
7. Не сжигайте картридж аккумуляторной батареи, даже если он сильно поврежден или полностью разряжен. В огне картридж аккумуляторной батареи может взорваться.
8. Будьте осторожны, не роняйте и не ударяйте аккумуляторную батарею.
9. Не используйте поврежденную аккумуляторную батарею.
10. Соблюдайте требования местного законодательства по утилизации аккумуляторных батарей.

СОХРАНИТЕ ЭТУ ИНСТРУКЦИЮ.

⚠ПРЕДУПРЕЖДЕНИЕ: Используйте только оригинальные аккумуляторные батареи Makita. Использование не оригинальных аккумуляторных батарей Makita или модифицированных аккумуляторных батарей может привести к взрыву батареи, что в свою очередь может вызвать возгорание, травмы или повреждение имущества. Кроме того, это приведет к аннулированию гарантийных обязательств Makita на инструмент и зарядное устройство Makita.

Рекомендации по увеличению срока службы аккумуляторной батареи

1. Заряжайте картридж аккумуляторной батареи до его полной разрядки. В случае снижения мощности инструмента обязательно прекратите его использование и зарядите картридж аккумуляторной батареи.
2. Не перезаряжайте полностью заряженный картридж аккумуляторной батареи. Перезаряд сокращает срок службы аккумуляторной батареи.
3. Заряжайте картридж аккумуляторной батареи при комнатной температуре от 10 до 40 °С. Перед зарядкой горячего картриджа аккумуляторной батареи дайте ему остыть.
4. Заряжайте картридж аккумуляторной батареи, если он не используется в течение продолжительного периода времени (более шести месяцев).

ОПИСАНИЕ ЧАСТЕЙ

► Рис. 1:

- | | |
|---|---------------------------|
| 1. Смотровое стекло | 6. Аккумуляторная батарея |
| 2. Крышка маслозаливной горловины/сапун | 7. Выключатель питания |
| 3. Впускной запорный вентиль | 8. Светодиодный индикатор |
| 4. Ручка | 9. Двигатель |
| 5. Держатель аккумуляторной батареи | 10. Основание |
| | 11. Масляный бак |
| | 12. Сливная пробка |

ОПИСАНИЕ ФУНКЦИОНИРОВАНИЯ

⚠ПРЕДУПРЕЖДЕНИЕ: Перед выполнением регулировки или проверки работоспособности насоса обязательно убедитесь, что насос выключен и картридж аккумуляторной батареи снят.

Установка и снятие картриджа аккумуляторной батареи

⚠ ПРЕДУПРЕЖДЕНИЕ: Перед установкой или снятием картриджа аккумуляторной батареи обязательно выключайте насос.

⚠ ПРЕДУПРЕЖДЕНИЕ: При установке и снятии картриджа аккумуляторной батареи надежно удерживайте насос и картридж аккумуляторной батареи. Если насос и картридж аккумуляторной батареи плохо удерживаются, они могут выскользнуть из рук, что может привести к повреждению насоса и картриджа аккумуляторной батареи и травме.

► Рис. 2:

1. Индикатор красного цвета
2. Кнопка
3. Картридж аккумуляторной батареи

Чтобы снять картридж аккумуляторной батареи выдвиньте его из насоса, одновременно сдвигая кнопку на передней части картриджа.

Чтобы установить картридж аккумуляторной батареи, совместите язычок картриджа аккумуляторной батареи с пазом в корпусе и задвиньте картридж на место. Вставьте картридж до его фиксации со щелчком. Если на верхней поверхности кнопки виден индикатор красного цвета, картридж не зафиксирован полностью.

⚠ ПРЕДУПРЕЖДЕНИЕ: Обязательно полностью устанавливайте картридж аккумуляторной батареи, чтобы индикатор красного цвета не был виден. В противном случае он может случайно выпасть из насоса и привести к травме пользователя или окружающих.

⚠ ПРЕДУПРЕЖДЕНИЕ: Не прилагайте силу при установке картриджа аккумуляторной батареи. Если картридж не задвигается с применением незначительного усилия, он был вставлен неправильно.

Система защиты аккумуляторной батареи

► Рис. 3:

1. Маркировка в виде звезды

Насос оборудован системой защиты аккумуляторной батареи. Эта система автоматически отключает питание двигателя с целью увеличения срока службы аккумуляторной батареи.

Насос автоматически остановится, если насос и/или аккумуляторная батарея находятся в одном из следующих состояний:

Перегрузка:

Насос используется таким образом, что он потребляет аномально высокий ток.

В этом случае выключите насос и не используйте функцию, которая вызывает перегрузку насоса. После этого включите насос, чтобы повторного его запустить.

Если насос не включается, аккумуляторная батарея перегрелась.

В этом случае перед повторным включением насоса дайте аккумуляторной батарее остыть.

Низкое напряжение аккумуляторной батареи:

Оставшийся заряд аккумуляторной батареи слишком низкий, и насос работать не будет. В этом случае снимите и перезарядите аккумуляторную батарею.

ПРИМЕЧАНИЕ: Защита от перегрева доступна только для картриджной аккумуляторной батареи с маркировкой в виде звезды.

Индикация оставшегося заряда аккумуляторной батареи

Только для картриджной аккумуляторных батарей, номер модели которых заканчивается на "В"

► Рис. 4:

1. Индикаторы
2. Кнопка контроля

Нажмите кнопку контроля на картридже аккумуляторной батареи, чтобы определить оставшийся заряд аккумуляторной батареи. Индикаторы загораются на несколько секунд.

Индикаторы			Оставшийся заряд
Горит	Не горит	Мигает	
■	■	■	от 75 до 100 %
■	■	□	от 50 до 75 %
■	□	□	от 25 до 50 %
■	□	□	от 0 до 25 %
▣	□	□	Зарядите аккумуляторную батарею.
■	■	□	Аккумуляторная батарея, возможно, неисправна.
□	□	■	

ПРИМЕЧАНИЕ: В зависимости от условий использования и температуры окружающей среды индикация может незначительно отличаться от фактического уровня заряда.

ЭКСПЛУАТАЦИЯ

При покупке насос не содержит масла.

Информация по заливке масла приведена в разделе "Заливка масла".

⚠ ПРЕДОСТЕРЕЖЕНИЕ: Эксплуатация насоса без заливки масла приведет к его повреждению. Кроме того, масляный бак нагреется и может вызвать ожоги или несчастные случаи.

Заливка масла

► Рис. 5:

1. Крышка
 2. Линия уровня
 3. Смотровое стекло горловины/сапун
 4. Масляный бак
1. Снимите крышку маслозаливной горловины/сапун и залейте поставляемое масло в заливную горловину.

ЗАМЕЧАНИЕ: Для поддержания производительности насоса на должном уровне всегда используйте оригинальное масло Makita.

2. Залейте масло так, чтобы его уровень находился между верхней и нижней линиями на смотровом стекле.

ЗАМЕЧАНИЕ: Уровень масла играет важную роль. Эксплуатация насоса в состоянии, когда уровень масла находится не между верхней и нижней линиями уровня, может привести к неисправности.

Проверка работоспособности

► Рис. 6:

1. Вход
 2. Вентиль на стороне низкого давления
 3. Вакуумный насос
 4. Коллектор
1. Соедините вентиль на стороне низкого давления коллектора и всасывающее отверстие насоса зарядным шлангом.
2. Закройте вентиль на стороне низкого давления коллектора.
3. Откройте впускной запорный вентиль.
4. Откройте впускной вентиль.
5. Включите насос. Если спустя не более 30 секунд в коллекторе будет создан вакуум от -0,09 до -0,1 МПа, насос работает нормально.
6. Выключите насос.

Эксплуатация

► Рис. 7:

1. Вакуумный насос
 2. Впускной запорный вентиль
 3. Зарядный шланг (желтый)
 4. Коллектор
 5. Вентиль на стороне низкого давления
 6. Манометр на стороне всасывания
 7. Вентиль на стороне высокого давления
 8. Зарядный шланг (синий)
 9. Сервисное отверстие (на стороне низкого давления)
 10. Наружный блок
1. Соедините насос, коллектор и наружный блок шлангами.

ПРИМЕЧАНИЕ: Если диаметр сервисного отверстия на блоке составляет 1/4 дюйма, используйте поставляемый переходник на другой диаметр.

2. Убедитесь, что вентили на стороне высокого давления и на стороне низкого давления коллектора закрыты.
3. Установите аккумуляторную батарею в насос. (Информация о порядке установки приведена в разделе "Установка и снятие картриджа аккумуляторной батареи".)
4. Включите насос. Светодиодный индикатор (зеленый) загорится.
5. Откройте впускной запорный вентиль и вентиль на стороне низкого давления коллектора.

▲ПРЕДОСТЕРЕЖЕНИЕ: Насос имеет высокую температуру во время работы и непосредственно после остановки. Не прикасайтесь к насосу, когда он горячий. Это может привести к ожогам и несчастным случаям.

ПРИМЕЧАНИЕ: Двигатель может не работать при низких температурах (5 °C или ниже). В этих случаях перенесите на насос в помещение и дайте ему прогреться.

6. По достижению необходимого вакуума (см. руководство, предоставляемое изготовителем кондиционера воздуха) закройте вентиль на стороне низкого давления коллектора.
7. Закройте впускной запорный вентиль и выключите насос.

Проверка герметичности

Утечки отсутствуют, если давление в коллекторе не поднимается в течение 5 минут или более после выключения насоса.

ПРИМЕЧАНИЕ: При низком оставшемся заряде аккумуляторной батареи светодиодный индикатор выключается и в то же время включается длинный предупредительный звуковой сигнал. Двигатель останавливается через две минуты. После этого предупредительный звуковой сигнал меняется на звуковой сигнал с коротким интервалом, который указывает, что двигатель останавливается, а через 30 секунд звуковой сигнал выключается. Тем не менее, не ждите остановки двигателя (или включения предупредительного сигнала с коротким интервалом). Заранее закройте впускной вентиль насоса и вентиль на стороне низкого давления коллектора.

Убедитесь, что насос выключен, снимите аккумуляторную батарею и зарядите и замените ее запасной аккумуляторной батареей.

- Время работы от аккумуляторной батареи приведено в таблице ниже.

Время работы (приблизительное)

Аккумуляторная батарея	Время работы
BL1860B	75 мин
BL1850 / BL1850B	50 мин
BL1840 / BL1840B	40 мин
BL1830 / BL1830B	30 мин

- После завершения работ снимите аккумуляторную батарею и установите поставляемую крышку.

ЗАМЕЧАНИЕ: При транспортировке, эксплуатации и хранении насоса не кладите его на бок или в перевернутом положении. Это может привести к утечке масла через крышку маслозаливной горловины/сапун.

ПРИМЕЧАНИЕ: Залейте масло так, чтобы его уровень находился между верхней и нижней линиями на смотровом стекле.

Транспортировка и хранение

- Для предотвращения повреждения контейнера перед отправкой обязательно сливайте из вакуумного насоса все жидкости.
- Для предотвращения попадания пыли в насос обязательно закрывайте всасывающее отверстие крышкой.
- Убедитесь, что насос транспортируется в горизонтальном положении.
- Насос должен храниться внутри помещения с температурой от 5 до 40 °С.

ТЕХНИЧЕСКОЕ ОБСЛУЖИВАНИЕ

⚠ ПРЕДУПРЕЖДЕНИЕ: Перед проведением осмотра или технического обслуживания обязательно убедитесь, что насос выключен и картридж аккумуляторной батареи снят.

ЗАМЕЧАНИЕ: Не используйте бензин, бензин-растворитель, растворитель, спирт и другие аналогичные вещества. Это может привести к изменению цвета, деформации и образованию трещин.

Для обеспечения БЕЗОПАСНОСТИ и НАДЕЖНОСТИ устройства ремонт и другие работы по техническому обслуживанию и регулировке должны проводиться в уполномоченных или заводских центрах обслуживания Makita и с использованием запасных частей Makita.

Остановите насос:

Для увеличения срока службы насоса и облегчения его запуска необходимо следовать приведенному ниже порядку выключения насоса.

1. Закройте вентиль коллектора между насосом и системой.
2. Отсоедините шланг от всасывающего отверстия насоса.

Закройте всасывающее отверстие, чтобы предотвратить попадание в него загрязнений и посторонних частиц.

Проверка масла

► Рис. 8:

1. Линия уровня
 2. Смотровое стекло
- Перед использованием насоса обязательно проверяйте уровень и состояние масла (старение и т. д.).

Замена масла

► Рис. 9:

1. Впускной запорный вентиль
 2. Сливная пробка
1. Откройте впускной запорный вентиль.
 2. Включите насос на 1–2 минуты, чтобы прогреть масло.
 3. Выключите насос.
 4. Снимите сливную пробку и слейте масло.
 5. Залейте новое масло в соответствии с указаниями раздела “Заливка масла”.
- Утилизируйте использованное масло в соответствии с местным законодательством.

ПРИМЕЧАНИЕ: Для защиты компонентов насоса от загрязнений, попавших внутрь насоса, масло рекомендуется менять после 20 часов работы.

В случае вакуумирования холодильных систем с большой наработкой меняйте масло после каждого использования.

Масло для вакуумного насоса:

Состояние и тип масла, используемого в любом высокопроизводительном вакуумном насосе, оказывает очень большое влияние на достижимое предельное остаточное давление. Рекомендуется использовать высокоэффективное масло для вакуумных насосов, специально разработанное для поддержания максимальной вязкости при нормальных температурах и облегчения запуска в холодную погоду.

Очистка насоса

1. Если масло сильно загрязнено, замените его и включите насос на 3–5 минут.
2. Слейте масло и залейте новое масло. Если слитое масло загрязнено, повторите процесс очистки два или три раза.

Поиск и устранение неисправностей

Условие	Возможная причина	Решение
Насос не запускается.	<ol style="list-style-type: none"> 1. Аккумуляторная батарея установлена неправильно. 2. Температура окружающей среды слишком низкая. 3. Плохое соединение проводов. 4. Насос заклинил. 5. Отказ двигателя. 	<ol style="list-style-type: none"> 1. Правильно установите аккумуляторную батарею. 2. Подогрейте насос в помещении. 3. Выполните ремонт. 4. Выполните ремонт. 5. Выполните ремонт.
Насос не создает необходимый вакуум.	<ol style="list-style-type: none"> 1. Утечка из системы. 2. Недостаточно масла. 3. Масло загрязнено. 4. Детали насоса изношены. 5. Повреждены фитинги, прокладки и уплотнение. 6. Отказ двигателя. 	<ol style="list-style-type: none"> 1. Выполните ремонт системы. 2. Долейте или замените масло. 3. Очистите бак и замените масло. 4. Выполните ремонт. 5. Выполните ремонт. 6. Выполните ремонт.
Утечка масла.	<ol style="list-style-type: none"> 1. Повреждены прокладки и уплотнения вала. 2. Повреждено уплотнительное кольцо сливной пробки. 3. Пробка для слива масла не затянута. 	<ol style="list-style-type: none"> 1. Выполните ремонт. 2. Замените уплотнительное кольцо. 3. Затяните пробку для слива масла.
Аномальный шум.	<ol style="list-style-type: none"> 1. Отказ двигателя. 2. Поломка подшипника. 3. Ослабленные болты. 4. Неисправность насоса. 5. Всасывается воздух. 	<ol style="list-style-type: none"> 1. Выполните ремонт. 2. Выполните ремонт. 3. Затяните болты. 4. Выполните ремонт. 5. Затяните крышки и соединения. Замените прокладки и уплотнительные кольца. Замените фитинги или уплотните их.

Примечание: Если описанные процедуры не устранят проблему, обратитесь к ближайшему авторизованному дистрибьютору Makita или отправьте насос в центр обслуживания.

ДОПОЛНИТЕЛЬНЫЕ ПРИНАДЛЕЖНОСТИ

⚠ ПРЕДУПРЕЖДЕНИЕ: Эти принадлежности или насадки рекомендуется использовать с описанным в настоящей инструкции инструментом Makita. Использование любых других принадлежностей или насадок могут представлять риск получения травм. Используйте принадлежности и насадки только по назначению.

Если вам нужна дополнительная информация по этим принадлежностям, свяжитесь с местным центром обслуживания Makita.

- Оригинальные аккумуляторные батареи и зарядные устройства Makita
- Масло для вакуумного насоса 150 мл
- Алюминиевый кожух для вакуумного насоса
- Шланг для вакуумного насоса
- Вентиль с манометром для вакуумного насоса

ПРИМЕЧАНИЕ: Отдельные перечисленные компоненты могут входить в стандартную комплектацию инструмента. Комплектации могут отличаться в зависимости от страны.

Makita Europe N.V. Jan-Baptist Vinkstraat 2,
3070 Kortenberg, Belgium

Makita Corporation 3-11-8, Sumiyoshi-cho,
Anjo, Aichi 446-8502 Japan

www.makita.com

DVP180-SE8L-1606
EN, SV, NO, FI, LV,
LT, ET, RU
20150824