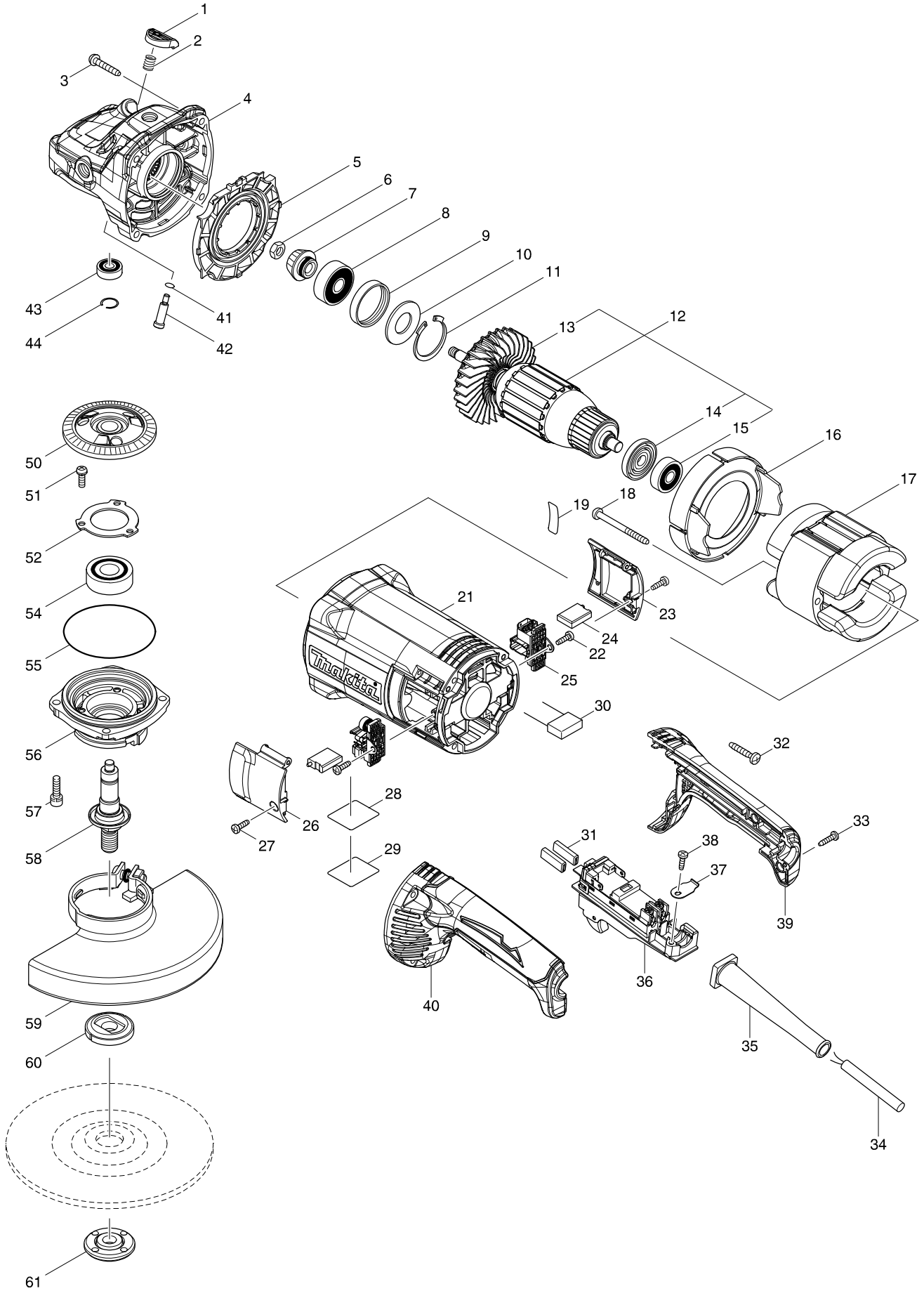


Model No. GA7060 180MM ANGLE GRINDER



Model No. GA7060 180MM ANGLE GRINDER

Item	Parts No.	Description	I/C	QTY	N/O	Opt. 1	Opt. 2	NOTE
001	456247-8	PIN CAP		1				
002	234391-9	COMPRESSION SPRING 8		1				
003	251489-7	TAPPING SCREW 5X30		4				
004	143485-8	GEAR HOUSING COMPLETE		1				
C10	263002-9	RUBBER PIN 4		1	100			
005	456238-9	DIFFUSER		1				
006	252194-9	HEX. NUT M8		1	100			
007	227655-8	SPIRAL BEVEL GEAR 17		1				
008	211132-0	BALL BEARING 6301DDW		1	100			
009	262085-6	RUBBER RING 38		1	100			
010	267299-2	FLAT WASHER 20		1	100			
011	962211-4	RETAINING RING R-42		1	100			
D10		INC. 13-15						
012A	513446-6	ARMATURE ASS'Y 115V		1				
012B	513449-0	ARMATURE ASS'Y 240V		1				
013	240161-6	FAN 86		1				
014	681630-2	INSULATION WASHER		1	100			
015	211087-9	BALL BEARING 6200DDW		1	100			
016	456239-7	BAFFLE PLATE		1				
017A	621776-2	FIELD 115V		1				
017B	621779-6	FIELD 240V		1				
018	266044-2	TAPPING SCREW 5X60		2	100			
019	851U59-4	GA7060 SERIAL NO. LABEL		1				
021	456240-2	MOTOR HOUSING		1				
022	266192-7	TAPPING SCREW 4X14		2	100			
023	143950-7	BRUSH HOLDER COVER R COMPLETE		1	*			
023-1	456246-0	BRUSH HOLDER COVER R	>	1				
024	197129-2	CARBON BRUSH CB-218		1				
025	643714-4	BRUSH HOLDER		2	*			
025-1	643715-2	BRUSH HOLDER	<	2				
026	143949-2	BRUSH HOLDER COVER L COMPLETE		1	*			
026-1	456245-2	BRUSH HOLDER COVER L	>	1				
027	266192-7	TAPPING SCREW 4X14		2	100			
028	851U55-2	GA7060 NAME PLATE		1				
029	809R72-8	CLEAR LABEL		1				
030	645088-9	NOISE SUPPRESSOR		1	100			
031	686036-9	RECEPTACLE SLEEVE		2	100			
032	251489-7	TAPPING SCREW 5X30		4				
033	265995-6	TAPPING SCREW 4X18		2	100			
034A	665550-8	POWER SUPPLY CORD 2.5-2-2.5		1	100			
034B	692607-2	POWER SUPPLY CORD 1.5-2-2.5		1				
035A	682581-2	CORD GUARD		1				
035B	682573-1	CORD GUARD 10		1	100			
036	632F75-3	SWITCH UNIT		1				
037A	687678-2	STRAIN RELIEF		1	100			
037B	687169-3	STRAIN RELIEF		1	100			
038	266192-7	TAPPING SCREW 4X14		1	100			
039	183C63-0	HANDLE SET		1				

