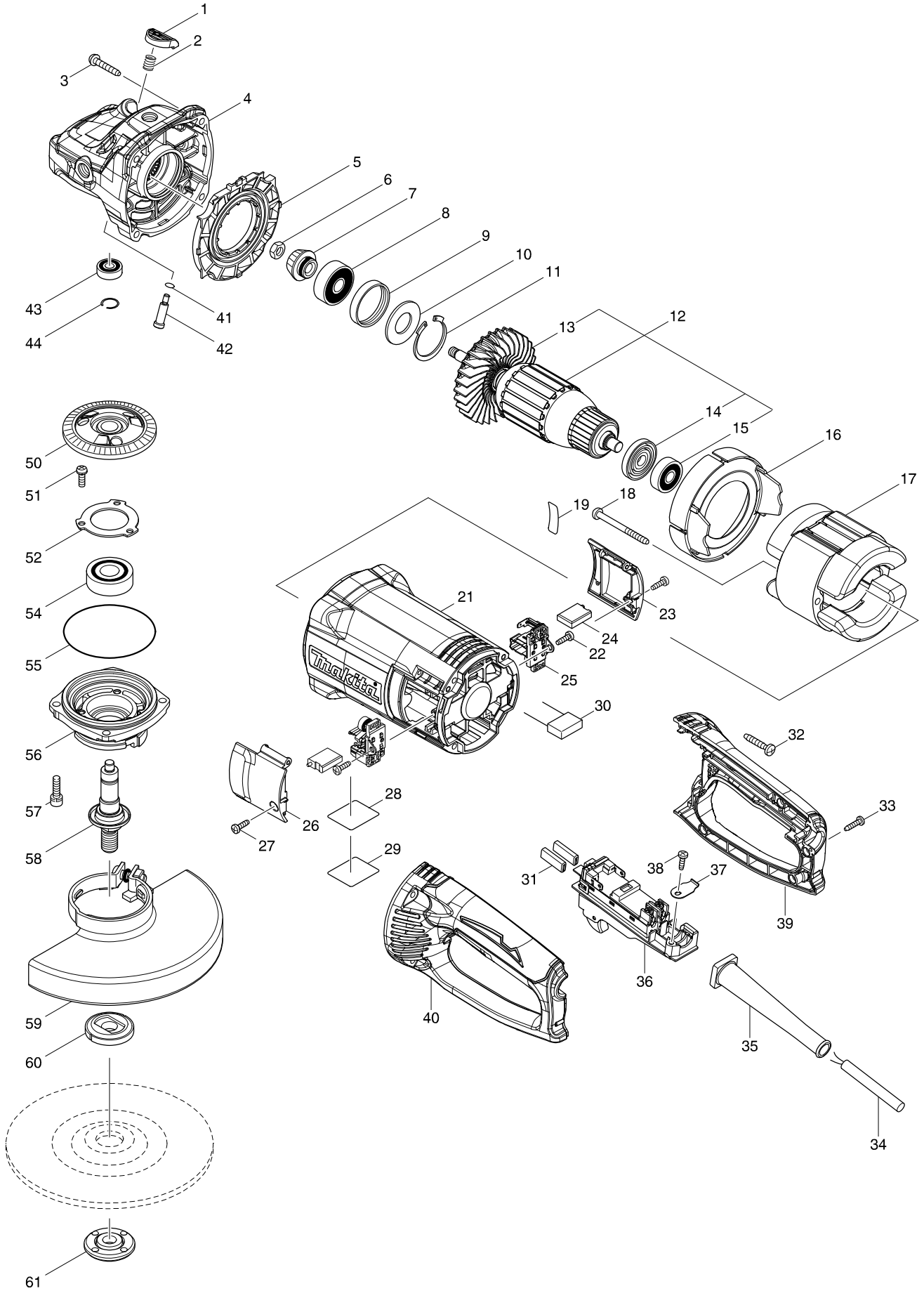


# Model No. GA7062 180MM ANGLE GRINDER



# Model No. GA7062 180MM ANGLE GRINDER

Item	Parts No.	Description	I/C	QTY	N/O	Opt. 1	Opt. 2	NOTE
001	456247-8	PIN CAP		1				
002	234391-9	COMPRESSION SPRING 8		1				
003	251489-7	TAPPING SCREW 5X30		4				
004	143485-8	GEAR HOUSING COMPLETE		1				
C10	263002-9	RUBBER PIN 4		1	100			
005	456238-9	DIFFUSER		1				
006	252194-9	HEX. NUT M8		1	100			
007	227655-8	SPIRAL BEVEL GEAR 17		1				
008	211132-0	BALL BEARING 6301DDW		1	100			
009	262085-6	RUBBER RING 38		1	100			
010	267299-2	FLAT WASHER 20		1	100			
011	962211-4	RETAINING RING R-42		1	100			
D10		INC. 13-15						
012A	513446-6	ARMATURE ASS'Y 115V		1				
012B	513449-0	ARMATURE ASS'Y 240V		1				
013	240161-6	FAN 86		1				
014	681630-2	INSULATION WASHER		1	100			
015	211087-9	BALL BEARING 6200DDW		1	100			
016	456239-7	BAFFLE PLATE		1				
017A	621776-2	FIELD 115V		1				
017B	621779-6	FIELD 240V		1				
018	266044-2	TAPPING SCREW 5X60		2	100			
019	853C82-7	GA7062 SERIAL NO. LABEL		1				
021	456240-2	MOTOR HOUSING		1				
022	266192-7	TAPPING SCREW 4X14		2	100			
023	456246-0	BRUSH HOLDER COVER R		1				
024	197129-2	CARBON BRUSH CB-218		1				
025	643715-2	BRUSH HOLDER		2				
026	456245-2	BRUSH HOLDER COVER L		1				
027	266192-7	TAPPING SCREW 4X14		2	100			
028	853C80-1	GA7062 NAME PLATE		1				
029	809R72-8	CLEAR LABEL		1				
030	645088-9	NOISE SUPPRESSOR		1	100			
031	686036-9	RECEPTACLE SLEEVE		2	100			
032	251489-7	TAPPING SCREW 5X30		4				
033	265995-6	TAPPING SCREW 4X18		4	100			
034A	665550-8	POWER SUPPLY CORD 2.5-2-2.5		1	100			
034B	692607-2	POWER SUPPLY CORD 1.5-2-2.5		1				
035A	682581-2	CORD GUARD		1				
035B	682573-1	CORD GUARD 10		1	100			
036	632F75-3	SWITCH UNIT		1				
037A	687678-2	STRAIN RELIEF		1	100			
037B	687169-3	STRAIN RELIEF		1	100			
038	266192-7	TAPPING SCREW 4X14		1	100			
039	183G26-0	HANDLE SET		1				
D10		INC. 40						
040	183G26-0	HANDLE SET		1				
D10		INC. 39						

**Model No. GA7062 180MM ANGLE GRINDER**

Item	Parts No.	Description	I/C	QTY	N/O	Opt. 1	Opt. 2	NOTE
041	213026-5	O RING 7		1	100			
042	256571-7	SHOULDER PIN 7		1				
043	211032-4	BALL BEARING 608ZZ		1	100			
044	233925-5	RING SPRING 13		1	100			
050	227656-6	SPIRAL BEVEL GEAR 55		1				
051	265120-9	PAN HEAD SCREW M5X16		3	100			
052	285741-1	BEARING RETAINER 50		1				
054	211278-2	BALL BEARING 6203DDW		1	100			
055	213760-7	O RING 78		1	100			
056	319351-3	BEARING BOX		1				
057	265541-5	HEX. SOCKET HEAD BOLT M6X22		4	100			
058	143484-0	SPINDLE COMPLETE		1				
059	122889-7	WHEEL COVER 180K ASSEMBLY		1	100			
C10	213017-6	O RING 6		1	100			
C20	265198-2	+PAN HEAD SCREW M8X25		1	100			
060	224415-9	INNER FLANGE 42		1	100			
061	224485-8	LOCK NUT 14-45		1				
A01	143486-6	GRIP 37 COMPLETE		1				
A02	197610-3	LOCK NUT WRENCH 35 SET		1				