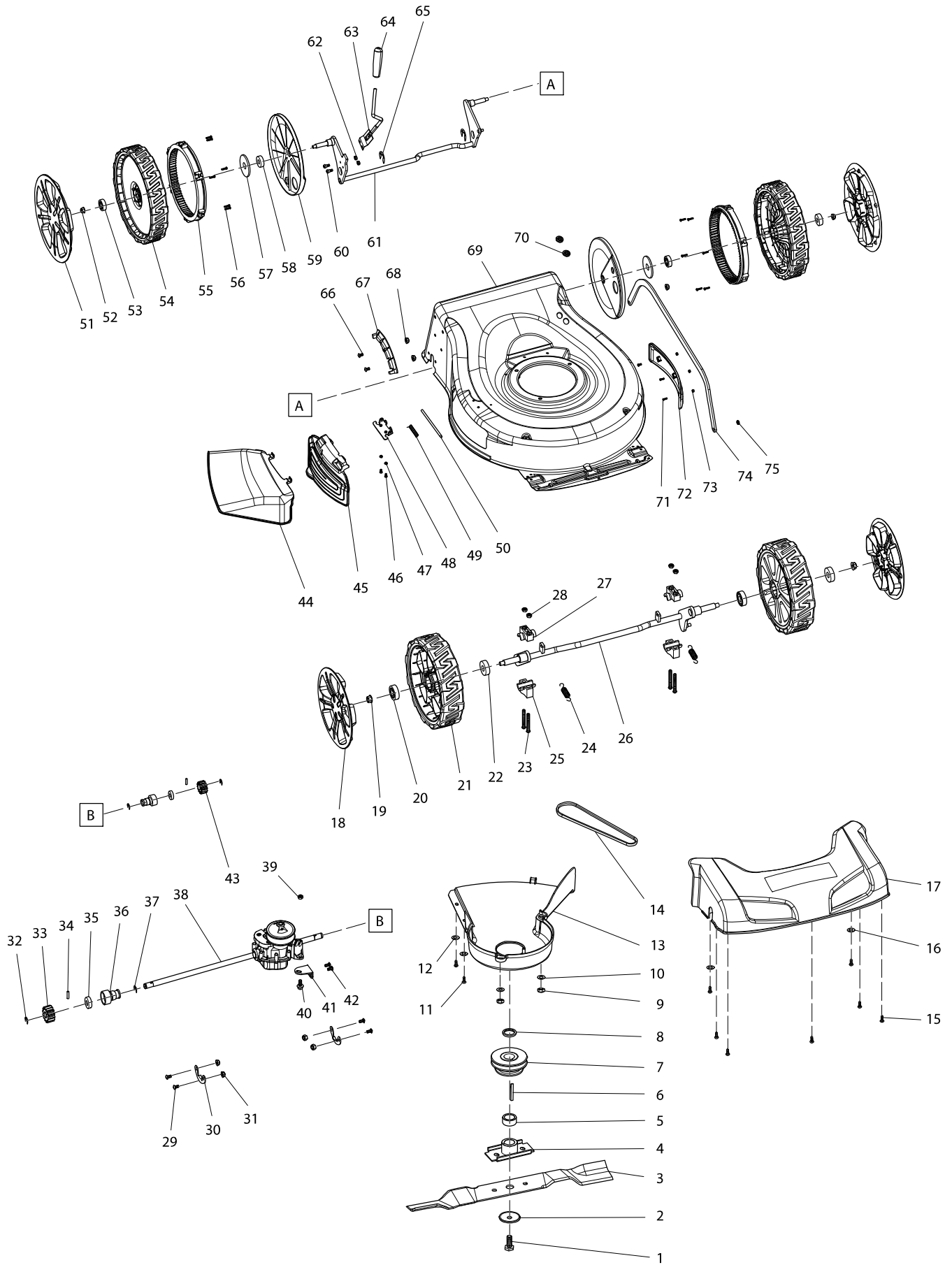
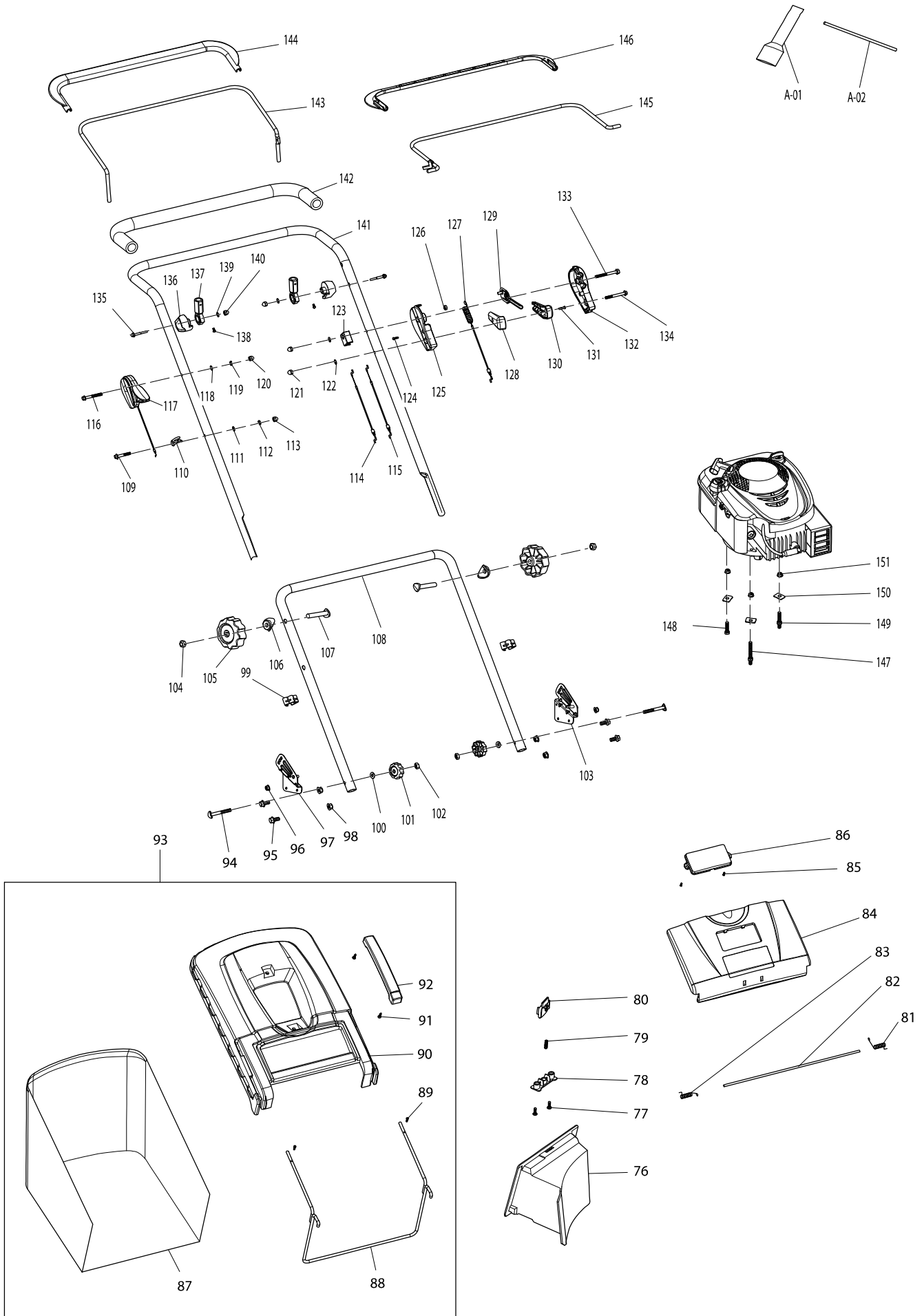


Model No. PLM5600N PETROL LAWN MOWER



Model No. PLM5600N PETROL LAWN MOWER



Model No. PLM5600N PETROL LAWN MOWER

Item	Parts No.	Description	I/C	QTY	N/O	Opt. 1	Opt. 2	NOTE
001	DA00000528	BLADE TIGHTEN BOLT		1				
002	671010730	LID SHAPE WASHER		1				
003	671002532	BLADE 560MM		1				
004	DA00000857	BLADE SUPPORT		1				
005	671002093	BLADE SLEEVE		1				
006	DA00000535	FLAT KEY		1				
007	671004019	DRIVING BELT WHEEL		1				
008	671002351	FLAT WASHER		1				
009	671005008	HEXAGON LOCKING NUT		2				
010	671007007	FLAT WASHER M8		2				
011	671001037	SELF-TAPPING SCREW ST5X16		2				
012	671008011	OUTER GEAR LOCKING WASHER		2				
013	671560001	BELT PROTECTING COVER		1				
014	671002065	TRIANGLE BELT		1				
015	671001037	SELF-TAPPING SCREW ST5X16		7				
016	671007004	WASHER		2				
017	671825001	FRONT DECORATIVE COVER		1				
018	DA00000536	WHEEL COVER		2				
019	DA00000537	HEXAGON FLANGE LOCK NUT		2				
020	DA00000538	BEARING		2				
021	671020160	"8" WHEEL ASS'Y"		2				
022	DA00000538	BEARING		2				
023	671006002	HEXAGON BOLT M6X65		4				
024	671011087	EXTENSION SPRING		2				
025	671076001	WHEEL AXLE FIXING PLATE		2				
026	671002295	FRONT WHEEL AXLE ASS'Y		1				
027	671445001	BRACKET PRESSING BOARD		2				
028	DA00000549	HEXAGON LOCK NUT		4				
029	671002019	TRIGGER SCREW		4				
030	DA00000542	FIXING RING FOR WHEEL AXIS		2				
031	DA00000543	ALL METAL HEXAGON FLANGE LOCK		4				
032	DA00000604	OPEN BLOCK RING		2				
033	DA00000607	RIGHT OUTPUT GEAR ASS'Y		1				
034	DA00000597	COLUMN PIN		2				
035	DA00000609	BEARING		2				
036	DA00000610	BEARING SHEATH		2				
037	DA00000604	OPEN BLOCK RING		2				
038	671502027	GEAR BOX		1				
039	DA00000549	HEXAGON LOCK NUT		1				
040	671006181	FIXED BOLT M6X17		1				
041	671002297	POSITION FIXING PLATE		1				
042	DA00000553	HEXAGON FLANGE BOLT		2				
043	DA00000605	LEFT OUTPUT GEAR ASS'Y		1				
044	671065001	SIDE DISCHARGE PROTECTING COVER		1				
045	671406001	SIDE DISCHARGE COVER BOARD		1				
046	671002010	SCREW M5X12		2				
047	671080040	SPRING WASHER M5		2				
048	671021830	FIXED BOARD OF SIDE DISCHARGE		1				

Model No. PLM5600N PETROL LAWN MOWER

Item	Parts No.	Description	I/C	QTY	N/O	Opt. 1	Opt. 2	NOTE
049	671111300	SPRING OF SIDE DISCHARGE COVER		1				
050	671001019	POSITION FIXING AXLE OF SIDE		1				
051	671001322	11 WHEEL COVER		2				
052	DA00000537	HEXAGON FLANGE LOCK NUT		2				
053	DA00000538	BEARING		2				
054	671002021	11 WHEEL ASS'Y		2				
055	671200010	WHEEL GEAR RING		2				
056	DA00000603	SELF-TAPPING SCREW		12				
057	671007065	WASHER		2				
058	DA00000538	BEARING		2				
059	671251800	DUST-PROOF WHEEL COVER		2				
060	671002030	CROSS HEAD SCREW M6X14		2				
061	671002296	REAR WHEEL AXLE ASS'Y		1				
062	DA00000549	HEXAGON LOCK NUT		2				
063	DA00000879	HANDLE ASS'Y		1				
064	671255002	HANDLE SHEATH		1				
065	DA00000612	OPEN BLOCK RING		2				
066	671002019	TRIGGER SCREW		2				
067	DA00000791	HEIGHT ADJUSTMENT PLATE		1				
068	DA00000543	ALL METAL HEXAGON FLANGE LOCK		2				
069	671001690	DECK(MAKITA BLUE)		1				
070	671800104	CABLE PROTECTING SHEATH		2				
071	671006085	SCREW M4X10		3				
072	DA00000878	ANTI-COLLISION PLATE		1				
073	671005014	HEXAGON LOCKING NUT M4		3				
074	671002292	LINK ROD		1				
075	DA00000549	HEXAGON LOCK NUT		2				
076	671315001	MULCHING KIT		1				
077	DA00000603	SELF-TAPPING SCREW		2				
078	671317001	PRESSING BOARD OF LOCKING		1				
079	671011005	SPRING		1				
080	671316004	LOCKING BUTTON OF MULCHING KIT		1				
081	671011229	RIGHT SPRING		1				
082	671001484	LONG POLE		1				
083	671011228	LEFT SPRING		1				
084	671004613	REAR FLAP		1				
085	671010710	SELF-TAPPING SCREW ST4X12		2				
086	671385001	TRANSPARENT WINDOW OF REAR		1				
087	671137909	GRASS CATCHER(MAKITA LOGO)		1				
088	671001382	GRASS CATCHER BRACKET		1				
089	671001032	SELF-TAPPING SCREW ST4.2X18		2				
090	671409001	GRASS BOX		1				
091	671001037	SELF-TAPPING SCREW ST5X16		2				
092	671384001	GRASS CATCHER HANDLE		1				
093	DA00000882	GRASS CATCHER ASSEMBLY(MAKITA)		1				
094	DA00000880	FLAT HEAD BOLT M8*35		2				
095	DA00000562	HEXAGON FLANGE BOLT		4				
096	DA00000543	ALL METAL HEXAGON FLANGE LOCK		2				

Model No. PLM5600N PETROL LAWN MOWER

Item	Parts No.	Description	I/C	QTY	N/O	Opt. 1	Opt. 2	NOTE
097	671018280	RIGHT HANDLE BRACKET		1				
098	DA00000537	HEXAGON FLANGE LOCK NUT		4				
099	DA00000881	CABLE CLAMP		2				
100	671007007	FLAT WASHER M8		2				
101	DA00000564	KNOB		2				
102	DA00000563	HEXAGON NUT		2				
103	671018260	LEFT HANDLE BRACKET		1				
104	DA00000563	HEXAGON NUT		2				
105	DA00000564	KNOB		2				
106	DA00000565	CURVED WASHER		2				
107	DA00000569	FLAT HEAD BOLT		2				
108	671001869	LOWER HANDLE POLE		1				
109	DA00000577	HEXAGON FLANGE BOLT		1				
110	DA00000579	CABLE HOOK		1				
111	DA00000574	FLAT WASHER		1				
112	DA00000864	SPRING WASHER M6		1				
113	DA00000575	LID SHAPE NUT M6		1				
114	671001242	DRIVING CORD ASS'Y		1				
115	671001241	FRAMEOUT CORD ASS'Y		1				
116	671006082	HEXAGON FLANGE BOLT M6X50		1				
117	671106202	THROTTLE HANDLE ASS'Y		1				
118	DA00000574	FLAT WASHER		1				
119	DA00000864	SPRING WASHER M6		1				
120	DA00000575	LID SHAPE NUT M6		1				
121	DA00000575	LID SHAPE NUT M6		2				
122	DA00000574	FLAT WASHER		2				
123	DA00000573	CABLE FIXING PLATE		1				
124	DA00000826	SELF-DRIVING SCREW ST4*12		1				
125	671827001	SPEED CONTROL BOX UPPER COVER		1				
126	DA00000549	HEXAGON LOCK NUT		1				
127	671001243	VARIABLE SPEED CONTROL CORD		1				
128	DA00000870	VARIABLE SPEED ADJUSTMENT HAN		1				
129	671002279	VARIABLE SPEED ADJUSTMENT HAN		1				
130	DA00000869	VARIABLE SPEED ADJUSTMENT HAN		1				
131	DA00000873	TAPPING SCREW ST4.2X15		1				
132	671828001	SPEED CONTROL BOX LOWER COVER		1				
133	DA00000572	HEXAGON FLANGE BOLT		1				
134	671006082	HEXAGON FLANGE BOLT M6X50		1				
135	671006029	HEXAGON FLANGE BOLT M6X45		2				
136	671990001	POSITION FIXING SUPPORT		2				
137	671989001	PULLING POLE HANGING BOARD		2				
138	671002025	SCREW M4X8		2				
139	671007070	FLAT WASHER M6		2				
140	DA00000575	LID SHAPE NUT M6		2				
141	671001868	UPPER HANDLE POLE		1				
142	DA00000580	HANDLE SHEATH		1				
143	671002293	FRAMEOUT PULLING POLE		1				
144	671020120	FRAMEOUT PULLING POLE BUCKLE		1				

Item	Parts No.	Description	I/C	QTY	N/O	Opt. 1	Opt. 2	NOTE
145	671002294	DRIVING PULLING POLE		1				
146	671020110	DRIVING PULLING POLE BUCKLE		1				
147	671003024	BOLT M8X60		1				
148	DA00000586	HEXAGON BOLT		1				
149	DA00000617	SPECIAL BOLT		1				
150	DA00000582	SQUARE WASHER		3				
151	DA00000537	HEXAGON FLANGE LOCK NUT		3				
A01	671001078	SPANNER 21		1				
A02	DA00000584	WRENCH POLE		1				