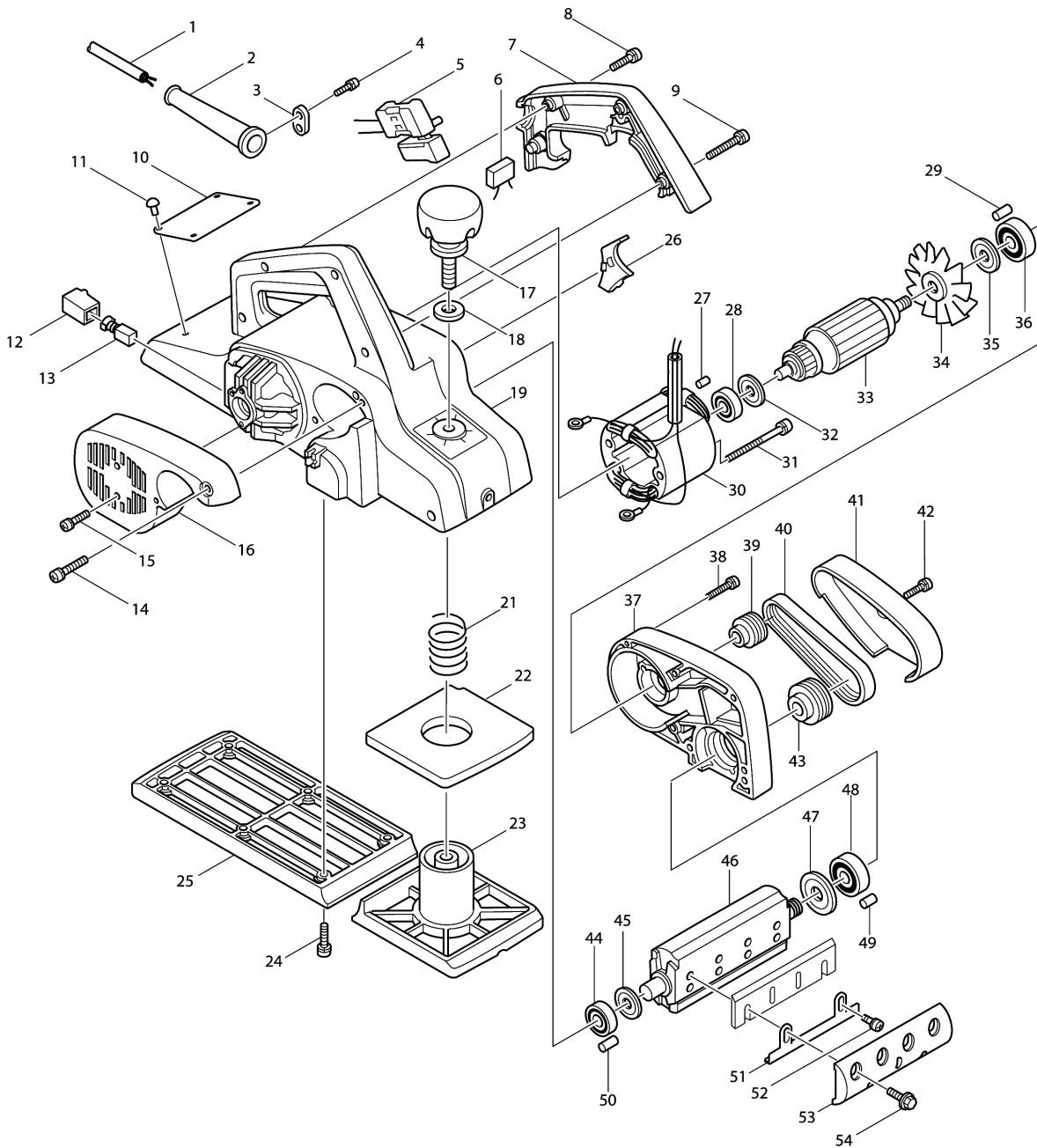


Model No.1911B POWER PLANER 110MM



Model No.1911B POWER PLANER 110MM

Item	Parts No.	Description	I/C	Qty	New/Old	Opt. 1	Opt. 2	Note
001P1	665883-1	POWER SUPPLY CORD 1.0-2-5.0		1				
002B_	682516-3	CORD GUARD 9.3-85		1	*			
002B1	682504-0	CORD GUARD 10-85	O	1				
003F_A	687063-9	CORD CLAMP		1	*			
003F1A	687052-4	STRAIN RELIEF	X	1				
003F1B	687052-4	STRAIN RELIEF		1				
004-1	911133-5	PAN HEAD SCREW M4X18		2				
005I_A	651236-0	SWITCH C2M-M1T		1	*			
005I1A	651252-2	SWITCH SGES215C	X	1				
005I1B	651252-2	SWITCH SGES215C		1				
006C1	645200-1	NOISE SUPPRESSOR		1				
007B1A	414273-3	HANDLE COVER		1	*			
007B2A	411423-1	HANDLE COVER	X	1				
007B2B	411423-1	HANDLE COVER		1				
008A	911168-6	PAN HEAD SCREW M4X40		1	*			
008-1A	911153-9	PAN HEAD SCREW M4X28	X	3				
008-1B	911153-9	PAN HEAD SCREW M4X28		3				
009-1A	911153-9	PAN HEAD SCREW M4X28		3	*			
009-2A	911168-6	PAN HEAD SCREW M4X40	X	1				
009-2B	911168-6	PAN HEAD SCREW M4X40		1				
010A	815099-0	NAME PLATE 1911B		1	*			
010-1A	853285-5	NAME PLATE	<	1				
010-1B	853285-5	NAME PLATE		1				
011A	953106-2	RIVET 0-5		4	*			
012	643601-7	BRUSH HOLDER 6-10		2				
013-1	181410-1	CARBON BRUSH CB-106		1	*			
013-2	194976-2	CARBON BRUSH SET CB-106	O	1				
014A_	911188-0	PAN HEAD SCREW M4X60		1				
015A_	911113-1	PAN HEAD SCREW M4X10 WITH WR		2				
016B_A	155710-5	REAR COVER COMPLETE		1	*			
C10	817768-9	CAUTION LABEL		1	*			
016B1A	410438-5	REAR COVER	X	1				
016B1B	410438-5	REAR COVER		1				
017	271226-3	KNOB 50		1				
018	941251-5	FLAT WASHER 10		1				
019D_A	159652-5	FRAME COMPLETE		1	*			
C10	816406-0	SCALE PLATE		1	*			
C20	953106-2	RIVET 0-5		4	*			
D10		INC. 27,50			*			
019D1A	159652-5	FRAME COMPLETE	O	1				
C10	816381-0	SCALE LABEL		1				

Model No.1911B POWER PLANER 110MM

Item	Parts No.	Description	I/C	Qty	New/Old	Opt. 1	Opt. 2	Note
019D1B	159652-5	FRAME COMPLETE		1				
C10	816381-0	SCALE LABEL		1				
021	231004-3	COMPRESSION SPRING 18		1				
022	421147-1	RUBBER PACKING		1				
023	312951-8	FRONT BASE		1				
024A	911231-5	PAN HEAD SCREW M5X20		6	*			
024-1A	911226-8	PAN HEAD SCREW M5X18	O	6				
024-1B	911226-8	PAN HEAD SCREW M5X18		6				
025	312952-6	REAR BASE		1				
026	411428-1	BAFFLE PLATE		1				
027-1A	263014-2	RUBBER PIN 4		1	*			
028	211031-6	BALL BEARING 608LLB		1				
029	263002-9	RUBBER PIN 4		1				
030C_A	522418-0	FIELD ASS'Y 220V		1	*			
C10	654038-3	INSULATED TERMINAL FT1.25-M4		2	*			
030C1A	599024-6	FIELD ASS'Y 220V	<	1				
C10	654038-3	INSULATED TERMINAL FT1.25-M4		2	*			
C11	654037-5	INSULATED TERM. FT1.25-M3		2	*			
C12	654037-5	INSULATED TERM. FT1.25-M3	O	2				
030C1B	599024-6	FIELD ASS'Y 220V		1				
C12	654037-5	INSULATED TERM. FT1.25-M3		2				
031-1A	911290-9	PAN HEAD SCREW M5X65		2	*			
031-2A	911295-9	PAN HEAD SCREW M5X70	X	2				
031-2B	911295-9	PAN HEAD SCREW M5X70		2				
032-1	681613-2	INSULATION WASHER		1				
033C1	516083-5	ARMATURE ASS'Y 220V		1				
D10		INC. 28,32,34,35,36						
034-1	241519-2	FAN 68		1				
035	213051-6	DUST SEAL 10		1				
036	211066-7	BALL BEARING 6200LLB		1				
037-1	152362-3	BRACKET		1				
D10		INC. 29,49						
038	911158-9	PAN HEAD SCREW M4X30		6				
039	222050-7	V-PULLEY 4-24L		1				
040-1	225069-5	POLY V-BELT 4-272		1				
041	411426-5	BELT COVER		1				
042-1	911123-8	PAN HEAD SCREW M4X14		1				
043	222063-8	V-PULLEY 4-38		1				
044	211062-5	BALL BEARING 6000ZZ		1				
045	341389-0	WASHER 10		1				
046A	161078-9	DRUM		1	*			

Model No.1911B POWER PLANER 110MM

Item	Parts No.	Description	I/C	Qty	New/Old	Opt. 1	Opt. 2	Note
046-1A	161119-1	DRUM	S	1				
046-1B	161119-1	DRUM		1				
047	341377-7	WASHER 12		1				
048	211107-9	BALL BEARING 6201ZZ		1				
049	263005-3	RUBBER PIN 6		1				
050A	263002-9	RUBBER PIN 4		1	*			
051A	345157-3	BLADE HOLDER		2	*			
051-1A	341601-8	ADJUSTING PLATE	S	2				
051-1B	341601-8	ADJUSTING PLATE		2				
052A	911106-8	PAN HEAD SCREW M4X8		4	*			
052-1A	251246-3	+ PAN HEAD SCREW M4X5	S	4				
052-1B	251246-3	+ PAN HEAD SCREW M4X5		4				
053A	345156-5	DRUM PLATE		1	*			
053-1A	344442-1	DRUM PLATE	O	1	*			
053-2A	187674-5	DRUM PLATE SET	O	1				
053-2B	187674-5	DRUM PLATE SET		1				
054	251609-3	HEX. FLANGE HEAD BOLT M6X17		8				
055A	232065-6	LEAF SPRING		2	*			
056A	321346-4	PIN		2	*			
057A	961017-7	STOP RING E-3		1	*			
058A	321347-2	STOPPER PIN		1	*			
059A	231303-3	COMPRESSION SPRING 5		1	*			
060A	256714-1	PIN 2		1	*			
061A	252415-9	NUT N4-12		1	*			
062	410329-0	SUB CHIP COVER		1				
063	911153-9	PAN HEAD SCREW M4X28		1				
066A	267012-8	FLAT WASHER 5		2				
066B	267012-8	FLAT WASHER 5		2				
400	123055-9	SHARPENING HOLDER ASS'Y		1				
C10	934301-3	WING NUT M6		2				
C20	251920-3	CAP SQUARE NECK BOLT M6X30		2				
C30	341390-5	PRESSURE PLATE		1				
404A	155270-7	CUTTER LEVELLER		1	*			
C10	817673-0	CAUTION LABEL		1	*			
404-1A	123062-2	BLADE GAUGE ASS'Y	X	1				
404-1B	123062-2	BLADE GAUGE ASS'Y		1				
C10	411086-3	GAUGE PLATE		1				
C20	911228-4	PAN HEAD SCREW M5X18		2				
405	782209-3	SOCKET WRENCH 9		1				
406	793008-8	PLANER BLADE 110		1	*			
406-1	D-71211	HSS PLANER BLADE 110MM	O	1				

Model No.1911B POWER PLANER 110MM

Item	Parts No.	Description	I/C	Qty	New/Old	Opt. 1	Opt. 2	Note
407	192082-7	NOZZLE FOR VACUUM CLEANER		1				
C10	213601-7	O RING 50		1				
C20	410299-3	JOINT 55		1				
C30	414468-8	NOZZLE		1				
C40	911153-9	PAN HEAD SCREW M4X28		1				
C50	911188-0	PAN HEAD SCREW M4X60		1				
408B	821551-8	CONNECTOR PLASTIC CASE (TYPE3)		1				
C10	453974-8	LATCH		4				
409B	837878-6	INNER TRAY		1				
410B	803F07-9	1911BJ INDICATION LABEL		1				
411B	803F08-7	1911BJ PLASTIC CASE LABEL		2				
901A	191455-1	GUIDE RULE SET		1	*			
901-1A	165259-7	GUIDE RULE	S	1				
901-1B	165259-7	GUIDE RULE		1				
902A	251812-6	SCREW M5X10		1				
902B	251812-6	SCREW M5X10		1				
914	819063-3	MAKITA LABEL		1				

Please order the parts with part number.

Print Date 25/3/2020