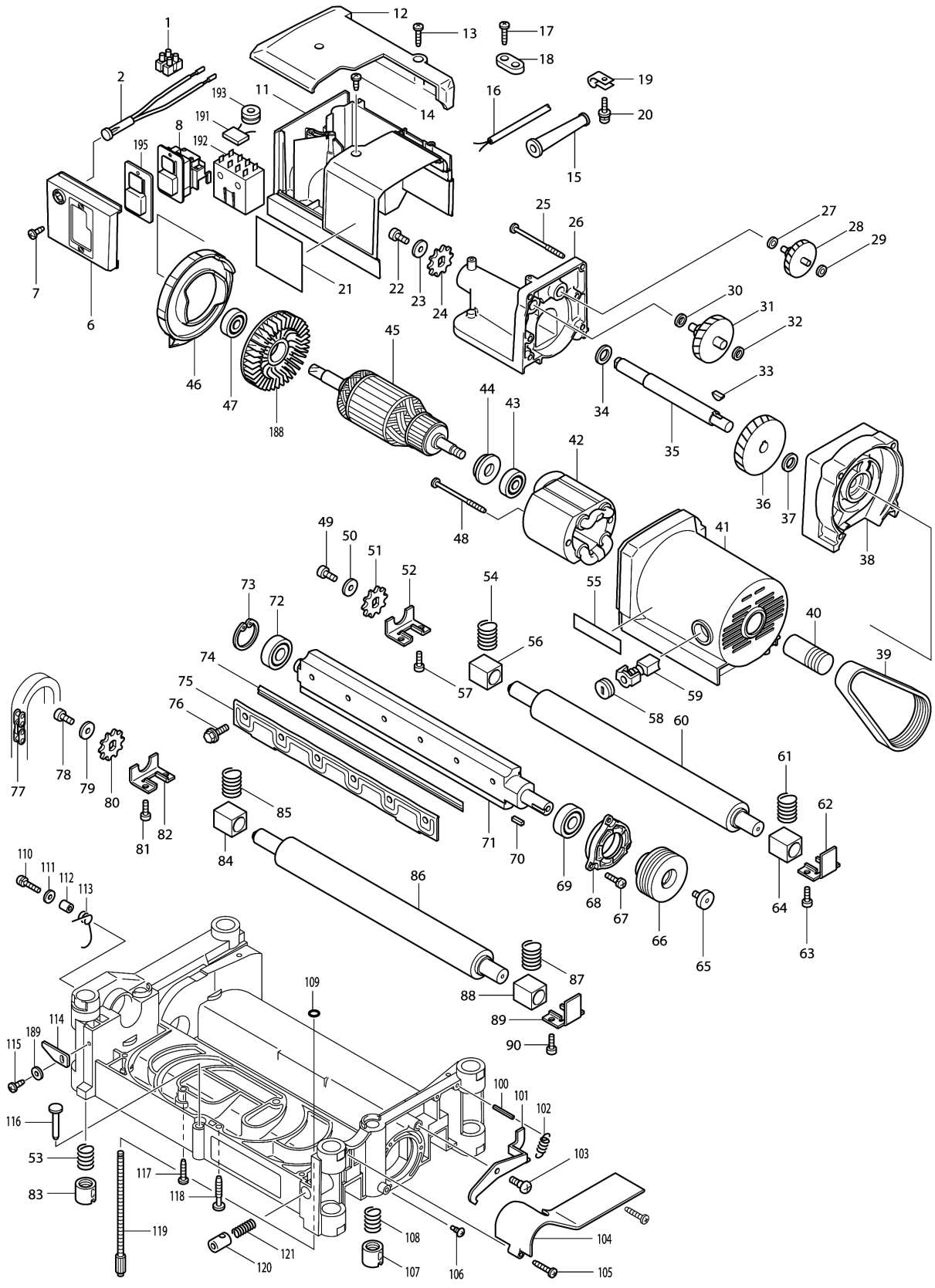
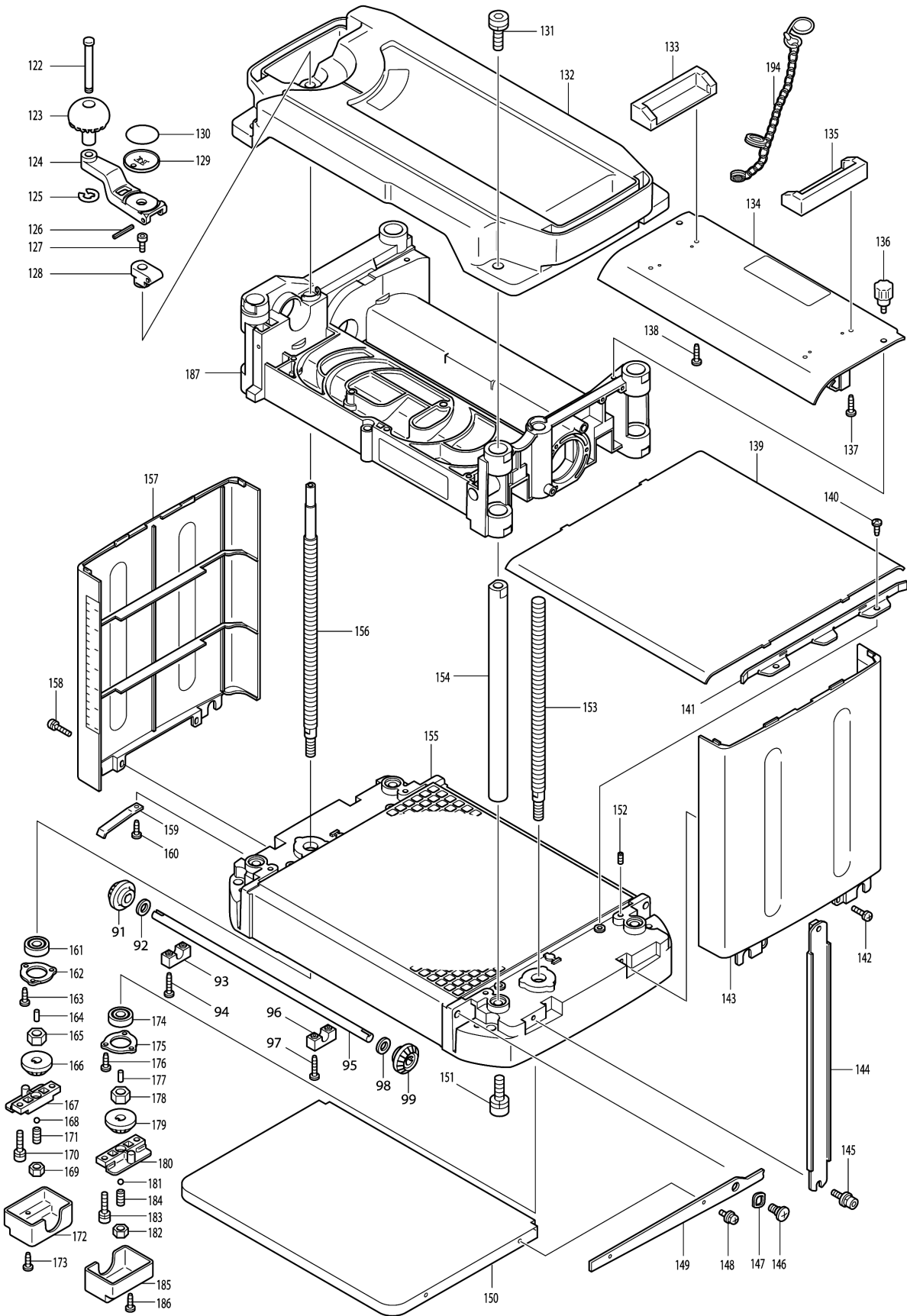


Model No.2012NB PLANER 304MM



Model No.2012NB PLANER 304MM



Model No.2012NB PLANER 304MM

| Item | Parts No. | Description | I/C | Qty | New/Old | Opt. 1 | Opt. 2 | Note |
|-------|-----------|---------------------------------|-----|-----|---------|--------|--------|------|
| 001 | 654561-8 | TERMINAL BLOCK | | 1 | | | | |
| 002 | 631371-0 | PILOT LAMP COMPLETE | | 1 | | | | |
| 006 | 418416-9 | SWITCH COVER | | 1 | | | | |
| 007 | 251991-0 | + TAPPING SCREW M4X12 | | 2 | | | | |
| 008 | 632519-7 | SWITCH UNIT | | 1 | | | | |
| 011 | 417041-3 | SWITCH BOX | | 1 | | | | |
| 012 | 417038-2 | SWITCH BOX COVER | | 1 | | | | |
| 013 | 265995-6 | TAPPING SCREW 4X18 | | 2 | | | | |
| 014 | 266026-4 | TAPPING SCREW BIND CT 4X12 | | 2 | | | | |
| 015 | 682516-3 | CORD GUARD 9.3-85 | | 1 | | | | |
| 016 | 665865-3 | POWER SUPPLY CORD 1.0-2- 2.5 | | 1 | | | | |
| 017 | 265995-6 | TAPPING SCREW 4X18 | | 2 | | | | |
| 018 | 687053-2 | STRAIN RELIEF | | 1 | * | | | |
| 018-1 | 687052-4 | STRAIN RELIEF | < | 1 | * | | | |
| 018-2 | 687124-5 | STRAIN RELIEF | O | 1 | | | | |
| 019 | 687042-7 | STRAIN RELIEF | | 1 | | | | |
| 020 | 911128-8 | P.H.SCREW M4X16 WITH WR | | 1 | | | | |
| 021 | 851968-1 | NAME PLATE 2012NB | | 1 | | | | |
| 022 | 922312-0 | HEX. SOCKET HEAD BOLT M6X12 | | 1 | | | | |
| 023 | 267080-1 | FLAT WASHER 6 | | 1 | | | | |
| 024 | 221525-3 | SPROCKET 10 | | 1 | | | | |
| 025 | 266059-9 | TAPPING SCREW 5X75 | | 4 | | | | |
| 026 | 151739-9 | GEAR HOUSING COVER COMPLETE | | 1 | | | | |
| C10 | 214014-5 | PLANE BEARING 6 | | 1 | | | | |
| C20 | 214022-6 | PLANE BEARING 8 | | 1 | | | | |
| C30 | 214156-5 | PLANE BEARING 14 | | 1 | | | | |
| C40 | 256041-6 | PIN 6 | | 2 | | | | |
| 027 | 253715-0 | FLAT WASHER 6 | | 1 | | | | |
| 028 | 226134-3 | GEAR COMPLETE 8-50 | | 1 | | | | |
| 029 | 253715-0 | FLAT WASHER 6 | | 1 | | | | |
| 030 | 253215-0 | FLAT WASHER 8 | | 1 | | | | |
| 031 | 226135-1 | GEAR COMPLETE 8-46 | | 1 | | | | |
| 032 | 253215-0 | FLAT WASHER 8 | | 1 | | | | |
| 033 | 254001-2 | WOODRUFF KEY 4 | | 1 | | | | |
| 034 | 253760-5 | FLAT WASHER 14 | | 1 | | | | |
| 035 | 323923-8 | DRIVE SHAFT | | 1 | | | | |
| 036 | 226518-5 | HELICAL GEAR 47 | | 1 | | | | |
| 037 | 253744-3 | FLAT WASHER 12 | | 1 | | | | |
| 038 | 151738-1 | GEAR HOUSING COMPLETE | | 1 | | | | |
| C10 | 214014-5 | PLANE BEARING 6 | | 1 | | | | |

Model No.2012NB PLANER 304MM

| Item | Parts No. | Description | I/C | Qty | New/Old | Opt. 1 | Opt. 2 | Note |
|-------|-----------|--------------------------------|-----|-----|---------|--------|--------|------|
| C20 | 214022-6 | PLANE BEARING 8 | | 1 | | | | |
| C30 | 214109-4 | PLANE BEARING 12 | | 1 | | | | |
| 039 | 225083-1 | POLY V-BELT 8-341 | | 1 | | | | |
| 040 | 222155-3 | V-PULLEY 8-23.5L | | 1 | | | | |
| 041 | 151737-3 | MOTOR HOUSING COMPLETE | | 1 | | | | |
| C10 | 643660-1 | BRUSH HOLDER 6.5-13.5 | | 2 | * | | | |
| C11 | 643653-8 | BRUSH HOLDER 6.5-13.5 | O | 2 | | | | |
| 042 | 526104-5 | FIELD ASS'Y 230-240V | | 1 | | | | |
| C10 | 654020-2 | RING TERMINAL | | 2 | | | | |
| C20 | 654502-4 | CONNECTOR P-2 | | 2 | | | | |
| 043 | 211087-9 | BALL BEARING 6200DDW | | 1 | | | | |
| 044 | 681623-9 | INSULATION WASHER | | 1 | | | | |
| 045 | 516813-4 | ARMATURE ASS'Y 220-240V | | 1 | | | | |
| D10 | | INC. 43,44,47,188 | | | | | | |
| 046 | 417033-2 | BAFFLE PLATE | | 1 | | | | |
| 047 | 211087-9 | BALL BEARING 6200DDW | | 1 | | | | |
| 048 | 266059-9 | TAPPING SCREW 5X75 | | 2 | | | | |
| 049 | 922312-0 | HEX. SOCKET HEAD BOLT M6X12 | | 1 | | | | |
| 050 | 267080-1 | FLAT WASHER 6 | | 1 | | | | |
| 051 | 221525-3 | SPROCKET 10 | | 1 | | | | |
| 052 | 343844-8 | METAL COVER (B) | | 1 | | | | |
| 053 | 233016-2 | COMPRESSION SPRING 15 | | 1 | | | | |
| 054 | 231459-2 | COMPRESSION SPRING 13 | | 1 | | | | |
| 055 | 819064-1 | MAKITA MARK | | 1 | | | | |
| 056 | 214251-1 | PLANE BEARING 17 | | 1 | | | | |
| 057 | 922221-3 | HEX. SOCKET HEAD BOLT M5X16 | | 2 | | | | |
| 058 | 643650-4 | BRUSH HOLDER CAP 6.5-13.5 | | 2 | * | | | |
| 058-1 | 643650-4 | BRUSH HOLDER CAP 6.5-13.5 | O | 2 | | | | |
| 059 | 181044-0 | CARBON BRUSH CB-153 | | 1 | | | | |
| 060 | 162216-6 | ROLLER 34-295 | | 1 | | | | |
| 061 | 233392-4 | COMPRESSION SPRING 13A | | 1 | | | | |
| 062 | 341685-6 | METAL COVER (A) | | 1 | | | | |
| 063 | 922221-3 | HEX. SOCKET HEAD BOLT M5X16 | | 2 | | | | |
| 064 | 214251-1 | PLANE BEARING 17 | | 1 | | | | |
| 065 | 265854-4 | HEX. SOCKET HEAD BOLT M6X12 | | 1 | | | | |
| 066 | 222154-5 | V-PULLEY 8-54 | | 1 | | | | |
| 067 | 911128-8 | P.H.SCREW M4X16 WITH WR | | 3 | | | | |
| 068 | 317259-5 | BEARING BOX | | 1 | | | | |
| 069 | 211206-7 | BALL BEARING 6202LLB | | 1 | | | | |
| 070 | 254204-8 | KEY 4 | | 1 | | | | |

Model No.2012NB PLANER 304MM

| Item | Parts No. | Description | I/C | Qty | New/Old | Opt. 1 | Opt. 2 | Note |
|------|-----------|--------------------------------|-----|-----|---------|--------|--------|------|
| 071 | 323928-8 | DRUM | | 1 | | | | |
| 072 | 211206-7 | BALL BEARING 6202LLB | | 1 | | | | |
| 073 | 962153-2 | RETAINING RING R-35 | | 1 | | | | |
| 074 | 793346-8 | PLANER BLADE 306 | | 1 | | | | |
| 075 | 343682-8 | SET PLATE | | 2 | | | | |
| 076 | 251609-3 | HEX. FLANGE HEAD BOLT M6X17 | | 12 | | | | |
| 077 | 225520-5 | CHAIN 35-46 | | 1 | | | | |
| 078 | 922312-0 | HEX. SOCKET HEAD BOLT M6X12 | | 1 | | | | |
| 079 | 267080-1 | FLAT WASHER 6 | | 1 | | | | |
| 080 | 221525-3 | SPROCKET 10 | | 1 | | | | |
| 081 | 922221-3 | HEX. SOCKET HEAD BOLT M5X16 | | 2 | | | | |
| 082 | 343844-8 | METAL COVER (B) | | 1 | | | | |
| 083 | 252426-4 | NUT M14 | | 1 | | | | |
| 084 | 214251-1 | PLANE BEARING 17 | | 1 | | | | |
| 085 | 231459-2 | COMPRESSION SPRING 13 | | 1 | | | | |
| 086 | 162216-6 | ROLLER 34-295 | | 1 | | | | |
| 087 | 233392-4 | COMPRESSION SPRING 13A | | 1 | | | | |
| 088 | 214251-1 | PLANE BEARING 17 | | 1 | | | | |
| 089 | 341685-6 | METAL COVER (A) | | 1 | | | | |
| 090 | 922221-3 | HEX. SOCKET HEAD BOLT M5X16 | | 2 | | | | |
| 091 | 226786-0 | STRAIGHT BEVEL GEAR 15 | | 1 | | | | |
| 092 | 253828-7 | FLAT WASHER 10 | | 1 | | | | |
| 093 | 417034-0 | SHAFT RETAINER | | 1 | | | | |
| 094 | 266040-0 | TAPPING SCREW CT 4X25 | | 2 | | | | |
| 095 | 323926-2 | SHAFT 10 | | 1 | | | | |
| 096 | 417034-0 | SHAFT RETAINER | | 1 | | | | |
| 097 | 266040-0 | TAPPING SCREW CT 4X25 | | 2 | | | | |
| 098 | 253828-7 | FLAT WASHER 10 | | 1 | | | | |
| 099 | 226786-0 | STRAIGHT BEVEL GEAR 15 | | 1 | | | | |
| 100 | 951122-8 | SPRING PIN 4-28 | | 1 | | | | |
| 101 | 344815-8 | LOCK PLATE | | 1 | | | | |
| 102 | 231793-0 | TENSION SPRING 5 | | 1 | | | | |
| 103 | 251283-7 | + PAN HEAD SCREW M5 | | 1 | | | | |
| 104 | 417035-8 | BELT COVER | | 1 | | | | |
| 105 | 266040-0 | TAPPING SCREW CT 4X25 | | 2 | | | | |
| 106 | 251322-3 | + PAN HEAD SCREW M5X12 | | 2 | | | | |
| 107 | 252427-2 | NUT M14L | | 1 | | | | |
| 108 | 233016-2 | COMPRESSION SPRING 15 | | 1 | | | | |
| 109 | 213009-5 | O RING 4 | | 1 | | | | |
| 110 | 911233-1 | PAN HEAD SCREW M5X20 | | 1 | | | | |

Model No.2012NB PLANER 304MM

| Item | Parts No. | Description | I/C | Qty | New/Old | Opt. 1 | Opt. 2 | Note |
|-------|-----------|---------------------------------|-----|-----|---------|--------|--------|------|
| 111 | 253194-2 | FLAT WASHER 5 | | 1 | | | | |
| 112 | 257600-9 | SLEEVE 6 | | 1 | | | | |
| 113 | 231588-1 | TORSION SPRING 9 | | 1 | | | | |
| 114 | 344068-9 | POINTER | | 1 | | | | |
| 115 | 266026-4 | TAPPING SCREW BIND CT 4X12 | | 1 | | | | |
| 116 | 322229-1 | GAUGE | | 1 | | | | |
| 117 | 266040-0 | TAPPING SCREW CT 4X25 | | 2 | | | | |
| 118 | 266173-1 | TAPPING SCREW 5X30 | | 2 | | | | |
| 119 | 265736-0 | SCREW M6X135 | | 1 | | | | |
| 120 | 323927-0 | HALF NUT | | 1 | | | | |
| 121 | 231226-5 | COMPRESSION SPRING 11 | | 1 | | | | |
| 122 | 256688-6 | PIN 8 | | 1 | | | | |
| 123 | 271296-2 | KNOB 45 | | 1 | | | | |
| 124 | 272026-4 | HANDLE 160 | | 1 | * | | | |
| 124-1 | 272028-0 | HANDLE 160 | < | 1 | | | | |
| 125 | 961012-7 | STOP RING E-6 | | 1 | | | | |
| 126 | 951122-8 | SPRING PIN 4-28 | | 1 | | | | |
| 127 | 266086-6 | HEX. SOCKET HEAD BOLT M5X16 | | 1 | | | | |
| 128 | 317261-8 | JOINT | | 1 | * | | | |
| 128-1 | 317760-0 | JOINT | < | 1 | | | | |
| 129 | 417032-4 | GAUGE | | 1 | | | | |
| 130 | 816358-5 | SCALE LABEL | | 1 | | | | |
| 131 | 266240-2 | HEX. SOCKET HEAD BOLT M10X25 | | 4 | | | | |
| 132 | 151920-2 | TOP COVER COMPLETE | | 1 | * | | | |
| C10 | 816359-3 | INDICATION LABEL | | 1 | * | | | |
| C20 | 817737-0 | CAUTION LABEL | | 1 | * | | | |
| 132-1 | 153781-6 | TOP COVER COMPLETE | < | 1 | * | | | |
| C10 | 816359-3 | INDICATION LABEL | | 1 | * | | | |
| C20 | 817737-0 | CAUTION LABEL | | 1 | * | | | |
| 132-2 | 153779-3 | TOP COVER COMPLETE | < | 1 | | | | |
| C10 | 816359-3 | INDICATION LABEL | | 1 | | | | |
| 133 | 417036-6 | TOOL BOX HOLDER | | 1 | | | | |
| 134 | 165272-5 | CHIP COVER | | 1 | * | | | |
| 134-1 | 165379-7 | CHIP COVER | O | 1 | | | | |
| 135 | 417036-6 | TOOL BOX HOLDER | | 1 | | | | |
| 136 | 265716-6 | SCREW M5X10 | | 2 | | | | |
| 137 | 265995-6 | TAPPING SCREW 4X18 | | 2 | | | | |
| 138 | 265995-6 | TAPPING SCREW 4X18 | | 2 | | | | |
| 139 | 344816-6 | TABLE PLATE | | 1 | | | | |
| 140 | 266026-4 | TAPPING SCREW BIND CT 4X12 | | 4 | | | | |

Model No.2012NB PLANER 304MM

| Item | Parts No. | Description | I/C | Qty | New/Old | Opt. 1 | Opt. 2 | Note |
|-------|-----------|-----------------------------------|-----|-----|---------|--------|--------|------|
| 141 | 344819-0 | GUIDE PLATE | | 2 | | | | |
| 142 | 911128-8 | P.H.SCREW M4X16 WITH WR | | 2 | | | | |
| 143 | 417040-5 | SIDE COVER | | 1 | | | | |
| 144 | 344820-5 | SIDE BEAM | | 2 | | | | |
| 145 | 922323-5 | HEX.SOCKET HEAD BOLT M6X16 | | 4 | | | | |
| 146 | 251217-0 | + BINDING HEAD SCREW M8 | | 4 | | | | |
| 147 | 253932-2 | WAVE WASHER 10 | | 4 | | | | |
| 148 | 911108-4 | PAN HEAD SCREW M4X8 | | 8 | | | | |
| 149 | 344818-2 | ARM | | 4 | | | | |
| 150 | 344817-4 | SUB TABLE PLATE | | 2 | | | | |
| 151 | 266240-2 | HEX. SOCKET HEAD BOLT M10X25 | | 4 | | | | |
| 152 | 266213-5 | H.S.SET SCREW(FLAT POINT)M5X12 | | 4 | | | | |
| 153 | 323925-4 | SCREW L | | 1 | | | | |
| 154 | 331562-0 | COLUMN 20 | | 4 | | | | |
| 155 | 317266-8 | TABLE | | 1 | * | | | |
| 155-1 | 317763-4 | TABLE | < | 1 | | | | |
| 156 | 323924-6 | SCREW R | | 1 | | | | |
| 157 | 151886-6 | SIDE COVER COMPLETE | | 1 | * | | | |
| C10 | 816354-3 | SCALE LABEL | | 1 | * | | | |
| 157-1 | 142383-3 | SIDE COVER COMPLETE | < | 1 | | | | |
| C10 | 816354-3 | SCALE LABEL | | 1 | | | | |
| 158 | 911128-8 | P.H.SCREW M4X16 WITH WR | | 2 | | | | |
| 159 | 232195-3 | LEAF SPRING | | 2 | | | | |
| 160 | 266026-4 | TAPPING SCREW BIND CT 4X12 | | 2 | | | | |
| 161 | 211088-7 | BALL BEARING 6000DDW | | 1 | | | | |
| 162 | 285698-6 | BEARING RETAINER 33 | | 1 | | | | |
| 163 | 266026-4 | TAPPING SCREW BIND CT 4X12 | | 3 | | | | |
| 164 | 256226-4 | PIN 4 | | 1 | | | | |
| 165 | 252164-8 | HEX.NUT M10-17 | | 1 | | | | |
| 166 | 226791-7 | STRAIGHT BEVEL GEAR 15 | | 1 | | | | |
| 167 | 317260-0 | SUPPORTER | | 1 | | | | |
| 168 | 216011-7 | STEEL BALL 5.6 | | 1 | | | | |
| 169 | 931403-6 | HEX. NUT M8 | | 1 | | | | |
| 170 | 922231-0 | HEX. SOCKET HEAD BOLT M5X20 | | 2 | | | | |
| 171 | 265846-3 | H.S.SET SCREW(CUP POINT)M8X16 | | 1 | | | | |
| 172 | 417030-8 | GEAR COVER | | 1 | | | | |
| 173 | 266026-4 | TAPPING SCREW BIND CT 4X12 | | 1 | | | | |
| 174 | 211088-7 | BALL BEARING 6000DDW | | 1 | | | | |
| 175 | 285698-6 | BEARING RETAINER 33 | | 1 | | | | |

Please order the parts with part number.

Print Date 8/9/2020

Model No.2012NB PLANER 304MM

| Item | Parts No. | Description | I/C | Qty | New/Old | Opt. 1 | Opt. 2 | Note |
|-------|-----------|-------------------------------|-----|-----|---------|--------|--------|------|
| 176 | 266026-4 | TAPPING SCREW BIND CT 4X12 | | 3 | | | | |
| 177 | 256226-4 | PIN 4 | | 1 | | | | |
| 178 | 252164-8 | HEX.NUT M10-17 | | 1 | | | | |
| 179 | 226791-7 | STRAIGHT BEVEL GEAR 15 | | 1 | | | | |
| 180 | 317260-0 | SUPPORTER | | 1 | | | | |
| 181 | 216011-7 | STEEL BALL 5.6 | | 1 | | | | |
| 182 | 931403-6 | HEX. NUT M8 | | 1 | | | | |
| 183 | 922231-0 | HEX. SOCKET HEAD BOLT M5X20 | | 2 | | | | |
| 184 | 265846-3 | H.S.SET SCREW(CUP POINT)M8X16 | | 1 | | | | |
| 185 | 417030-8 | GEAR COVER | | 1 | | | | |
| 186 | 266026-4 | TAPPING SCREW BIND CT 4X12 | | 1 | | | | |
| 187 | 153731-1 | MAIN FRAME COMPLETE | | 1 | * | | | |
| C10 | 817283-3 | CAUTION LABEL | | 1 | * | | | |
| 187-1 | 153731-1 | MAIN FRAME COMPLETE | < | 1 | | | | |
| C10 | 817283-3 | CAUTION LABEL | | 1 | | | | |
| 188 | 240003-4 | FAN 80 | | 1 | | | | |
| 189 | 941051-3 | FLAT WASHER 4 | | 1 | | | | |
| 191 | 645200-1 | NOISE SUPPRESSOR | | 1 | | | | |
| 192 | 652769-8 | RELAY | | 1 | * | | | |
| 192-1 | 652769-8 | RELAY | O | 1 | * | | | |
| 192-2 | 638897-3 | RELAY UNIT | O | 1 | | | | |
| 193 | 688106-0 | LINE FILTER | | 1 | * | | | |
| 193-1 | 688131-1 | LINE FILTER | O | 1 | | | | |
| 194 | 282017-7 | CHAIN | | 1 | | | | |
| 195 | 414301-4 | DUST COVER | | 1 | | | | |
| A01 | 762014-4 | MAGNETIC HOLDER | | 2 | | | | |
| A02 | 782203-5 | SOCKET WRENCH 9 | | 1 | | | | |
| A03 | 783208-8 | HEX. WRENCH 2.5 | | 1 | | | | |
| A04 | 824002-0 | PLASTIC CASE | | 1 | | | | |
| A05 | 122696-8 | HOOD ASS'Y | | 1 | | | | |
| C10 | 344834-4 | HOOD HOLDER | | 1 | | | | |
| C20 | 415448-7 | HOOD | | 1 | | | | |
| A06B | 193902-8 | STAND SET | | 1 | * | | | |
| C11 | 265823-5 | CAP SQUARE NECK BOLT M8X14 | | 16 | * | | | |
| C16 | 286215-5 | CAP 28 | | 4 | * | | | |
| C21 | 344588-3 | STAND LEG | | 4 | * | | | |
| C26 | 344589-1 | STAND STAY A | | 2 | * | | | |
| C31 | 345395-7 | STAND STAY B | | 2 | * | | | |
| C36 | 921476-7 | HEX. BOLT M8X55 | | 4 | * | | | |
| C41 | 931402-8 | HEX. NUT M8 | | 20 | * | | | |

Model No.2012NB PLANER 304MM

| Item | Parts No. | Description | I/C | Qty | New/Old | Opt. 1 | Opt. 2 | Note |
|--------|-----------|-----------------|-----|-----|---------|--------|--------|------|
| C46 | 941201-0 | FLAT WASHER 8 | | 4 | * | | | |
| C51 | 942201-3 | SPRING WASHER 8 | | 16 | * | | | |
| C56 | 846285-2 | CARTON | | 1 | * | | | |
| A06-1B | 194053-0 | STAND SET | X | 1 | * | | | |
| A06-2B | 198689-7 | STAND SET | < | 1 | | | | |
| A07 | 416772-1 | PUSH STICK | | 1 | | | | |

Please order the parts with part number.

Print Date 8/9/2020