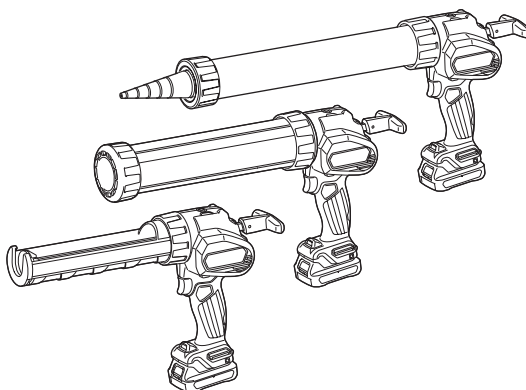




EN	Cordless Caulking Gun	INSTRUCTION MANUAL	6
SV	Sladdlös fogspruta	BRUKSANVISNING	12
NO	Trådløs tettingspistol	BRUKSANVISNING	18
FI	Akkukäyttöinen tiivistemassapuristin	KÄYTTÖOHJE	24
LV	Bezvadu blīvēšanas pistole	LIETOŠANAS INSTRUKCIJA	30
LT	Belaidis užpildo pistoletas	NAUDOJIMO INSTRUKCIJA	36
ET	Juhtmevaba vuugitäitepüstol	KASUTUSJUHEND	42
RU	Аккумуляторный Пистолет Для Герметика	РУКОВОДСТВО ПО ЭКСПЛУАТАЦИИ	48

CG100D



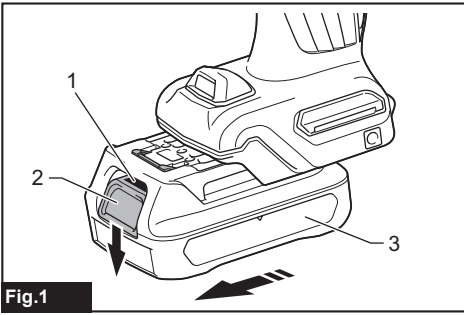


Fig.1

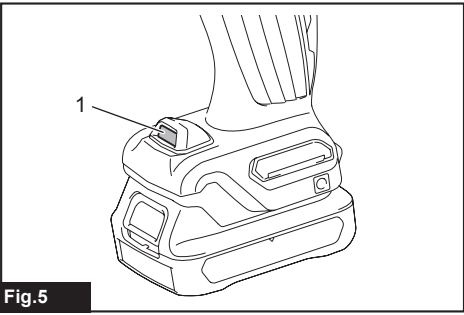


Fig.5



Fig.2

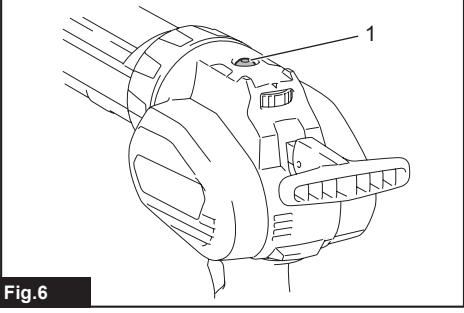


Fig.6

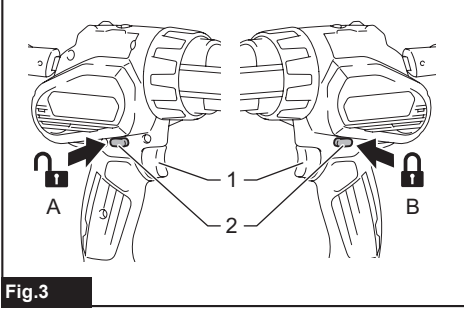


Fig.3

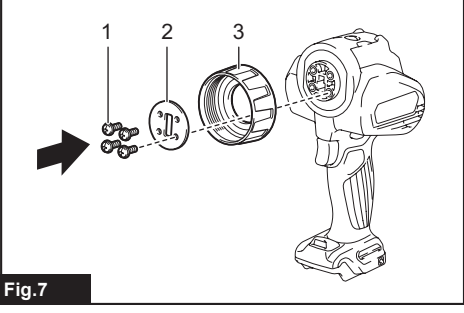


Fig.7

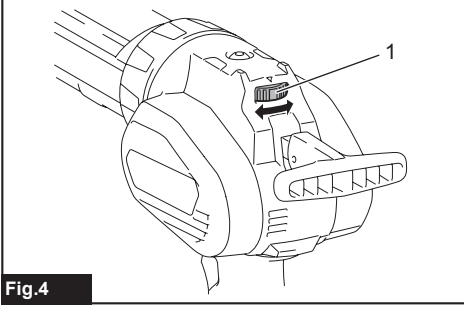


Fig.4

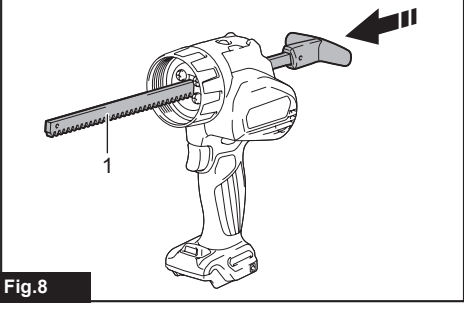


Fig.8

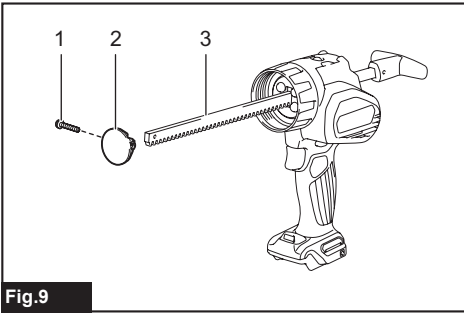


Fig.9

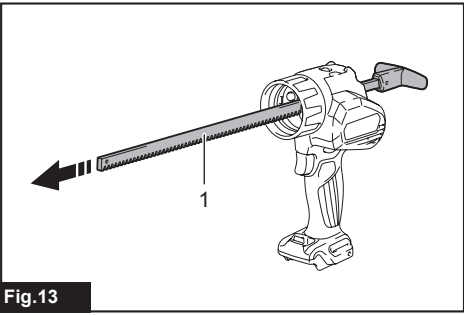


Fig.13

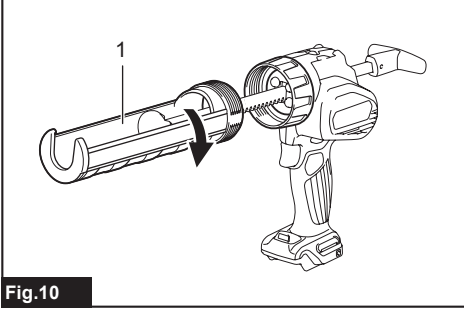


Fig.10

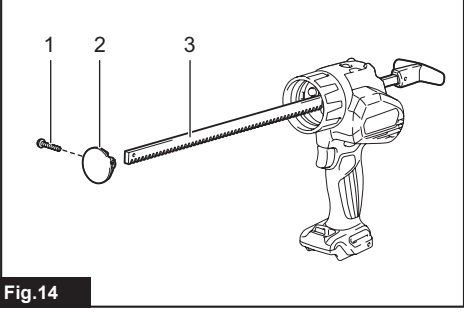


Fig.14

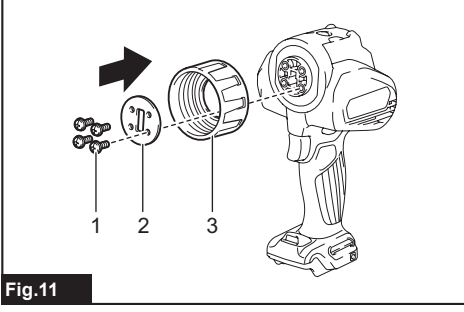


Fig.11

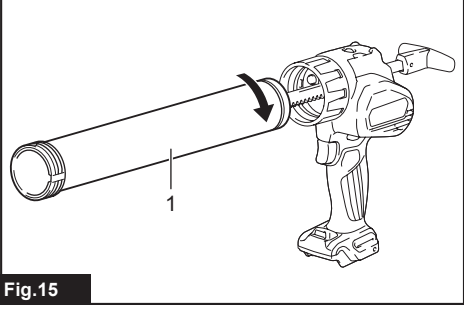


Fig.15

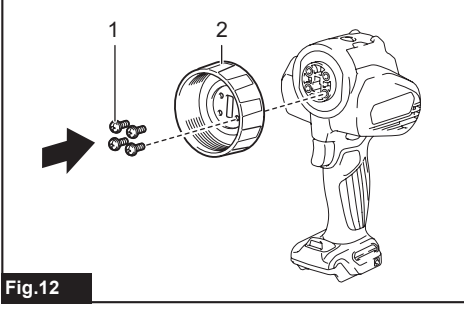


Fig.12

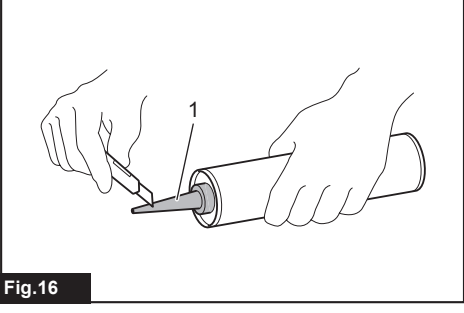


Fig.16

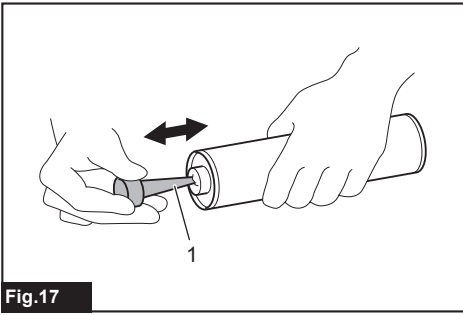


Fig. 17

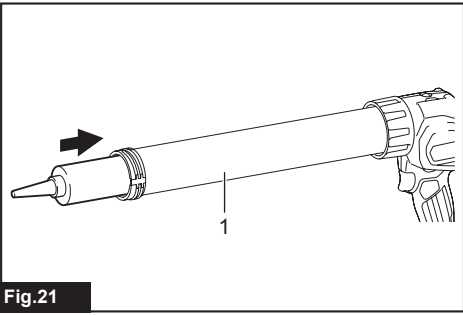


Fig. 21

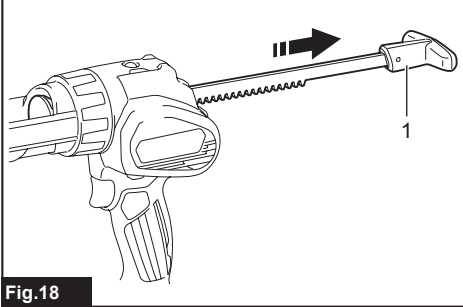


Fig. 18

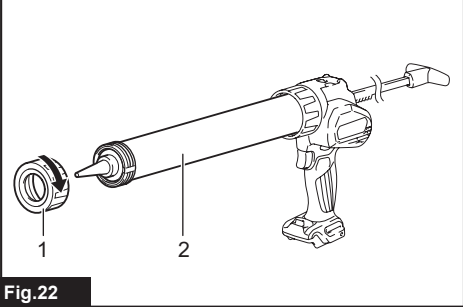


Fig. 22

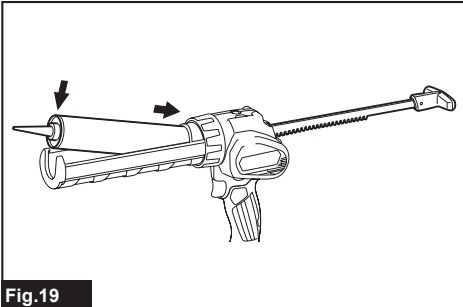


Fig. 19

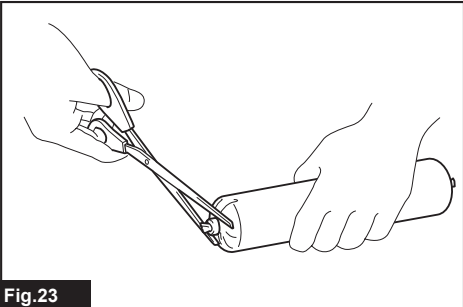


Fig. 23

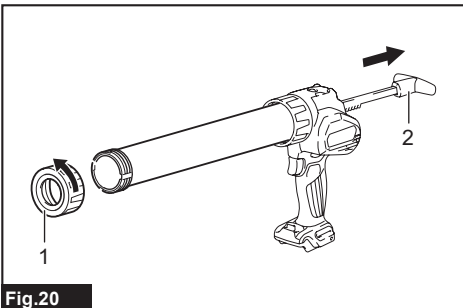


Fig. 20

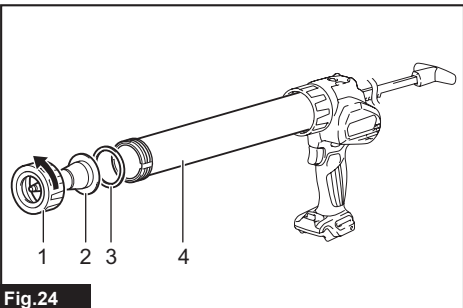
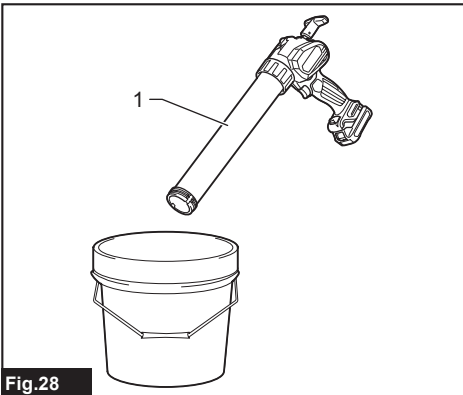
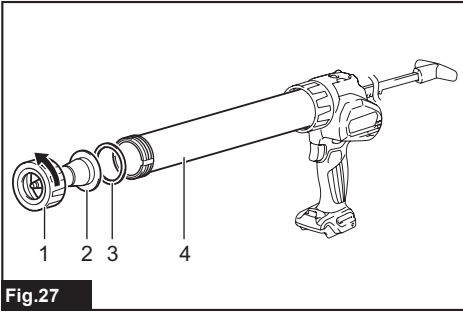
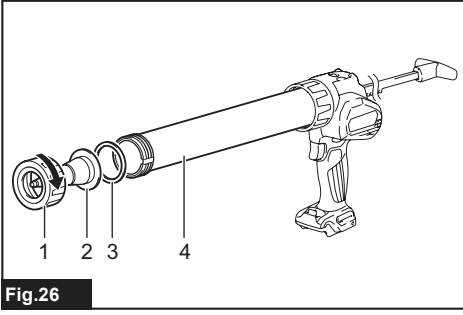
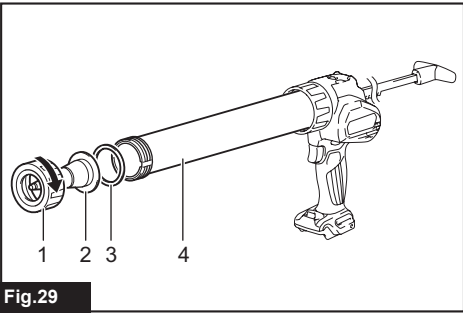
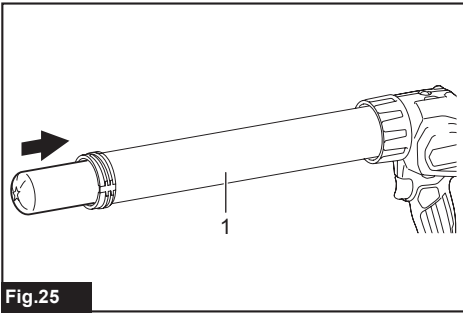


Fig. 24



SPECIFICATIONS

Model:		CG100D
Maximum feed force		5,000 N
Feed speed		0 - 28 mm/s
Stroke	300 ml size holder	214 mm
	600 ml size holder	350 mm
	800 ml size holder	294 mm
Overall length	300ml size holder	404 mm
	600ml size holder	538 mm
	800ml size holder	480 mm
Rated voltage		D.C. 10.8 V - 12 V max
Standard battery cartridge		BL1015 / BL1016 / BL1020B / BL1021B / BL1040B / BL1041B
Charger		DC10SA / DC10SB / DC10WC / DC10WD
Net weight		1.9 - 2.6 kg

- Due to our continuing program of research and development, the specifications herein are subject to change without notice.
- Specifications and battery cartridge may differ from country to country.
- The weight may differ depending on the attachment(s), including the battery cartridge. The lightest and heaviest combinations, according to EPTA-Procedure 01/2014, are shown in the table.

Intended use

This tool is intended for applying caulking material to surface.

Noise

The typical A-weighted noise level determined according to EN62841:

Sound pressure level (L_{pA}) : 70 dB(A) or less
 Uncertainty (K) : 3 dB(A)

The noise level under working may exceed 80 dB (A).

NOTE: The declared noise emission value(s) has been measured in accordance with a standard test method and may be used for comparing one tool with another.

NOTE: The declared noise emission value(s) may also be used in a preliminary assessment of exposure.

⚠ WARNING: Wear ear protection.

⚠ WARNING: The noise emission during actual use of the power tool can differ from the declared value(s) depending on the ways in which the tool is used especially what kind of workpiece is processed.

⚠ WARNING: Be sure to identify safety measures to protect the operator that are based on an estimation of exposure in the actual conditions of use (taking account of all parts of the operating cycle such as the times when the tool is switched off and when it is running idle in addition to the trigger time).

Vibration

The vibration total value (tri-axial vector sum) determined according to EN62841:

Work mode: operation without load
 Vibration emission (a_h) : 2.5 m/s² or less
 Uncertainty (K) : 1.5 m/s²

NOTE: The declared vibration total value(s) has been measured in accordance with a standard test method and may be used for comparing one tool with another.

NOTE: The declared vibration total value(s) may also be used in a preliminary assessment of exposure.

⚠ WARNING: The vibration emission during actual use of the power tool can differ from the declared value(s) depending on the ways in which the tool is used especially what kind of workpiece is processed.

⚠ WARNING: Be sure to identify safety measures to protect the operator that are based on an estimation of exposure in the actual conditions of use (taking account of all parts of the operating cycle such as the times when the tool is switched off and when it is running idle in addition to the trigger time).

EC Declaration of Conformity

For European countries only

The EC declaration of conformity is included as Annex A to this instruction manual.

SAFETY WARNINGS

General power tool safety warnings

⚠WARNING: Read all safety warnings, instructions, illustrations and specifications provided with this power tool. Failure to follow all instructions listed below may result in electric shock, fire and/or serious injury.

Save all warnings and instructions for future reference.

The term "power tool" in the warnings refers to your mains-operated (corded) power tool or battery-operated (cordless) power tool.

Cordless caulking gun safety warnings

1. Keep hands and clothes away from the rod and the plunger area. Otherwise your finger or clothes may be pinched.
2. Hold the tool firmly.
3. Always work in well ventilated area and wear proper protections in accordance with the operation.
4. Read and follow the manufacture's instructions on caulking material or adhesive material before usage.

SAVE THESE INSTRUCTIONS.

⚠WARNING: DO NOT let comfort or familiarity with product (gained from repeated use) replace strict adherence to safety rules for the subject product. MISUSE or failure to follow the safety rules stated in this instruction manual may cause serious personal injury.

Important safety instructions for battery cartridge

1. Before using battery cartridge, read all instructions and cautionary markings on (1) battery charger, (2) battery, and (3) product using battery.
2. Do not disassemble battery cartridge.
3. If operating time has become excessively shorter, stop operating immediately. It may result in a risk of overheating, possible burns and even an explosion.
4. If electrolyte gets into your eyes, rinse them out with clear water and seek medical attention right away. It may result in loss of your eyesight.
5. Do not short the battery cartridge:
 - (1) Do not touch the terminals with any conductive material.
 - (2) Avoid storing battery cartridge in a container with other metal objects such as nails, coins, etc.
 - (3) Do not expose battery cartridge to water or rain.

A battery short can cause a large current flow, overheating, possible burns and even a breakdown.

6. Do not store the tool and battery cartridge in locations where the temperature may reach or exceed 50 °C (122 °F).
7. Do not incinerate the battery cartridge even if it is severely damaged or is completely worn out. The battery cartridge can explode in a fire.
8. Be careful not to drop or strike battery.
9. Do not use a damaged battery.
10. The contained lithium-ion batteries are subject to the Dangerous Goods Legislation requirements.
For commercial transports e.g. by third parties, forwarding agents, special requirement on packaging and labeling must be observed.
For preparation of the item being shipped, consulting an expert for hazardous material is required. Please also observe possibly more detailed national regulations.
Tape or mask off open contacts and pack up the battery in such a manner that it cannot move around in the packaging.
11. When disposing the battery cartridge, remove it from the tool and dispose of it in a safe place. Follow your local regulations relating to disposal of battery.
12. Use the batteries only with the products specified by Makita. Installing the batteries to non-compliant products may result in a fire, excessive heat, explosion, or leak of electrolyte.
13. If the tool is not used for a long period of time, the battery must be removed from the tool.

SAVE THESE INSTRUCTIONS.

⚠CAUTION: Only use genuine Makita batteries. Use of non-genuine Makita batteries, or batteries that have been altered, may result in the battery bursting causing fires, personal injury and damage. It will also void the Makita warranty for the Makita tool and charger.

Tips for maintaining maximum battery life

1. Charge the battery cartridge before completely discharged. Always stop tool operation and charge the battery cartridge when you notice less tool power.
2. Never recharge a fully charged battery cartridge. Overcharging shortens the battery service life.
3. Charge the battery cartridge with room temperature at 10 °C - 40 °C (50 °F - 104 °F). Let a hot battery cartridge cool down before charging it.

FUNCTIONAL DESCRIPTION

CAUTION: Always be sure that the tool is switched off and the battery cartridge is removed before adjusting or checking function on the tool.

Installing or removing battery cartridge

CAUTION: Always switch off the tool before installing or removing of the battery cartridge.

CAUTION: Hold the tool and the battery cartridge firmly when installing or removing battery cartridge. Failure to hold the tool and the battery cartridge firmly may cause them to slip off your hands and result in damage to the tool and battery cartridge and a personal injury.

► Fig.1: 1. Red indicator 2. Button 3. Battery cartridge

To remove the battery cartridge, slide it from the tool while sliding the button on the front of the cartridge.

To install the battery cartridge, align the tongue on the battery cartridge with the groove in the housing and slip it into place. Insert it all the way until it locks in place with a little click. If you can see the red indicator on the upper side of the button, it is not locked completely.

CAUTION: Always install the battery cartridge fully until the red indicator cannot be seen. If not, it may accidentally fall out of the tool, causing injury to you or someone around you.

CAUTION: Do not install the battery cartridge forcibly. If the cartridge does not slide in easily, it is not being inserted correctly.

Battery protection system

The tool is equipped with a battery protection system. This system automatically cuts off power to the motor to extend battery life.

The tool will automatically stop during operation if the tool and/or battery are placed under one of the following conditions:

Overloaded:

The tool is operated in a manner that causes it to draw an abnormally high current.

In this situation, turn the tool off and stop the application that caused the tool to become overloaded. Then turn the tool on to restart.

If the tool does not start, the battery is overheated. In this situation, let the battery cool before turning the tool on again.

Low battery voltage:

The remaining battery capacity is too low and the tool will not operate. If you turn the tool on, the motor runs again but stops soon. In this situation, remove and recharge the battery.

Indicating the remaining battery capacity

Only for battery cartridges with the indicator

► Fig.2: 1. Indicator lamps 2. Check button

Press the check button on the battery cartridge to indicate the remaining battery capacity. The indicator lamps light up for a few seconds.

Indicator lamps		Remaining capacity
Lighted	Off	
■ ■ ■ ■	□	75% to 100%
■ ■ ■ □	□	50% to 75%
■ ■ □ □	□ □	25% to 50%
■ □ □ □	□ □ □ □	0% to 25%

NOTE: Depending on the conditions of use and the ambient temperature, the indication may differ slightly from the actual capacity.

Switch action

WARNING: Before installing the battery cartridge into the tool, always check to see that the switch trigger actuates properly and returns to the "OFF" position when released.

► Fig.3: 1. Switch trigger 2. Trigger-lock button

To prevent the switch trigger from accidentally pulled, the trigger-lock button is provided.

To start the tool, depress the trigger-lock button from A side and pull the switch trigger. Tool speed is increased by increasing pressure on the switch trigger. Release the switch trigger to stop.

After use, press in the trigger-lock button from B side.

Speed adjusting dial

► Fig.4: 1. Speed adjusting dial

The tool speed can be adjusted by turning the speed adjusting dial. You can get the highest speed at 5 and the lowest speed at 1.

NOTICE: Do not turn the dial quickly when the tool is working.

NOTICE: Depending on the type and conditions of caulking material, it may not be fed at low speed. In this case, set the speed adjusting dial higher.

NOTICE: When changing the speed dial from "5" to "4", turn the dial counterclockwise. Do not turn the dial clockwise forcibly.

Lighting up the front lamp

CAUTION: Do not look in the light or see the source of light directly.

► Fig.5: 1. Lamp

To turn on the lamp, slightly pull the switch trigger, and then release it. The lamp goes out approximately 10 seconds after releasing the switch trigger.

NOTICE: When the tool is overheated, the lamp flickers. Cool down the tool fully before operating the tool again.

NOTE: Use a dry cloth to wipe the dirt off the lens of the lamp. Be careful not to scratch the lens of lamp, or it may lower the illumination.

Overload warning lamp

► Fig.6: 1. Warning lamp

The warning lamp blinks when the tool is highly loaded. If the load increases and the tool becomes overloaded, the tool stops automatically and the warning lamp keeps on lighting. In this case, release the switch trigger, and remove the cause of overload, and then restart the tool.

NOTE: When the warning lamp blinks, check the following points:

- The caulking material is clogged.
- The speed adjusting dial is set to high speed.
- The cutting area of the tip of the cartridge nozzle or film type package is too small.

Drip preventive function

The motor keeps running for a short time even after the trigger is released. It releases the pressure of the caulking material and prevents dripping.

ASSEMBLY

CAUTION: Always be sure that the tool is switched off and the battery cartridge is removed before carrying out any work on the tool.

Installing or removing 300 ml size holder

Installing or removing the holder joint

Attach the holder joint and plate by securing the screws firmly. To remove the holder joint, follow the installation procedure in reverse.

► Fig.7: 1. Screw 2. Plate 3. Holder joint

Installing or removing the rod and piston

1. Insert the rod from the rear side of the tool with its teeth facing down.

► Fig.8: 1. Short rod

2. Attach piston A with the screw.

► Fig.9: 1. Screw 2. Piston A 3. Short rod

NOTICE: Available type of caulking material container for 300 ml size holder is cartridge only. Be sure to attach piston A to the rod.

To remove the rod and piston, follow the installation procedure in reverse.

Installing or removing the holder

CAUTION: Secure the holder to the holder joint firmly. Otherwise the holder may come off during operation and may cause an injury.

To install the holder, turn it clockwise firmly until it stops while holding the holder joint. To remove the holder, follow the installation procedure in reverse.

► Fig.10: 1. Holder

Installing or removing 600 ml or 800 ml size holder

Installing or removing the holder joint

Attach the holder joint and plate by securing the screws firmly. To remove the holder joint, follow the installation procedure in reverse.

For 600 ml size holder






► Fig.11: 1. Screw 2. Plate 3. Holder joint

For 800 ml size holder

► Fig.12: 1. Screw 2. Holder joint and plate

Selecting the type of piston

Select the proper type of piston according to the caulking material container by referring to the following table.

	600 ml size holder	800 ml size holder
Cartridge	Piston A 	Piston D 
Film package	Piston B 	Piston E * 
Direct filling	Piston C 	-

*. Optional accessory

Installing or removing the rod and piston

1. Insert the rod from the rear side of the tool with its teeth facing down.

► Fig.13: 1. Long rod or black rod

NOTICE: For 600 ml size holder, use the long rod. For 800 ml size holder, use the black rod.

2. Attach the piston with the screw.

► Fig.14: 1. Screw 2. Piston 3. Long rod or black rod

To remove the rod and piston, follow the installation procedure in reverse.

Installing or removing 600 ml or 800 ml size holder

CAUTION: Secure the holder to the holder joint firmly. Otherwise the holder may come off during operation and may cause an injury.

To install the holder, turn it clockwise firmly until it stops while holding the holder joint.

► Fig.15: 1. Holder

To remove the holder, follow the installation procedure in reverse.

OPERATION

Using cartridge

Preparing cartridge for use

1. Cut the tip of the cartridge nozzle so that the suitable amount of caulking material is fed.

► Fig.16: 1. Nozzle

2. Make a hole on the protective film with the tip of the nozzle.

► Fig.17: 1. Nozzle

3. Attach the nozzle to the cartridge.

NOTICE: Be sure to check the cartridge for damage before installation. Using the damaged cartridge may cause malfunction.

NOTICE: When reusing the partially used cartridge, be sure to remove the solid caulking material before the installation.

Installing cartridge to 300 ml size holder

NOTICE: Make sure that piston A is attached to the rod. Do not use other type of piston for cartridge.

1. Pull the rod handle backward slowly until it stops.

► Fig.18: 1. Rod handle

2. Insert the cartridge into the holder as shown in the figure.

► Fig.19

3. Push the rod gently until the piston touches the bottom of cartridge.

To remove the cartridge, follow the installation procedure in reverse.

Installing cartridge to 600 ml or 800 ml size holder

NOTICE: Make sure that piston A (for 600 ml size holder) or piston D (for 800 ml size holder) is attached to the rod. Do not use other type of piston for cartridge.

1. Remove the holder cap from the holder, and then pull the rod handle backward slowly until it stops.

► Fig.20: 1. Holder cap 2. Rod handle

2. Insert the cartridge into the holder.

► Fig.21: 1. Holder

3. Attach the holder cap by turning it firmly while holding the holder.

► Fig.22: 1. Holder cap 2. Holder

4. Push the rod gently until the piston touches the bottom of cartridge.

To remove the cartridge, follow the installation procedure in reverse.

Using film type package

Preparing package for use

Cut off the tip of the package.

► Fig.23

NOTICE: Be sure to check the package for damage before installation. Using the damaged package may cause malfunction.

Installing film type package to 600 ml or 800 ml size holder

NOTICE: Make sure that piston B (for 600 ml size holder) or piston E (for 800 ml size holder) is attached to the rod. Do not use other type of piston for film type package.

1. Remove the holder cap, nozzle, and rubber ring from the holder.

► Fig.24: 1. Holder cap 2. Nozzle 3. Rubber ring
4. Holder

2. Pull the rod handle backward slowly until it stops.

3. Insert the package into the holder.

► Fig.25: 1. Holder

4. Attach the rubber ring, nozzle, and holder cap by turning the holder cap firmly.

► Fig.26: 1. Holder cap 2. Nozzle 3. Rubber ring
4. Holder

5. Push the rod gently until the piston touches the package.

To remove the package, remove the holder cap, nozzle, rubber ring, and then push the rod handle forward until it stops.

Direct filling

NOTICE: Make sure that 600 ml size holder is attached to the holder joint and piston C is attached to the rod. Do not use other type of holder and piston for direct filling.

1. Remove the holder cap, nozzle, and rubber ring from the holder.
▶ **Fig.27:** 1. Holder cap 2. Nozzle 3. Rubber ring 4. Holder
2. Push the rod handle all the way until it stops.
3. Insert the tip of the holder into the caulking material, and then pull the rod handle slowly to fill the holder with the caulking material.
▶ **Fig.28:** 1. Holder
4. Attach the rubber ring, nozzle, and holder cap by turning the holder cap firmly.
▶ **Fig.29:** 1. Holder cap 2. Nozzle 3. Rubber ring 4. Holder

Caulking operation

Pull the trigger to feed the caulking material. Put one hand under the holder to support the tool while operating it. After the operation, wipe off the caulking material from the tool. Be sure to remove the caulking material before it becomes solid.

NOTE: At the beginning of operation, set the speed adjusting dial to "1" and pull the switch trigger slowly to check how much amount of caulking material is fed.

NOTE: Depending on the type and conditions of caulking material, it may not be fed at low speed. In this case, set the speed adjusting dial higher.

NOTE: If the caulking material is not fed, check the following points:

- The tip of cartridge nozzle is not cut adequately.
- The caulking material is solid and clogged in the nozzle.
- The cartridge or package is damaged.
- The caulking material is stiff. Warm the material until it becomes soft.
- The attached piston is not appropriate for the type of caulking material.

MAINTENANCE

CAUTION: Always be sure that the tool is switched off and the battery cartridge is removed before attempting to perform inspection or maintenance.

NOTICE: Never use gasoline, benzine, thinner, alcohol or the like. Discoloration, deformation or cracks may result.

To maintain product SAFETY and RELIABILITY, repairs, any other maintenance or adjustment should be performed by Makita Authorized or Factory Service Centers, always using Makita replacement parts.

OPTIONAL ACCESSORIES

CAUTION: These accessories or attachments are recommended for use with your Makita tool specified in this manual. The use of any other accessories or attachments might present a risk of injury to persons. Only use accessory or attachment for its stated purpose.

If you need any assistance for more details regarding these accessories, ask your local Makita Service Center.

- Piston A
- Piston B
- Piston C
- Piston D
- Piston E
- 300ml size holder set
- 600ml size holder set
- 800ml size holder set
- Nozzle (for 600 ml size holder)
- Nozzle (for 800 ml size holder)
- Safety goggles
- Makita genuine battery and charger

NOTE: Some items in the list may be included in the tool package as standard accessories. They may differ from country to country.

SPECIFIKATIONER

Modell:		CG100D
Maximal matningshastighet		5 000 N
Matningshastighet		0 - 28 mm/s
Slag	Hållare för 300 ml	214 mm
	Hållare för 600 ml	350 mm
	Hållare för 800 ml	294 mm
Total längd	Hållare för 300 ml	404 mm
	Hållare för 600 ml	538 mm
	Hållare för 800 ml	480 mm
Märkspänning		10,8 V likström - 12 V max
Standardbatterikassett		BL1015 / BL1016 / BL1020B / BL1021B / BL1040B / BL1041B
Laddare		DC10SA / DC10SB / DC10WC / DC10WD
Nettovikt		1,9 - 2,6 kg

- På grund av vårt pågående program för forskning och utveckling kan dessa specifikationer ändras utan föregående meddelande.
- Specifikationer och batterikassett kan variera mellan olika länder.
- Vikten kan variera beroende på tillbehören, inklusive batterikassett. Den lättaste och den tyngsta kombinationen enligt EPTA-procedur 01/2014 visas i tabellen.

Avsedd användning

Denna maskin är avsedd för att lägga tätningsmassa på en yta.

Buller

Den normala bullernivån för A-belastning är bestämd enligt EN62841:

Ljudtrycksnivå (L_{pA}): 70 dB (A) eller lägre
Måttolerans (K): 3 dB (A)

Bullernivån vid arbete kan överstiga 80 dB (A).

OBS: Det deklarerade bullervärdet har uppmätts i enlighet med standardtestmetoden och kan användas för jämförandet av en maskin med en annan.

OBS: Det deklarerade bulleremissionsvärdet kan också användas i en preliminär bedömning av exponering för vibration.

⚠ VARNING: Använd hörselskydd.

⚠ VARNING: Bulleremissionen under faktisk användning av maskinen kan skilja sig från det deklarerade värdet, beroende på hur maskinen används och särskilt vilken typ av arbetsstycke som behandlas.

⚠ VARNING: Var noga med att identifiera säkerhetsåtgärder för att skydda användaren, vilka är grundade på en uppskattning av graden av exponering för vibrationer under de faktiska användningsförhållandena, (ta, förutom avtryckartiden, med alla delar av användarcykeln i beräkningen, som till exempel tiden då maskinen är avstängd och när den går på tomgång).

Vibration

Det totala vibrationsvärdet (treaxlad vektorsumma) bestämt enligt EN62841:

Arbetsläge: drift utan last

Vibrationsemission (a_h): 2,5 m/s² eller lägre

Måttolerans (K): 1,5 m/s²

OBS: Det deklarerade totala vibrationsvärdet har uppmätts i enlighet med standardtestmetoden och kan användas för jämförandet av en maskin med en annan.

OBS: Det deklarerade totala vibrationsvärdet kan också användas i en preliminär bedömning av exponering för vibration.

⚠ VARNING: Vibrationsemissionen under faktisk användning av maskinen kan skilja sig från det deklarerade värdet, beroende på hur maskinen används och särskilt vilken typ av arbetsstycke som behandlas.

⚠ VARNING: Var noga med att identifiera säkerhetsåtgärder för att skydda användaren, vilka är grundade på en uppskattning av graden av exponering för vibrationer under de faktiska användningsförhållandena, (ta, förutom avtryckartiden, med alla delar av användarcykeln i beräkningen, som till exempel tiden då maskinen är avstängd och när den går på tomgång).

EG-försäkran om överensstämmelse

Gäller endast inom EU

EG-försäkran om överensstämmelse inkluderas som bilaga A till denna bruksanvisning.

SÄKERHETSVARNINGAR

Allmänna säkerhetsvarningar för maskiner

⚠ VARNING: Läs alla säkerhetsvarningar, anvisningar, illustrationer och specifikationer som medföljer det här maskinen. Underlåtenhet att följa instruktionerna kan leda till elstötar, brand och/eller allvarliga personskador.

Spara alla varningar och instruktioner för framtida referens.

Termen "maskin" som anges i varningarna hänvisar till din eldrivna maskin (sladdanslutningen) eller batteridrivna maskin (sladdlös).

Säkerhetsvarningar för sladdlös fogspruta

1. Håll händer och klädesplagg borta från stängen och kolvens område. Annars kan ditt finger eller kläder råka i kläm.
2. Håll verktyget i ett fast grepp.
3. Arbeta alltid i ett välventilerat område och bär lämplig skyddsutrustning under arbetet.
4. Läs igenom tillverkarens instruktioner rörande tätnings- eller lim-material före användning.

SPARA DESSA ANVISNINGAR.

⚠ VARNING: GLÖM INTE att också fortsättningsvis strikt följa säkerhetsanvisningarna för maskinen även efter att du blivit van att använda den. Vid FELAKTIG HANTERING av maskinen eller om inte säkerhetsanvisningarna i denna bruksanvisning följs kan följden bli allvarliga personskador.

Viktiga säkerhetsanvisningar för batterikassetten

1. Innan batterikassetten används ska alla instruktioner och varningsmärken på (1) batteriladdaren, (2) batteriet och (3) produkten läsas.
2. Montera inte isär batterikassetten.
3. Om drifttiden blivit avsevärt kortare ska användningen avbrytas omedelbart. Det kan uppstå överhettning, brännskador och t o m explosion.
4. Om du får elektrolyt i ögonen ska de sköljas med rent vatten och läkare uppsökas omedelbart. Det finns risk för att synen förloras.
5. Kortslut inte batterikassetten.
 - (1) Rör inte vid polerna med något strömförande material.
 - (2) Undvik att förvara batterikassetten tillsammans med andra metallobjekt som t.ex. spikar, mynt o.s.v.
 - (3) Skydda batteriet mot vatten och regn.

En batterikortslutning kan orsaka ett stort strömflöde, överhettning, brand och maskinhaveri.

6. Förvara inte maskinen och batterikassetten på platser där temperaturen kan nå eller överstiga 50 °C.
7. Bränn inte upp batterikassetten även om den är svårt skadad eller helt utsliten. Batterikassetten kan explodera i öppen eld.
8. Var försiktig så att du inte råkar tappa batteriet och utsätt det inte för stöt.
9. Använd inte ett skadat batteri.
10. De medföljande litiumjonbatterierna är föremål för kraven i gällande lagstiftning för farligt gods.

För kommersiella transporter (av t.ex. tredje parter som speditiionsfirmor) måste de särskilda transportkrav som anges på emballaget och etiketter iakttagas.

För att förbereda den produkt som ska avsändas krävs att du konsulterar en expert på riskmaterial. Var också uppmärksam på att det i ditt land kan finnas ytterligare föreskrifter att följa.

Tejpa över eller maskera blottade kontakter och packa batteriet på sådant sätt att det inte kan röra sig fritt i förpackningen.

11. När batterikassetten ska kasseras måste den tas bort från maskinen och kasseras på ett säkert sätt. Följ lokala föreskrifter beträffande avfallshandling av batteriet.
12. Använd endast batterierna med de produkter som specificerats av Makita. Att använda batterierna med ej godkända produkter kan leda till brand, överdriven värme, explosion eller utläckande elektrolyt.
13. Om maskinen inte används under en lång tid måste batteriet tas bort från maskinen.

SPARA DESSA ANVISNINGAR.

⚠ FÖRSIKTIGT: Använda endast äkta Makita-batterier. Användning av oäkta Makita-batterier eller batterier som har manipulerats kan leda till person- och utrustningsskador eller till att batteriet fattar eld. Det upphäver också Makitas garanti för verktyget och laddaren.

Tips för att uppnå batteriets maximala livslängd

1. Ladda batterikassetten innan den är helt urladdad. Stanna alltid maskinen och ladda batterikassetten när du märker att maskinen blir svagare.
2. Ladda aldrig en fulladdad batterikasset. Överladdning förkortar batteriets livslängd.
3. Ladda batterikassetten vid en rumstemperatur på 10 °C - 40 °C. Låt en varm batterikasset svalna innan den laddas.

FUNKTIONSBESKRIVNING

⚠ FÖRSIKTIGT: Se alltid till att maskinen är avstängd och batterikassetten borttagen innan du justerar maskinen eller kontrollerar dess funktioner.

Montera eller demontera batterikassetten

⚠ FÖRSIKTIGT: Stäng alltid av maskinen innan du monterar eller tar bort batterikassetten.

⚠ FÖRSIKTIGT: Håll stadigt i maskinen och batterikassetten när du monterar eller tar bort batterikassetten. I annat fall kan det leda till att de glider ur dina händer och orsakar skada på maskinen och batterikassetten samt personskada.

► **Fig. 1:** 1. Röd indikator 2. Knapp 3. Batterikassett

Ta bort batterikassetten genom att skjuta ner knappen på kassettsens framsida samtidigt som du drar ut batterikassetten.

Sätt in batterikassetten genom att rikta in tungan på batterikassetten mot spåret i höljets och skjut den på plats. Tryck in batterikassetten ordentligt tills den låser fast med ett klick. Om du kan se den röda indikatorn på knappens ovansida är den inte låst ordentligt.

⚠ FÖRSIKTIGT: Sätt alltid in batterikassetten helt tills den röda indikatorn inte längre syns. I annat fall kan den oväntat falla ur maskinen och skada dig eller någon annan.

⚠ FÖRSIKTIGT: Montera inte batterikassetten med våld. Om kassetten inte lätt glider på plats är den felinställd.

Skyddssystem för batteri

Maskinen är utrustad med ett batteriskyddssystem. Detta system bryter automatiskt strömmen till motorn för att förlänga batteriets livslängd.

Maskinen stoppas automatiskt under pågående användning om någon av följande situationer uppstår:

Överbelastning:

Maskinen används på ett sätt som gör att den förbrukar onormalt mycket ström.

När detta sker stänger du av maskinen och upphör med arbetet som gjorde att maskinen överbelastades. Starta därefter upp maskinen igen.

Om maskinen inte startar är batteriet överhettat. Låt då batteriet svalna innan du startar maskinen igen.

Batterispänningen faller:

Den kvarvarande batterikapaciteten är för låg och maskinen fungerar inte. Om du trycker in avtryckaren går motorn igång men stannar snart igen. I detta läge tar du bort batteriet och laddar det.

Indikerar kvarvarande batterikapacitet

Endast för batterikassetter med indikator

► **Fig. 2:** 1. Indikatorlampor 2. Kontrollknapp

Tryck på kontrollknappen på batterikassetten för att se kvarvarande batterikapacitet. Indikatorlamporna lyser i ett par sekunder.

Indikatorlampor		Återstående kapacitet
Upplyst	Av	
■ ■ ■ ■		75% till 100%
■ ■ ■ □		50% till 75%
■ ■ □ □		25% till 50%
■ □ □ □		0% till 25%

OBS: Beroende på användningsförhållanden och den omgivande temperaturen kan indikationen skilja sig lätt från den faktiska batterikapaciteten.

Avtryckarens funktion

⚠ VARNING: Innan du sätter in batterikassetten i maskinen ska du kontrollera att avtryckaren fungerar och återgår till läget "OFF" när du släpper den.

► **Fig. 3:** 1. Avtryckare 2. Startspärr

Startspärrer förhindrar att verktyget startas oavsiktligt. Tryck in läsknappen för avtryckaren från sidan A och tryck sedan in avtryckaren för att starta maskinen. Hastigheten ökas genom att trycka hårdare på avtryckaren. Släpp avtryckaren för att stoppa maskinen. Tryck in startspärrer från sidan B efter användning.

Ratt för hastighetsinställning

► **Fig. 4:** 1. Ratt för hastighetsinställning

Maskinhastigheten kan ställas in genom att vrida på rattan för hastighetsinställning. Hastigheten blir högst vid 5 och lägst vid 1.

OBSERVERA: Vrid inte rattan snabbt när maskinen arbetar.

OBSERVERA: Beroende på fogmassans typ och tillstånd kan den kanske inte matas vid låg hastighet. Ställ i sådana fall in rattan för hastighetsjustering högre.

OBSERVERA: Vid byte på hastighetsrattan från "5" till "1", vrid rattan moturs. Vrid inte rattan medurs med våld.

Tända frontlampan

⚠ FÖRSIKTIGT: Titta inte in i ljuset eller direkt i ljuskällan.

► **Fig. 5:** 1. Lampa

För att tända lampan trycker du lätt in avtryckaren och släpper den. Lampan slocknar ungefär 10 sekunder efter att du har släppt avtryckaren.

OBSERVERA: Lampan blinkar när maskinen är överhettad. Låt maskinen svalna fullständigt innan den används igen.

OBS: Använd en torr trasa för att torka bort smuts från lampglasat. Var försiktig så att inte lampglasat repas eftersom ljuset då kan bli svagare.

Varningslampa för överlast

► **Fig.6:** 1. Varningslampa

Varningslampan blinkar när maskinen är överbelastad. Om belastningen ökar och maskinen blir överbelastad stannar maskinen automatiskt och varningslampan lyser. Släpp i detta fall avtryckaren och avlägsna orsaken till överbelastningen. Starta därefter om maskinen.

OBS: Kontrollera följande punkter när varningslampan blinkar:

- Fogmassan är klumpad.
- Ratten för hastighetsjustering är inställd på hög hastighet.
- Munstyckets öppning är för liten.

Funktion för att förhindra dropp

Motorn fortsätter gå under en kort tid även efter att avtryckaren släppts. Det släpper trycket på fogmassan och förhindrar dropp.

MONTERING

⚠FÖRSIKTIGT: Se alltid till att maskinen är avstängd och batterikassetten borttagen innan du underhåller maskinen.

Montera eller demontera hållare för 300 ml

Montera eller demontera hållarfästet

Fäst hållarfästet och plattan genom att skruva fast skruvarna ordentligt. För att ta bort hållarfästet följer du monteringsinstruktionerna i omvänd ordning.

► **Fig.7:** 1. Skruv 2. Platta 3. Hållarfäste

Montera eller demontera stång och kolv

1. För in stängen bakifrån på maskinen med tänderna vända nedåt.

► **Fig.8:** 1. Kort stång

2. Fäst kolv A med skruven.

► **Fig.9:** 1. Skruv 2. Kolv A 3. Kort stång

OBSERVERA: Tillgängliga typer av fogmassebehållare för hållare för 300 ml är endast patron. Se till att fästa kolv A till stängen.

Gör på omvänt sätt för att ta bort stång och kolv.

Montera eller demontera hållaren

⚠FÖRSIKTIGT: Sätt fast hållaren ordentligt i hållarfästet. I annat fall kan hållaren lossa vid drift och orsaka skada.

För att montera hållaren, vrid den stadigt medurs tills det tar stopp, samtidigt som du håller hållarfästet stilla. För att ta bort hållaren följer du monteringsinstruktionerna i omvänd ordning.

► **Fig.10:** 1. Hållare

Montera eller demontera hållare för 600 ml eller 800 ml

Montera eller demontera hållarfästet

Fäst hållarfästet och plattan genom att skruva fast skruvarna ordentligt. För att ta bort hållarfästet följer du monteringsinstruktionerna i omvänd ordning.

För hållare för 600 ml

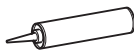




► **Fig.11:** 1. Skruv 2. Platta 3. Hållarfäste

För hållare för 800 ml

► **Fig.12:** 1. Skruv 2. Hållarfäste och platta

Välja typ av kolv

Välj korrekt kolvtyp för fogmassebehållaren enligt följande tabell:

	Hållare för 600 ml	Hållare för 800 ml
Patron	Kolv A 	Kolv D 
Filmförpackning	Kolv B 	Kolv E* 
Direkt fyllning	Kolv C 	-

*. Extra tillbehör

Montera eller demontera stång och kolv

1. För in stängen bakifrån på maskinen med tänderna vända nedåt.

► **Fig.13:** 1. Lång stång eller svart stång

OBSERVERA: För hållare för 600 ml, använd den långa stängen. För hållare för 800 ml, använd den svarta stängen.

2. Fäst kolven med skruven.

► **Fig.14:** 1. Skruv 2. Kolv 3. Lång stång eller svart stång

Gör på omvänt sätt för att ta bort stång och kolv.

Montera eller demontera hållare för 600 ml eller 800 ml

⚠ FÖRSIKTIGT: Sätt fast hållaren ordentligt i hållarfästet. I annat fall kan hållaren lossa vid drift och orsaka skada.

För att montera hållaren, vrid den stadigt medurs tills det tar stopp, samtidigt som du håller hållarfästet stilla.

► Fig.15: 1. Hållare

För att ta bort hållaren följer du monteringsinstruktionerna i omvänd ordning.

ANVÄNDNING

Använda patron

Förbereda patron för användning

1. Kapa spetsen på patronens munstycke så att lämplig mängd fogmassa matas ut.

► Fig.16: 1. Munstycke

2. Gör ett hål i skyddsfilmerna med munstyckets spets.

► Fig.17: 1. Munstycke

3. Sätt fast munstycket på patronen.

OBSERVERA: Kontrollera patronen avseende skada innan montering. Använda en skadad patron kan leda till felfunktion.

OBSERVERA: Vid återanvändning av delvis förbrukad patron, se till att ta bort torkad fogmassa innan montering.

Montera patron i hållare för 300 ml

OBSERVERA: Se till att kolv A är fästsatt på stängsen. Använd ingen annan typ av kolv för patroner.

1. Drag stängsens handtag långsamt bakåt tills den når ändläget.

► Fig.18: 1. Stånghandtag

2. Sätt in patronen i hållaren enligt figuren.

► Fig.19

3. Tryck in stängsen försiktigt tills kolven vidrör patronens botten.

För att ta bort patronen följer du monteringsinstruktionerna i omvänd ordning.

Montera patron i hållare för 600 ml eller 800 ml

OBSERVERA: Se till att kolv A (för hållare för 600 ml) eller kolv D (för hållare för 800 ml) är fästsatt på stängsen. Använd ingen annan typ av kolv för patroner.

1. Ta bort hållarlocket från hållaren och dra tillbaka stängsen sakta tills det tar stopp.

► Fig.20: 1. Hållarlock 2. Stånghandtag

2. Sätt in patronen i hållaren.

► Fig.21: 1. Hållare

3. Fäst hållarlocket genom att vrida det stadigt samtidigt som du håller fast hållaren.

► Fig.22: 1. Hållarlock 2. Hållare

4. Tryck in stängsen försiktigt tills kolven vidrör patronens botten.

För att ta bort patronen följer du monteringsinstruktionerna i omvänd ordning.

Använda förpackning av filmtyp

Förbereda förpackning för användning

Skär av förpackningens spets.

► Fig.23

OBSERVERA: Kontrollera förpackningen avseende skada innan montering. Använda en skadad förpackning kan leda till felfunktion.

Montera förpackning av filmtyp i hållare för 600 ml eller 800 ml

OBSERVERA: Se till att kolv B (för hållare för 600 ml) eller kolv E (för hållare för 800 ml) är fästsatt på stängsen. Använd ingen annan typ av kolv för förpackningar av filmtyp.

1. Ta bort hållarlocket, munstycket och gummiringen från hållaren.

► Fig.24: 1. Hållarlock 2. Munstycke 3. Gummiring 4. Hållare

2. Drag stängsens handtag långsamt bakåt tills den når ändläget.

3. Sätt in förpackningen i hållaren.

► Fig.25: 1. Hållare

4. Fäst gummiringen, munstycket och hållarlocket genom att vrida ordentligt på hållarlocket.

► Fig.26: 1. Hållarlock 2. Munstycke 3. Gummiring 4. Hållare

5. Tryck in stängsen försiktigt tills kolven vidrör förpackningen.

För att ta bort förpackningen, ta bort hållarlocket, munstycket och gummiringen och tryck därefter stånghandtaget framåt tills det tar stopp.

Direkt fyllning

OBSERVERA: Se till att hållaren för 600 ml är fäst på hållarfästet och att kolv C är fäst på stängsen. Använd ingen annan typ av hållare och kolv för direkt fyllning.

1. Ta bort hållarlocket, munstycket och gummiringen från hållaren.

► Fig.27: 1. Hållarlock 2. Munstycke 3. Gummiring 4. Hållare

2. Tryck stängsens handtag hela vägen tills det tar stopp.

3. För in hållarens spets i fogmassan och dra sedan försiktigt i stånghandtaget för att fylla hållaren med fogmassan.

► **Fig.28:** 1. Hållare

4. Fäst gummiringen, munstycket och hållarlocket genom att vrida ordentligt på hållarlocket.

► **Fig.29:** 1. Hållarlock 2. Munstycke 3. Gummiring
4. Hållare

Fogning

Tryck in avtryckaren för att mata ut fogmassa. Placera en hand under hållaren för att stödja maskinen när du använder den.

Torka efter användning av fogmassa från maskinen. Se till att ta bort fogmassan innan den stelnar.

OBS: När du påbörjar arbetet, ställ in ratten för hastighetsjustering på "1" och tryck sakt på avtryckaren för att kontrollera hur mycket fogmassa som matas ut.

OBS: Beroende på fogmassans typ och tillstånd kan den kanske inte matas vid låg hastighet. Ställ i sådana fall in ratten för hastighetsjustering högre.

OBS: Om fogmassa inte matas ut ska följande punkter kontrolleras:

- Munstyckets spets är inte kapad eller kapad för lite.
- Fogmassan har stelnat och satt igen munstycket.
- Patronen eller förpackningen är skadad.
- Fogmassan är stel. Värm materialet tills det mjuknar.
- Den monterade kolven är inte avsedd för typen av fogmassa.

UNDERHÅLL

⚠FÖRSIKTIGT: Se alltid till att maskinen är avstängd och batterikassetten borttagen innan inspektion eller underhåll utförs.

OBSERVERA: Använd inte bensin, förtunningsmedel, alkohol eller liknande. Missfärgning, deformation eller sprickor kan uppstå.

För att upprätthålla produktens SÄKERHET och TILLFÖRLITLIGHET bör allt underhålls- och justeringsarbete utföras av ett auktoriserat Makita servicecenter och med reservdelar från Makita.

VALFRIA TILLBEHÖR

⚠FÖRSIKTIGT: Följande tillbehör eller tillsatser rekommenderas för användning med den Makita-maskin som denna bruksanvisning avser. Om andra tillbehör eller tillsatser används kan det uppstå risk för personsador. Använd endast tillbehören eller tillsatserna för de syften de är avsedda för.

Kontakta ditt lokala Makita servicecenter om du behöver ytterligare information om dessa tillbehör.

- Kolv A
- Kolv B
- Kolv C
- Kolv D
- Kolv E
- Hållarsats för 300 ml
- Hållarsats för 600 ml
- Hållarsats för 800 ml
- Munstycke (för hållare för 600 ml)
- Munstycke (för hållare för 800 ml)
- Skyddsglasögon
- Makitas originalbatteri och -laddare

OBS: Några av tillbehören i listan kan vara inkluderade i maskinpaketet som standardtillbehör. De kan variera mellan olika länder.

TEKNISKE DATA

Modell:		CG100D
Maks. fremføringskraft		5 000 N
Fremføringskraft		0 - 28 mm/s
Slaglengde	Holder størrelse 300 ml	214 mm
	Holder størrelse 600 ml	350 mm
	Holder størrelse 800 ml	294 mm
Total lengde	Holder størrelse 300 ml	404 mm
	Holder størrelse 600 ml	538 mm
	Holder størrelse 800 ml	480 mm
Nominell spenning		DC 10,8 V - 12 V maks
Standard batteriinnsett		BL1015 / BL1016 / BL1020B / BL1021B / BL1040B / BL1041B
Lader		DC10SA / DC10SB / DC10WC / DC10WD
Nettovekt		1,9 - 2,6 kg

- På grunn av vårt kontinuerlige forsknings- og utviklingsprogram kan spesifikasjonene som oppgis i dette dokumentet endres uten varsel.
- Spesifikasjoner og batteriinnsett kan variere fra land til land.
- Vekten kan variere avhengig av tilbehøret/tilbehørene, inkludert batteriet. Den letteste og tyngste kombinasjonen, i henhold til EPTA-prosedyre 01/2014, vises i tabellen.

Riktig bruk

Dette verktøyet er laget for å påføre tettingsmateriale på overflater.

Støy

Typisk A-vektet lydtrykknivå er bestemt i henhold til EN62841:

Lydtrykknivå (L_{pA}): 70 dB (A) eller mindre
Usikkerhet (K): 3 dB (A)

Støynivået under arbeid kan overskride 80 dB (A).

MERK: Den/de oppgitte verdien(e) for genererte vibrasjoner har blitt målt i henhold til standard testmetoder, og kan bli brukt til å sammenligne ett verktøy med et annet.

MERK: Den/de angitte verdien(e) for de genererte vibrasjonene kan også brukes til en foreløpig vurdering av eksponeringen.

⚠ ADVARSEL: Bruk hørselsvern.

⚠ ADVARSEL: De genererte vibrasjonene ved faktisk bruk av elektroverktøyet kan avvike fra den/de angitte vibrasjonsverdien(e), avhengig av hvordan verktøyet brukes.

⚠ ADVARSEL: Sørg for å identifisere vernetiltak for å beskytte operatøren, som er basert på et estimat av eksponeringen under de faktiske bruksforholdene (idet det tas hensyn til alle deler av driftssyklusen, dvs. hvor lenge verktøyet er slått av, hvor lenge det går på tomgang og hvor lenge startbryteren faktisk holdes trykket).

Vibrasjoner

Den totale vibrasjonsverdien (triaksial vektorsum) bestemt i henhold EN62841:

Arbeidsmodus: drift uten belastning
Genererte vibrasjoner (a_n): 2,5 m/s² eller mindre
Usikkerhet (K): 1,5 m/s²

MERK: Den/de oppgitte verdien(e) for totalt genererte vibrasjoner har blitt målt i henhold til standard testmetoder, og kan bli brukt til å sammenligne ett verktøy med et annet.

MERK: Den/de angitte verdien(e) for totalt genererte vibrasjoner kan også brukes til en foreløpig vurdering av eksponeringen.

⚠ ADVARSEL: De genererte vibrasjonene ved faktisk bruk av elektroverktøyet kan avvike fra den/de angitte vibrasjonsverdien(e), avhengig av hvordan verktøyet brukes og spesielt i forhold til arbeidsstykket som blir behandlet.

⚠ ADVARSEL: Sørg for å identifisere vernetiltak for å beskytte operatøren, som er basert på et estimat av eksponeringen under de faktiske bruksforholdene (idet det tas hensyn til alle deler av driftssyklusen, dvs. hvor lenge verktøyet er slått av, hvor lenge det går på tomgang og hvor lenge startbryteren faktisk holdes trykket).

EFs samsvarserklæring

Gjelder kun for land i Europa

EFs samsvarserklæring er lagt til som vedlegg A i denne bruksanvisningen.

SIKKERHETSADVARSEL

Generelle advarsler angående sikkerhet for elektroverktøy

⚠ADVARSEL: Les alle sikkerhetsadvarsler, instruksjoner, illustrasjoner og spesifikasjoner som følger med dette elektroverktøyet. Hvis ikke alle instruksjonene nedenfor følges, kan det forekomme elektrisk støt, brann og/eller alvorlig skade.

Oppbevar alle advarsler og instruksjoner for senere bruk.

Uttrykket «elektrisk verktøy» i advarslene refererer både til elektriske verktøy (med ledning) tilkoblet strømmettet, og batteridrevne verktøy (uten ledning).

Sikkerhetsadvarsler for trådløs tettingspistol

1. Hold hender og klær unna stangen og stempelområdet. Ellers kan fingrene eller klærne komme i klem.
2. Hold godt tak i verktøyet.
3. Arbeid alltid på et godt ventilert sted, og bruk riktig verneutstyr som egner seg til bruken.
4. Les og følg produsentens instruksjoner for tettingsmaterialet eller bindematerialet før bruk.

TA VARE PÅ DISSE INSTRUKSENE.

⚠ADVARSEL: IKKE LA hensynet til hva som er "behagelig" eller det faktum at du kjenner produktet godt (etter mange gangers bruk) gjøre deg mindre oppmerksom på sikkerhetsreglene for bruken av det aktuelle produktet. Ved MISBRUK eller hvis ikke sikkerhetsreglene i denne bruksanvisningen følges, kan det oppstå alvorlig personskade.

Viktige sikkerhetsanvisninger for batteriinnsetts

1. Før du begynner å bruke batteriet, må du lese alle anvisninger og forsiktighetsregler på (1) batteriladeren, (2) batteriet og (3) det produktet batteriet skal brukes i.
2. Ikke ta fra hverandre batteriet.
3. Hvis driftstiden er blitt vesentlig kortere, må du omgående slutte å bruke maskinen. Hvis ikke kan resultatet bli overoppheting, mulige forbrenninger eller til og med en eksplosjon.
4. Hvis du får elektrolytt i øynene, må du skylle dem med store mengder rennende vann og oppsøke lege med én gang. Denne typen uhell kan føre til varig blindhet.
5. Ikke kortslutt batteriet:
 - (1) De kan være ekstremt varme og du kan brenne deg.
 - (2) Ikke lagre batteriet i samme beholder som andre metallgjenstander, som for eksempel spiker, mynter osv.
 - (3) Ikke la batteriet komme i kontakt med vann eller regn.

En kortslutning av batteriet kan føre til et kraftig strømstøt, overoppheting, mulige forbrenninger og til og med til at batteriet går i stykker.

6. Ikke lagre maskinen og batteriet på steder hvor temperaturen kan komme opp i eller overskride 50 °C.
7. Ikke sett fyr på batteriet, ikke engang om det er sterkt skadet eller helt utslitt. Batteriet kan eksplodere hvis det begynner å brenne.
8. Vær forsiktig så du ikke mister batteriet eller utsetter det for slag.
9. Ikke bruk batterier som er skadet.
10. Lithium-ion-batteriene som medfølger er gjenstand for krav om spesialavfall. For kommersiell transport, f.eks. av tredjeparter eller speditører, må spesielle krav om pakking og merking følges. Før varen blir sendt, må du forhøre deg med en ekspert på farlig materiale. Ta også hensyn til muligheten for mer detaljerte nasjonale bestemmelser. Bruk teip eller maskeringsteip for å skjule åpne kontakter og pakk inn batteriet på en slik måte at den ikke kan bevege seg rundt i emballasjen.
11. Når du kasserer batteriinnsettsen, må du ta den ut av verktøyet og avhende den på et sikkert sted. Følg lokale bestemmelser for avhending av batterier.
12. Bruk batteriene kun med produkter spesifisert av Makita. Montere batteriene i produkter som ikke er konforme kan føre til brann, overheting eller elektrolyttlekkasje.
13. Hvis verktøyet ikke skal brukes over en lengre periode, må batteriet tas ut av verktøyet.

TA VARE PÅ DISSE INSTRUKSENE.

⚠FORSIKTIG: Bruk kun originale Makita-batterier. Bruk av batterier som har endret seg, eller som ikke er originale Makita-batterier, kan føre til at batteriet sprekker og forårsaker brann, personskader og andre skader. Det vil også ugyldiggjøre garantien for Makita-verktøyet og -laderen.

Tips for å opprettholde maksimal batterilevetid

1. Lad batteriinnsettsen før den er helt utladet. Stopp alltid driften av verktøyet og lad batteriinnsettsen når du merker at effekten reduseres.
2. Lad aldri en batteriinnsettsen som er fulladet. Overopplading forkorter batteriets levetid.
3. Lad batteriet i romtemperatur ved 10 °C - 40 °C. Et varmt batteri må kjøles ned før lading.

FUNKSJONSBEKRIVELSE

⚠️FORSIKTIG: Forviss deg alltid om at maskinen er slått av og batteriet tatt ut før du justerer maskinen eller kontrollerer dens mekaniske funksjoner.

Sette inn eller ta ut batteri

⚠️FORSIKTIG: Slå alltid av verktøyet før du setter inn eller fjerner batteriet.

⚠️FORSIKTIG: Hold verktøyet og batteripatronen i et fast grep når du monterer eller fjerner batteripatronen. Hvis du ikke holder verktøyet og batteripatronen godt fast, kan du miste grepet, og dette kan føre til skader på verktøyet og batteripatronen samt personskader.

► Fig.1: 1. Rød indikator 2. Knapp 3. Batteriinnsetts

For å ta ut batteriet må du skyve på knappen foran på batteriet og trekke det ut.

Når du skal sette inn batteriet, må du plassere tungen på batteriet på linje med sporet i huset og skyve batteriet på plass. Skyv det helt inn til det går i inngrep med et lite klikk. Hvis du kan se den røde anviseren på oversiden av knappen, er det ikke fullstendig låst.

⚠️FORSIKTIG: Batteriet må alltid settes helt inn, så langt at den røde anviseren ikke lenger er synlig. Hvis dette ikke gjøres, kan batteriet komme til å falle ut av maskinen og skade deg eller andre som oppholder seg i nærheten.

⚠️FORSIKTIG: Ikke bruk makt når du setter i batteriet. Hvis batteriet ikke glir lett inn, er det fordi det ikke settes inn på riktig måte.

Batteribeskyttelsessystem

Verktøyet er utstyrt med et batterivernsystem. Dette systemet slår automatisk av strømmen til motoren for å forlenge batteriets levetid.

Verktøyet stopper automatisk ved drift hvis det og/eller batteriet utsettes for en av følgende tilstander:

Overbelastning:

Verktøyet brukes på en måte som gjør at det trekker uvanlig mye strøm. I dette tilfellet må du slå av verktøyet og avslutte bruken som forårsaket at verktøyet ble overbelastet. Slå deretter verktøyet på for å starte det igjen.

Hvis verktøyet ikke starter, er batteriet overbelastet. I så fall må du la batteriet kjøle seg ned før du slår verktøyet på igjen.

Lav batterispenning:

Gjenværende batterikapasitet er for lav og verktøyet vil ikke fungere. Når du starter verktøyet, starter motoren, men den stopper like etterpå. I dette tilfellet, fjern og lad batteriet opp igjen.

Indikere gjenværende batterikapasitet

Kun for batterier med indikatoren

► Fig.2: 1. Indikatorlamper 2. Kontrollknapp

Trykk på sjekk-knappen på batteriet for vise gjenværende batterikapasitet. Indikatorlampene lyser i et par sekunder.

Indikatorlamper		Gjenværende batterinivå
Tent	Av	
		75% til 100%
		50% til 75%
		25% til 50%
		0% til 25%

MERK: Det angitte nivået kan avvike noe fra den faktiske kapasiteten alt etter bruksforholdene og den omgivende temperaturen.

Bryterfunksjon

⚠️ADVARSEL: Før du setter batteriet inn i maskinen, må du alltid kontrollere at startbryteren aktiverer maskinen på riktig måte og går tilbake til «AV»-stilling når den slippes.

► Fig.3: 1. Startbryter 2. Låseknapp

Verktøyet er utstyrt med en låseknapp, som hindrer at startbryteren trykkes inn ved en feiltakelse. Når du skal bruke verktøyet, trykker du inn låseknappen fra side A, og deretter trykker du på startbryteren. Verktøyet hastighet øker når du trykker hardere på startbryteren. Slipp startbryteren for å stanse verktøyet. Trykk inn låseknappen fra side B når du er ferdig med å bruke verktøyet.

Hastighetsinnstillingshjul

► Fig.4: 1. Hastighetsinnstillingshjul

Verktøyhastigheten kan justeres ved å dreie på hastighetsinnstillingshjulet. 5 er høyeste hastighet og 1 er laveste hastighet.

OBS: Ikke dreie hjulet raskt når verktøyet er i drift.

OBS: Avhengig av typen og tilstanden til tettingsmaterialet, kan det hende at det ikke fremføres ved lav hastighet. I så fall må du øke innstillingen på hastighetsinnstillingshjulet.

OBS: Når du skal bevege hastighetshjulet fra "5" til "4", dreier du hjulet mot klokken. Ikke bruk makt for å dreie hjulet med klokken.

Tenne frontlampen

⚠FORSIKTIG: Ikke se inn i lyset eller se direkte på lyskilden.

► Fig.5: 1. Lampe

Tenn lampen ved å trekke lett i startbryteren og så slippe den. Lampen slukkes omtrent 10 sekunder etter at startbryteren er sluppet.

OBS: Hvis maskinen blir overopphetet, flimrer lampen. Kjøøl ned maskinen helt før den brukes igjen.

MERK: Bruk en tørr klut til å tørke støv osv. av lampelinsen. Vær forsiktig så det ikke blir riper i lampelinsen, da dette kan redusere lysstyrken.

Varsellampe for overbelastning

► Fig.6: 1. Varsellampe

Varsellampen blinker når verktøyet er under høy belastning. Hvis belastningen øker og verktøyet blir overbelastet, stanser verktøyet automatisk, og varsellampen fortsetter å lyse. I så fall må du slippe startbryteren og fjerne årsaken til overbelastningen, og deretter starter du verktøyet på nytt.

MERK: Når varsellampen blinker, kontrollerer du følgende punkter:

- Tettingsmaterialet er tilstoppet.
- Hastighetsinnstillingshjulet er stilt inn på høy hastighet.
- Skjæreområdet til spissen på patronmunnstykket eller filmtypepakken er for lite.

Dryppforebyggende funksjon

Motoren fortsetter å svive en liten stund selv etter at bryteren er sluppet. Den frigjør trykket til tettingsmaterialet og hindrer drypp.

MONTERING

⚠FORSIKTIG: Forviss deg alltid om at maskinen er slått av og batteriet tatt ut før du utfører noe arbeid på maskinen.

Montere eller demontere holder størrelse 300 ml

Montere eller fjerne holderfestet

Fest holderfestet og platen ved å stramme skruene godt. Følg monteringsprosedyren i motsatt rekkefølge for å fjerne holderfestet.

► Fig.7: 1. Skruer 2. Plate 3. Holderfeste

Montere eller demontere stangen og stampelet

1. Sett inn stangen fra baksiden av verktøyet med tennene vendt ned.

► Fig.8: 1. Kort stang

2. Fest stempel A med skruen.

► Fig.9: 1. Skruer 2. Stempel A 3. Kort stang

OBS: Beholdertype for tettingsmateriale for holder størrelse 300 ml er kun patron. Sørg for å feste stempel A til stangen.

Følg monteringsprosedyren i motsatt rekkefølge for å fjerne stangen og stampelet.

Montere eller fjerne holderen

⚠FORSIKTIG: Fest holderen godt til holderfestet. Ellers kan holderen løsne under drift og forårsake skade.

Når du skal montere holderen, dreier du den bestemt mot klokken til den stanser, samtidig som du holder i holderfestet. Følg monteringsprosedyren i motsatt rekkefølge for å fjerne holderen.

► Fig.10: 1. Holder

Montere eller demontere holder størrelse 600 ml eller 800 ml

Montere eller fjerne holderfestet

Fest holderfestet og platen ved å stramme skruene godt. Følg monteringsprosedyren i motsatt rekkefølge for å fjerne holderfestet.

For holder størrelse 600 ml






► Fig.11: 1. Skruer 2. Plate 3. Holderfeste

For holder størrelse 800 ml

► Fig.12: 1. Skruer 2. Holderfeste og plate

Velg stempeltyppe

Velg riktig stempeltyppe ifølge beholderen for tettingsmateriale, i henhold til følgende tabell.

	Holder størrelse 600 ml	Holder størrelse 800 ml
Patron	Stempel A 	Stempel D 
Filmpakke	Stempel B 	Stempel E * 
Direkte fylling	Stempel C 	-

*. Valgfritt tilbehør

Montere eller demontere stangen og stampelet

1. Sett inn stangen fra baksiden av verktøyet med tennene vendt ned.

► **Fig.13:** 1. Lang stang eller svart stang

OBS: Bruk den lange stangen for holder størrelse 600 ml. Bruk den svarte stangen for holder størrelse 800 ml.

2. Fest stampelet med skruen.

► **Fig.14:** 1. Skru 2. Stempel 3. Lang stang eller svart stang

Følg monteringsprosedyren i motsatt rekkefølge for å fjerne stangen og stampelet.

Montere eller demontere holder størrelse 600 ml eller 800 ml

⚠FORSIKTIG: Fest holderen godt til holderfestet. Ellers kan holderen løsne under drift og forårsake skade.

Når du skal montere holderen, dreier du den bestemt mot klokken til den stanser, samtidig som du holder i holderfestet.

► **Fig.15:** 1. Holder

Følg monteringsprosedyren i motsatt rekkefølge for å fjerne holderen.

BRUK

Bruke patron

Klargjøre patron for bruk

1. Kutt spissen av patronmunnstykket slik at passe mengde tettingsmateriale fremføres.

► **Fig.16:** 1. Munnstykke

2. Lag et hull i beskyttelsesfilmen med spissen på munnstykket.

► **Fig.17:** 1. Munnstykke

3. Fest munnstykket på patronen.

OBS: Kontroller at patronen ikke er skadet før du monterer den. Hvis du bruker en skadet patron, kan det føre til funksjonsfeil.

OBS: Når du bruker den delvis brukte patronen på nytt, må du fjerne det størknede tettingsmaterialet før montering.

Montere patron på holder størrelse 300 ml

OBS: Kontroller at stempel A er festet til stangen. Ikke bruk andre stempeltypen for patroner.

1. Trekk stanghåndtaket sakte bakover til det stanser.

► **Fig.18:** 1. Stanghåndtak

2. Sett patronen inn i holderen som vist i figuren.

► **Fig.19**

3. Skyv stangen forsiktig til stampelet berører bunnen av patronen.

Følg monteringsprosedyren i motsatt rekkefølge for å fjerne patronen.

Montere patron på holder størrelse 600 ml eller 800 ml

OBS: Kontroller at stempel A (for holder størrelse 600 ml) eller stempel D (for holder størrelse 800 ml) er festet til stangen. Ikke bruk andre stempeltypen for patroner.

1. Fjern holderhetten fra holderen, og trekk deretter stanghåndtaket sakte bakover til det stanser.

► **Fig.20:** 1. Holderhette 2. Stanghåndtak

2. Sett patronen inn i holderen.

► **Fig.21:** 1. Holder

3. Fest holderhetten ved å dreie den bestemt mens du holder i holderen.

► **Fig.22:** 1. Holderhette 2. Holder

4. Skyv stangen forsiktig til stampelet berører bunnen av patronen.

Følg monteringsprosedyren i motsatt rekkefølge for å fjerne patronen.

Bruke filmtypapakke

Klargjøre pakke for bruk

Skjær av spissen av pakken.

► **Fig.23**

OBS: Kontroller at pakken ikke er skadet før du monterer den. Hvis du bruker en skadet pakke, kan det føre til funksjonsfeil.

Montere filmtypepakken på holder størrelse 600 ml eller 800 ml

OBS: Kontroller at stempel B (for holder størrelse 600 ml) eller stempel E (for holder størrelse 800 ml) er festet til stangen. Ikke bruk andre typer stempeler for filmtypepakke.

1. Fjern holderhetten, munnstykket og gummiringen fra holderen.

► **Fig.24:** 1. Holderhette 2. Munnstykke 3. Gummiring 4. Holder

2. Trekk stanghåndtaket sakte bakover til det stanser.

3. Sett pakken inn i holderen.

► **Fig.25:** 1. Holder

4. Fest gummiringen, munnstykket og holderhetten ved å dreie holderhetten bestemt.

► **Fig.26:** 1. Holderhette 2. Munnstykke 3. Gummiring 4. Holder

5. Skyv stangen forsiktig til stampelet berører pakken.

Når du skal demontere pakken, fjerner du holderhetten, munnstykket og gummiringen, og deretter skyver du stanghåndtaket fremover til det stanser.

Direkte fylling

OBS: Kontroller at holder størrelse 600 ml er festet til holderfestet, og at stempel C er festet til stangen. Ikke bruk andre typer holdere og stempler for direkte tetting.

1. Fjern holderhetten, munnstykket og gummiringen fra holderen.
► **Fig.27:** 1. Holderhette 2. Munnstykke 3. Gummiring
4. Holder

2. Skyv stanghåndtaket helt til det stanser.

3. Sett spissen på holderen inn i tettingsmaterialet, og trekk deretter sakte i stanghåndtaket for å fylle holderen med tettingsmateriale.

► **Fig.28:** 1. Holder

4. Fest gummiringen, munnstykket og holderhetten ved å dreie holderhetten bestemt.

► **Fig.29:** 1. Holderhette 2. Munnstykke 3. Gummiring
4. Holder

Tetting

Trekk i bryteren for å fremføre tettingsmaterialet. Hold den ene hånden under holderen for å støtte verktøyet mens det er i bruk.

Etter bruk tørker du tettingsmaterialet av verktøyet. Husk å fjerne tettingsmaterialet før det størkner.

MERK: Når verktøyet er slått på, stiller du hastighetsinnstillingshjulet på "1" og trekker sakte i startbryteren for å kontrollere hvor mye tettingsmateriale som blir fremført.

MERK: Avhengig av typen og tilstanden til tettingsmaterialet, kan det hende at det ikke fremføres ved lav hastighet. I så fall må du øke innstillingen på hastighetsinnstillingshjulet.

MERK: Hvis tettingsmateriale ikke fremføres, kontroller du følgende punkter:

- Spissen på patronmunestykket er ikke kuttet tilstrekkelig.
- Tettingsmaterialet er størknet og tilstopper munnstykket.
- Patronen eller pakken er skadet.
- Tettingsmaterialet er stivt. Varm opp materialet til det blir mykt.
- Montert patron er ikke riktig i forhold til anvendt tettingsmateriale.

VEDLIKEHOLD

⚠FORSIKTIG: Forviss deg alltid om at maskinen er slått av og batteriet tatt ut før du foretar inspeksjon eller vedlikehold.

OBS: Aldri bruk gasolin, bensin, tynner alkohol eller lignende. Det kan føre til misfarging, deformering eller sprekkdannelse.

For å opprettholde produktets SIKKERHET og PALITELIGHET, må reparasjoner, vedlikehold og justeringer utføres av autoriserte Makita servicesentre eller fabrikk-servicesentre, og det må alltid brukes reservedeler fra Makita.

VALGFRITT TILBEHØR

⚠FORSIKTIG: Det anbefales at du bruker dette tilbehøret eller verktøyet sammen med den Makita-maskinen som er spesifisert i denne håndboken. Bruk av annet tilbehør eller verktøy kan forårsake personskader. Tilbehør og verktøy må kun brukes til det formålet det er beregnet på.

Ta kontakt med ditt lokale Makita-servicesenter hvis du trenger mer informasjon om dette tilbehøret.

- Stempel A
- Stempel B
- Stempel C
- Stempel D
- Stempel E
- Holdersett størrelse 300 ml
- Holdersett størrelse 600 ml
- Holdersett størrelse 800 ml
- Munnstykke (for holder størrelse 600 ml)
- Munnstykke (for holder størrelse 800 ml)
- Vernebriller
- Makita originalbatteri og lader

MERK: Enkelte elementer i listen kan være inkludert som standardtilbehør i verktøypakken. Elementene kan variere fra land til land.

TEKNISEET TIEDOT

Malli:	CG100D	
Maksimisyöttövoima	5 000 N	
Syöttönopeus	0 - 28 mm/s	
Isku	300 ml säiliöpidike	214 mm
	600 ml säiliöpidike	350 mm
	800 ml säiliöpidike	294 mm
Kokonaispituus	300 ml säiliöpidike	404 mm
	600 ml säiliöpidike	538 mm
	800 ml säiliöpidike	480 mm
Nimellisjännite	DC 10,8 V - 12 V maks.	
Vakio akkupaketti	BL1015 / BL1016 / BL1020B / BL1021B / BL1040B / BL1041B	
Laturi	DC10SA / DC10SB / DC10WC / DC10WD	
Nettopaino	1,9 - 2,6 kg	

- Jatkuvasta tutkimus- ja kehitystyöstämme johtuen esitetyt tekniset tiedot saattavat muuttua ilman erillistä ilmoitusta.
- Tekniset tiedot ja akkupaketti voivat vaihdella maittain.
- Paino voi olla erilainen lisävarusteista sekä akusta johtuen. EPTA-menetellytavan 01/2014 mukaisesti, taulukossa on kuvattu kevyin ja painavin laiteyhdistelmä.

Käyttötarkoitus

Tämä laite on tarkoitettu tiivistemassan pursotukseen pinnoille.

Melutaso

Tyypillinen A-painotettu melutaso määräytyy standardin EN62841 mukaan:

Äänenpainetaso (L_{pA}): 70 dB (A) tai vähemmän
Virhemarginaali (K): 3 dB (A)

Työskentelyn aikana melutaso voi ylittää 80 dB (A).

HUOMAA: Ilmoitetut melutasoarvot on mitattu standarditestausten menetelmän mukaisesti ja niiden avulla voidaan vertailla työkaluja keskenään.

HUOMAA: Ilmoitettuja melutasoarvoja voidaan käyttää myös altistumisen alustavaan arviointiin.

VAROITUS: Käytä kuulosuojaimia.

VAROITUS: Sähkötyökalun käytön aikana mitattu melutasoarvo voi poiketa ilmoitetuista arvoista laitteen käytötavan ja erityisesti käsiteltävän työkalun mukaan.

VAROITUS: Selvitä käyttäjän suojaamiseksi tarvittavat varoimet todellisissa käyttöolosuhteissa tapahtuvan arvioitun altistumisen mukaisesti (ottaen huomioon käyttöjaksot kokonaisuudessaan, myös jaksot, joiden aikana laite on sammutettuna tai käy tyhjäkäynnillä).

Tärinä

Kokonaistärinä (kolmen akselin vektorien summa) määräytyy standardin EN62841 mukaan:
Työtila: käyttö ilman kuormitusta
Tärinäpäästö (a_{h}): 2,5 m/s² tai alhaisempi
Virhemarginaali (K): 1,5 m/s²

HUOMAA: Ilmoitetut kokonaistärinäarvot on mitattu standarditestausten menetelmän mukaisesti ja niiden avulla voidaan vertailla työkaluja keskenään.

HUOMAA: Ilmoitettuja kokonaistärinäarvoja voidaan käyttää myös altistumisen alustavaan arviointiin.

VAROITUS: Sähkötyökalun käytön aikana mitattu todellinen tärinäpäästöarvo voi poiketa ilmoitetuista arvoista laitteen käytötavan ja erityisesti käsiteltävän työkalun mukaan.

VAROITUS: Selvitä käyttäjän suojaamiseksi tarvittavat varoimet todellisissa käyttöolosuhteissa tapahtuvan arvioitun altistumisen mukaisesti (ottaen huomioon käyttöjaksot kokonaisuudessaan, myös jaksot, joiden aikana laite on sammutettuna tai käy tyhjäkäynnillä).

EY-vaatimustenmukaisuusvakuutus

Koskee vain Euroopan maita

EY-vaatimustenmukaisuusvakuutus on liitetty tähän käyttöoppaaseen.

TURVAVAROITUKSET

Sähkötyökalujen käyttöä koskevat yleiset varoitukset

VAROITUS: Tutustu kaikkiin tämän sähkötyökalun mukana toimitettuihin varoituksiin, ohjeisiin, kuviin ja teknisiin tietoihin. Seuraavassa lueteltujen ohjeiden noudattamatta jättäminen saattaa johtaa sähköiskuun, tulipaloon tai vakavaan vammautumiseen.

Säilytä varoitukset ja ohjeet tulevaa käyttöä varten.

Varoituksissa käytettävällä termillä ”sähkötyökalu” tarkoitetaan joko verkkovirtaa käyttävää (johdollista) työkalua tai akkukäyttöistä (johdotonta) työkalua.

Akkukäyttöistä tiivistemassapuristinta koskevat turvallisuusohjeet

1. Pidä kädet ja vaatteet kaukana varresta ja puristusalueesta. Muuten sormesi tai vaatteesi voivat jäädä puristuksiin.
2. Ota laitteesta luja ote.
3. Työskentele aina vain tiiloissa, joissa on hyvä ilmanvaihto käyttämällä asianmukaisia suojavarusteita.
4. Lue tiivistemassan tai liima-aineen valmistajan antamat ohjeet ennen käyttöä ja noudata niitä.

SÄILYTÄ NÄMÄ OHJEET.

VAROITUS: ÄLÄ anna työkalun heppokäyttöisyyden (toistuvan käytön aikaansaama) johtaa sinua väärään turvallisuuden tunteeseen niin, että laiminlyöt työkalun turvaohjeiden noudattamisen. **VÄÄRINKÄYTTÖ** tai tässä käyttöohjeessa ilmoitettujen turvamääräysten laiminlyönti voi aiheuttaa vakavia henkilövahinkoja.

Akkupakettia koskevia tärkeitä turvaohjeita

1. Ennen akun käyttöönottoa tutustu kaikkiin laturissa (1), akussa (2) ja akkukäyttöisessä tuotteessa (3) oleviin varoitusteksteihin.
2. Älä pura akkua.
3. Jos akun toiminta-aika lyhenee merkittävästi, lopeta akun käyttö. Seurauksena voi olla ylikuumeneminen, palovammoja tai jopa räjähdys.
4. Jos akkunestettä pääsee silmiin, huuhtele puhtaalla vedellä ja hakeudu välittömästi lääkärin hoitoon. Akkuneste voi aiheuttaa näön menetyksen.
5. Älä oikosulje akkua.
 - (1) Älä koske akun napoihin millään sähköä johtavalla materiaalilla.
 - (2) Vältä akun oikosulkemista äläkä säilytä akkua yhdessä muiden metalliesineiden, kuten naulojen, kolikoiden ja niin edelleen kanssa.
 - (3) Älä aseta akkua alttiiksi vedelle tai sateelle.

Oikosulku voi aiheuttaa virtapiikin, ylikuumentumista, palovammoja tai laitteen rikkoontumisen.

6. Älä säilytä työkalua ja akkua paikassa, jossa lämpötila voi nousta 50 °C:een tai sitäkin korkeammaksi.
7. Älä hävitä akkua polttamalla, vaikka se olisi pahoin vaurioitunut tai täysin loppuun kulunut. Avotuli voi aiheuttaa akun räjähtämisen.
8. Varo kolhimasta tai pudottamasta akkua.
9. Älä käytä viallista akkua.
10. Sisältyviä litium-ioni-akkuja koskevat vaarallisten aineiden lainsäädännön vaatimukset. Esimerkiksi kolmansien osapuolten huolintaliikkeiden tulee kaupallisissa kuljetuksissa noudattaa pakkaamista ja merkintöjä koskevia erityisvaatimuksia. Lähetettävän tuotteen valmistelu edellyttää vaarallisten aineiden asiantuntijan neuvontaa. Huomioi myös mahdollisesti yksityiskohtaisemmat kansalliset määräykset
Akun avoimet liittimet tulee suojata teipillä tai suojuksella ja pakkaaminen tulee tehdä niin, ettei akku voi liikkua pakkauksessa.
11. **Kun akkupaketti on hävitettävä, poista se laitteesta ja hävitä se turvallisesti. Hävitä akku paikallisten määräysten mukaisesti.**
12. **Käytä akkua vain Makitan ilmoittamien tuotteiden kanssa.** Akkujen asentaminen yhteensopimattomiin tuotteisiin voi aiheuttaa tulipalon, liiallisen ylikuumenemisen, räjähdyksen tai akkunestevuotoja.
13. **Jos laitetta ei käytetä pitkään aikaan, akku on poistettava laitteesta.**

SÄILYTÄ NÄMÄ OHJEET.

HUOMIO: Käytä vain alkuperäisiä Makita-akkuja. Muiden kuin aitojen Makita-akkujen, tai mahdollisesti muutettujen akkujen käyttö voi johtaa akun murtumiseen ja aiheuttaa tulipaloja, henkilö- ja omaisuusvahinkoja. Se mitätöi myös Makita-työkalun ja -laturin Makita-takuun.

Vihjeitä akun käyttöön pidentämiseksi

1. Lataa akku ennen kuin se purkautuu täysin. Lopeta aina työkalun käyttö ja lataa akku, jos huomaat työkalun tehon vähenevän.
2. Älä koskaan lataa uudestaan täysin ladattua akkua. Ylilataaminen lyhentää akun käyttöikää.
3. Lataa akku huoneen lämpötilassa välillä 10 °C - 40 °C. Anna kuuman akun jäähtyä ennen lataamista.

TOIMINTOJEN KUVAUS

▲HUOMIO: Varmista aina ennen säätöjä ja tarkastuksia, että työkalu on sammutettu ja akkupaketti irrotettu.

Akun asentaminen tai irrottaminen

▲HUOMIO: Sammuta työkalu aina ennen akun kiinnittämistä tai irrottamista.

▲HUOMIO: Pidä työkalusta ja akusta tiukasti kiinni, kun irrotat tai kiinnität akkua. Jos akkupaketti tai työkalu putoaa, ne voivat vaurioitua tai aiheuttaa tapaturman.

► **Kuva1:** 1. Punainen merkkivalo 2. Painike
3. Akkupaketti

Irrota akku painamalla akun etupuolella olevaa painiketta ja vetämällä akku ulos työkalusta.

Akku liitetään sovittamalla akun kieleke rungon uraan ja työntämällä se sitten paikoilleen. Työnnä akku pohjaan asti niin, että kuulet sen napsahtavan paikoilleen. Jos painikkeen yläpuolella näkyy punainen ilmaisin, akku ei ole lukkiutunut täysin paikoilleen.

▲HUOMIO: Työnnä akku aina pohjaan asti, niin että punainen ilmaisin ei enää näy. Jos akku ei ole kunnolla paikallaan, se voi pudota työkalusta ja aiheuttaa vammoja joko sinulle tai sivullisille.

▲HUOMIO: Älä käytä voimaa akun asennuksessa. Jos akku ei lii'vu paikalleen helposti, se on väärässä asennossa.

Akun suojausjärjestelmä

Työkalu on varustettu akun suojausjärjestelmällä. Tämä järjestelmä pidentää akun käyttöikää katkaisemalla moottorin virran automaattisesti. Työkalu pysähtyy automaattisesti kesken käytön, jos työkalussa tai akussa ilmenee jokin seuraavista tilanteista:

Ylikuormitus:

Työkalua käytetään tavalla, joka saa sen kuluttamaan epätavallisen paljon virtaa.

Katkaise tässä tilanteessa työkalusta virta ja lopeta ylikuormitus tilan aiheuttanut käyttö. Käynnistä sitten työkalu uudelleen kytkemällä siihen virta.

Jos työkalu ei käynnisty, akku on ylikuumentunut. Anna tässä tilanteessa akun jäähtyä, ennen kuin kytket työkaluun virran uudelleen.

Alhainen akun jännite:

Akun varaus on liian alhainen eikä riitä työkalun käyttämiseen. Jos kytket työkalun päälle, moottori alkaa toimia, mutta pysähtyy pian. Irrota tässä tilanteessa akku ja lataa se.

Akun jäljellä olevan varaustason ilmaisin

Vain akkupaketeille ilmaisimella

► **Kuva2:** 1. Merkkivalot 2. Tarkistuspainike

Painamalla tarkistuspainiketta saat näkyviin akun jäljellä olevan varauksen. Merkkivalot palavat muutaman sekunnin ajan.

Merkkivalot		Akussa jäljellä olevan varaus
Palaa	Pois päältä	
		75% - 100%
		50% - 75%
		25% - 50%
		0% - 25%

HUOMAA: Ilmoitettu varaustaso voi erota hieman todellisesta varaustasosta sen mukaan, millaisissa oloissa ja missä lämpötilassa laitetta käytetään.

Kytken käyttäminen

▲VAROITUS: Tarkista aina ennen akkupaketin asettamista työkaluun, että liipaisinkytkin kytkeytyy oikein ja palaa "OFF"-asentoon, kun se vapautetaan.

► **Kuva3:** 1. Liipaisinkytkin 2. Liipaisinlukkopainike

Laitteessa on liipaisinlukkopainike, joka estää liipaisinkytkimen painamisen vahingossa.

Voit käynnistää laitteen painamalla liipaisinlukkopainiketta A-puolelta ja vetämällä liipaisimesta. Laitteen nopeus kasvaa liipaisinkytkimeen kohdistuvaa voimaa lisättäessä. Pysäytä vapauttamalla liipaisinkytkin. Käytön jälkeen paina liipaisinlukkopainiketta B-puolelta.

Nopeudensäätöpyörä

► **Kuva4:** 1. Nopeudensäätöpyörä

Laitenopeutta voidaan säätää kiertämällä nopeudensäätöpyörää. Suurin nopeusasetus on 5 ja pienin nopeusasetus 1.

HUOMAUTUS: Älä kierrä nopeudensäätöpyörää nopeasti laitteen ollessa käytössä.

HUOMAUTUS: Tiivistemassan tyyppistä ja olosuhteista riippuen, sitä ei ehkä voi syöttää hitaalla nopeudella. Tässä tapauksessa suurena silloin nopeutta nopeudensäätöpyörällä.

HUOMAUTUS: Jos nopeudensäätöpyörää on muutettava lukemasta "5" lukemaan "1", kierrä nopeudensäätöpyörää vastapäivään. Älä kierrä nopeudensäätöpyörää väkisin.

Etulampun sytyttäminen

⚠HUOMIO: Älä katso suoraan lamppuun tai valonlähteeseen.

► **Kuva5:** 1. Lamppu

Jos haluat sytyttää valon, paina liipaisinkytkintä kevyesti ja vapauta se. Lamppu sammuu noin 10 sekunnin kuluttua liipaisinkytkimen vapauttamisesta.

HUOMAUTUS: Jos laite on ylikuumentunut, lamppu alkaa vilkkua. Anna laitteen jäähtyä ennen sen käyttämistä uudelleen.

HUOMAA: Pyyhi lika pois linssistä kuivalla liinalla. Varo naarmuttamasta linssiä, ettei valoteho laske.

Ylikuormituksen varoitusvalo

► **Kuva6:** 1. Varoitusvalo

Varoitusvalo vilkkuu laitteen ollessa korkeassa kuormituksessa. Jos kuormitus kasvaa ja laite ylikuumentuu, laite sammuu automaattisesti ja varoitusvalo palaa kiinteästi. Tässä tapauksessa vapauta liipaisinkytkin ja poista ylikuumentumisen syy. Käynnistä laite tämän jälkeen uudelleen.

HUOMAA: Jos varoitusvalo vilkkuu, tarkasta seuraavat asiat:

- onko tiivistemassa tukossa.
- onko nopeudensäätöpyörä asetettu liian suurelle nopeudelle.
- onko patruunasuuttimen tai kalvotyypin pakkauksen kärjen katkaisukohta liian pieni.

Valumisenestoiminto

Moottori pyörii hetken liipaisimen vapauttamisen jälkeen. Se vapauttaa paineen tiivistemassasta ja estää massan valumisen.

KOKOONPANO

⚠HUOMIO: Varmista aina ennen mitään työkalulle tehtäviä toimenpiteitä, että se on sammutettu ja akku irrotettu.

300 ml säiliöpidikkeen asentaminen tai irrottaminen

Pidikeliihtimen asentaminen ja irrottaminen

Kiinnitä pidikeliitin ja levy kiinnittämällä ruuvit kireälle. Irrota pidikeliitin noudattamalla asennusohjeita päinvastaisessa järjestyksessä.

► **Kuva7:** 1. Ruuvi 2. Levy 3. Pidikeliitin

Männän ja varren asentaminen tai irrottaminen

1. Kiinnitä varsi laitteen takapuolelta niin, että sen hampaat osoittavat alaspäin.

► **Kuva8:** 1. Lyhyt varsi

2. Kiinnitä mäntä A ruuvilla.

► **Kuva9:** 1. Ruuvi 2. Mäntä A 3. Lyhyt varsi

HUOMAUTUS: 300 ml säiliöpidikkeelle saatavana oleva tiivistemassasäiliö on vain patruunatyypinen. Varmista, että olet kiinnittänyt männän A varteen.

Irrota varsi ja mäntä noudattamalla asennusohjeita päinvastaisessa järjestyksessä.

Pidikkeen asentaminen ja irrottaminen

⚠HUOMIO: Kiinnitä pidike pidikeliihtimeen huolellisesti. Muussa tapauksessa pidike voi irrota käytön aikana ja aiheuttaa tapaturmia.

Asenna pidike kiertämällä sitä tiukasti myötäpäivään, kunnes se pysähtyy ja pitämällä samalla pidikeliihtimestä kiinni. Irrota pidike noudattamalla asennusohjeita päinvastaisessa järjestyksessä.

► **Kuva10:** 1. Pidike

600 ml tai 800 ml säiliöpidikkeen asentaminen tai irrottaminen

Pidikeliihtimen asentaminen ja irrottaminen

Kiinnitä pidikeliitin ja levy kiinnittämällä ruuvit kireälle. Irrota pidikeliitin noudattamalla asennusohjeita päinvastaisessa järjestyksessä.

600 ml säiliöpidike






► **Kuva11:** 1. Ruuvi 2. Levy 3. Pidikeliitin

800 ml säiliöpidike

► **Kuva12:** 1. Ruuvi 2. Pidikeliitin ja levy

Mäntätyyppin valinta

Valitse oikea mäntätyyppi tiivistemassasäiliön mukaisesti katsomalla seuraavaa taulukkoa.

	600 ml säiliöpidike	800 ml säiliöpidike
Patruuna	Mäntä A 	Mäntä D 
Kalvopakkaus	Mäntä B 	Mäntä E * 
Suoratäyttö	Mäntä C 	-

*. Lisävaruste

Männän ja varren asentaminen tai irrottaminen

1. Kiinnitä varsi laitteen takapuolelta niin, että sen hampaat osoittavat alaspäin.
► **Kuva13:** 1. Pitkä varsi tai musta varsi

HUOMAUTUS: Käytä pitkää vartta 600 ml säiliöpidikkeelle. Käytä mustaa vartta 800 ml säiliöpidikkeelle.

2. Kiinnitä mäntä ruuvilla.
► **Kuva14:** 1. Ruuvi 2. Mäntä 3. Pitkä varsi tai musta varsi

Irrota varsi ja mäntä noudattamalla asennusohjeita päivävästaisessä järjestyksessä.

600 ml tai 800 ml säiliöpidikkeen asentaminen tai irrottaminen

⚠HUOMIO: Kiinnitä pidike pidikeliittimeen huolellisesti. Muussa tapauksessa pidike voi irrota käytön aikana ja aiheuttaa tapaturmia.

Asenna pidike kiertämällä sitä tiukasti myötäpäivään, kunnes se pysähtyy ja pitämällä samalla pidikeliittimestä kiinni.
► **Kuva15:** 1. Pidike

Irrota pidike noudattamalla asennusohjeita päivävästaisessä järjestyksessä.

TYÖSKENTELY

Patruunan käyttö

Patruunan valmistelu käyttöä varten

1. Katkaise patruunasuuttimen kärki niin, että siitä voidaan syöttää tietty määrä tiivistemassaa.
► **Kuva16:** 1. Suutin
2. Tee reikä suuttimen kärjessä olevaan suojakalvoon.
► **Kuva17:** 1. Suutin
3. Kiinnitä suutin patruunaan.

HUOMAUTUS: Tarkasta patruuna vaurioiden varalta ennen asentamista. Viallisen patruunan käyttö voi aiheuttaa käyttöhäiriöitä.

HUOMAUTUS: Käytettäessä jo osittain käytettyä patruunaa, varmista, että olet poistanut kiinteän ja kovettuneen tiivistemassan ennen asentamista.

300 ml säiliöpidikkeen asentaminen

HUOMAUTUS: Varmista, että mäntä A on kiinnitetty varteen. Älä käytä patruunapakkausten kanssa muun tyyppisiä mäntiä.

1. Vedä varren kahvaa hitaasti taaksepäin, kunnes se pysähtyy.
► **Kuva18:** 1. Varren kahva

2. Aseta patruuna säiliöön kuvan osoittamalla tavalla.

► **Kuva19**

3. Työnnä vartta varovasti, kunnes mäntä koskettaa patruunan pohjaa.

Irrota patruuna noudattamalla asennusohjeita päivävästaisessä järjestyksessä.

Patruunan asentaminen 600 ml tai 800 ml säiliöpidikkeeseen

HUOMAUTUS: Varmista, että mäntä A (600 ml säiliöpidikkeelle) tai mäntä D (800 ml säiliöpidikkeelle) on kiinnitetty varteen. Älä käytä patruunapakkausten kanssa muun tyyppisiä mäntiä.

1. Irrota pidikkeen tulppa pidikkeestä ja vedä tämän jälkeen varren kahvaa hitaasti taaksepäin, kunnes se pysähtyy.

► **Kuva20:** 1. Pidikkeen tulppa 2. Varren kahva

2. Työnnä patruuna pidikkeeseen.

► **Kuva21:** 1. Pidike

3. Kiinnitä pidikkeen tulppa paikalleen kiertämällä sitä huolellisesti kiinni samalla kun pidät pidikkeestä kiinni.

► **Kuva22:** 1. Pidikkeen tulppa 2. Pidike

4. Työnnä vartta varovasti, kunnes mäntä koskettaa patruunan pohjaa.

Irrota patruuna noudattamalla asennusohjeita päivävästaisessä järjestyksessä.

Kalvotyyppisen pakkauksen käyttö

Pakkauksen valmistelu käyttöä varten

Katkaise kalvopakkauksen kärki.

► **Kuva23**

HUOMAUTUS: Tarkasta pakkaus vaurioiden varalta ennen asentamista. Viallisen pakkauksen käyttö voi aiheuttaa käyttöhäiriöitä.

Kalvotyyppisen pakkauksen asentaminen 600 ml tai 800 ml säiliöpidikkeeseen

HUOMAUTUS: Varmista, että mäntä B (600 ml säiliöpidikkeelle) tai mäntä E (800 ml säiliöpidikkeelle) on kiinnitetty varteen. Älä käytä kalvopakkausten kanssa muun tyyppisiä mäntiä.

1. Irrota pidikkeen tulppa, suutin ja kumirengas pidikkeestä.

► **Kuva24:** 1. Pidikkeen tulppa 2. Suutin 3. Kumirengas 4. Pidike

2. Vedä varren kahvaa hitaasti taaksepäin, kunnes se pysähtyy.

3. Työnnä pakkaus pidikkeeseen.

► **Kuva25:** 1. Pidike

4. Kiinnitä kumirengas, suutin ja pidikkeen tulppa paikalleen kiertämällä pidikkeen tulppaa luotettavasti.

- **Kuva26:** 1. Pidikkeen tulppa 2. Suutin
3. Kumirengas 4. Pidike

5. Työnnä vartta varovasti, kunnes mäntä koskettaa pakkausta.

Irrota pakkaus irrottamalla pidikkeen tulpan, suuttimen, kumirenkaan ja tämän jälkeen työntämällä varren kahvaa eteenpäin, kunnes se pysähtyy.

Suoratäyttö

HUOMAUTUS: Varmista, että 600 ml säiliöpidike on kiinnitetty pidikeliihtimeen ja mäntä C on kiinnitetty varteen. Älä käytä suoratäytön kanssa muun tyyppisiä pidikkeitä ja mäntiä.

1. Irrota pidikkeen tulppa, suutin ja kumirengas pidikkeestä.

- **Kuva27:** 1. Pidikkeen tulppa 2. Suutin
3. Kumirengas 4. Pidike

2. Työnnä varren kahvaa niin pitkälle, kunnes se pysähtyy.

3. Aseta pidikkeen kärki tiivistemassaan ja tämän jälkeen vedä varren kahvaa hitaasti pidikkeen täyttämiseksi tiivistemassalla.

- **Kuva28:** 1. Pidike

4. Kiinnitä kumirengas, suutin ja pidikkeen tulppa paikalleen kiertämällä pidikkeen tulppaa luotettavasti.

- **Kuva29:** 1. Pidikkeen tulppa 2. Suutin
3. Kumirengas 4. Pidike

Tiivistys

Syötä tiivistemassaa painamalla liipaisinta. Aseta toinen käsi pidikkeen alapuolelle laitteen tukemiseksi sen käytön aikana.

Käytön jälkeen pyyhi tiivistemassa laitteesta. Varmista, että poistat tiivistemassaa ennen sen kovettumista.

HUOMAA: Käytön alussa aseta nopeudensäätöpyörä asentoon "1" ja paina liipaisinkytkintä hitaasti, jotta näet kuinka paljon tiivistemassaa syötetään.

HUOMAA: Tiivistemassan tyyppistä ja olosuhteista riippuen, sitä ei ehkä voi syöttää hitaalla nopeudella. Tässä tapauksessa suurena silloin nopeutta nopeudensäätöpyörällä.

HUOMAA: Jos tiivistemassaa ei syötetä, tarkasta seuraavat kohteet:

- patruunasuuttimen kärkeä ei ole katkaistu riittävästi.
- tiivistemassa on kovettunut ja tukkinut suuttimen.
- patruuna tai pakkaus on vaurioitunut.
- onko tiivistemassa jäykkää. Lämmitä massaa, kunnes se pehmenee.
- kiinnitetty mäntä ei sovellu tiivistemassatyypille.

KUNNOSSAPITO

HUOMIO: Varmista aina ennen tarkastusta tai huoltoa, että työkalu on sammutettu ja akku irrotettu.

HUOMAUTUS: Älä koskaan käytä bensiiniä, ohenteita, alkoholia tai tms. aineita. Muutoin pinta voi halkeilla tai sen värit ja muoto voivat muuttua. Muutoin laitteeseen voi tulla värjäytyymiä, muodon vääristymiä tai halkeamia.

Tuotteen TURVALLISUUDEN ja LUOTETTAVUUDEN takaamiseksi korjaukset, muut huoltotyöt ja säädöt on teetettävä Makitan valtuutetussa huoltopisteessä Makitan varaosia käyttäen.

LISÄVARUSTEET

HUOMIO: Seuraavia lisävarusteita tai laitteita suositellaan käytettäväksi tässä ohjeessa kuvatus Makita-työkalun kanssa. Muiden lisävarusteiden tai laitteiden käyttö voi aiheuttaa henkilövahinkoja. Käytä lisävarusteita ja -laitteita vain niiden käyttötarkoituksen mukaisesti.

Jos tarvitset apua tai yksityiskohtaisempia tietoja seuraavista lisävarusteista, ota yhteys paikalliseen Makitan huoltoon.

- Mäntä A
- Mäntä B
- Mäntä C
- Mäntä D
- Mäntä E
- 300 ml säiliöpidikesarja
- 600 ml säiliöpidikesarja
- 800 ml säiliöpidikesarja
- Suutin (600 ml säiliöpidikkeelle)
- Suutin (800 ml säiliöpidikkeelle)
- Suojalasit
- Aito Makitan akku ja laturi

HUOMAA: Jotkin luettelossa mainitut varusteet voivat sisältyä työkalun toimitukseen vakiovarusteina. Ne voivat vaihdella maittain.

SPECIFIKĀCIJAS

Modelis:		CG100D
Maksimālais padeves spēks		5 000 N
Padeves spēks		0–28 mm/s
Gājiens	300 ml izmēra turētājs	214 mm
	600 ml izmēra turētājs	350 mm
	800 ml izmēra turētājs	294 mm
Kopējais garums	300 ml izmēra turētājs	404 mm
	600 ml izmēra turētājs	538 mm
	800 ml izmēra turētājs	480 mm
Nominālais spriegums		10,8 V - 12 V maks. līdztāva
Standarta akumulatora kasetne		BL1015 / BL1016 / BL1020B / BL1021B / BL1040B / BL1041B
Lādētājs		DC10SA / DC10SB / DC10WC / DC10WD
Neto svars		1,9–2,6 kg

- Nepārtrauktās izpētes un izstrādes programmas dēļ šeit uzrādītās specifikācijas var tikt mainītas bez brīdinājuma.
- Specifikācijas un akumulatora kasetne var atšķirties dažādās valstīs.
- Svārs var būt atšķirīgs atkarībā no papildierīces(-ēm), tostarp akumulatora kasetnes. Tabulā ir attēlota vieglākā un smagākā kombinācija atbilstoši EPTA procedūrai 01/2014.

Paredzētā lietošana

Šī ierīce ir paredzēta blīvēšanas materiāla uzklāšanai uz virsmas.

Trokšņa līmenis

Tipiskais A svērtais trokšņa līmenis noteikts saskaņā ar EN62841:

Skaņas spiediena līmeni (L_{pA}): 70 dB (A) vai mazāk
Mainīgums (K): 3 dB (A)

Darbības laikā trokšņa līmenis var pārsniegt 80 dB (A).

PIEZĪME: Paziņotā trokšņa emisijas vērtība noteikta atbilstoši standartā pārbaudes metodei, un to var izmantot, lai salīdzinātu vienu darbarīku ar citu.

PIEZĪME: Paziņoto trokšņa emisijas vērtību arī var izmantot iedarbības sākotnējā novērtējumā.

▲BRĪDINĀJUMS: Lietojiet ausu aizsargus.

▲BRĪDINĀJUMS: Trokšņa emisija patiesos darba apstākļos var atšķirties no paziņotās vērtības atkarībā no darbarīka izmantošanas veida un jo īpaši atkarībā no apstrādājamā materiāla veida.

▲BRĪDINĀJUMS: Lai aizsargātu lietotāju, nosakiet drošības pasākumus, kas pamatoti ar iedarbību reālos darba apstākļos (ņemot vērā visus ekspluatācijas cikla posmus, piemēram, laiku, kamēr darbarīks ir izslēgts un kad darbojas tukšgaitā, kā arī palaides laiku).

Vibrācija

Vibrācijas kopējā vērtība (trīsasu vektora summa) noteikta atbilstoši EN62841:

Darba režīms: darbība bez slodzes
Vibrācijas izmērs (a_h): 2,5 m/s² vai mazāk
Mainīgums (K): 1,5 m/s²

PIEZĪME: Paziņotā kopējā vibrācijas vērtība noteikta atbilstoši standartā pārbaudes metodei, un to var izmantot, lai salīdzinātu vienu darbarīku ar citu.

PIEZĪME: Paziņoto kopējo vibrācijas vērtību arī var izmantot iedarbības sākotnējā novērtējumā.

▲BRĪDINĀJUMS: Vibrācijas emisija patiesos darba apstākļos var atšķirties no paziņotās vērtības atkarībā no darbarīka izmantošanas veida un jo īpaši atkarībā no apstrādājamā materiāla veida.

▲BRĪDINĀJUMS: Lai aizsargātu lietotāju, nosakiet drošības pasākumus, kas pamatoti ar iedarbību reālos darba apstākļos (ņemot vērā visus ekspluatācijas cikla posmus, piemēram, laiku, kamēr darbarīks ir izslēgts un kad darbojas tukšgaitā, kā arī palaides laiku).

EK atbilstības deklarācija

Tikai Eiropas valstīm

EK atbilstības deklarācija šajā lietošanas rokasgrāmatā ir iekļauta kā A pielikums.

DROŠĪBAS BRĪDINĀJUMI

Vispārīgi elektrisko darbarīku drošības brīdinājumi

▲BRĪDINĀJUMS: Izlasiet visus drošības brīdinājumus, instrukcijas, apskatiet ilustrācijas un tehniskos datus, kas iekļauti mehanizētā darbarīka komplektācijā. Ja netiek ievēroti visi tālāk minētie noteikumi, var tikt izraisīta elektrotrauma, notikt aizdegšanās un/vai rasties smagas traumas.

Glabājiet visus brīdinājumus un norādījumus, lai varētu tajos ieskatīties turpmāk.

Termins „elektrisks darbarīks” brīdinājumos attiecas uz tādu elektrisko darbarīku, ko darbina ar elektrību (ar vadu), vai tādu, ko darbina ar akumulatoru (bez vada).

Brīdinājumi par bezvadu blīvēšanas pistoles drošu lietošanu

1. Rokas un apģērbus turiet atstatu no kāta un virzuļa zonas. Citādi var iespiest pirkstu vai apģērbus.
2. Turiet darbarīku cieši.
3. Vienmēr strādājiet labi ventilējamā zonā un izmantojiet pareizus aizsarglīdzekļus atbilstoši veicamajam darbam.
4. Pirms lietošanas izlasiet un ievērojiet ražotāja instrukcijas par blīvēšanas vai līmes materiāliem.

SAGLABĀJIET ŠOS NORĀDĪJUMUS.

▲BRĪDINĀJUMS: NEPIEĻAUJIET to, ka labu iemaņu vai izstrādājuma labas pārziņāšanas (darbarīku atkārtoti ekspluatējot) rezultātā vairs stingri neievērojāt šīs izstrādājuma drošības noteikumus. NEPAREIZI LIETOJOT darbarīku vai neievērojot šajā instrukciju rokasgrāmatā minētos drošības noteikumus, var tikt gūtas smagas traumas.

Svarīgi drošības norādījumi par akumulatora kasetni

1. Pirms akumulatora lietošanas izlasiet visus norādījumus un brīdinājumus, kuri attiecas uz (1) akumulatora lādētāju, (2) akumulatoru un (3) ierīci, kurā tiek izmantots akumulators.
2. Neizjauciet akumulatoru.
3. Ja akumulatora darbības laiks kļūva ievērojami īsāks, nekavējoties pārtrauciet to izmantot. Citādi, tas var izraisīt pārkarsējumu, uzliesmojumu vai pat sprādzienu.
4. Ja elektrolīts nonāk acīs, izskalojiet tās ar tīru ūdens un nekavējoties griežieties pie ārsta. Tas var izraisīt redzes zaudēšanu.
5. Neradiet īssavienojumu akumulatora kasetnē:
 - (1) Nepieskarieties spaiļēm ar elektrību vadošiem materiāliem.
 - (2) Neuzglabājiet akumulatoru kasetni kopā ar citiem metāla priekšmetiem, tādiem kā naglas, monētas u. c.
 - (3) Nepakļaujiet akumulatora kasetni ūdens vai lietus iedarbībai.

Akumulatora īssavienojums var radīt spēcīgu strāvas plūsmu, pārkaršanu, uzliesmojumu un pat sabojāt akumulatoru.

6. Neglabājiet darbarīku un akumulatora kasetni vietās, kur temperatūra var sasniegt vai pārsniegt 50 °C (122 °F).
7. Nededziniet akumulatora kasetni, pat ja tā ir stipri bojāta vai pilnībā nolietota. Akumulatora kasetne ugunī var eksplodēt.
8. Uzmanieties, lai neļautu akumulatoram nokrist un nepakļautu to sītiem.
9. Neizmantojiet bojātu akumulatoru.
10. Uz izmantotajiem lītija jonu akumulatoriem attiecas likumdošanas prasības par bīstamiem izstrādājumiem. Komerציāla transportēšanā, ko veic, piemēram, trešās puses, transporta uzņēmumi, jāievēro uz iesaiojuma un marķējuma norādītās īpašās prasības. Lai izstrādājumu sagatavotu nosūtīšanai, jāsaiznās ar bīstamo materiālu speciālistu. Ievērojiet arī citus attiecinos valsts normatīvus. Valējus kontaktus nosedziet ar līmlenti vai citādi pārklājiet, bet akumulatoru iesaiojiet tā, lai sainītas nevarētu izkustēties.
11. Lai utilizētu akumulatora kasetni, izņemiet to no darbarīka un likvidējiet drošā vietā. Ievērojiet vietējos noteikumus par akumulatora likvidēšanu.
12. Izmantojiet šos akumulatorus tikai ar izstrādājumiem, kurus norādījis Makita. Ievietojot šos akumulatorus nesaderīgos izstrādājumos, var rasties ugunsgrēks, pārmērīgs karstums, tie var uzsprāgt vai no tiem var iztecēt elektrolīts.
13. Ja darbarīks netiks lietots ilgu laiku, no tā jāizņem akumulators.

SAGLABĀJIET ŠOS NORĀDĪJUMUS.

▲UZMANĪBU: Lietojiet tikai oriģinālos Makita akumulatorus. Ja lietojat neoriģinālus Makita akumulatorus vai pārveidotus akumulatorus, tie var uzsprāgt un izraisīt aizdegšanos, traumas un materiālos zaudējumus. Tīks anulēta arī Makita darbarīka un lādētāja garantija.

Ieteikumi akumulatora kalpošanas laika pagarināšanai

1. Uzlādējiet akumulatora kasetni, pirms tā ir pilnībā izlādējusies. Vienmēr, kad ievērojat, ka darbarīka darba jauda zudusi, apturiet darbarīku un uzlādējiet akumulatora kasetni.
2. Nekad neuzlādējiet pilnībā uzlādētu akumulatora kasetni. Pārmērīga uzlāde saīsina akumulatora kalpošanas laiku.
3. Uzlādējiet akumulatora kasetni istabas temperatūrā 10 °C - 40 °C. Karstai akumulatora kasetnei pirms uzlādes ļaujiet atdzist.

FUNKCIJU APRAKSTS

⚠UZMANĪBU: Pirms darbarīka regulēšanas vai tā darbības pārbaudes vienmēr pārliecinieties, ka darbarīks ir izslēgts un akumulatora kasetne ir izņemta.

Akumulatora kasetnes uzstādīšana un izņemšana

⚠UZMANĪBU: Vienmēr pirms akumulatora kasetnes uzstādīšanas vai noņemšanas izslēdziet darbarīku.

⚠UZMANĪBU: Uzstādot vai izņemot akumulatora kasetni, darbarīku un akumulatora kasetni turiet cieši. Ja darbarīku un akumulatora kasetni netur cieši, tie var izkrist no rokām un radīt bojājumus darbarīkam un akumulatora kasetnei, kā arī izraisīt ievainojumus.

▶ **Att. 1:** 1. Sarkanās krāsas indikators 2. Poga 3. Akumulatora kasetne

Lai izņemtu akumulatora kasetni, izvelciet to no darbarīka, pārbindot kasetnes priekšpusē esošo pogu.

Lai uzstādītu akumulatora kasetni, salāgojiet mēlīti uz akumulatora kasetnes ar rienu ietvarā un iebīdīet to vietā. Ievietojiet to līdz galam, līdz tā ar klikšķi nofiksējas. Ja pogas augšējā daļā redzams sarkanās krāsas indikators, tas nozīmē, ka tā nav pilnīgi fiksēta.

⚠UZMANĪBU: Vienmēr ievietojiet akumulatora kasetni tā, lai sarkanais indikators nebūtu redzams. Pretējā gadījumā tā var nejauši izkrist no darbarīka un izraisīt jums vai apkārtējiem traumas.

⚠UZMANĪBU: Neievietojiet akumulatora kasetni ar spēku. Ja kasetne neslīd ietvarā viegli, tā nav pareizi ielikta.

Akumulatora aizsardzības sistēma

Darbarīks ir aprīkots ar akumulatora aizsardzības sistēmu. Šī sistēma automātiski izslēdz jaudas padevi motoram, lai pagarinātu akumulatora kalpošanas laiku. Darbarīks automātiski pārstās darboties ekspluatācijas laikā, ja darbarīku un/vai akumulatoru pakļaus kādam no tālāk minētajiem apstākļiem:

Pārslodze:

Darbarīku ekspluatācijas laikā lieto tādā veidā, ka tas saista pārmerīgu strāvu.

Šādā gadījumā izslēdziet darbarīku un pārtrauciet darbarīka pārslodzi izraisījušo darbu. Tad ieslēdziet darbarīku, lai atsāktu darbu.

Ja darbarīks neieslēdzas, akumulators ir pārkarsis. Šādā gadījumā ļaujiet akumulatoram atdzist pirms atkārtotas darbarīka ieslēgšanas.

Zema akumulatora jauda:









Akumulatora uzlādes līmenis ir pārāk zems, un darbarīks nedarbosies. Ja ieslēgsit darbarīku, motors vēlreiz sāks darboties, taču drīz apstāsies. Šādā gadījumā noņemiet akumulatoru un uzlādējiet.

Atlikušās akumulatora jaudas indikators

Tikai akumulatora kasetnēm ar indikatoru

▶ **Att. 2:** 1. Indikatora lampas 2. Pārbaudes poga

Nospiediet akumulatora kasetnes pārbaudes pogu, lai pārbaudītu akumulatora atlikušo uzlādes līmeni. Indikatori iedegsies uz dažām sekundēm.

Indikatora lampas		Atlikusī jauda
Iededzies	Izslēgts	
		No 75% līdz 100%
		No 50% līdz 75%
		No 25% līdz 50%
		No 0% līdz 25%

PIEZĪME: Reālā jauda var nedaudz atšķirties no norādītās atkarībā no lietošanas apstākļiem un apkārtējās temperatūras.

Slēdža darbība

⚠BRĪDINĀJUMS: Pirms akumulatora kasetnes uzstādīšanas darbarīkā vienmēr pārbaudiet, vai slēdža mēlīte darbojas pareizi un pēc atlaišanas atgriežas stāvoklī „OFF” (izslēgts).

▶ **Att. 3:** 1. Slēdža mēlīte 2. Mēlītes bloķēšanas poga

Lai aizsargātu no slēdža mēlītes nejaušas nospiešanas, darbarīkam ir mēlītes bloķēšanas poga.

Lai ieslēgtu darbarīku, bloķēšanas pogu izspiediet A pusē un nospiediet slēdža mēlīti. Darbarīka ātrumu palielina, pastiprinot spiedienu uz slēdža mēlītes. Lai apturētu darbarīku, atlaidiet slēdža mēlīti.

Pēc lietošanas mēlītes bloķēšanas pogu iespiediet no „B” puses.

Ātruma regulēšanas ciparripa

▶ **Att. 4:** 1. Ātruma regulēšanas ciparripa

Pagriežot ātruma regulēšanas ciparripu, var regulēt darbarīka ātrumu. Lielākais ātrums ir 5. pozīcijā, bet mazākais ātrums ir 1. pozīcijā.

IEVĒRĪBAI: Kamēr darbarīks darbojas, regulēšanas skalu negrieziet ātri.

IEVĒRĪBAI: Blīvēšanas materiāla veida un stāvokļa dēļ blīvēšanas materiāls nelielā ātrumā varētu nebūt pievadāms. Šādā gadījumā ātruma regulēšanas skalu iestatiet lielākā ātrumā.

IEVĒRĪBAI: Mainot ātrumu no 5 uz 1, grieziet ciparripu pretēji pulksteņrādītāju kustības virzienam. Negrieziet ciparripu pulksteņrādītāju kustības virzienā ar spēku.

Priekšējās lampas ieslēgšana

⚠UZMANĪBU: Neskatieties gaismā, neļaujiet tās avotam iespīdēt acīs.

► **Att.5:** 1. Lampa

Lai ieslēgtu lampu, nedaudz nospiediet slēdža mēlīti, tad atlaidiet to. Apmēram 10 sekundes pēc slēdža mēlītes atlaišanas lampiņa izslēdzas.

IEVĒRĪBAI: Ja darbarīks ir pārkaris, lampa mirgo. Pirms atsākat darbu, pilnībā atdzesējiet darbarīku.

PIEZĪME: Ar sausu lupatiņu notīriet netīrumus no lampas lēcas. Izvairieties saskrāpēt lampas lēcu, jo tādējādi tiek samazināts apgaismojums.

Pārslodzes brīdinājuma lampiņa

► **Att.6:** 1. Brīdinājuma lampiņa

Ja darbarīkam ir liela slodze, sāk mirgot brīdinājuma lampiņa. Ja slodze palielinās un darbarīks pārlogojas, tas darbību pārtrauc automātiski un turpina degt brīdinājuma lampiņa. Šādā gadījumā atlaidiet slēdža mēlīti, noņemiet pārslodzes izraisītāju un pēc tam vēlreiz ieslēdziet darbarīku.

PIEZĪME: Ja mirgo brīdinājuma lampiņa, pārbaudiet šādas pozīcijas:

- saķepis blīvēšanas materiāls;
- ātruma regulēšanas skala iestatīta uz lielu ātrumu;
- pārāk mazs kasetnes sprauslas galiņa vai plēves tipa iesaiņojuma nogrieztais laukums.

Pilēšanas novēršanas funkcija

Īsu brīdi pēc mēlītes atlaišanas vēl turpina darboties motors. Tas atbrīvo blīvēšanas materiāla spiedienu un novērš pilēšanu.

MONTĀŽA

⚠UZMANĪBU: Pirms darbarīka regulēšanas vai apkopes vienmēr pārlicinieties, ka darbarīks ir izslēgts un akumulatora kasetne ir izņemta.

300 ml izmēra turētāja uzstādīšana vai noņemšana

Turētāja savienojuma uzstādīšana vai noņemšana

Cieši pievelkot skrūves, piestipriniet turētāja savienojumu un plāksni. Lai noņemtu turētāja savienojumu, iepriekš aprakstīto uzstādīšanas procedūru izpildiet apgrieztā secībā.

► **Att.7:** 1. Skrūve 2. Plāksne 3. Turētāja savienojums

Kāta un virzuļa uzstādīšana un noņemšana

1. Kātu ievietojiet no darbarīka aizmugures puses ar zobiem uz leju.

► **Att.8:** 1. Īsais kāts

2. Ar skrūvi piestipriniet virzuli „A”.

► **Att.9:** 1. Skrūve 2. Virzulis „A” 3. Īsais kāts

IEVĒRĪBAI: 300 ml izmēra turētājam vienīgais iespējamais blīvēšanas materiāla trauka veids ir kasetne. Kātam noteikti piestipriniet virzuli „A”.

Lai noņemtu kātu un virzuli, iepriekš aprakstīto uzstādīšanas veiciet procedūru pretējā secībā.

Turētāja uzstādīšana vai noņemšana

⚠UZMANĪBU: Turētāju pie turētāja savienojuma nostipriniet cieši. Citādi turētājs ekspluatācijas laikā var atvienoties un kādu ievainot.

Lai turētāju uzstādītu, turētāju, vienlaikus pieturot turētāja savienojumu, cieši pagrieziet pulksteņrādītāju kustības virzienā, līdz tas atduras. Lai turētāju noņemtu, iepriekš aprakstītās darbības izpildiet pretējā secībā.

► **Att.10:** 1. Turētājs

600 ml vai 800 ml izmēra turētāja uzstādīšana vai noņemšana

Turētāja savienojuma uzstādīšana vai noņemšana

Cieši pievelkot skrūves, piestipriniet turētāja savienojumu un plāksni. Lai noņemtu turētāja savienojumu, iepriekš aprakstīto uzstādīšanas procedūru izpildiet apgrieztā secībā.

600 ml izmēra turētājam






► **Att.11:** 1. Skrūve 2. Plāksne 3. Turētāja savienojums

800 ml izmēra turētājam

► **Att.12:** 1. Skrūve 2. Turētāja savienojums un plāksne

Virzuļa veida atlase

Izvēlieties blīvēšanas materiāla traukam piemērotu virzuļa veidu, izmantojot nākamo tabulu.

	600 ml izmēra turētājs	800 ml izmēra turētājs
Kasetne	Virzulis „A” 	Virzulis „D” 
Plēves iesaiņojums	Virzulis „B” 	Virzulis „E” * 
Tiešā uzpilde	Virzulis „C” 	-

*. Papildpiederums

Kāta un virzuļa uzstādīšana un noņemšana

1. Kātu ievietojiet no darbarīka aizmugures puses ar zobiem uz leju.

► **Att.13:** 1. Garais kāts vai melnais kāts

IEVĒRĪBAI: 600 ml izmēra turētājam lietojiet garo kātu. 800 ml izmēra turētājam lietojiet melno kātu.

2. Ar skrūvi piestipriniet virzuli.

► **Att.14:** 1. Skrūve 2. Virzulis 3. Garais kāts vai melnais kāts

Lai noņemtu kātu un virzuli, iepriekš aprakstīto uzstādīšanas veiciet procedūru pretējā secībā.

600 ml vai 800 ml izmēra turētāja uzstādīšana vai noņemšana

⚠UZMANĪBU: Turētāju pie turētāja savienojuma nostipriniet cieši. Citādi turētājs ekspluatācijas laikā var atvienoties un kādu ievainot.

Lai turētāju uzstādītu, turētāju, vienlaikus pieturot turētāja savienojumu, cieši pagrieziet pulksteņrādītāju kustības virzienā, līdz tas atduras.

► **Att.15:** 1. Turētājs

Lai turētāju noņemtu, iepriekš aprakstītās darbības izpildiet pretējā secībā.

EKSPLUATĀCIJA

Kasetnes lietošana

Kasetnes sagatavošana lietošanai

1. Nogrieziet kasetnes sprauslas galiņu, lai tiktu pievadīts vajadzīgais blīvējamā materiāla daudzums.

► **Att.16:** 1. Uzgalis

2. Ar sprauslas galiņu izveidojiet atveri aizsargplēvē.

► **Att.17:** 1. Uzgalis

3. Pie kasetnes piestipriniet sprauslu.

IEVĒRĪBAI: Pirms uzstādīšanas noteikti pārbaudiet, vai kasetne nav bojāta. Bojāta kasetnes izmantošana var radīt darbības traucējumus.

IEVĒRĪBAI: Lietojot daļēji izmantotu kasetni, pirms uzstādīšanas noteikti izņemiet sacietējušo blīvēšanas materiālu.

Kasetnes uzstādīšana uz 300 ml izmēra turētāja

IEVĒRĪBAI: Pārliedzieties, ka virzulis „A” ir pievienots kātam. Kasetnei neizmantojiet cita veida virzuli.

1. Lēnām velciet kāta rokturi atpakaļ, līdz tas atduras.

► **Att.18:** 1. Kāta rokturis

2. Kasetni turētājā ievietojiet tā, kā attēlots zīmējumā.

► **Att.19**

3. Viegli bīdiet kātu, līdz virzulis skar kasetes apakšu.

Lai kasetni izņemtu, iepriekš aprakstītās darbības izpildiet pretējā secībā.

600 ml vai 800 ml izmēra turētāja uzstādīšana

IEVĒRĪBAI: Pārliedzieties, ka virzulis „A” (600 ml izmēra turētājam) vai virzulis „D” (800 ml izmēra turētājam) ir pievienots kātam. Kasetnei neizmantojiet cita veida virzuli.

1. No turētāja noņemiet vāciņu, tad kāta rokturi lēnām velciet atpakaļ, līdz tas atduras.

► **Att.20:** 1. Turētāja vāciņš 2. Kāta rokturis

2. Kasetni ievietojiet turētājā.

► **Att.21:** 1. Turētājs

3. Nostipriniet turētāja vāciņu, pieturot turētāju un cieši piegriežot vāciņu.

► **Att.22:** 1. Turētāja vāciņš 2. Turētājs

4. Viegli bīdiet kātu, līdz virzulis skar kasetes apakšu.

Lai kasetni izņemtu, iepriekš aprakstītās darbības izpildiet pretējā secībā.

Plēves tipa iesaiņojuma lietošana

Iesaiņojuma sagatavošana lietošanai

Nogrieziet iesaiņojuma galu.

► **Att.23**

IEVĒRĪBAI: Pirms uzstādīšanas noteikti pārbaudiet, vai iesaiņojums nav bojāts. Bojāta iesaiņojuma izmantošana var izraisīt nepareizu darbību.

Plēves tipa iesaiņojuma uzstādīšana 600 ml vai 800 ml izmēra turētājam

IEVĒRĪBAI: Pārliedzieties, ka virzulis „B” (600 ml izmēra turētājam) vai virzulis „E” (800 ml izmēra turētājam) ir pievienots kātam. Plēves tipa iesaiņojumam neizmantojiet cita veida virzuli.

1. No turētāja noņemiet vāciņu, sprauslu un gumijas gredzenu.

► **Att.24:** 1. Turētāja vāciņš 2. Uzgalis 3. Gumijas gredzens 4. Turētājs

2. Lēnām velciet kāta rokturi atpakaļ, līdz tas atduras.

3. Iesaiņojumu ievietojiet turētājā.

► **Att.25:** 1. Turētājs

4. Nostipriniet gumijas gredzenu, sprauslu un turētāja vāciņu, cieši piegriežot turētāja vāciņu.

► **Att.26:** 1. Turētāja vāciņš 2. Uzgalis 3. Gumijas gredzens 4. Turētājs

5. Viegli bīdiet kātu, līdz virzulis skar iesaiņojumu.

Lai iesaiņojumu izņemtu, noņemiet turētāja vāciņu, sprauslu, gumijas gredzenu un bīdiet kāta rokturi uz priekšu, līdz tas atduras.

Tiešā uzpilde

IEVĒRĪBAI: Pārliecinieties, ka 600 ml izmēra turētājs ir piestiprināts turētāja savienojumam un virzulis „C” ir piestiprināts virzulim. Tiešajai uzpildei neizmantojiet cita veida kātu un virzuli.

1. No turētāja noņemiet vāciņu, sprauslu un gumijas gredzenu.
▶ **Att.27:** 1. Turētāja vāciņš 2. Uzgalis 3. Gumijas gredzens 4. Turētājs
2. Lēnām bīdīet kāta rokturi, līdz tas atduras.
3. Turētāja galiņu ievietojiet blīvēšanas materiālā, tad lēnām velciet kāta rokturi, turētāju piepildot ar blīvēšanas materiālu.
▶ **Att.28:** 1. Turētājs
4. Nostipriniet gumijas gredzenu, sprauslu un turētāja vāciņu, cieši piegriežot turētāja vāciņu.
▶ **Att.29:** 1. Turētāja vāciņš 2. Uzgalis 3. Gumijas gredzens 4. Turētājs

Blīvēšanas process

Lai padotu blīvēšanas materiālu, nospiediet mēlīti. Lietošanas laikā turētāju ar vienu roku balstiet no apakšas. Pēc lietošanas no darbarīka noslaukiet blīvēšanas materiālu. Noteikti izņemiet blīvēšanas materiālu, pirms tas sāk cietēt.

PIEZĪME: Darbības sākumā ātruma regulēšanas skalu iestatiet uz „1” un lēnām spiediet slēdža mēlīti, lai pārbaudītu, cik daudz blīvēšanas materiāla tiek padots.

PIEZĪME: Blīvēšanas materiāla veida un stāvokļa dēļ blīvēšanas materiāls nelielā ātrumā varētu nebūt pievadāms. Šādā gadījumā ātruma regulēšanas skalu iestatiet lielākā ātrumā.

PIEZĪME: Ja blīvēšanas materiāls netiek padots, pārbaudiet šādas pozīcijas:

- nav atbilstoši nogriezts kasetnes sprauslas galiņš;
- blīvēšanas materiāls ir sacietējis un aizsprostojis sprauslu;
- bojāta kasetne vai iesaiņojums;
- stingrs blīvēšanas materiāls. Uzsildiet materiālu, līdz tas kļūst mīksts;
- pievienotais virzulis neatbilst blīvēšanas materiāla veidam.

APKOPE

UZMANĪBU: Pirms darbarīka pārbaudes vai apkopes vienmēr pārliecinieties, ka darbarīks ir izslēgts un akumulatora kasetne ir izņemta.

IEVĒRĪBAI: Nekad neizmantojiet gazolīnu, benzīnu, atšķaidītāju, spirtu vai līdzīgus šķīdumus. Tas var radīt izbalēšanu, deformāciju vai plaisas.

Lai saglabātu izstrādājuma DROŠU un UZTICAMU darbību, remontdarbus, apkopi un regulēšanu uzticiet veikt tikai Makita pilnvarotam vai rūpnīcas apkopes centram, un vienmēr izmantojiet tikai Makita rezerves daļas.

PAPILDU PIEDERUMI

UZMANĪBU: Šādi piederumi un papildierīces tiek ieteiktas lietošanai ar šajā rokasgrāmatā aprakstīto Makita darbarīku. Izmantojot citus piederumus vai papildierīces, var tikt radīta traumu gūšanas bīstamība. Piederumu vai papildierīci izmantojiet tikai paredzētajam mērķim.

Ja jums vajadzīga palīdzība vai precīzāka informācija par šiem piederumiem, vērsieties savā tuvākajā Makita apkopes centrā.

- Virzulis „A”
- Virzulis „B”
- Virzulis „C”
- Virzulis „D”
- Virzulis „E”
- 300 ml izmēra turētāja komplekts
- 600 ml izmēra turētāja komplekts
- 800 ml izmēra turētāja komplekts
- Sprausla (600 ml izmēra turētājam)
- Sprausla (800 ml izmēra turētājam)
- Aizsargbrilles
- Makita oriģinālais akumulators un lādētājs

PIEZĪME: Daži sarakstā norādītie izstrādājumi var būt iekļauti instrumenta komplektācijā kā standarta piederumi. Tie dažādās valstīs var būt atšķirīgi.

SPECIFIKACIJOS

Modelis:		CG100D
Maksimali tiekimo jėga		5 000 N
Tiekimo greitis		0–28 mm/s
Eiga	300 ml dydžio laikiklis	214 mm
	600 ml dydžio laikiklis	350 mm
	800 ml dydžio laikiklis	294 mm
Bendras ilgis	300 ml dydžio laikiklis	404 mm
	600 ml dydžio laikiklis	538 mm
	800 ml dydžio laikiklis	480 mm
Vardinė įtampa		Nuol. sr. 10,8 V - 12 V (daugiausiai)
Standartinė akumuliatoriaus kasetė		BL1015 / BL1016 / BL1020B / BL1021B / BL1040B / BL1041B
Įkroviklis		DC10SA / DC10SB / DC10WC / DC10WD
Grynasis svoris		1,9–2,6 kg

- Atlikame tęstinius tyrimus ir nuolat tobuliname savo gaminius, todėl čia pateikiamos specifikacijos gali būti keičiamos be įspėjimo.
- Įvairiose šalyse specifikacijos ir akumuliatoriaus kasetė gali skirtis.
- Svoris gali priklausyti nuo priedo (-ų), įskaitant akumuliatoriaus kasetę. Lengviausias ir sunkiausias deriniai pagal EPTA 2014 m. sausio mėn. procedūrą yra parodyti lentelėje.

Numatytoji naudojimo paskirtis

Šis įrankis skirtas paviršiumi paruošti užpildo medžiaga.

Triukšmas

Įprastas triukšmo A lygis, nustatytas pagal EN62841: Garso slėgio lygis (L_{pA}): 70 dB (A) arba mažiau
Paklaida (K): 3 dB (A)

Dirbant triukšmo lygis gali viršyti 80 dB (A).

PASTABA: Paskelbta (-os) triukšmo reikšmė (-ės) nustatyta (-os) pagal standartinį testavimo metodą ir jį galima naudoti vienam įrankiui palyginti su kitu.

PASTABA: Paskelbta (-os) triukšmo reikšmė (-ės) taip pat gali būti naudojama (-os) norint preliminariai įvertinti triukšmo poveikį.

⚠️ ĮSPĖJIMAS: Dėvėkite ausų apsaugą.

⚠️ ĮSPĖJIMAS: Faktiškai naudojant elektrinį įrankį, keliamos vibracijos dydis gali skirtis nuo paskelbtos (-ų) reikšmės (-ių), priklausomai nuo būdų, kuriais yra naudojamas šis įrankis, ir ypač nuo to, kokio tipo ruošinys apdirbamas.

⚠️ ĮSPĖJIMAS: Siekdami apsaugoti operatorių, būtina įvertinkite saugos priemones, remdamiesi vibracijos poveikio įvertinimu esant faktinėms naudojimo sąlygoms (atsižvelgdami į visas darbo ciklo dalis, pavyzdžiui, ne tik kiek laiko įrankis veikia, bet ir kiek kartų jis yra išjungiamas bei kai jis veikia be apkrovų).

Vibracija

Vibracijos bendroji vertė (traišio vektorius suma) nustatyta pagal EN62841 standartą:
Darbo režimas: veikimas be apkrovos
Vibracijos emisija (a_{h2}): 2,5 m/s² arba mažiau
Paklaida (K): 1,5 m/s²

PASTABA: Paskelbta (-os) vibracijos bendroji (-osios) reikšmė (-ės) nustatyta (-os) pagal standartinį testavimo metodą ir jį galima naudoti vienam įrankiui palyginti su kitu.

PASTABA: Paskelbta (-os) vibracijos bendroji (-osios) reikšmė (-ės) taip pat gali būti naudojama (-os) norint preliminariai įvertinti vibracijos poveikį.

⚠️ ĮSPĖJIMAS: Faktiškai naudojant elektrinį įrankį, keliamos vibracijos dydis gali skirtis nuo paskelbtos (-ų) reikšmės (-ių), priklausomai nuo būdų, kuriais yra naudojamas šis įrankis, ir ypač nuo to, kokio tipo ruošinys apdirbamas.

⚠️ ĮSPĖJIMAS: Siekdami apsaugoti operatorių, būtina įvertinkite saugos priemones, remdamiesi vibracijos poveikio įvertinimu esant faktinėms naudojimo sąlygoms (atsižvelgdami į visas darbo ciklo dalis, pavyzdžiui, ne tik kiek laiko įrankis veikia, bet ir kiek kartų jis yra išjungiamas bei kai jis veikia be apkrovų).

EB atitikties deklaracija

Tik Europos šalims

EB atitikties deklaracija yra pridama kaip šio instrukcijų vadovo A priedas.

SAUGOS ĮSPĖJIMAI

Bendrieji įspėjimai dirbant elektriniais įrankiais

▲ ĮSPĖJIMAS: Perskaitykite visus saugos įspėjimus, instrukcijas, iliustracijas ir techninius duomenis, pateiktus kartu su šiuo elektrinių įrankiu. Nesilaikant visų toliau išvardytų instrukcijų galima patirti elektrinio smūgio, gali kilti gaisras ir (arba) galima sunkiai susižaloti.

Išsaugokite visus įspėjimus ir instrukcijas, kad galėtumėte jas peržiūrėti ateityje.

Terminas „elektrinis įrankis“ pateiktuose įspėjimuose reiškia į maitinimo tinklą jungiamą (laidinį) elektrinį įrankį arba akumuliatoriaus maitinamą (belaidį) elektrinį įrankį.

Saugos įspėjimai dėl belaidžio užpildo pistoleto naudojimo

1. Rankas ir drabužius laikykite atokiai nuo strypo ir plunžerio srities. Antraip tarp dalių gali būti prispausti pirštai arba drabužiai.
2. Tvirtai laikykite įrankį.
3. Visada dirbkite gerai vėdinamoje vietoje ir dėvėkite tinkamas apsaugos priemones, atsižvelgdami į atliekamą darbą.
4. Prieš naudojimą perskaitykite ir vadovaukitės gamintojo nurodymais dėl užpildo medžiagos arba lipnios medžiagos.

SAUGOKITE ŠIAS INSTRUKCIJAS.

▲ ĮSPĖJIMAS: NELEISKITE, kad patogumas ir gaminio pažinimas (įgyjamas pakartotinai naudojant) susilpnintų griežtą saugos taisyklių, taikytinų šiam gaminiui, laikymąsi. Dėl NETINKAMO NAUDOJIMO arba saugos taisyklių, kurios pateiktos šioje instrukcijoje, nesilaikymo galima rimtai susižeisti.

Svarbios saugos instrukcijos, taikomos akumuliatoriaus kasetei

1. Prieš naudodami akumuliatoriaus kasetę, perskaitykite visas instrukcijas ir perspėjimus ant (1) akumuliatorių įkroviklio, (2) akumuliatorių ir (3) akumuliatorių naudojančio gaminio.
2. Neardykite akumuliatoriaus kasetės.
3. Jei įrankio darbo laikas žymiai sutrumpėjo, nedelsdami nutraukite darbą su įrankiu. Tai gali kelti perkaitimą, nudegimų ar net sprogdimo pavojų.
4. Jei elektrolitas pateko į akis, plaukite jas tyru vandeniu ir nedelsdami kreipkitės į gydytoją. Gali kilti regėjimo praradimo pavojus.

5. Neužtrumpinkite akumuliatoriaus kasetės:
 - (1) Nelieskite kontaktų degiomis medžiagomis.
 - (2) Venkite laikyti akumuliatoriaus kasetę kartu su kitais metaliniais daiktais, pavyzdžiui, vinimis, monetomis ir pan.
 - (3) Saugokite akumuliatoriaus kasetę nuo vandens ir lietaus.Trumpasis jungimas akumuliatoriuje gali sukelti stiprią srovę, perkaitimą, galimus nudegimus ar net akumuliatoriaus gedimą.
6. Nelaikykite įrankio ir akumuliatoriaus kasetės vietoje, kur temperatūra gali pasiekti ar viršyti 50 °C.
7. Nedeginkite akumuliatoriaus kasetės, net jei yra stipriai pažeista ar visiškai susidėvėjusi. Ugnyje akumuliatoriaus kasetę gali sprogti.
8. Saugokite akumuliatorių nuo kritimo ir smūgių.
9. Nenaudokite pažeisto akumuliatoriaus.
10. Įdėtomis ličio jonų akumuliatoriams taikomi Pavojingų prekių teisės akto reikalavimai. Komercinis transportas, pvz., trečiųjų šalių, prekių vežimo atstovų, turi laikytis specialaus reikalavimo ant pakuotės ir ženklavimo. Norėdami paruošti siųstiną prekę, pasitarkite su pavojingų medžiagų specialistu. Be to, laikykitės galimai išsamesnių nacionalinių reglamentų. Užklijuokite juosta arba padenkite atvirus kontaktus ir supakuokite akumuliatorių taip, kad jį pakuotėje nejudėtų.
11. Kai išmetate akumuliatoriaus kasetę, išimkite ją iš įrankio ir išmeskite saugioje vietoje. Vadovaukitės vietos reglamentais dėl akumuliatorių išmetimo.
12. Baterijas naudokite tik su „Makita“ nurodytais gaminiiais. Baterijas įdėjus į netinkamus gaminius gali kilti gaisras, gaminys pernelyg kaisti, kilti sprogimas arba pratekėti elektrolitas.
13. Jei įrankis bus ilgą laiką nenaudojamas, akumuliatorių būtina išimti iš įrankio.

SAUGOKITE ŠIAS INSTRUKCIJAS.

▲ PERSPĖJIMAS: Naudokite tik originalų „Makita“ akumuliatorių. Neoriginalaus „Makita“ arba pakeisto akumuliatoriaus naudojimas gali nulemti gaisrą, asmens sužalojimą ir pažeidimą. Tai taip pat panaikina „Makita“ suteikiamą „Makita“ įrankio ir įkroviklio garantiją.

Patarimai, ką daryti, kad akumuliatorius veiktų kuo ilgiau

1. Pakraukite akumuliatoriaus kasetę prieš jai visiškai išsikraunant. Visuomet nustokite naudoti įrankį ir pakraukite akumuliatoriaus kasetę, kai pastebite, kad įrankio galia sumažėjo.
2. Niekada nekraukite iki galo įkrautos akumuliatoriaus kasetės. Perkraunant trumpėja akumuliatoriaus eksploatacijos laikas.
3. Akumuliatoriaus kasetę kraukite esant kambario temperatūrai 10 - 40 °C. Prieš pradėdami krauti, leiskite įkaitusiai akumuliatoriaus kasetei atvėsti.

VEIKIMO APRAŠYMAS

⚠ PERSPĖJIMAS: Prieš pradėdami reguliuoti arba tikrinti įrankio veikimą, visuomet būtinai išjunkite įrankį ir išimkite akumuliatoriaus kasetę.

Akumuliatoriaus kasetės uždėjimas ir nuėmimas

⚠ PERSPĖJIMAS: Prieš įdėdami arba išimdami akumuliatoriaus kasetę, visada išjunkite įrankį.

⚠ PERSPĖJIMAS: Įdėdami arba išimdami akumuliatoriaus kasetę, tvirtai laikykite įrankį ir akumuliatoriaus kasetę. Jeigu įrankį ir akumuliatoriaus kasetę laikysite netvirtai, jie gali išslysti iš jūsų rankų, todėl įrankis ir akumuliatoriaus kasetė gali būti sugadinti, o naudotojas sužalotas.

► **Pav.1:** 1. Raudonas indikatorius 2. Mygtukas 3. Akumuliatoriaus kasetė

Jei norite išimti akumuliatoriaus kasetę, ištraukite ją iš įrankio, stumdami mygtuką, esantį kasetės priekyje.

Jei norite įdėti akumuliatoriaus kasetę, sulygiuokite liežuvelį ant akumuliatoriaus kasetės su grioveliu korpuso ir įstumkite į jai skirtą vietą. Įdėkite iki galo, kol spragtelėdama užsikisuos. Jeigu matote raudoną indikatorius viršutinėje mygtuko pusėje, ji nėra visiškai užfiksuota.

⚠ PERSPĖJIMAS: Akumuliatoriaus kasetę visada įkiškite iki galo, kol nebematysite raudono indikatorius. Priešingu atveju ji gali atsitiktinai iškristi iš įrankio, sužeisiti jus arba aplinkinius.

⚠ PERSPĖJIMAS: Nekiškite akumuliatoriaus kasetės jėga. Jeigu kasetė sunkiai lenda, ją kišate netinkamai.

Akumuliatoriaus apsaugos sistema

Įrankyje įrengta akumuliatoriaus apsaugos sistema. Ši sistema automatiškai atjungia variklio maitinimą, kad pailgėtų akumuliatoriaus naudojimo laikas.

Įrankis automatiškai išsijungs darbo metu, esant vienai iš šių įrankio ir (arba) akumuliatoriaus darbo sąlygų:

Perkrautas:

įrankis naudojamas taip, kad jame neįprastai padidėja elektros srovė.

Tokiu atveju atleiskite įrankio gaiduką ir nutraukite darbą, dėl kurio kilo įrankio perkrova. Po to vėl įjunkite įrankį.

Jeigu įrankis neįsijungia, reiškia perkaito akumuliatorius. Tokiu atveju palaukite, kol akumuliatorius atvės, paskui vėl galite įjungti įrankį.

Žema akumuliatoriaus įtampa:

Likęs akumuliatoriaus įkrovos lygis per žemas, todėl įrankis neveiks. Įjungus įrankį, variklis pradeda veikti, bet netrukus vėl išsijungia. Tokiu atveju išimkite akumuliatorių ir jį įkraukite.

Likusios akumuliatoriaus galios rodymas

Tik akumuliatoriaus kasetėms su indikatoriumi

► **Pav.2:** 1. Indikatorijų lemputės 2. Tikrinimo mygtukas

Paspauskite akumuliatoriaus kasetės tikrinimo mygtuką, kad būtų rodoma likusi akumuliatoriaus energija. Maždaug trims sekundėms užsidegs indikatorijų lemputės.

Indikatorijų lemputės		Likusi galia
Šviečia	Nešviečia	
■ ■ ■ ■	□	75% - 100%
■ ■ ■ □	□	50% - 75%
■ ■ □ □	□ □	25% - 50%
■ □ □ □	□ □ □ □	0% - 25%

PASTABA: Rodmuo gali šiek tiek skirtis nuo faktinės energijos lygio – tai priklauso nuo naudojimo sąlygų ir aplinkos temperatūros.

Jungiklio veikimas

⚠ ĮSPĖJIMAS: Prieš montuodami akumuliatoriaus kasetę įrankyje, visuomet patikrinkite, ar gaidukas tinkamai veikia ir atleistas grįžta į išjungimo padėtį „OFF“.

► **Pav.3:** 1. Gaidukas 2. Gaiduko fiksavimo mygtukas

Norint, kad gaidukas nebūtų atsitiktinai nuspaustas, įrengtas gaiduko fiksavimo mygtukas.

Norėdami įjungti įrankį, paspauskite gaiduko fiksavimo mygtuką iš A pusės ir patraukite už gaiduko. Stipriau spaudžiant gaiduką, įrankio veikimo greitis didėja.

Atleiskite gaiduką, jeigu norite sustabdyti įrankį.

Pabaigę darbą, nuspauskite gaiduko fiksavimo mygtuką iš B pusės.

Greičio reguliavimo ratukas

► **Pav.4:** 1. Greičio reguliavimo ratukas

Įrankio greitį galima reguliuoti sukančiomis greičio reguliavimo ratuką. Nustačius ties „5“, greitis bus didžiausias, o ties „1“ – mažiausias.

PASTABA: Greitai nesukite ratuko, kai įrankis veikia.

PASTABA: Priklausomai nuo užpildo medžiagos tipo ir sąlygų, ji gali būti nepaduodama mažu greičiu. Šiuo atveju nustatykite greičio reguliavimo ratuką ties didesnio greičio nuostata.

PASTABA: Keisdami greitį nuo „5“ iki „1“, sukite ratuką prieš laikrodžio rodyklę. Nesukite rankenėlės pagal laikrodžio rodyklę per jėgą.

Priekinės lemputės uždegimas

▲ PERSPĖJIMAS: Nežiūrėkite tiesiai į šviesą arba šviesos šaltinį.

► **Pav.5:** 1. Lemputė

Norėdami įjungti lemputę, šiek tiek patraukite gaiduką ir po to jį atleiskite. Atleisus gaiduką, lemputė užgesa maždaug po 10 sekundžių.

PASTABA: Jeigu prietaisas perkaista, pradeda žybcuoti lemputė. Palaukite, kol prietaisas visiškai atvės, o paskui vėl tęskite darbą.

PASTABA: Purvą nuo lempos objektyvo nuvalykite sausu skudurėliu. Būkite atsargūs, kad nesubraižytumėte lempos objektyvo, nes pablogės apšvietimas.

Perkrovos įspėjamoji lemputė

► **Pav.6:** 1. Įspėjamoji lemputė

Įspėjamoji lemputė mirksi, kai įrankis veikia didele apkrova. Jeigu apkrova padidėja ir įrankis perkraunamas, jis automatiškai sustabdomas ir įspėjamoji lemputė šviečia. Šiuo atveju atleiskite gaiduką ir pašalinkite perkrovos priežastį ir tuomet vėl paleiskite įrankį.

PASTABA: Kai mirksi įspėjamoji lemputė, patikrinkite šiuos dalykus:

- ar neužsikimšo užpildo medžiaga;
- ar greičio reguliavimo ratukas nustatytas į didelį greitį;
- ar kasetės antgalio galiuko ar plėvelės tipo pakuotės prapjauta sritis ne per maža.

Apsaugos nuo lašėjimo funkcija

Net ir atleisus gaiduką, variklis vis tiek dar kurį laiką veiks. Jis sumažina užpildo medžiagos slėgį ir apsaugo nuo lašėjimo.

SURINKIMAS

▲ PERSPĖJIMAS: Prieš darydami ką nors įrankiui visada patikrinkite, ar įrenginys išjungtas, o akumuliatorių kasetė – nuimta.

300 ml dydžio laikiklio įdėjimas ar išėmimas

Laikiklio jungties įdėjimas ir išėmimas

Tvirtai varžtais priveržkite laikiklio jungtį ir plokštelę. Jeigu norite išimti laikiklio jungtį, atlikite montavimo veiksmus atvirkščia eilės tvarka.

► **Pav.7:** 1. Varžtas 2. Plokštelė 3. Laikiklio jungtis

Strypo ir stūmoklio įdėjimas ir išėmimas

1. Iš įrankio galinės pusės įdėkite strypą taip, kad jo danteliai būtų nukreipti žemyn.

► **Pav.8:** 1. Trumpas strypas

2. Pritvirtinkite varžtu stūmoklį A.

► **Pav.9:** 1. Varžtas 2. Stūmoklis A 3. Trumpas strypas

PASTABA: 300 ml dydžio laikikliui galima užpildo medžiagos talpyklė yra tik kasetė. Būtinai pritvirtinkite stūmoklį A prie strypo.

Jeigu strypą ir stūmoklį norite nuimti, atlikite montavimo veiksmus atvirkščia eilės tvarka.

Laikiklio įdėjimas ir išėmimas

▲ PERSPĖJIMAS: Tvirtai pritvirtinkite laikiklį prie laikiklio jungties. Kitaip laikiklis dirbant gali atsilaisvinti ir sukelti sužalojimą.

Norėdami įdėti laikiklį, sukite jį tvirtai pagal laikrodžio rodyklę, kol jis sustos, prilaikydami laikiklio jungtį. Jeigu norite išimti laikiklį, atlikite montavimo veiksmus atvirkščia eilės tvarka.

► **Pav.10:** 1. Laikiklis

600 ml ar 800 ml dydžio laikiklio įdėjimas ir išėmimas

Laikiklio jungties įdėjimas ir išėmimas

Tvirtai varžtais priveržkite laikiklio jungtį ir plokštelę. Jeigu norite išimti laikiklio jungtį, atlikite montavimo veiksmus atvirkščia eilės tvarka.

600 ml dydžio laikikliui

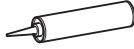







► **Pav.11:** 1. Varžtas 2. Plokštelė 3. Laikiklio jungtis

800 ml dydžio laikikliui

► **Pav.12:** 1. Varžtas 2. Laikiklio jungtis ir plokštelė

Stūmoklio tipo pasirinkimas

Šioje lentelėje pasirinkite tinkamą stūmoklio tipą pagal užpildo medžiagos talpyklę.

	600 ml dydžio laikiklis	800 ml dydžio laikiklis
Kasetė 	Stūmoklis A 	Stūmoklis D 
Plėvelės pakuotė 	Stūmoklis B 	Stūmoklis E* 
Tiesioginis užpildo tiekimas 	Stūmoklis C 	-

*. Pasirenkamasis priedas

Strypo ir stūmoklio įdėjimas ir išėmimas

1. Iš įrankio galinės pusės įdėkite strypą taip, kad jo danteliai būtų nukreipti žemyn.

► **Pav.13:** 1. Ilgas strypas arba juodas strypas

PASTABA: 600 ml dydžio laikikliui naudokite ilgą strypą. 800 ml dydžio laikikliui naudokite juodą strypą.

2. Pritvirtinkite stūmoklį varžtu.

► **Pav.14:** 1. Varžtas 2. Stūmoklis 3. Ilgas strypas arba juodas strypas

Jeigu strypą ir stūmoklį norite nuimti, atlikite montavimo veiksmus atvirkščia eilės tvarka.

600 ml ar 800 ml dydžio laikiklio įdėjimas ir išėmimas

⚠ PERSPĖJIMAS: Tvirtai pritvirtinkite laikiklį prie laikiklio jungties. Kitaip laikiklis dirbant gali atsilaisvinti ir sukelti sužalojimą.

Norėdami įdėti laikiklį, sukite jį tvirtai pagal laikrodžio rodyklę, kol jis sustos, prilaikydami laikiklio jungtį.

► **Pav.15:** 1. Laikiklis

Jeigu norite išimti laikiklį, atlikite montavimo veiksmus atvirkščia eilės tvarka.

NAUDOJIMAS

Kasetės naudojimas

Kasetės paruošimas naudojimui

1. Nupjaukite kasetės antgalio galiuką, kad būtų tiekiamas tinkamas užpildo medžiagos kiekis.

► **Pav.16:** 1. Antgalis

2. Antgalio galiuku padarykite skylę apsauginėje plėvelėje.

► **Pav.17:** 1. Antgalis

3. Pritvirtinkite antgalį prie kasetės.

PASTABA: Prieš įdėjimą patikrinkite kasetę, ar nepažeista. Dėl pažeistos kasetės įtaisas gali netinkamai veikti.

PASTABA: Kai pakartotinai naudojate dalinai panaudotą kasetę, prieš įdėjimą būtinai pašalinkite sukietėjusią užpildo medžiagą.

Kasetės įdėjimas į 300 ml dydžio laikiklį

PASTABA: Įsitinkinkite, ar stūmoklis A pritvirtintas prie strypo. Kasetei nenaudokite kito tipo stūmoklio.

1. Lėtai traukite strypo rankeną atgal, kol ji sustos.

► **Pav.18:** 1. Strypo rankena

2. Įdėkite kasetę į laikiklį, kaip parodyta piešinyje.

► **Pav.19**

3. Atsargiai stumkite strypą, kol stūmoklis palies kasetės apačią.

Jeigu norite išimti kasetę, atlikite montavimo veiksmus atvirkščia eilės tvarka.

Kasetės įdėjimas į 600 ml ar 800 ml dydžio laikiklį

PASTABA: Patikrinkite, ar stūmoklis A (600 ml dydžio laikikliui) arba stūmoklis D (800 ml dydžio laikikliui) yra pritvirtintas prie strypo. Kasetei nenaudokite kito tipo stūmoklio.

1. Nuimkite nuo laikiklio dangtelį ir tuomet lėtai traukite strypo rankeną atgal, kol ji sustos.

► **Pav.20:** 1. Laikiklio dangtelis 2. Strypo rankena

2. Įdėkite kasetę į laikiklį.

► **Pav.21:** 1. Laikiklis

3. Uždėkite laikiklio dangtelį tvirtai jį pasukę, prilaikydami laikiklį.

► **Pav.22:** 1. Laikiklio dangtelis 2. Laikiklis

4. Atsargiai stumkite strypą, kol stūmoklis palies kasetės apačią.

Jeigu norite išimti kasetę, atlikite montavimo veiksmus atvirkščia eilės tvarka.

Plėvelės tipo pakuotės naudojimas

Pakuotės paruošimas naudojimui

Nukirpkite pakuotės galiuką.

► **Pav.23**

PASTABA: Prieš įdėjimą būtinai patikrinkite pakuotę, ar nepažeista. Dėl pažeistos pakuotės įtaisas gali netinkamai veikti.

Plėvelės tipo pakuotės įdėjimas į 600 ml ar 800 ml dydžio laikiklį

PASTABA: Patikrinkite, ar stūmoklis B (600 ml dydžio laikikliui) arba stūmoklis E (800 ml dydžio laikikliui) yra pritvirtintas prie strypo. Plėvelės tipo pakuotei nenaudokite kito tipo stūmoklio.

1. Nuimkite laikiklio dangtelį, antgalį ir guminį žiedą nuo laikiklio.

► **Pav.24:** 1. Laikiklio dangtelis 2. Antgalis 3. Guminis žiedas 4. Laikiklis

2. Lėtai traukite strypo rankeną atgal, kol ji sustos.

3. Įdėkite pakuotę į laikiklį.

► **Pav.25:** 1. Laikiklis

4. Pritvirtinkite guminį žiedą, antgalį ir laikiklio dangtelį, tvirtai pasukdami laikiklio dangtelį.

► **Pav.26:** 1. Laikiklio dangtelis 2. Antgalis 3. Guminis žiedas 4. Laikiklis

5. Atsargiai stumkite strypą, kol stūmoklis palies pakuotę.

Norėdami išimti pakuotę, nuimkite laikiklio dangtelį, antgalį, guminį žiedą ir tuomet stumkite strypo rankeną pirmyn, kol sustos.

Tiesioginis užpildo tiekimas

PASTABA: Patikrinkite, ar 600 ml dydžio laikiklis yra pritvirtintas prie laikiklio jungties, o stūmoklis C – prie strypo. Tiesioginiam užpildo tiekimui nenaudokite kito tipo laikiklio ir stūmoklio.

1. Nuimkite laikiklio dangtelį, antgalį ir guminį žiedą nuo laikiklio.
▶ **Pav.27:** 1. Laikiklio dangtelis 2. Antgalis 3. Guminis žiedas 4. Laikiklis
2. Stumkite strypo rankeną iki galo, kol ji sustos.
3. Įdėkite laikiklio galiuką į užpildo medžiagą ir tuomet lėtai traukite strypo rankeną, kad laikiklis prisipildytų užpildo medžiagos.
▶ **Pav.28:** 1. Laikiklis
4. Pritvirtinkite guminį žiedą, antgalį ir laikiklio dangtelį, tvirtai pasukdami laikiklio dangtelį.
▶ **Pav.29:** 1. Laikiklio dangtelis 2. Antgalis 3. Guminis žiedas 4. Laikiklis

Užpildymas

Patraukite už gaiduko, kad užpildo medžiaga būtų tiekama. Vieną ranką dėkite po laikikliu, kad prilaikytumėte įrankį dirbdami. Po naudojimo nuvalykite nuo įrankio užpildo medžiagą. Būtinai pašalinkite užpildo medžiagą, kol ji dar nesukietėjo.

PASTABA: Darbo pradžioje nustatykite greičio reguliavimo ratuką ties „1“ ir lėtai patraukite gaiduką, kad patikrintumėte, kiek užpildo medžiagos yra tiekama.

PASTABA: Priklausomai nuo užpildo medžiagos tipo ir sąlygų, ji gali būti nepaduodama mažu greičiu. Šiuo atveju nustatykite greičio reguliavimo ratuką ties didesnio greičio nuostata.

PASTABA: Jeigu užpildo medžiaga būtų netiekama, patikrinkite šiuos dalykus:

- ar tinkamai nupjautas kasetės antgalio galiukas;
- ar nesukietėjusi užpildo medžiaga ir ar neužkimšusi antgalio;
- ar nepažeista kasetė ar pakuotė;
- ar nesukietėjusi užpildo medžiaga. Šildykite medžiagą, kol ji suminkštės.
- ar pritvirtintas stūmoklis tinka užpildo medžiagos tipui.

TECHNINĖ PRIEŽIŪRA

▲PERSPĖJIMAS: Visuomet įsitikinkite, ar įrankis yra išjungtas ir akumuliatoriaus kasetė yra nuimta prieš atlikdami apžiūrą ir priežiūrą.

PASTABA: Niekada nenaudokite gazolino, benzino, tirpiklio, spirito arba panašių medžiagų. Gali atsirasti išblukimų, deformacijų arba įtrūkimų.

Kad gaminyt būtų SAUGUS ir PATIKIMAS, jį taisyti, apžiūrėti ar vykdyti bet kokią kitą priežiūrą ar derinimą turi įgaliotasis kompanijos „Makita“ techninės priežiūros centras; reikia naudoti tik kompanijos „Makita“ pagamintas atsargines dalis.

PASIRENKAMI PRIEDAI

▲PERSPĖJIMAS: Šiuos papildomus priedus arba įtaisus rekomenduojama naudoti su šioje instrukcijoje nurodytu „Makita“ bendrovės įrankiu. Naudojant bet kokius kitus papildomus priedus arba įtaisus, gali kilti pavojus sužeisti žmones. Naudokite tik nurodytam tikslui skirtus papildomus priedus arba įtaisus.

Jeigu norite daugiau sužinoti apie tuos priedus, kreipkitės į artimiausią „Makita“ techninės priežiūros centrą.

- Stūmoklis A
- Stūmoklis B
- Stūmoklis C
- Stūmoklis D
- Stūmoklis E
- 300 ml dydžio laikiklio komplektas
- 600 ml dydžio laikiklio komplektas
- 800 ml dydžio laikiklio komplektas
- Antgalis (600 ml dydžio laikikliui)
- Antgalis (800 ml dydžio laikikliui)
- Apsauginiai akiniai
- Originalus „Makita“ akumuliatorius ir įkroviklis

PASTABA: Kai kurie sąrašė esantys priedai gali būti pateikti įrankio pakuotėje kaip standartiniai priedai. Jie įvairiose šalyse gali skirtis.

TEHNILISED ANDMED

Mudel:	CG100D	
Maksimaalne väljutamisjõud	5 000 N	
Väljutamiskiirus	0–28 mm/s	
Käik	300 ml suurune hoidik	214 mm
	600 ml suurune hoidik	350 mm
	800 ml suurune hoidik	294 mm
Üldpikkus	300 ml suurune hoidik	404 mm
	600 ml suurune hoidik	538 mm
	800 ml suurune hoidik	480 mm
Nimipinge	Alalisvool 10,8 V - 12 V max	
Standardne akukassett	BL1015 / BL1016 / BL1020B / BL1021B / BL1040B / BL1041B	
Laadija	DC10SA / DC10SB / DC10WC / DC10WD	
Netokaal	1,9–2,6 kg	

- Meie pideva uuringu- ja arendusprogrammi tõttu võidakse tehnilisi andmeid muuta ilma sellest ette teatamata.
- Tehnilised andmed ja akukassett võivad riigiti erineda.
- Kaal võib erineda olenevalt lisaseadistest, kaasa arvatud akukassettist. Kergeim ja raskeim kombinatsioon EPTA-protseduuri 01/2014 kohaselt on toodud tabelis.

Kavandatud kasutus

Tööriist on ette nähtud vuugitaitematerjali kandmiseks tööpinna.

Müra

Tüüpiline A-korrigeeritud müratase, määratud standardi EN62841 kohaselt:

Helirõhutase (L_{pA}): 70 dB (A) või vähem
Määramatus (K): 3 dB (A)

Töötamisel võib müratase ületada 80 dB (A).

MÄRKUS: Deklareeritud müra väärtust (väärtuseid) on mõõdetud kooskõlas standardse katsemeetodiga ning seda võib kasutada ühe seadme võrdlemiseks teisega.

MÄRKUS: Deklareeritud müra väärtust (väärtuseid) võib kasutada ka mürataseme esmaseks hindamiseks.

⚠️HOIATUS: Kasutage kõrvakaitsmeid.

⚠️HOIATUS: Müratase võib elektritööriista tegelikkuses kasutamise ajal erineda deklareeritud väärtus(t)est olenevalt tööriista kasutusviisidest ja eriti töödeldavast toorikust.

⚠️HOIATUS: Rakendage operaatori kaitsmiseks kindlasti piisavaid ohutusabinõusid, mis põhinevad hinnangulisel müratasemel tegelikus tööolukorras (võttes arvesse tööperioodi kõiki osasid, näiteks korrad, kui seade lülitatakse välja ja seade töötab tühikäigul, lisaks tööajale).

Vibratsioon

Vibratsiooni koguväärtus (kolmeteljeliste vektorite summa) määratud standardi EN62841 kohaselt:

Töörežiim: töötamine ilma laenguta
Vibratsiooniheide (a_h): 2,5 m/s² või vähem
Määramatus (K): 1,5 m/s²

MÄRKUS: Deklareeritud vibratsiooni koguväärtust (-väärtuseid) on mõõdetud kooskõlas standardse katsemeetodiga ning seda võib kasutada ühe seadme võrdlemiseks teisega.

MÄRKUS: Deklareeritud vibratsiooni koguväärtust (-väärtuseid) võib kasutada ka mürataseme esmaseks hindamiseks.

⚠️HOIATUS: Vibratsioonitase võib elektritööriista tegelikkuses kasutamise ajal erineda deklareeritud väärtus(t)est olenevalt tööriista kasutusviisidest ja eriti töödeldavast toorikust.

⚠️HOIATUS: Rakendage operaatori kaitsmiseks kindlasti piisavaid ohutusabinõusid, mis põhinevad hinnangulisel müratasemel tegelikus tööolukorras (võttes arvesse tööperioodi kõiki osasid, näiteks korrad, kui seade lülitatakse välja ja seade töötab tühikäigul, lisaks tööajale).

EÜ vastavusdeklaratsioon

Ainult Euroopa riikide puhul

EÜ vastavusdeklaratsioon sisaldub käesoleva juhendi Lisas A.

OHUTUSHOIATUSED

Üldised elektritööriistade ohutusohiatused

⚠HOIATUS: Lugege läbi kõik selle elektritööriistaga kaasas olevad ohutusohiatused, juhised, joonised ja tehnilised andmed. Järgnevate juhiste eiramine võib põhjustada elektrilöögi, süttimise ja/või raske kehavigastuse.

Hoidke edaspidisteks viideteks alles kõik hoiatused ja juhtnöörid.

Hoiatuses kasutatud termini „elektritööriist“ all peetakse silmas elektriga töötavaid (juhtmega) elektritööriistu või akuga töötavaid (juhtmata) elektritööriistu.

Juhtmevaba vuugitaitepüstoli ohutusjuhised

1. Hoidke käed ja riided kolvivarda ja kolvi ümbrusest eemal, sest muidu võivad sõrmed või riided sinna vahele kinni jääda.
2. Hoidke tööriistast kindlalt kinni.
3. Töötage alati hästi õhutatud kohas ja kandke tööle vastavaid kaitsevahendeid.
4. Tutvuge ja järgige enne töö alustamist tootja juhiseid vuugitaitematerjali või nakkuva materjali kohta.

HOIDKE JUHEND ALLES.

⚠HOIATUS: ÄRGE UNUSTAGE järgida toote ohutusnõudeid mugavuse või toote (korduskasutamise saavutatud) hea tundmise tõttu. **VALE KASUTUS** või kasutusjuhendi ohutuseeskirjade eiramine võib põhjustada tervisekahjustusi.

Akukassetiga seotud olulised ohutusjuhised

1. Enne akukassetti kasutamist lugege (1) akulaadimise, (2) aku ja (3) seadmel olevad juhtnöörid ja hoiatused läbi.
2. Ärge võtke akukassetti lahti.
3. Kui tööaeg järsult lüheneb, siis lõpetage kohe kasutamine. Edasise kasutamise tulemuseks võib olla ülekuumenemisoht, võimalikud põletused või isegi plahvatused.
4. Kui elektrolüüti satub silma, siis loputage silma puhta veega ja pöörduge koheselt arsti poole. Selline õnnetus võib põhjustada pimedaksjäämist.
5. Ärge tekitage akukassetis lühist:
 - (1) Ärge puutuge klemme elektrijuhtidega.
 - (2) Ärge hoidke akukassetti tööriistakastis koos metallesemetega, nagu naelad, mündid jne.
 - (3) Ärge tehke akukassetti märjaks ega jätke seda vihha kätte.

Aku lühis võib põhjustada tugevat elektrivoolu, ülekuumenemist, põletusi ning ka seedet tõsiselt kahjustada.

6. Ärge hoidke tööriista ja akukassetti kohtades, kus temperatuur võib tõusta üle 50 °C.
7. Ärge põletage akukassetti isegi siis, kui see on saanud tõsiselt vigastada või on täiesti kulunud. Akukassett võib tules plahvatada.
8. Olge ettevaatlik, ärge laske akul maha kukkuda ja vältige lööke.
9. Ärge kasutage kahjustatud akut.
10. Sisalduvatele liitium-ioonakudele võivad kohalduda ohtlike kaupade õigusaktide nõuded.
Kaubanduslikul transportimisel, näiteks kolmanda poolte või transpordiettevõtete poolt, tuleb järgida pakendil ja siltidel toodud erinõudeid. Transportimiseks ettevalmistamisel on vajalik pida nõu ohtliku materjali eksperdigiga. Samuti tuleb järgida võimalike riiklike regulatsioonide üksikasjalikumaid nõudeid.
Katke teibiga või varjake avatud kontaktid ja pakendage aku selliselt, et see ei saaks pakendis liukuda.
11. Kasutuskõlbmatuks muutunud akukassetti kõrvaldamiseks eemaldage see tööriistast ja viige selleks ette nähtud kohta. Järgige kasutuskõlbmatuks muutunud aku kõrvaldamisel kohalikke eeskirju.
12. Kasutage akusid ainult Makita heaks kiidetud toodetega. Akude paigaldamine selleks mitte ettenähtud toodetele võib põhjustada süttimist, ülemäärast kuumust, plahvatamist või elektrolüüdi lekkimist.
13. Kui tööriista ei kasutata pika ajaperioodi jooksul, tuleb aku tööriistast eemaldada.

HOIDKE JUHEND ALLES.

⚠ETTEVAATUST: Kasutage ainult Makita originaalakusid. Mitte Makita originaalakude või muudetud akude kasutamine võib põhjustada akude süttimise, kehavigastuse ja kahjustuse. Samuti muudab see kehtetuks Makita tööriista ja laadija Makita garantii.

Vihjeid aku maksimaalse kasutusaaja tagamise kohta

1. Laadige akukassetti enne selle täielikku tühjenemist. Kui märkate, et tööriist töötab väiksema võimsusega, peatage töö ja laadige akukassetti.
2. Ärge laadige täielikult laetud akukassetti. Ülelaadimine lühendab akude kasutusiga.
3. Laadige akukassetti toatemperatuuril 10 °C - 40 °C. Enne laadimist laske kuumenenud akukassetil maha jahtuda.

FUNKTSIONAALNE KIRJELDUS

⚠ETTEVAATUST: Kandke alati hoolt selle eest, et tööriist oleks enne reguleerimist ja kontrollimist välja lülitatud ja akukassett eemaldatud.

Akukasseti paigaldamine või eemaldamine

⚠ETTEVAATUST: Lülitage tööriist alati enne akukasseti paigaldamist või eemaldamist välja.

⚠ETTEVAATUST: Akukasseti paigaldamisel või eemaldamisel tuleb tööriista ja akukasseti kindlalt paigal hoida. Kui tööriista ja akukasseti ei hoita kindlalt paigal, võivad need käest libiseda ning kahjustada tööriista ja akukasseti või põhjustada kehavigastusi.

► **Joon.1:** 1. Punane näidik 2. Nupp 3. Akukassett

Akukasseti eemaldamiseks libistage see tööriista küljest lahti, vajutades kasseti esiküljel paiknevat nuppu alla.

Akukasseti paigaldamiseks joondage akukasseti keel korpuse soonega ja libistage kassett oma kohale. Paigaldage akuadapter alati nii kaugemale, et see lukustus klõpsatusega oma kohale. Kui näete nupu ülaoas punast osa, pole kassett täielikult lukustunud.

⚠ETTEVAATUST: Paigaldage akukassett alati täies ulatuses nii, et punast osa ei jääks näha. Muidu võib adapter juhuslikult tööriistast välja kukkuda ning põhjustada teile või läheduses viibivatele isikutele vigastusi.

⚠ETTEVAATUST: Ärge rakendage akukasseti paigaldamisel jõudu. Kui kassett ei lähe kergesti sisse, pole see õigesti paigaldatud.

Aku kaitsesüsteem

Tööriist on varustatud aku kaitsesüsteemiga. Süsteem lülitab mootori automaatselt välja, et pikendada aku tööiga.

Tööriist seiskub käitamise ajal automaatselt, kui tööriista ja/või aku kohta kehtivad järgmised tingimused:

Ülekoormus:

Tööriista kasutatakse viisil, mis põhjustab toitevoolu tugevuse tõusu lubatust kõrgemale. Sellisel juhul lülitage tööriist välja ning lõpetage tööriista ülekoormuse põhjustanud tegevus. Pärast seda käivitage tööriist uuesti.

Kui tööriist ei käivitu, on aku üle kuumenenud. Sellises olukorras laske akul enne tööriista uuesti sisselülitamist jahtuda.

Madal akupinge:

Järelejäänud aku voolutugevus on liiga väike ja tööriist ei tööta. Tööriista sisse lülitades hakkab mootor tööle, kuid seiskub peatselt. Sellisel juhul eemaldage aku ja laadige seda.

Aku jääkmahutavuse näit

Ainult näidikuga akukassettidele

► **Joon.2:** 1. Märgulambid 2. Kontrollimise nupp

Akukasseti järelejäänud mahutavuse kontrollimiseks vajutage kontrollimise nuppu. Märgulambid süttivad mõneks sekundiks.

Märgulambid		Jääkmahutavus
Pöleb	Ei põle	
■ ■ ■ ■	□	75–100%
■ ■ ■ □	□	50–75%
■ ■ □ □	□ □	25–50%
■ □ □ □	□ □ □	0–25%

MÄRKUS: Näidatud mahutavus võib veidi erineda tegelikust mahutavusest olenevalt kasutustingimustest ja ümbritseva keskkonna temperatuurist.

Lüliti funktsioneerimine

⚠HOIATUS: Kontrollige alati enne akukasseti tööriista külge paigaldamist, kas lüliti päästik funktsioneerib nõuetekohaselt ja liigub lahtilaskmisel tagasi väljalülitatud asendisse.

► **Joon.3:** 1. Lüliti päästik 2. Päästikukulu nupp

Selleks et lüliti päästikut poleks võimalik juhuslikult vajutada, on tööriistal päästikukulu nupp. Tööriista käivitamiseks vajutage päästikukulu nuppu A poolelt ning vajutage lüliti päästikut. Tööriista kiirus kasvab siis, kui suurendate survet lüliti päästikule. Seiskamiseks vabastage lüliti päästik. Pärast kasutamist vajutage päästikukulu nuppu B-poolelt.

Kiirusregulaator

► **Joon.4:** 1. Kiirusregulaator

Tööriista kiirust saab reguleerida kiirusregulaatorit keerates. Suurima kiiruse tagab säte 5 ja väikseima kiiruse säte 1.

TÄHELEPANU: Ärge pöörake ketast kiiresti, kui tööriist töötab.

TÄHELEPANU: Olenevalt vuugitäitematerjali tüübist ja seisukorrast ei pruugi väljutamine aeglase kiirusega töötamisel toimida. Sellisel juhul seadke kiiruse reguleerimisrõngas suurema numbriga peale.

TÄHELEPANU: Muutes kiirusregulaatorit asendist „5” asendisse „1”, pöörake regulaatorit vastupäeva. Ärge pöörake regulaatorit jõuga päripäeva.

Eesmise lambi süütamine

⚠ETTEVAATUST: Ärge vaadake otse valgusse ega valgusallikat.

► **Joon.5:** 1. Lamp

Lambi sisselülitamiseks tõmmake kergelt lüliti päästikut ja seejärel vabastage see. Lamp kustub umbes 10 sekundit pärast lüliti päästiku vabastamist.

TÄHELEPANU: Kui tööriist üle kuumeneb, siis hakkab tuli vilkuma. Laske tööriistal enne uuesti kasutamist täielikult maha jahtuda.

MÄRKUS: Pühkige lamp kuiva lapiga puhtaks. Olge seda tehes ettevaatlik, et lambi läätse mitte kriimustada, sest muidu võib valgustus väheneda.

Ülekoormuse märgutuli

► **Joon.6:** 1. Märgutuli

Märgutuli vilgub, kui tööriista koormus on väga suur. Kui koormus suureneb ja tööriist on ülekoormatud, peatub tööriist automaatselt ning märgutuli jätkab põlemist. Sel juhul vabastage lüliti päästik ja eemaldage ülekoormuse põhjus ning käivitage tööriist uuesti.

MÄRKUS: Kui märgutuli vilgub, kontrollige järgmisi punkte:

- Vuugitaitematerjalist on tekkinud ummistus.
- Kiiruse reguleerimisrõngas on seadistatud suurele kiirusele.
- Kartonghülsi otsaku tipu lõikepiirkond või polümeerpakend on liiga väike.

Tilkumist ennetav funktsioon

Mootor käib lühikest aega veel edasi isegi pärast seda, kui päästik on lahti lastud. Niimoodi vähendatakse survet vuugitaitematerjalile ning ennetatakse tilkumist.

KOKKUPANEK

⚠ETTEVAATUST: Kandke alati hoolt selle eest, et tööriist oleks enne igasuguseid hooldustöid välja lülitatud ja akukassett eemaldatud.

300 ml suuruse hoidiku paigaldamine või eemaldamine

Hoidiku liitmiku paigaldamine või eemaldamine

Kinnitage hoidiku liitmik ja plaat, keerates kruvid tugevalt kinni. Hoidiku liitmiku eemaldamiseks järgige paigaldamise protseduuri vastupidises järjekorras.

► **Joon.7:** 1. Kruvi 2. Plaat 3. Hoidiku liitmik

Kolvivarda ja kolvirõnga paigaldamine või eemaldamine

1. Sisestage kolvivarras tööriista tagaküljelt nii, et hambad oleks suunatud allapoole.

► **Joon.8:** 1. Lühike kolvivarras

2. Kinnitage kolvirõngas A kruviga.

► **Joon.9:** 1. Kruvi 2. Kolvirõngas A 3. Lühike kolvivarras

TÄHELEPANU: Vuugitaitematerjali mahuti 300 ml suurusele hoidikule on kättesaadav ainult kartonghülšina. Kinnitage kindlasti kolvirõngas A kolvivarda külge.

Kolvivarda ja kolvirõnga eemaldamiseks järgige paigaldamise protseduuri vastupidises järjekorras.

Hoidiku paigaldamine või eemaldamine

⚠ETTEVAATUST: Kinnitage hoidik tugevalt hoidiku liitmiku külge, sest muidu võib hoidik töö ajal ära tulla ja vigastusi tekitada.

Hoidiku paigaldamiseks pöörake seda tugevalt päripäeva, kuni see peatub, samal ajal hoidiku liitmikku hoides. Hoidiku eemaldamiseks järgige paigaldamise protseduuri vastupidises järjekorras.

► **Joon.10:** 1. Hoidik

600 ml või 800 ml suuruse hoidiku paigaldamine või eemaldamine

Hoidiku liitmiku paigaldamine või eemaldamine

Kinnitage hoidiku liitmik ja plaat, keerates kruvid tugevalt kinni. Hoidiku liitmiku eemaldamiseks järgige paigaldamise protseduuri vastupidises järjekorras.

600 ml suurusele hoidikule

► **Joon.11:** 1. Kruvi 2. Plaat 3. Hoidiku liitmik

800 ml suurusele hoidikule

► **Joon.12:** 1. Kruvi 2. Hoidiku liitmik ja plaat

Kolvirõnga tüübi valimine

Valige kolvirõnga õige tüüp vuugitaitematerjali mahuti järgi, kasutades järgmist tabelit.

	600 ml suurune hoidik	800 ml suurune hoidik
Kartonghülss	Kolvirõngas A	Kolvirõngas D
Polümeerpakend	Kolvirõngas B	Kolvirõngas E *
Otsetäitmine	Kolvirõngas C	-

*. Valikuline lisaseadis

Kolvivarda ja kolvirõnga paigaldamine või eemaldamine

1. Sisestage kolvivarras tööriista tagaküljelt nii, et hambad oleks suunatud allapoole.

► **Joon.13:** 1. Pikk kolvivarras või must kolvivarras

TÄHELEPANU: 600 ml suuruse hoidiku jaoks kasutage pikka kolvivarrast. 800 ml suuruse hoidiku jaoks kasutage musta kolvivarrast.

2. Kinnitage kolvirõngas kruviga.

► **Joon.14:** 1. Kruvi 2. Kolvirõngas 3. Pikk kolvivarras või must kolvivarras

Kolvivarda ja kolvirõnga eemaldamiseks järgige paigaldamise protseduuri vastupidises järjekorras.

600 ml või 800 ml suuruse hoidiku paigaldamine või eemaldamine

⚠ETTEVAATUST: Kinnitage hoidik tugevalt hoidiku liitmiku külge, sest midu võib hoidik töö ajal ära tulla ja vigastusi tekitada.

Hoidiku paigaldamiseks pöörake seda tugevalt päripäeva, kuni see peatub, samal ajal hoidiku liitmikku hoides.

► **Joon.15:** 1. Hoidik

Hoidiku eemaldamiseks järgige paigaldamise protseduuri vastupidises järjekorras.

TÖÖRIISTA KASUTAMINE

Kartonghülssi kasutamine

Kartonghülssi kasutamiseks ettevalmistamine

1. Lõigake kartonghülssi otsaku tipp selliselt, et väljutatakse sobiv kogus vuugitähematerjali.

► **Joon.16:** 1. Otsak

2. Tehke otsaku tipuga kaitsekilesse auk.

► **Joon.17:** 1. Otsak

3. Kinnitage otsak kartonghülssi külge.

TÄHELEPANU: Kontrollige kartonghülssi enne paigaldamist kindlasti kahjustuste suhtes. Kahjustatud kartonghülssi kasutamine võib põhjustada talitlushäireid.

TÄHELEPANU: Osaliselt kasutatud kartonghülssi korduvalt kasutades eemaldage enne paigaldamist kindlasti tahke vuugitähematerjal.

300 ml suuruse hoidiku paigaldamine

TÄHELEPANU: Veenduge, et kolvirõngas A oleks korralikult kolvivarda külge kinnitatud. Ärge kasutage kartonghülssi jaoks teist tüüpi kolvirõngast.

1. Tõmmake kolvivarda käepidet aeglaselt taha-
poole, kuni see seiskub.

► **Joon.18:** 1. Kolvivarda käepide

2. Paigaldage kartonghülss hoidikusse, nagu joonisel näidatud.

► **Joon.19**

3. Vajutage kolvivarrast õrnalt, kuni kolvirõngas puutub vastu kartonghülssi põhja.

Kartonghülssi eemaldamiseks järgige paigaldamise protseduuri vastupidises järjekorras.

Kartonghülssi paigaldamine 600 ml ja 800 ml suurusele hoidikule

TÄHELEPANU: Veenduge, et kolvirõngas A (600 ml suurusele hoidikule) või kolvirõngas D (800 ml suurusele hoidikule) oleks kinnitatud kolvivarda külge. Ärge kasutage kartonghülssi jaoks teist tüüpi kolvirõngast.

1. Eemaldage hoidiku kork hoidikult ja seejärel tõmmake kolvivarda käepidet aeglaselt tahapoole, kuni see seiskub.

► **Joon.20:** 1. Hoidiku kork 2. Kolvivarda käepide

2. Pange kartonghülss hoidiku sisse.

► **Joon.21:** 1. Hoidik

3. Kinnitage hoidiku kork, keerates seda tugevalt, hoidikut samal ajal hoides.

► **Joon.22:** 1. Hoidiku kork 2. Hoidik

4. Vajutage kolvivarrast õrnalt, kuni kolvirõngas puutub vastu kartonghülssi põhja.

Kartonghülssi eemaldamiseks järgige paigaldamise protseduuri vastupidises järjekorras.

Polümeerpakendi kasutamine

Pakendi kasutamiseks ettevalmistamine

Lõigake pakendi ots ära.

► **Joon.23**

TÄHELEPANU: Kontrollige pakendit enne paigaldamist kindlasti kahjustuste suhtes. Kahjustatud pakendi kasutamine võib põhjustada talitlushäireid.

Polümeerpakendi paigaldamine 600 ml ja 800 ml suurusele hoidikule

TÄHELEPANU: Veenduge, et kolvirõngas B (600 ml suurusele hoidikule) või kolvirõngas E (800 ml suurusele hoidikule) oleks kinnitatud kolvivarda külge. Ärge kasutage polümeerpakendi jaoks teist tüüpi kolvirõngast.

1. Eemaldage hoidiku kork, otsak ja kummirõngas hoidikult.

► **Joon.24:** 1. Hoidiku kork 2. Otsak 3. Kummirõngas 4. Hoidik

2. Tõmmake kolvivarda käepidet aeglaselt taha-
poole, kuni see seiskub.

3. Sisestage pakend hoidikusse.

► **Joon.25:** 1. Hoidik

4. Kinnitage kummirõngas, otsak ja hoidiku kork, keerates hoidiku korki tugevalt.

► **Joon.26:** 1. Hoidiku kork 2. Otsak 3. Kummirõngas 4. Hoidik

5. Vajutage kolvivarast õrnalt, kuni kolvirõngas puutub vastu pakendit.

Pakendi eemaldamiseks eemaldage hoidiku kork, otsak, kummirõngas ning seejärel lükake kolvivarada käepidet ettepoole, kuni see seiskub.

Otsetäitmine

TÄHELEPANU: Veenduge, et 600 ml suurune hoidik oleks kinnitatud hoidiku liitmiku külge ja kolvirõngas C oleks kinnitatud kolvivarada külge. Ärge kasutage otsetäitmise jaoks teist tüüpi hoidikut ja kolvirõngast.

1. Eemaldage hoidiku kork, otsak ja kummirõngas hoidikult.

► **Joon.27:** 1. Hoidiku kork 2. Otsak 3. Kummirõngas 4. Hoidik

2. Lükake kolvivarada käepidet lõpuni, kuni see seiskub.

3. Pange hoidiku ots vuugitaitematerjali sisse ja seejärel tõmmake kolvivarada käepidet aeglaselt, et hoidik vuugitaitematerjaliga täita.

► **Joon.28:** 1. Hoidik

4. Kinnitage kummirõngas, otsak ja hoidiku kork, keerates hoidiku korki tugevalt.

► **Joon.29:** 1. Hoidiku kork 2. Otsak 3. Kummirõngas 4. Hoidik

Vuugitaitmise toiming

Tõmmake vuugitaitematerjali väljutamiseks päästikut.

Pange üks käsi hoidiku alla, et tööriista selle kasutamise ajal toetada.

Pärast töö lõpetamist pühkige vuugitaitematerjal tööriista küljest ära. Eemaldage vuugitaitematerjal kindlasti enne, kui see tahkeks muutub.

MÄRKUS: Töö alguses seadistage kiirus, liigutades reguleerimisrõnga „1” peale, ja tõmmake lüliti päästikut aeglaselt, et kontrollida, kui palju vuugitaitematerjali väljutatakse.

MÄRKUS: Olenevalt vuugitaitematerjali tüübist ja seisukorrast ei pruugi väljutamine aeglase kiirusega töötamisel toimida. Sellisel juhul seadke kiiruse reguleerimisrõngas suurema numbriga peale.

MÄRKUS: Kui vuugitaitematerjali ei väljutata, kontrollige järgmisi punkte:

- Kartonghülsi otsak ei ole õigesti lõigatud.
- Vuugitaitematerjal on tahke ja otsaku ummistanud.
- Kartonghülss või pakend on kahjustatud.
- Vuugitaitematerjal on kõva. Soojendage materjali, kuni see muutub pehmeks.
- Kinnitatud kolvirõngas ei sobi sellele vuugitaitematerjali tüübile.

HOOLDUS

ÄTTEVAATUST: Enne kontrolli- või hooldustoimingute tegemist kandke alati hoolt selle eest, et tööriist oleks välja lülitatud ja akukassett korpuse küljest eemaldatud.

TÄHELEPANU: Ärge kunagi kasutage bensiini, vedeldit, alkoholi ega midagi muud sarnast. Selle tulemuseks võib olla luitumine, deformatsioon või pragunemine.

Toote OHUTUSE ja TÕÕKINDLUSE tagamiseks tuleb vajalikud remonttööd ning muud hooldus- ja reguleerimistööd lasta teha Makita volitatud teeninduskeskustes või tehase teeninduskeskustes. Alati tuleb kasutada Makita varuosi.

VALIKULISED TARVIKUD

ÄTTEVAATUST: Neid tarvikuid ja lisaseadiseid on soovitatav kasutada koos Makita tööriistaga, mille kasutamist selles kasutusjuhendis kirjeldatakse. Muude tarvikute ja lisaseadiste kasutamisega kaasneb vigastada saamise oht. Kasutage tarvikuid ja lisaseadiseid ainult otstarbekohaselt.

Saate vajaduse korral kohalikust Makita teeninduskeskusest lisateavet nende tarvikute kohta.

- Kolvirõngas A
- Kolvirõngas B
- Kolvirõngas C
- Kolvirõngas D
- Kolvirõngas E
- 300 ml suurune hoidikukomplekt
- 600 ml suurune hoidikukomplekt
- 800 ml suurune hoidikukomplekt
- Otsak (600 ml suurusele hoidikule)
- Otsak (800 ml suurusele hoidikule)
- Kaitseprillid
- Makita algupärane aku ja laadija

MÄRKUS: Mõned nimekirjas loetletud tarvikud võivad kuuluda standardvarustusse ning need on lisatud tööriista pakendisse. Need võivad riigiti erineda.

ТЕХНИЧЕСКИЕ ХАРАКТЕРИСТИКИ

Модель:		CG100D
Максимальное усилие подачи		5 000 Н
Скорость подачи		0 - 28 мм/с
Ход поршня	Держатель объемом 300 мл	214 мм
	Держатель объемом 600 мл	350 мм
	Держатель объемом 800 мл	294 мм
Общая длина	Держатель объемом 300 мл	404 мм
	Держатель объемом 600 мл	538 мм
	Держатель объемом 800 мл	480 мм
Номинальное напряжение		10,8 - 12 В пост. тока, макс.
Стандартный блок аккумулятора		BL1015 / BL1016 / BL1020B / BL1021B / BL1040B / BL1041B
Зарядное устройство		DC10SA / DC10SB / DC10WC / DC10WD
Масса нетто		1,9 - 2,6 кг

- Благодаря нашей постоянно действующей программе исследований и разработок указанные здесь технические характеристики могут быть изменены без предварительного уведомления.
- Технические характеристики и аккумуляторный блок могут отличаться в зависимости от страны.
- Масса может отличаться в зависимости от дополнительного оборудования. Обратите внимание, что блок аккумулятора также считается дополнительным оборудованием. В таблице представлены комбинации с наибольшим и наименьшим весом в соответствии с процедурой EPTA 01/2014.

Назначение

Этот инструмент предназначен для нанесения герметика на поверхность.

Шум

Типичный уровень взвешенного звукового давления (A), измеренный в соответствии с EN62841:
 Уровень звукового давления (L_{pA}): 70 дБ (или менее)
 Погрешность (K): 3 дБ (A)

Уровень шума при выполнении работ может превышать 80 дБ (A).

ПРИМЕЧАНИЕ: Заявленное значение распространения шума измерено в соответствии со стандартной методикой испытаний и может быть использовано для сравнения инструментов.

ПРИМЕЧАНИЕ: Заявленное значение распространения шума можно также использовать для предварительных оценок воздействия.

⚠ОСТОРОЖНО: Используйте средства защиты слуха.

⚠ОСТОРОЖНО: Распространение шума во время фактического использования электроинструмента может отличаться от заявленного значения в зависимости от способа применения инструмента и в особенности от типа обрабатываемой детали.

⚠ОСТОРОЖНО: Обязательно определите меры безопасности для защиты оператора, основанные на оценке воздействия в реальных условиях использования (с учетом всех этапов рабочего цикла, таких как выключение инструмента, работа без нагрузки и включение).

Вибрация

Суммарное значение вибрации (сумма векторов по трем осям), определенное в соответствии с EN62841:
 Рабочий режим: работа без нагрузки
 Распространение вибрации (a_n): 2,5 м/с² или менее
 Погрешность (K): 1,5 м/с²

ПРИМЕЧАНИЕ: Заявленное общее значение распространения вибрации измерено в соответствии со стандартной методикой испытаний и может быть использовано для сравнения инструментов.

ПРИМЕЧАНИЕ: Заявленное общее значение распространения вибрации можно также использовать для предварительных оценок воздействия.

⚠ОСТОРОЖНО: Распространение вибрации во время фактического использования электроинструмента может отличаться от заявленного значения в зависимости от способа применения инструмента и в особенности от типа обрабатываемой детали.

⚠ОСТОРОЖНО: Обязательно определите меры безопасности для защиты оператора, основанные на оценке воздействия в реальных условиях использования (с учетом всех этапов рабочего цикла, таких как выключение инструмента, работа без нагрузки и включение).

Декларация о соответствии ЕС

Только для европейских стран

Декларация о соответствии ЕС включена в руководство по эксплуатации (Приложение А).

МЕРЫ БЕЗОПАСНОСТИ

Общие рекомендации по технике безопасности для электроинструментов

▲ОСТОРОЖНО: Ознакомьтесь со всеми представленными инструкциями по технике безопасности, указаниями, иллюстрациями и техническими характеристиками, прилагаемыми к данному электроинструменту. Несоблюдение каких-либо инструкций, указанных ниже, может привести к поражению электрическим током, пожару и/или серьезной травме.

Сохраните брошюру с инструкциями и рекомендациями для дальнейшего использования.

Термин "электроинструмент" в предупреждениях относится ко всему инструменту, работающему от сети (с проводом) или на аккумуляторах (без провода).

Меры безопасности при эксплуатации аккумуляторного пистолета для герметика

1. Руки и одежда должны находиться на расстоянии от области штока и поршня. Несоблюдение данного требования может привести к защемлению пальцев или одежды.
2. Крепко держите инструмент.
3. Работайте в хорошо проветриваемом месте и надевайте средства защиты, соответствующие типу работы.
4. Перед использованием прочитайте инструкции производителя по использованию герметика или клеекого материала и соблюдайте все предписания.

СОХРАНИТЕ ДАННЫЕ ИНСТРУКЦИИ.

▲ОСТОРОЖНО: НЕ ДОПУСКАЙТЕ, чтобы удобство или опыт эксплуатации данного устройства (полученный от многократного использования) доминировали над строгим соблюдением правил техники безопасности при обращении с этим устройством. НЕПРАВИЛЬНОЕ ИСПОЛЬЗОВАНИЕ инструмента или несоблюдение правил техники безопасности, указанных в данном руководстве, может привести к тяжелой травме.

Важные правила техники безопасности для работы с аккумуляторным блоком

1. Перед использованием аккумуляторного блока прочитайте все инструкции и предупреждающие надписи на (1) зарядном устройстве, (2) аккумуляторном блоке и (3) инструменте, работающем от аккумуляторного блока.
2. Не разбирайте аккумуляторный блок.
3. Если время работы аккумуляторного блока значительно сократилось, немедленно прекратите работу. В противном случае, может возникнуть перегрев блока, что приведет к ожогам и даже к взрыву.
4. В случае попадания электролита в глаза промойте их обильным количеством чистой воды и немедленно обратитесь к врачу. Это может привести к потере зрения.
5. Не замыкайте контакты аккумуляторного блока между собой:
 - (1) Не прикасайтесь к контактам какими-либо токопроводящими предметами.
 - (2) Не храните аккумуляторный блок в контейнере вместе с другими металлическими предметами, такими как гвозди, монеты и т. п.
 - (3) Не допускайте попадания на аккумуляторный блок воды или дождя.Замыкание контактов аккумуляторного блока между собой может привести к возникновению большого тока, перегреву, возможному ожогу и даже поломке блока.
6. Не храните инструмент и аккумуляторный блок в местах, где температура может достигать или превышать 50 °C (122 °F).
7. Не бросайте аккумуляторный блок в огонь, даже если он сильно поврежден или полностью вышел из строя. Аккумуляторный блок может взорваться под действием огня.
8. Не роняйте и не ударяйте аккумуляторный блок.
9. Не используйте поврежденный аккумуляторный блок.
10. Входящие в комплект литий-ионные аккумуляторы должны эксплуатироваться в соответствии с требованиями законодательства об опасных товарах.

При коммерческой транспортировке, например, третьей стороной или экспедитором, необходимо нанести на упаковку специальные предупреждения и маркировку.

В процессе подготовки устройства к отправке обязательно проконсультируйтесь со специалистом по опасным материалам. Также соблюдайте местные требования и нормы. Они могут быть строже.

Закройте или закрепите разомкнутые контакты и упакуйте аккумулятор так, чтобы он не перемещался по упаковке.

11. Для утилизации блока аккумулятора извлеките его из инструмента и утилизируйте безопасным способом. Выполняйте требования местного законодательства по утилизации аккумуляторного блока.
12. Используйте аккумуляторы только с продукцией, указанной Makita. Установка аккумуляторов на продукцию, не соответствующую требованиям, может привести к пожару, перегреву, взрыву или утечке электролита.
13. Если инструментом не будут пользоваться в течение длительного периода времени, извлеките аккумулятор из инструмента.

СОХРАНИТЕ ДАННЫЕ ИНСТРУКЦИИ.

⚠ВНИМАНИЕ: Используйте только фирменные аккумуляторные батареи Makita. Использование аккумуляторных батарей, не произведенных Makita, или батарей, которые были подвергнуты модификациям, может привести к взрыву аккумулятора, пожару, травмам и повреждению имущества. Это также автоматически аннулирует гарантию Makita на инструмент и зарядное устройство Makita.

Советы по обеспечению максимального срока службы аккумулятора

1. Заряжайте блок аккумуляторов перед его полной разрядкой. Обязательно прекратите работу с инструментом и зарядите блок аккумуляторов, если вы заметили снижение мощности инструмента.
2. Никогда не подзаряжайте полностью заряженный блок аккумуляторов. Перезарядка сокращает срок службы аккумулятора.
3. Заряжайте блок аккумуляторов при комнатной температуре в 10 - 40 °C (50 - 104 °F). Перед зарядкой горячего блока аккумуляторов дайте ему остыть.

ОПИСАНИЕ РАБОТЫ

⚠ВНИМАНИЕ: Перед регулировкой или проверкой функций инструмента обязательно убедитесь, что он выключен и его аккумуляторный блок снят.

Установка или снятие блока аккумуляторов

⚠ВНИМАНИЕ: Обязательно выключайте инструмент перед установкой и извлечением аккумуляторного блока.

⚠ВНИМАНИЕ: При установке и извлечении аккумуляторного блока крепко удерживайте инструмент и аккумуляторный блок. Если не соблюдать это требование, они могут выскользнуть из рук, что приведет к повреждению инструмента, аккумуляторного блока и травмированию оператора.

► **Рис. 1:** 1. Красный индикатор 2. Кнопка 3. Блок аккумулятора

Для снятия аккумуляторного блока нажмите кнопку на лицевой стороне и извлеките блок.

Для установки аккумуляторного блока совместите выступ аккумуляторного блока с пазом в корпусе и задвиньте его на место. Устанавливайте блок до упора так, чтобы он зафиксировался на месте с небольшим щелчком. Если вы можете видеть красный индикатор на верхней части клавиши, адаптер аккумулятора не полностью установлен на месте.

⚠ВНИМАНИЕ: Обязательно устанавливайте аккумуляторный блок до конца, чтобы красный индикатор не был виден. В противном случае аккумуляторный блок может выпасть из инструмента и нанести травму вам или другим людям.

⚠ВНИМАНИЕ: Не прилагайте чрезмерных усилий при установке аккумуляторного блока. Если блок не двигается свободно, значит он вставлен неправильно.

Система защиты аккумулятора

На инструменте предусмотрена система защиты аккумулятора. Она автоматически отключает питание двигателя для продления срока службы аккумулятора. Инструмент автоматически остановится во время работы при возникновении указанных ниже ситуаций.

Перегрузка:

Из-за способа эксплуатации инструмент потребляет очень большое количество тока.

В этом случае выключите инструмент и прекратите работу, повлекшую перегрузку инструмента. Затем включите инструмент для перезапуска.

Если инструмент не включается, значит перегрелся аккумуляторный блок. В этом случае дайте аккумулятору остыть перед повторным включением инструмента.

Низкое напряжение аккумуляторной батареи:



Уровень оставшейся емкости аккумулятора слишком низкий, и инструмент не работает. При включении инструмента электродвигатель запускается и вскоре останавливается. В этом случае снимите и зарядите аккумулятор.

Индикация оставшегося заряда аккумулятора

Только для блоков аккумулятора с индикатором

► Рис.2: 1. Индикаторы 2. Кнопка проверки

Нажмите кнопку проверки на аккумуляторном блоке для проверки заряда. Индикаторы загорятся на несколько секунд.

Индикаторы		Уровень заряда
Горит	Выкл.	
		от 75 до 100%
		от 50 до 75%
		от 25 до 50%
		от 0 до 25%

ПРИМЕЧАНИЕ: В зависимости от условий эксплуатации и температуры окружающего воздуха индикация может незначительно отличаться от фактического значения.

Действие выключателя

▲ ОСТОРОЖНО: Перед установкой аккумуляторного блока в инструмент обязательно убедитесь, что его триггерный переключатель нормально работает и возвращается в положение "OFF" (ВЫКЛ) при отпускании.

► Рис.3: 1. Триггерный переключатель 2. Кнопка блокировки триггерного переключателя

Для предотвращения случайного нажатия на триггерный переключатель он оборудован кнопкой блокировки.

Для включения инструмента нажмите на кнопку блокировки со стороны А и нажмите на триггерный переключатель. Для увеличения числа оборотов нажмите на триггерный переключатель сильнее. Отпустите триггерный переключатель для остановки. После использования нажмите на кнопку блокировки триггерного переключателя со стороны В.

Регулятор скорости

► Рис.4: 1. Регулятор скорости

Обороты инструмента можно регулировать поворотом регулятора скорости. Максимальной скорости соответствует положение 5, а минимальной — 1.

ПРИМЕЧАНИЕ: Во время работы инструмента не поворачивайте регулятор скорости слишком быстро.

ПРИМЕЧАНИЕ: В зависимости от типа и состояния герметика, возможно, его нельзя подавать при работе на малой скорости. В этом случае установите с помощью поворотного регулятора скорости более высокое значение.

ПРИМЕЧАНИЕ: Меняя настройку скорости инструмента со значения "5" на "1", поворачивайте регулятор скорости против часовой стрелки. Не прилагайте силу, чтобы повернуть регулятор скорости по часовой стрелке.

Включение передней лампы

▲ ВНИМАНИЕ: Не смотрите непосредственно на свет или источник света.

► Рис.5: 1. Подсветка

Чтобы включить подсветку, слегка потяните триггерный переключатель и отпустите его. Подсветка гаснет примерно через 10 секунд после отпускания триггерного переключателя.

ПРИМЕЧАНИЕ: При перегреве инструмента лампа начинает мигать. Прежде чем возобновить работу, убедитесь, что инструмент полностью остыл.

ПРИМЕЧАНИЕ: Для удаления пыли с линзы лампы используйте сухую ткань. Не допускайте возникновения царапин на линзе лампы, так как это приведет к снижению освещенности.

Предупредительная лампа перегрузки

► Рис.6: 1. Предупредительная лампа

Предупредительная лампа мигает при высокой нагрузке инструмента. При увеличении нагрузки и последующей перегрузке инструмента он автоматически останавливается и предупредительная лампа горит. В этом случае отпустите триггерный переключатель и устраните причину перегрузки, затем перезапустите инструмент.

ПРИМЕЧАНИЕ: Если предупредительная лампа горит, проверьте следующее:

- Герметик застрял.
- Поворотный регулятор скорости установлен на высокую скорость.
- Область среза наконечника насадки картриджа или упаковки пленочного типа слишком маленькая.

Функция предотвращения подтеков

Двигатель продолжает работать в течение некоторого времени даже после отпущения триггерного переключателя. Таким образом сбрасывается давление на герметик и предотвращается образование подтеков.

СБОРКА

▲ВНИМАНИЕ: Перед проведением каких-либо работ с инструментом обязательно убедитесь, что инструмент отключен, а блок аккумулятора снят.

Установка или снятие держателя объемом 300 мл

Установка или снятие соединения держателя

Зафиксируйте соединение и пластину держателя с помощью надежно затянутых винтов. Для снятия соединения держателя выполните процедуру установки в обратном порядке.

► **Рис.7:** 1. Винт 2. Пластина 3. Соединение держателя

Установка или снятие штока и поршня

1. Вставьте шток с задней стороны инструмента, направив зубья вниз.

► **Рис.8:** 1. Короткий шток

2. Зафиксируйте поршень А с помощью винта.

► **Рис.9:** 1. Винт 2. Поршень А 3. Короткий шток

ПРИМЕЧАНИЕ: Единственным подходящим типом емкости с герметиком для держателя объемом 300 мл является картридж. Убедитесь, что поршень А подсоединен к штоку.

Для снятия штока и поршня выполните процедуру установки в обратном порядке.

Установка или снятие держателя

▲ВНИМАНИЕ: Надежно зафиксируйте держатель на соединении держателя. В противном случае держатель может отсоединиться во время работы, что может привести к травме.

Для установки держателя поверните его строго по часовой стрелке, удерживая соединение держателя. Для снятия держателя выполните процедуру установки в обратном порядке.

► **Рис.10:** 1. Держатель

Установка или снятие держателя объемом 600 мл или 800 мл

Установка или снятие соединения держателя

Зафиксируйте соединение и пластину держателя с помощью надежно затянутых винтов. Для снятия соединения держателя выполните процедуру установки в обратном порядке.

Для держателя объемом 600 мл

► **Рис.11:** 1. Винт 2. Пластина 3. Соединение держателя

Для держателя объемом 800 мл

► **Рис.12:** 1. Винт 2. Соединение и пластина держателя

Выбор типа поршня

Выберите надлежащий тип поршня, соответствующий емкости с герметиком, согласно следующей таблице.

	Держатель объемом 600 мл	Держатель объемом 800 мл
Картридж 	Поршень А 	Поршень D 
Упаковка с пленкой 	Поршень В 	Поршень Е * 
Прямое заполнение 	Поршень С 	-

*. Дополнительная принадлежность

Установка или снятие штока и поршня

1. Вставьте шток с задней стороны инструмента, направив зубья вниз.

► **Рис.13:** 1. Длинный шток или черный шток

ПРИМЕЧАНИЕ: Для держателя объемом 600 мл используйте длинный шток. Для держателя объемом 800 мл используйте черный шток.

2. Зафиксируйте поршень с помощью винта.

► **Рис.14:** 1. Винт 2. Поршень 3. Длинный шток или черный шток

Для снятия штока и поршня выполните процедуру установки в обратном порядке.

Установка или снятие держателя объемом 600 мл или 800 мл

ВНИМАНИЕ: Надежно зафиксируйте держатель на соединении держателя. В противном случае держатель может отсоединиться во время работы, что может привести к травме.

Для установки держателя поверните его строго по часовой стрелке, удерживая соединение держателя.

► **Рис.15:** 1. Держатель

Для снятия держателя выполните процедуру установки в обратном порядке.

ЭКСПЛУАТАЦИЯ

Использование картриджа

Подготовка картриджа к использованию

1. Срежьте наконечник насадки картриджа для подачи подходящего количества герметика.

► **Рис.16:** 1. Насадка

2. Сделайте отверстие на поверхности защитной пленки с помощью наконечника насадки.

► **Рис.17:** 1. Насадка

3. Прикрепите насадку к картриджу.

ПРИМЕЧАНИЕ: Перед установкой проверьте картридж на наличие повреждений. Использование поврежденного картриджа может привести к неисправности.

ПРИМЕЧАНИЕ: При повторном использовании частично использованного картриджа перед установкой убедитесь, что твердый герметик удален.

Установка картриджа для держателя объемом 300 мл

ПРИМЕЧАНИЕ: Убедитесь, что поршень А подсоединен к штоку. Запрещается использовать другие типы поршней для работы с картриджами.

1. Медленно потяните рукоятку штока до упора назад.

► **Рис.18:** 1. Рукоятка штока

2. Вставьте картридж в держатель, как показано на рисунке.

► **Рис.19**

3. Осторожно надавливайте на шток до тех пор, пока он не коснется нижней части картриджа.

Для снятия картриджа выполните процедуру установки в обратном порядке.

Установка картриджа для держателя объемом 600 мл или 800 мл

ПРИМЕЧАНИЕ: Убедитесь, что поршень А (для держателя объемом 600 мл) или поршень D (для держателя объемом 800 мл) подсоединен к штоку. Запрещается использовать другие типы поршней для работы с картриджами.

1. Снимите крышку держателя с держателя, затем медленно потяните рукоятку штока до упора назад.

► **Рис.20:** 1. Крышка держателя 2. Рукоятка штока

2. Вставьте картридж в держатель.

► **Рис.21:** 1. Держатель

3. Присоедините крышку держателя, надежно повернув ее, придерживая при этом держатель.

► **Рис.22:** 1. Крышка держателя 2. Держатель

4. Осторожно надавливайте на шток до тех пор, пока он не коснется нижней части картриджа.

Для снятия картриджа выполните процедуру установки в обратном порядке.

Использование упаковки пленочного типа

Подготовка упаковки к использованию

Срежьте конец упаковки.

► **Рис.23**

ПРИМЕЧАНИЕ: Перед установкой проверьте упаковку на наличие повреждений. Использование поврежденной упаковки может привести к неисправности.

Установка упаковки пленочного типа для держателя объемом 600 мл или 800 мл

ПРИМЕЧАНИЕ: Убедитесь, что поршень В (для держателя объемом 600 мл) или поршень Е (для держателя объемом 800 мл) подсоединен к штоку. Запрещается использовать другие типы поршней для работы с упаковками пленочного типа.

1. Снимите крышку держателя, насадку и резиновое кольцо с держателя.

► **Рис.24:** 1. Крышка держателя 2. Насадка 3. Резиновое кольцо 4. Держатель

2. Медленно потяните рукоятку штока до упора назад.

3. Вставьте упаковку в держатель.

► **Рис.25:** 1. Держатель

4. Зафиксируйте резиновое кольцо, насадку и крышку держателя, надежно повернув крышку держателя.

► **Рис.26:** 1. Крышка держателя 2. Насадка 3. Резиновое кольцо 4. Держатель

5. Осторожно надавливайте на шток до тех пор, пока поршень не коснется упаковки.

Для извлечения упаковки снимите крышку держателя, насадку, резиновое кольцо, а затем нажмите на рукоятку штока, переместив ее вперед до упора.

Прямое заполнение

ПРИМЕЧАНИЕ: Убедитесь, что держатель объемом 600 мл подсоединен к соединению держателя и поршень С подсоединен к штоку. Запрещается использовать другие типы держателей для выполнения прямого заполнения.

1. Снимите крышку держателя, насадку и резиновое кольцо с держателя.

► **Рис.27:** 1. Крышка держателя 2. Насадка 3. Резиновое кольцо 4. Держатель

2. Надавите на рукоятку штока до упора.

3. Вставьте конец держателя в герметик, затем медленно потяните рукоятку штока, чтобы заполнить держатель герметиком.

► **Рис.28:** 1. Держатель

4. Зафиксируйте резиновое кольцо, насадку и крышку держателя, надежно повернув крышку держателя.

► **Рис.29:** 1. Крышка держателя 2. Насадка 3. Резиновое кольцо 4. Держатель

Нанесение герметика

Потяните триггерный переключатель для подачи герметика. Положите одну руку под держатель, тем самым придерживая инструмент во время его использования.

По окончании использования удалите герметик с инструмента. Удалите герметик до того, как он затвердеет.

ПРИМЕЧАНИЕ: В начале работы установите поворотный регулятор скорости на «1» и медленно потяните триггерный переключатель, чтобы проверить, какое количество герметика подается.

ПРИМЕЧАНИЕ: В зависимости от типа и состояния герметика, возможно, его нельзя подавать при работе на малой скорости. В этом случае установите с помощью поворотного регулятора скорости более высокое значение.

ПРИМЕЧАНИЕ: Если герметик не подается, проверьте следующее:

- Наконечник насадки картриджа срезан неправильно.
- Герметик твердый и застрял в насадке.
- Картридж или упаковка повреждены.
- Герметик затвердел. Нагрейте материал, чтобы размягчить его.
- Установленный поршень не соответствует типу герметика.

ОБСЛУЖИВАНИЕ

▲ВНИМАНИЕ: Перед проведением проверки или работ по техобслуживанию всегда проверяйте, что инструмент выключен, а блок аккумулятора снят.

ПРИМЕЧАНИЕ: Запрещается использовать бензин, растворители, спирт и другие подобные жидкости. Это может привести к обезцвечиванию, деформации и трещинам.

Для обеспечения БЕЗОПАСНОСТИ и НАДЕЖНОСТИ оборудования ремонт, любое другое техобслуживание или регулировку необходимо производить в уполномоченных сервис-центрах Makita или сервис-центрах предприятия с использованием только сменных частей производства Makita.

ДОПОЛНИТЕЛЬНЫЕ ПРИНАДЛЕЖНОСТИ

▲ВНИМАНИЕ: Данные принадлежности или приспособления рекомендуются для использования с инструментом Makita, указанным в настоящем руководстве. Использование других принадлежностей или приспособлений может привести к получению травмы. Используйте принадлежность или приспособление только по указанному назначению.

Если вам необходимо содействие в получении дополнительной информации по этим принадлежностям, свяжитесь с вашим сервис-центром Makita.

- Поршень А
- Поршень В
- Поршень С
- Поршень D
- Поршень E
- Комплект держателя объемом 300 мл
- Комплект держателя объемом 600 мл
- Комплект держателя объемом 800 мл
- Насадка (для держателя объемом 600 мл)
- Насадка (для держателя объемом 800 мл)
- Защитные очки
- Оригинальный аккумулятор и зарядное устройство Makita

ПРИМЕЧАНИЕ: Некоторые элементы списка могут входить в комплект инструмента в качестве стандартных приспособлений. Они могут отличаться в зависимости от страны.

Makita Europe N.V. Jan-Baptist Vinkstraat 2,
3070 Kortenberg, Belgium

Makita Corporation 3-11-8, Sumiyoshi-cho,
Anjo, Aichi 446-8502 Japan

www.makita.com

885602A986
EN, SV, NO, FI, LV,
LT, ET, RU
20190412