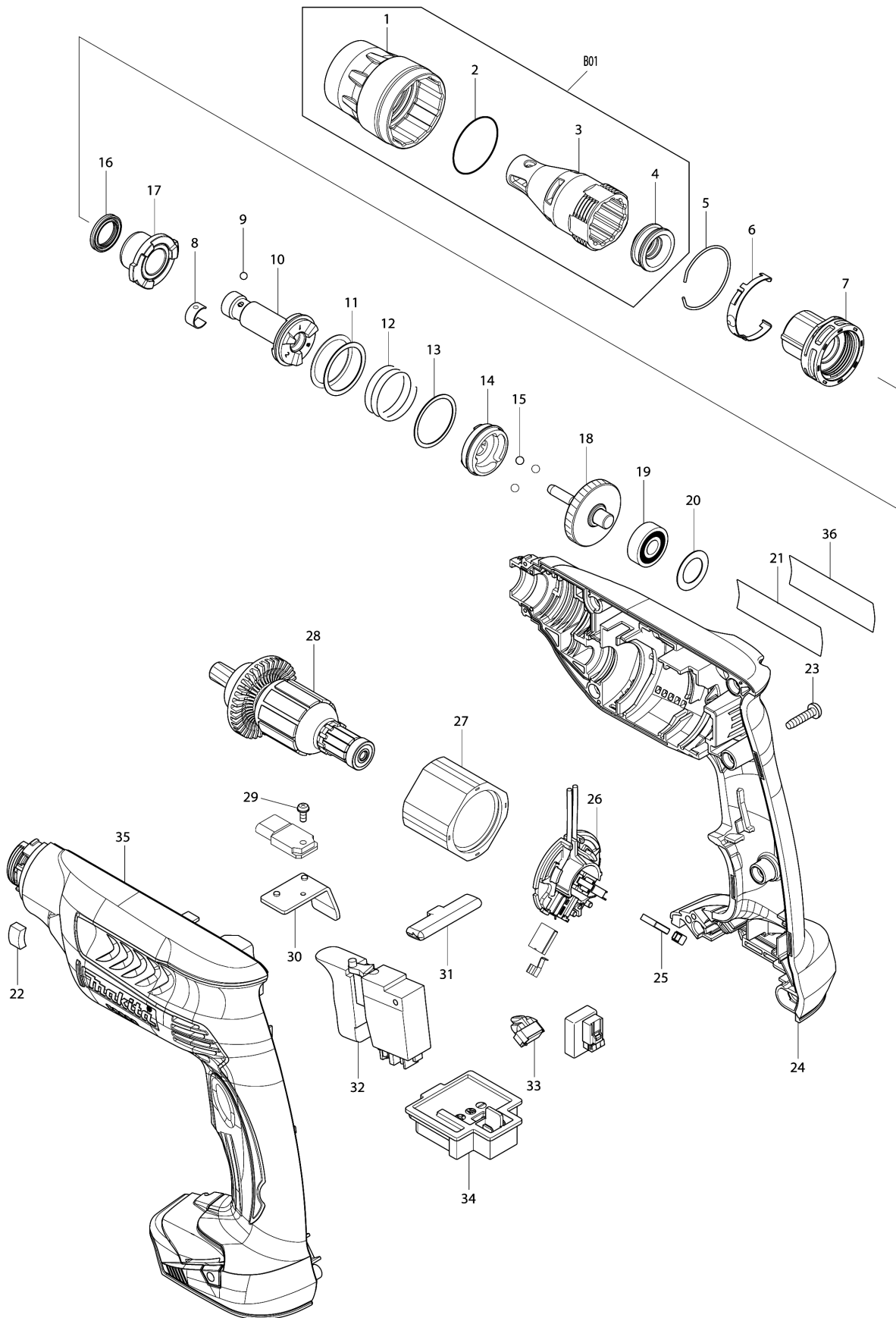


Model No.DFS451 CORDLESS SCREWDRIVER





Model No.DFS451 CORDLESS SCREWDRIVER

Item	Parts No.	Description	I/C	Qty	New/Old	Opt. 1	Opt. 2	Note
001	450881-6	LOCK RING		1	*			
001-1	455591-0	LOCK RING	O	1				
002	424235-3	SEAL RING 30		1				
003	158875-2	LOCATOR S COMPLETE		1				
004	424163-2	DUST SEAL SLEEVE		1				
005	234266-2	RING SPRING 33		1				
006	232245-4	LEAF SPRING		1				
007	141100-8	LOCATOR BASE COMPLETE		1				
008	232050-9	LEAF SPRING		1				
009	216001-0	STEEL BALL 3.5		1				
010	140771-8	SPINDLE 125S COMPLETE		1				
011	267331-2	FLAT WASHER 25		2				
012	234017-3	COMPRESSION SPRING 25		1				
013	267332-0	FLAT WASHER 26		1				
014	223170-0	CLUTCH CAM 125S		1				
015	216008-6	STEEL BALL 4		3				
016	213184-7	X-RING 14		1				
017	142306-1	BEARING COMPLETE		1				
018	140772-6	GEAR COMPLETE		1				
019	211032-4	BALL BEARING 608ZZ		1				
020	253192-6	FLAT WASHER 14		1				
021	815G48-9	DFS451 NAME PLATE		1				
022	423413-2	RUBBER PLATE		1				
023	265995-6	TAPPING SCREW 4X18		7				
024	187092-7	HOUSING SET		1				
C10	263005-3	RUBBER PIN 6		2				
D10		INC. 35						
025	194427-5	CARBON BRUSH SET CB-440		1				
026	638868-0	BRUSH HOLDER COMPLETE		1				
C10	688163-8	LINE FILTER		1				
027	638426-2	YOKE UNIT		1				
028E	619277-2	ARMATURE		1	*			
028F	619277-2	ARMATURE		1	*			
028G	619277-2	ARMATURE		1	*			
028H	619277-2	ARMATURE		1	*			
028-1E	619351-6	ARMATURE	S	1				
028-1F	619351-6	ARMATURE	S	1				
028-1G	619351-6	ARMATURE	S	1				
028-1H	619351-6	ARMATURE	S	1				
028-1I	619351-6	ARMATURE		1				
029	911006-2	PAN HEAD SCREW M3X8		1				
030	689150-0	HEAT SINK		1				

Please order the parts with part number.

Print Date 26/3/2020

Model No.DFS451 CORDLESS SCREWDRIVER

Item	Parts No.	Description	I/C	Qty	New/Old	Opt. 1	Opt. 2	Note
031	452516-5	F/R CHANGE LEVER		1				
032	638869-8	SWITCH UNIT		1				
C10	688164-6	LINE FILTER		1				
033	620030-1	LIGHT CIRCUIT		1				
034	643852-2	TERMINAL		1				
035	187092-7	HOUSING SET		1				
C10	263005-3	RUBBER PIN 6		2				
D10		INC. 24						
036	892812-3	CLEAR LABEL		1				
037E	267104-3	FLAT WASHER 12		1				
037F	267104-3	FLAT WASHER 12		1				
037G	267104-3	FLAT WASHER 12		1				
037H	267104-3	FLAT WASHER 12		1				
037I	267104-3	FLAT WASHER 12		1				
A01	266622-8	+ TRUSS HEAD SCREW M4X12		1				
A02	346317-0	HOOK		1				
A03	784261-7	+BIT 2-25		2				
A04	784811-8	MAGNETIC CONNECT BIT 6.35-60		1				
A05F	450128-8	BATTERY COVER		1				
A05G	450128-8	BATTERY COVER		1				
A05H	821550-0	CONNECTOR PLASTIC CASE (TYPE2)		1				
C10	453974-8	LATCH		4				
A05I	450128-8	BATTERY COVER		1				
A06F	***DC18RC	DC18RC FAST CHARGER		1				
A06G	***DC18RC	DC18RC FAST CHARGER		1				
A06H	837805-3	INNER TRAY		1				
A06I	***DC18RC	DC18RC FAST CHARGER		1				
A07F	194204-5	BATTERY BL1830 SET		2	*			
A07G	194204-5	BATTERY BL1830 SET		2	*			
A07H	802X30-9	DFS451ZJ INDICATION LABEL		1				
A07I	196399-0	BATTERY BL1840 SET		2	*			
A07-1F	194204-5	BATTERY BL1830 SET	O	2	*			
A07-1G	194204-5	BATTERY BL1830 SET	O	2	*			
A07-1I	196399-0	BATTERY BL1840 SET	O	2	*			
A07-2F	197600-6	BATTERY BL1830B SET	<	2	*			
A07-2G	197600-6	BATTERY BL1830B SET	<	2	*			
A07-2I	197265-4	BATTERY BL1840B SET	<	2	*			
A07-3F	197600-6	BATTERY BL1830B SET	O	2				
A07-3G	197600-6	BATTERY BL1830B SET	O	2				
A07-3I	197265-4	BATTERY BL1840B SET	O	2				
A08F	141490-9	PLASTIC CARRYING CASE COMPLETE		1				

Please order the parts with part number.

Print Date 26/3/2020

Model No.DFS451 CORDLESS SCREWDRIVER

Item	Parts No.	Description	I/C	Qty	New/Old	Opt. 1	Opt. 2	Note
C10	162315-4	LATCH		2				
C20	452137-3	HANDLE		1				
A08G	821550-0	CONNECTOR PLASTIC CASE (TYPE2)		1				
C10	453974-8	LATCH		4				
A08H	802X31-7	DFS451ZJ PLASTIC CASE LABEL		2				
A08I	821550-0	CONNECTOR PLASTIC CASE (TYPE2)		1				
C10	453974-8	LATCH		4				
A09G	837805-3	INNER TRAY		1				
A09I	837805-3	INNER TRAY		1				
A10G	802X28-6	DFS451RFJ INDICATION LABEL		1				
A10I	804G39-5	DFS451RMJ INDICATION LABEL		1				
A11G	802X29-4	DFS451RFJ PLASTIC CASE LABEL		2				
A11I	804G40-0	DFS451RMJ PLASTIC CASE LABEL		2				
B01	197025-4	LOCATOR S SET		1				
D10		INC. 1-4						

Please order the parts with part number.

Print Date 26/3/2020