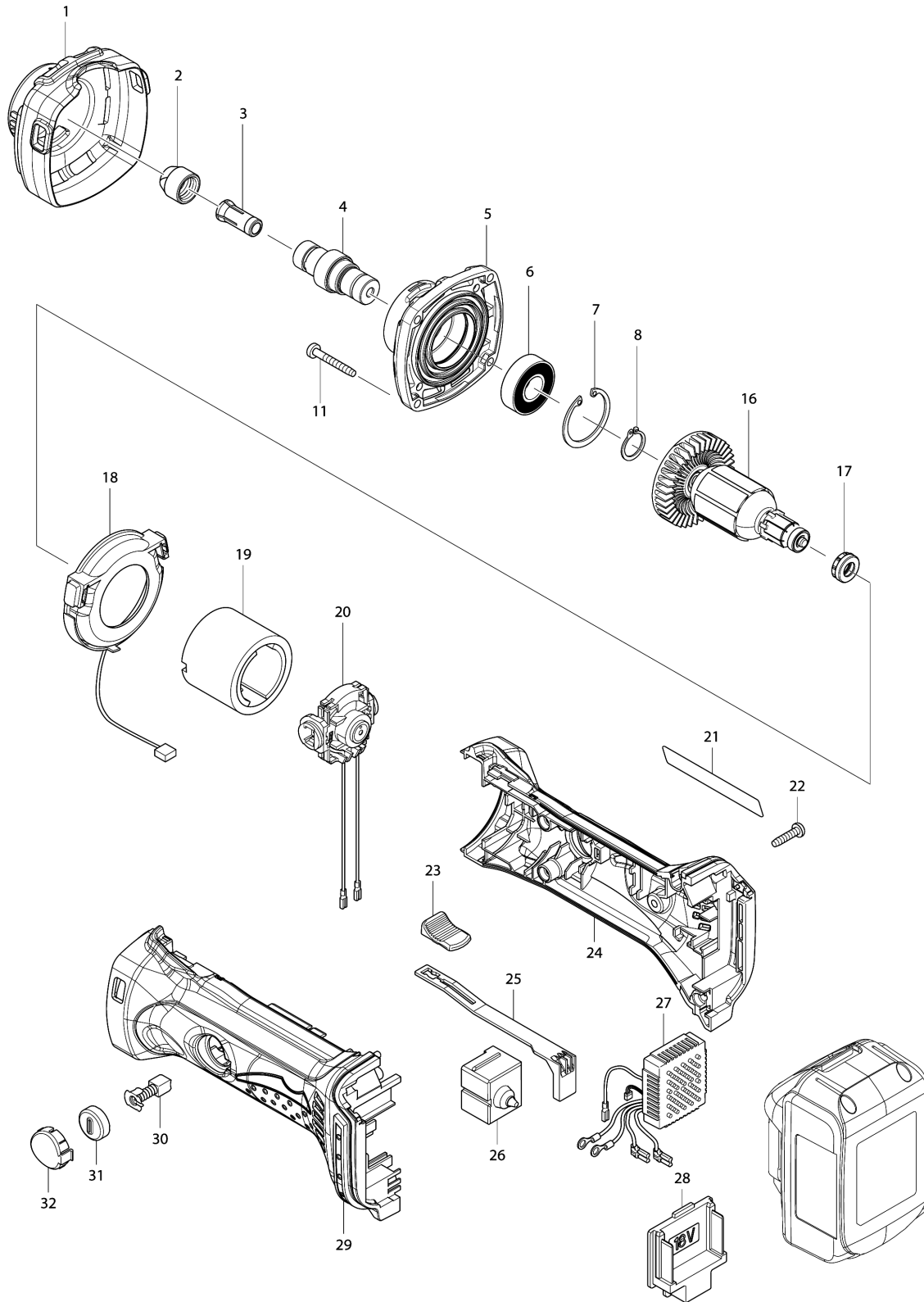


Model No.DGD801 CORDLESS DIE GRINDER



Model No.DGD801 CORDLESS DIE GRINDER

Item	Parts No.	Description	I/C	Qty	New/Old	Opt. 1	Opt. 2	Note
001	424381-2	INSULATION COVER		1				
002	763668-0	COLLET NUT		1				
003	763670-3	COLLET CONE 6		1				
004	326011-0	SPINDLE		1				
005	140091-0	BEARING BOX COMPLETE		1				
C10	262118-7	FELT RING 18		1				
006	211237-6	BALL BEARING 6002LLB		1				
007	962151-6	RETAINING RING R-32		1				
008	961055-9	RETAINING RING S-15		1				
011	266324-6	TAPPING SCREW 4X22		4				
016	619285-3	ARMATURE		1				
D10		INC. 17						
017	421977-0	RUBBER RING 13		1				
018	631714-6	LED CIRCUIT		1				
019	638627-2	YOKE UNIT		1				
020	638921-2	ENDBELL COMPLETE		1				
021	815P39-4	DGD801 NAME PLATE		1				
022	265995-6	TAPPING SCREW 4X18		5				
023	419566-3	SWITCH KNOB		1				
024	187843-8	HOUSING SET		1				
C10	263005-3	RUBBER PIN 6		2				
D10		INC. 29						
025	419519-2	SWITCH LEVER		1				
026	650579-7	SWITCH 1246.3223		1				
027	620243-4	CONTROLLER		1				
028	644808-8	TERMINAL		1				
029	187843-8	HOUSING SET		1				
C10	263005-3	RUBBER PIN 6		2				
D10		INC. 24						
030	191971-3	CARBON BRUSH CB-430		1				
031	643929-3	BRUSH HOLDER CAP		2				
032	419518-4	HOLDER CAP COVER		2				
A01	781039-9	WRENCH 13		2				
A02C	450128-8	BATTERY COVER		1				
A03C	***DC18RC	DC18RC FAST CHARGER		1				
A04C	194204-5	BATTERY BL1830 SET		2	*			
A04-1C	194204-5	BATTERY BL1830 SET	O	2	*			
A04-2C	197600-6	BATTERY BL1830B SET	<	2	*			
A04-3C	197600-6	BATTERY BL1830B SET	O	2				
A05C	141482-8	PLASTIC CASE COMPLETE		1				
C10	162315-4	LATCH		2				
A06C	803U27-3	DGD801RFE PLASTIC CASE LABEL		2				

Please order the parts with part number.

Print Date 26/3/2020

