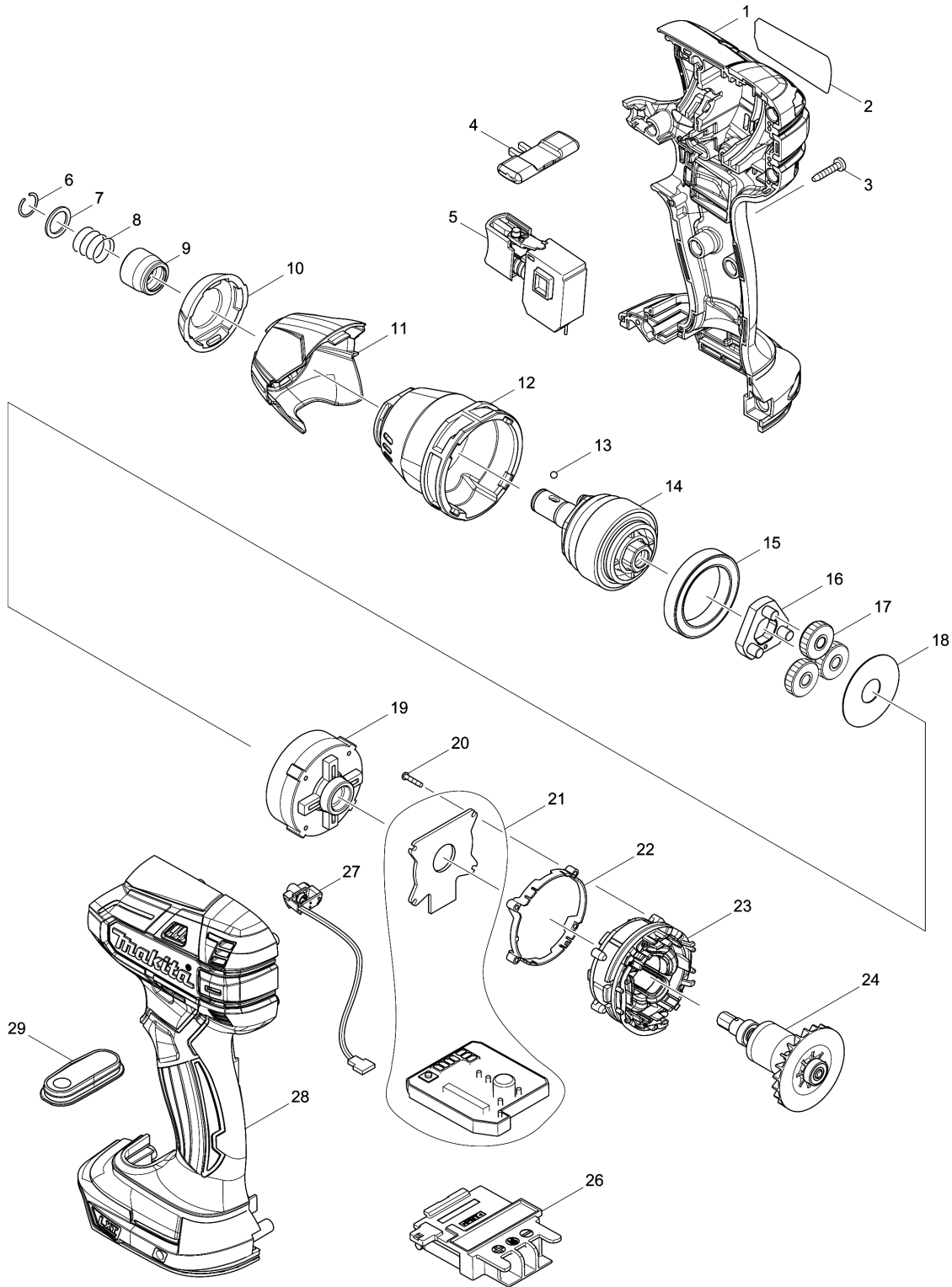


Model No.DTS141 CORDLESS OIL-PULSE DRIVER



Model No.DTS141 CORDLESS OIL-PULSE DRIVER

Item	Parts No.	Description	I/C	Qty	New/Old	Opt. 1	Opt. 2	Note
001	187989-0	HOUSING SET		1				
C10	263005-3	RUBBER PIN 6		2				
C20	252126-6	HEX. LOCK NUT M4-7		2				
D10		INC. 28						
002	850H88-6	DTS141 NAME PLATE		1				
003	266130-9	TAPPING SCREW BIND PT 3X16		9				
004	455053-8	F/R CHANGE LEVER		1				
005	650673-5	SWITCH C3JW-1A		1				
006	231965-7	RING SPRING 10		1				
007	267143-3	FLAT WASHER 11		1				
008	234347-2	COMPRESSION SPRING 11		1				
009	326465-1	BIT SLEEVE		1	*			
009-1	326542-9	BIT SLEEVE	<	1				
010	424662-4	BUMPER		1				
011	455468-9	UNIT CASE COVER		1				
012	142928-7	UNIT CASE COMPLETE		1				
C10	213126-1	OIL SEAL 12		1				
C20	211136-2	BALL BEARING 6801LLB		1				
013	216019-1	STEEL BALL 3		2				
014	142936-8	OIL UNIT COMPLETE		1	*			
014-1	142936-8	OIL UNIT COMPLETE	<	1	*			
C10	143265-2	BIT PIECE C COMPLETE		1	*			
014-2	143275-9	OIL UNIT COMPLETE	<	1				
C10	143265-2	BIT PIECE C COMPLETE		1				
015	211294-4	BALL BEARING 6806LLU		1				
016	142929-5	CARRIER COMPLETE		1				
017	227368-1	SPUR GEAR 22		3				
018	267067-3	FLAT WASHER 12		1				
019	227361-5	INTERNAL GEAR 51		1				
020	266786-8	+ PAN HEAD TAPPING SCREW 2X10		4				
021	620354-5	CONTROLLER		1	*			
021-1	620895-1	CONTROLLER	<	1				
022	687464-1	SUPPORT		1				
023	629137-0	STATOR		1				
024	619358-2	ROTOR		1				
026	643860-3	TERMINAL		1				
027	620355-3	LED CIRCUIT		1				
028	187989-0	HOUSING SET		1				
C10	263005-3	RUBBER PIN 6		2				
C20	252126-6	HEX. LOCK NUT M4-7		2				
D10		INC. 1						

Model No.DTS141 CORDLESS OIL-PULSE DRIVER

Item	Parts No.	Description	I/C	Qty	New/Old	Opt. 1	Opt. 2	Note
029	141583-2	SWITCH PLATE COMPLETE		1	*			
029-1	141583-2	SWITCH PLATE COMPLETE	<	1				
A01	266622-8	+ TRUSS HEAD SCREW M4X12		1				
A02	346317-0	HOOK		1				

Please order the parts with part number.

Print Date 27/3/2020