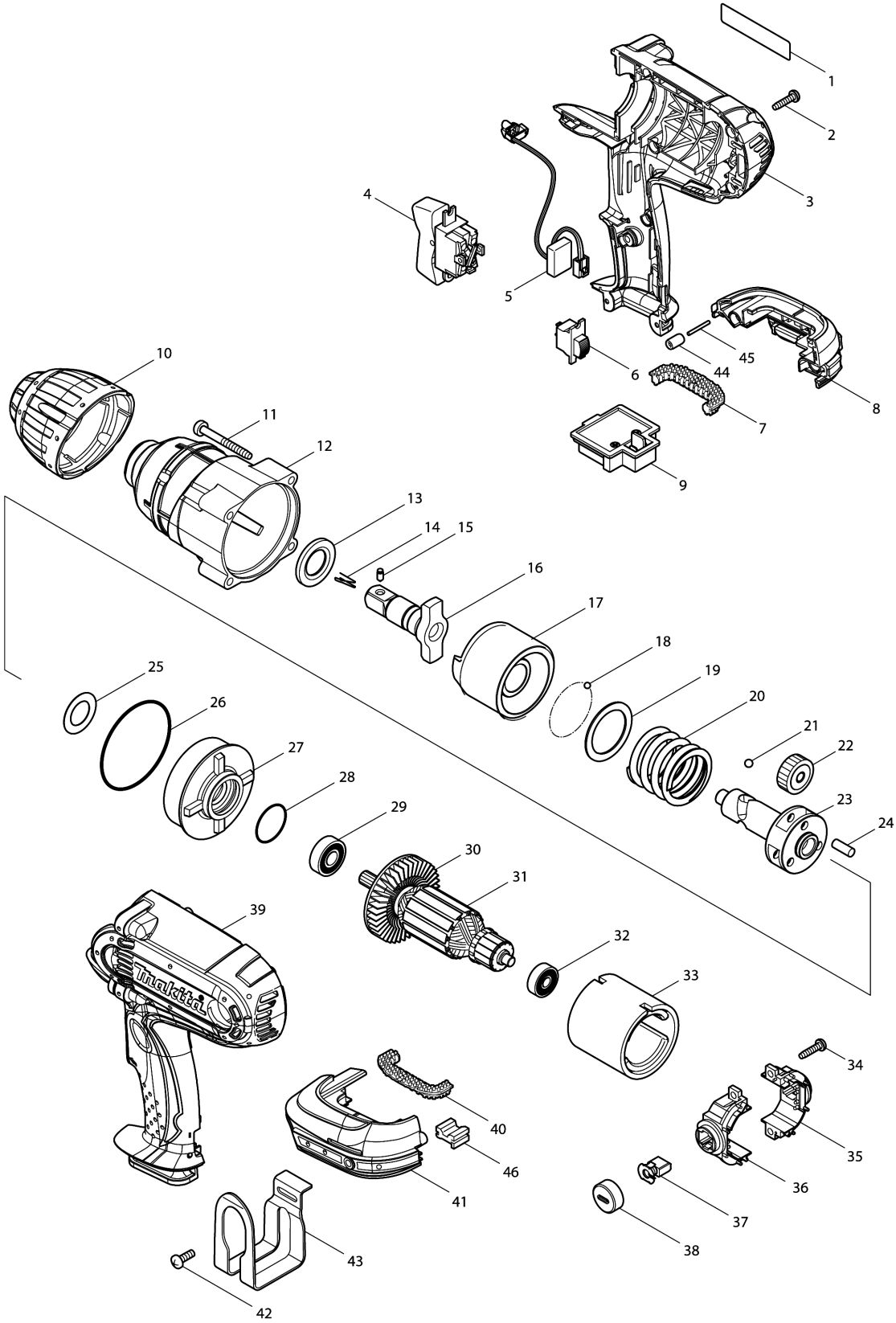


Model No.DTW450 CORDLESS IMPACT WRENCH



Model No.DTW450 CORDLESS IMPACT WRENCH

Item	Parts No.	Description	I/C	Qty	New/Old	Opt. 1	Opt. 2	Note
001	850H18-7	DTW450 NAME PLATE		1	*			
001-1	857K22-5	DTW450 NAME PLATE	S	1				
002	265995-6	TAPPING SCREW 4X18		9				
003	188434-8	HOUSING SET		1				
C10	263025-7	RUBBER PIN 4		4				
D10		INC. 39						
004	651572-4	SWITCH SL220SD-19		1				
005	631738-2	LIGHT CIRCUIT		1				
006	638503-0	SWITCH UNIT		1				
007	424042-4	CUSHION RUBBER		1				
008	187873-9	BATTERY HOUSING SET		1				
C10	263005-3	RUBBER PIN 6		2				
D10		INC. 41						
009	643843-3	TERMINAL		1				
010	421971-2	BUMPER		1				
011	266056-5	TAPPING SCREW 5X45		4				
012	158076-2	HAMMER CASE COMPLETE		1				
013	267268-3	FLAT WASHER 19		1				
014	231907-1	RING SPRING 10		1				
016	324406-1	ANVIL		1	*			
016-1	326983-9	ANVIL	<	1				
017	324697-4	HAMMER		1				
018	216008-6	STEEL BALL 4		29				
019	267340-1	FLAT WASHER 32		2				
020	234338-3	COMPRESSION SPRING 33		1				
021	216007-8	STEEL BALL 6.4		2				
022	227171-0	SPUR GEAR 23		3				
023	310185-7	SPINDLE		1				
024	256033-5	PIN 6		3				
025	253794-8	FLAT WASHER 18		1				
026	213722-5	O RING 63		1				
027	227172-8	INTERNAL GEAR 53		1				
028	213407-3	O RING 26		1				
029	210059-1	BALL BEARING 6000DDW		1				
030	241850-6	FAN 60		1				
031	519199-5	ARMATURE ASS'Y 18V		1				
D10		INC. 29,30,32						
032	210025-8	BALL BEARING 627LLB		1				
033	638107-8	YOKE UNIT		1				
034	265995-6	TAPPING SCREW 4X18		2				
035	638870-3	BRUSH HOLDER COMPLETE		1				
C10	688161-2	LINE FILTER		1				

Model No.DTW450 CORDLESS IMPACT WRENCH

Item	Parts No.	Description	I/C	Qty	New/Old	Opt. 1	Opt. 2	Note
C20	654037-5	INSULATED TERM. FT1.25-M3		2				
037	194435-6	CARBON BRUSH CB-441		1				
038	643941-3	BRUSH HOLDER CAP		2				
039	188434-8	HOUSING SET		1				
C10	263025-7	RUBBER PIN 4		4				
D10		INC. 3						
040	424042-4	CUSHION RUBBER		1				
041	187873-9	BATTERY HOUSING SET		1				
C10	263005-3	RUBBER PIN 6		2				
D10		INC. 8						
042	251314-2	+ SCREW M4X12		1				
043	345736-7	HOOK		1				
044	263036-2	RUBBER PIN 5		1				
045	268184-2	PIN 1.5		1				
046	424026-2	CUSHION		1				
047	857K23-3	DTW450 SERIAL NO. LABEL		1				
A01E	***DC18RC	DC18RC FAST CHARGER		1				
A01G	***DC18RC	DC18RC FAST CHARGER		1				
A01I	***DC18RC	DC18RC FAST CHARGER		1				
A01J	***DC18RC	DC18RC FAST CHARGER		1				
A02E	194204-5	BATTERY BL1830 SET		2	*			
A02G	194204-5	BATTERY BL1830 SET		2	*			
A02I	196399-0	BATTERY BL1840 SET		2	*			
A02-1E	194204-5	BATTERY BL1830 SET	O	2	*			
A02-1G	194204-5	BATTERY BL1830 SET	O	2	*			
A02-1I	196399-0	BATTERY BL1840 SET	O	2	*			
A02-2E	197600-6	BATTERY BL1830B SET	<	2	*			
A02-2G	197600-6	BATTERY BL1830B SET	<	2	*			
A02-2I	197265-4	BATTERY BL1840B SET	<	2	*			
A02-2J	197280-8	BATTERY BL1850B SET		2	*			
A02-3E	197600-6	BATTERY BL1830B SET	O	2				
A02-3G	197600-6	BATTERY BL1830B SET	O	2				
A02-3I	197265-4	BATTERY BL1840B SET	O	2				
A02-3J	197280-8	BATTERY BL1850B SET	O	2				
A03E	450128-8	BATTERY COVER		1				
A03G	450128-8	BATTERY COVER		1				
A03I	450128-8	BATTERY COVER		1				
A03J	450128-8	BATTERY COVER		1				
A04E	141644-8	PLASTIC CASE COMPLETE		1				
C10	163467-4	LATCH		2				
A04G	821551-8	CONNECTOR PLASTIC CASE (TYPE3)		1				
C10	453974-8	LATCH		4				

Please order the parts with part number.

Print Date 27/3/2020

Model No.DTW450 CORDLESS IMPACT WRENCH

Item	Parts No.	Description	I/C	Qty	New/Old	Opt. 1	Opt. 2	Note
A04H	821551-8	CONNECTOR PLASTIC CASE (TYPE3)		1				
C10	453974-8	LATCH		4				
A04I	821551-8	CONNECTOR PLASTIC CASE (TYPE3)		1				
C10	453974-8	LATCH		4				
A04J	821551-8	CONNECTOR PLASTIC CASE (TYPE3)		1				
C10	453974-8	LATCH		4				
A05E	804G21-4	DTW450RFE MODEL NO. LABEL		1				
A05G	837645-9	INNER TRAY		1				
A05H	837645-9	INNER TRAY		1				
A05I	837645-9	INNER TRAY		1				
A05J	837645-9	INNER TRAY		1				
A06G	804G12-5	DTW450RFJ INDICATION LABEL		1				
A06H	804G14-1	DTW450ZJ INDICATION LABEL		1				
A06I	804R89-6	DTW450RMJ INDICATION LABEL		1				
A06J	809B05-7	DTW450RTJ INDICATION LABEL		1				
A07G	804G13-3	DTW450RFJ PLASTIC CASE LABEL		2				
A07H	804G15-9	DTW450ZJ PLASTIC CASE LABEL		2				
A07I	804R90-1	DTW450RMJ PLASTIC CASE LABEL		2				
A07J	809B06-5	DTW450RTJ PLASTIC CASE LABEL		2				

Please order the parts with part number.

Print Date 27/3/2020