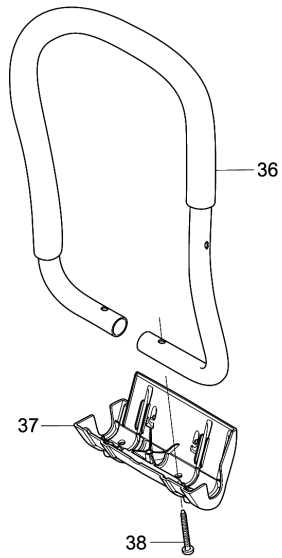
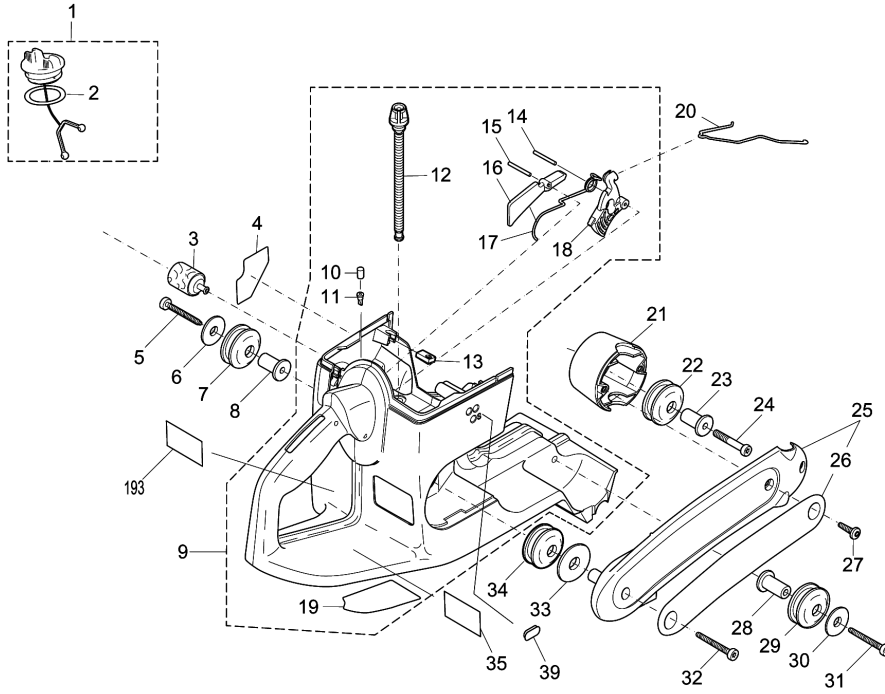
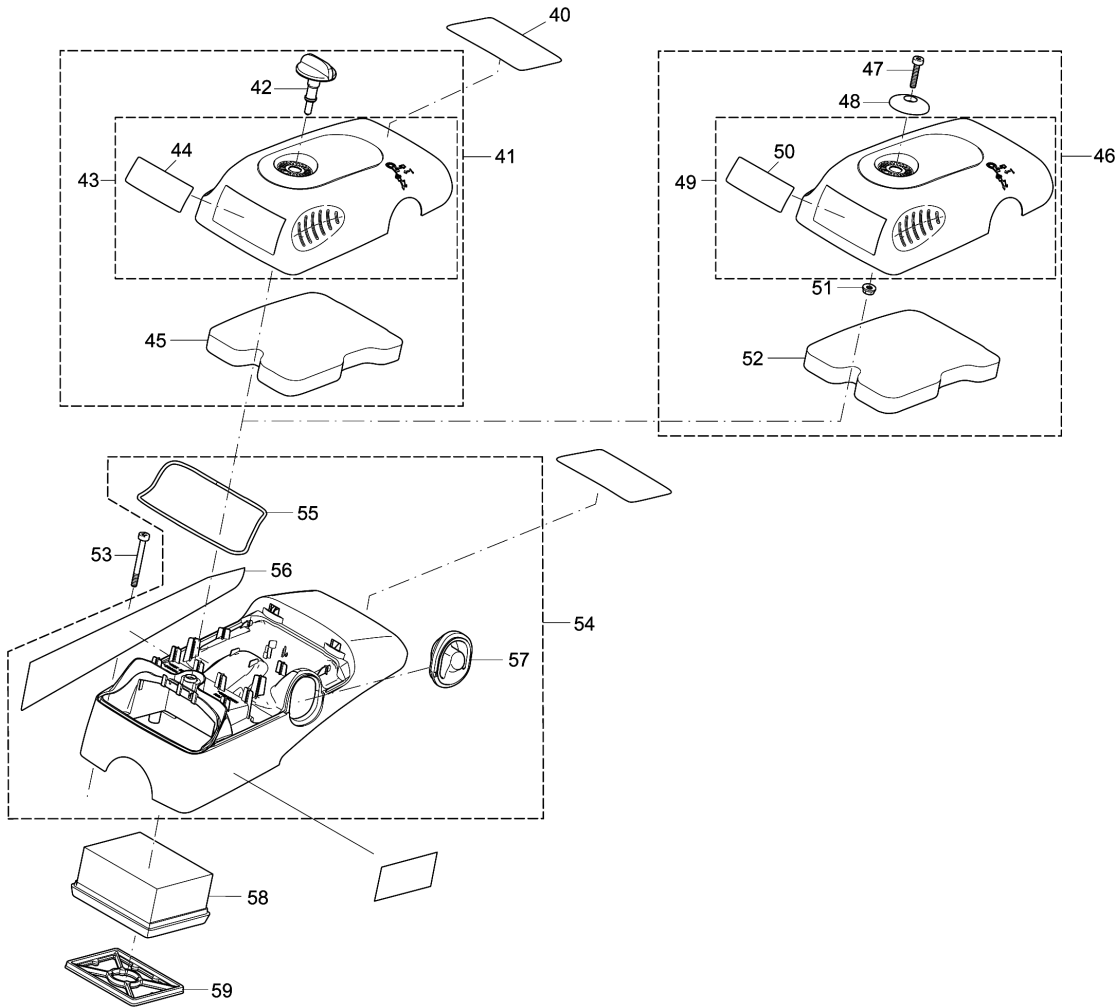


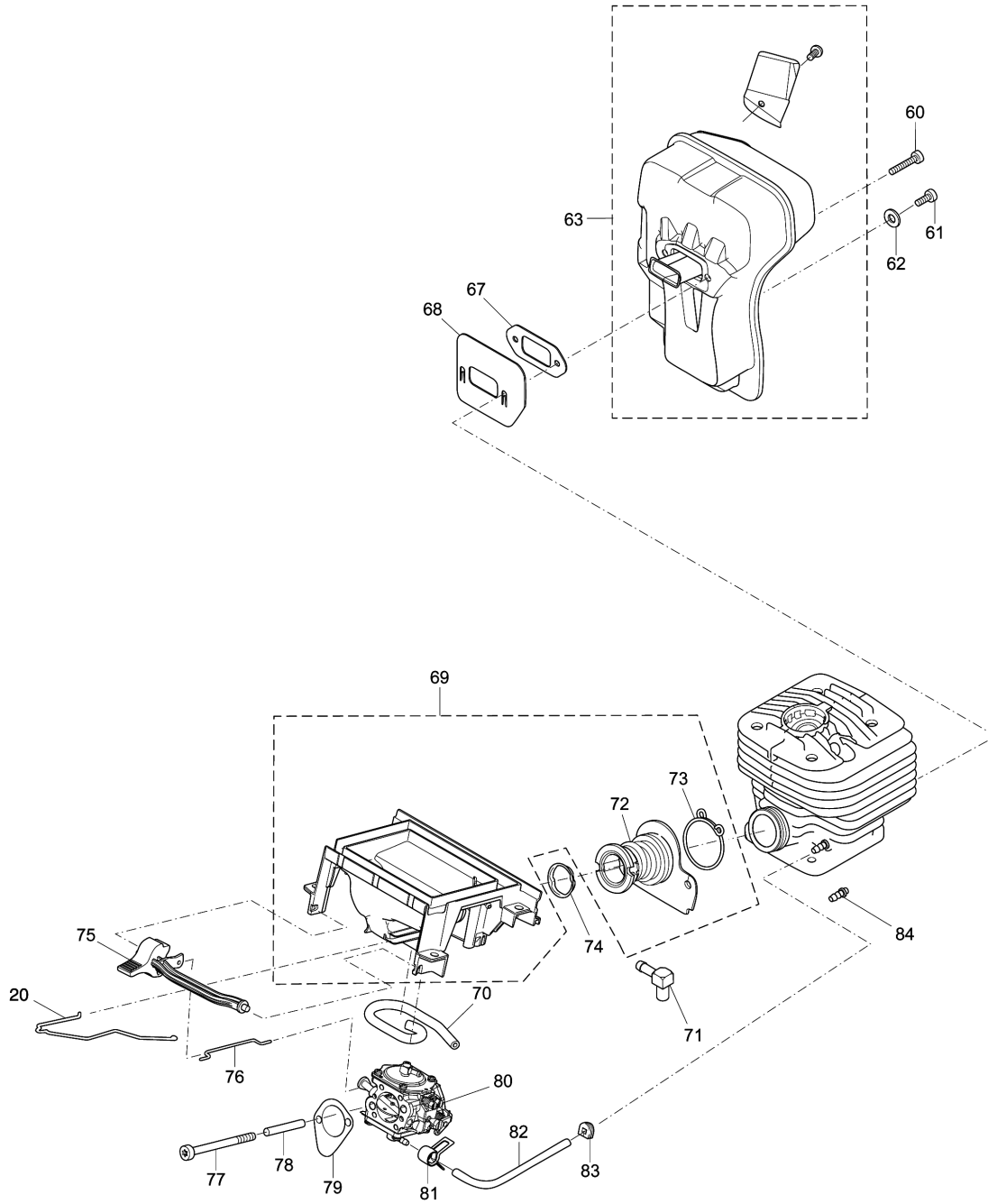
Model No.EK7301 POWER CUTTER



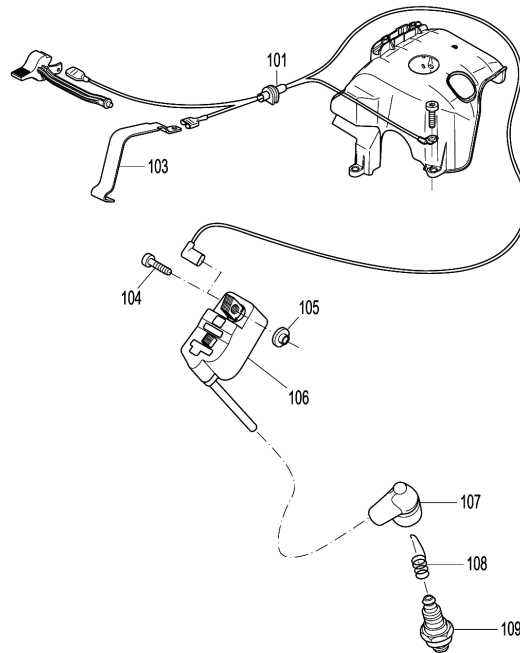
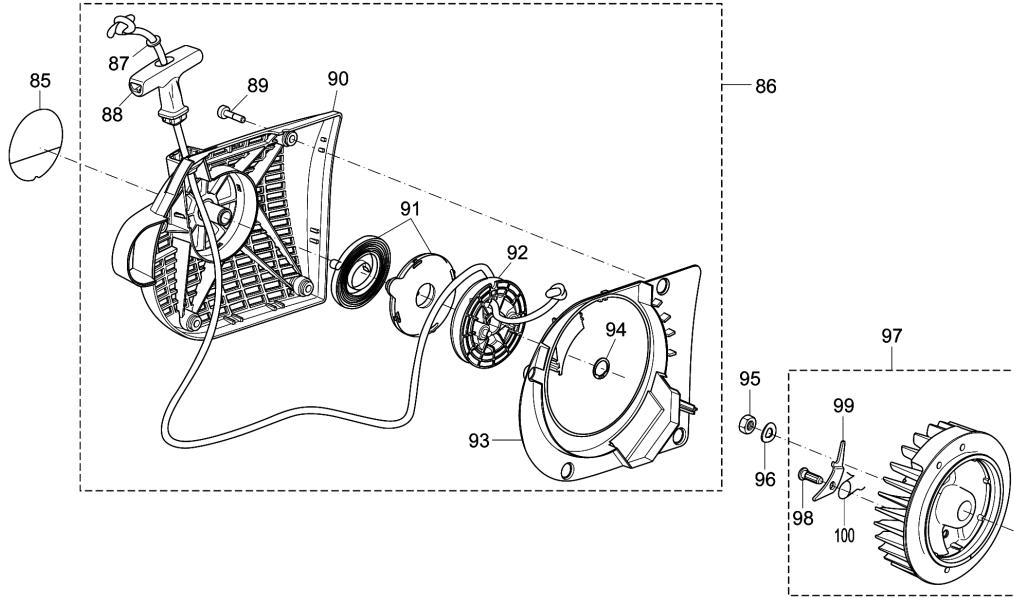
Model No.EK7301 POWER CUTTER



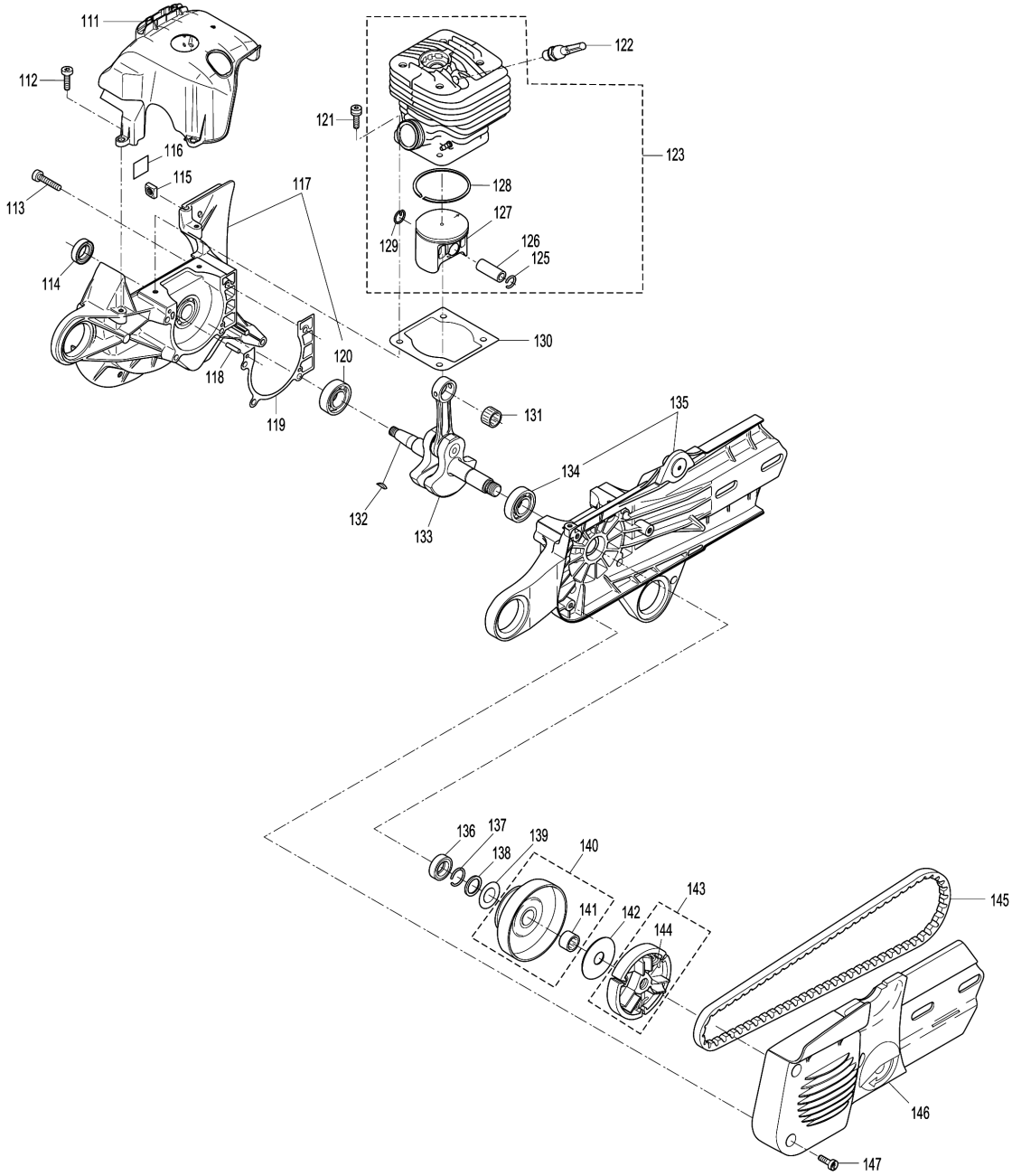
Model No.EK7301 POWER CUTTER



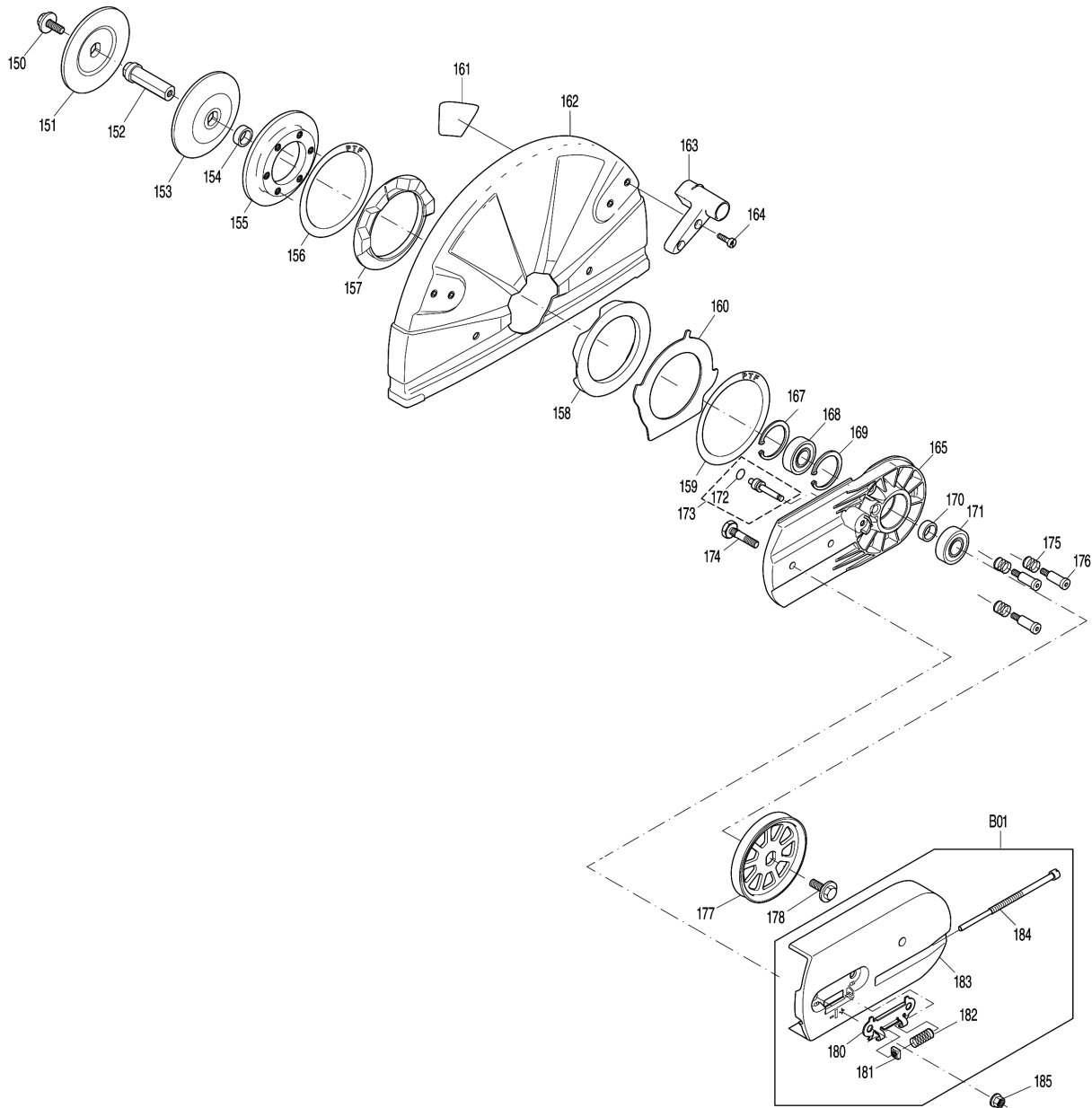
Model No.EK7301 POWER CUTTER



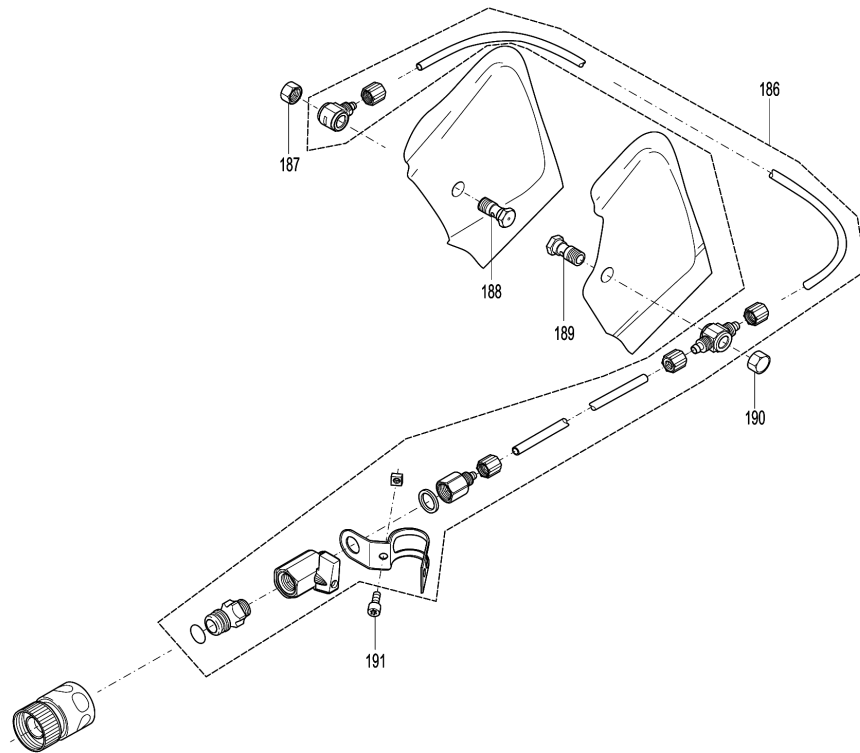
Model No.EK7301 POWER CUTTER



# Model No.EK7301 POWER CUTTER



Model No.EK7301 POWER CUTTER



Model No.EK7301 POWER CUTTER

Item	Parts No.	Description	I/C	Qty	New/Old	Opt. 1	Opt. 2	Note
001	168507-3	TANK CAP COMPLETE		1				
D10		INC. 2						
002	213080-9	O RING 29.5		1				
003	163499-1	SUCTION HEAD		1				
005	266687-0	TAPPING SCREW 5.5X45		1				
006	346870-6	WASHER 5.8X26X2		1				
007	424695-9	VIBRATION DAMPER		1				
008	319268-0	AXLE FOR VIBRATION DAMPER		1				
009	123321-4	FUEL TANK CPL. BLUE		1				
D10		INC. 10-19						
010	422063-0	SINTER INSERT		1				
011	424170-5	VALVE		1				
012	424723-0	FUEL LINE		1				
013	252897-5	SCREW PLUG		4				
014	268335-7	PIN 3		1				
015	268233-5	PIN 3		1				
016	455821-9	SAFETY LEVER		1				
017	233626-5	SPRING		1				
018	455820-1	THROTTLE LEVER		1				
019	806J47-0	INDICATION LABEL		1				
020	326497-8	THROTTLE LINKAGE		1				
021	455806-5	RETAINER FOR DAMPER BLACK		1				
022	424695-9	VIBRATION DAMPER		1				
023	319268-0	AXLE FOR VIBRATION DAMPER		1				
024	266943-8	H.L. SOCKET HEAD BOLT M5X40		1				
025	143211-5	SIDE SUPPORT MAKITA		1				
D10		INC. 26						
026	806J44-6	MAKITA LOGO LABEL		1				
027	266475-5	H.L.TAPPING SCREW 5.5X20		2				
028	319268-0	AXLE FOR VIBRATION DAMPER		1				
029	424695-9	VIBRATION DAMPER		1				
030	346870-6	WASHER 5.8X26X2		1				
031	266687-0	TAPPING SCREW 5.5X45		1				
032	266687-0	TAPPING SCREW 5.5X45		1				
033	346871-4	WASHER		1				
034	424695-9	VIBRATION DAMPER		1				
035	851C80-5	EK7301 NAME PLATE		1				
036	143097-7	WRAP AROUND HANDLE CPL		1				
037	319270-3	FOOT, MACHINED		1				
038	266687-0	TAPPING SCREW 5.5X45		2				



Model No.EK7301 POWER CUTTER

Item	Parts No.	Description	I/C	Qty	New/Old	Opt. 1	Opt. 2	Note
039	424693-3	PLUG		1				
041	123309-4	COVER CPL. BLACK PRE-FILTER		1	*			
D10		INC. 42-45			*			
041-1	127087-8	FILTER COVER ASSEMBLY	<	1				
D10		INC. 42-45						
042	266692-7	THUMB SCREW M6X15		1				
043	123312-5	FILTER COVER COMPLETE		1				
D10		INC. 44						
044	806J48-8	CAUTION LABEL		1	*			
044-1	807L79-2	CAUTION LABEL	O	1				
045	424700-2	PRE-FILTER		1				
053	266941-2	H.L. SOCKET HEAD BOLT M5X50		4				
054	123308-6	HOOD CPL. BLACK		1				
D10		INC. 55-57						
055	424697-5	PACKING RING		1				
056	806J50-1	CAUTION LABEL		1				
057	424703-6	DEKO COVER		1				
058	424701-0	AIR FILTER		1				
059	424705-2	INNER FILTER		1				
060	266960-8	H.L. SOCKET HEAD BOLT M5X20		2				
061	266946-2	H.L. SOCKET HEAD BOLT M5X12		1				
062	267821-5	SPRING WASHER 5		1				
063	161338-9	MUFFLER CPL.		1				
067	346876-4	MUFFLER GASKET		1				
068	346868-3	COOLING PLATE		1				
069	123310-9	INTAKE MANIFOLD CPL.		1				
D10		INC. 70,72,73			*			
D11		INC. 72,73						
070	424699-1	TUBE BLACK RED		1				
071	161311-9	ANGULAR NIPPLE		1				
072	424708-6	INTAKE HOSE		1				
073	233625-7	SPRING CLAMP		1				
074	346867-5	GUIDE RING		1				
075	455808-1	CHOKE SHAFT		1				
076	326496-0	CHOKE LINKAGE		1				
077	266944-6	H.L. SOCKET HEAD BOLT M4X55		2				
078	424710-9	INSULATION TUBE		2				
079	346874-8	GASKET		1				
080	161315-1	CARBURETOR		1				
081	324616-0	HOSE CLAMP		1				

Model No.EK7301 POWER CUTTER

Item	Parts No.	Description	I/C	Qty	New/Old	Opt. 1	Opt. 2	Note
082	424698-3	TUBE 3-120		1				
083	424696-7	RUBBER GROMMET		1				
084	326499-4	NIPPLE		1				
085	806K78-5	MAKITA LOGO LABEL		1				
086	123357-3	STARTING DEVICE CPL. BLUE		1				
D10		INC. 87-94						
087	267862-1	SPRING WASHER 5		1				
088	452458-3	STARTER GRIP		1				
089	266938-1	H.L. SOCKET HEAD BOLT M5X20		4				
090	123315-9	STARTER HOUSING BLUE		1				
091	140587-1	REWIND SPRING COMPLETE		1				
092	143098-5	CABLE DRUM COMPLETE		1				
093	455805-7	AIR GUIDE PLATE		1				
094	257997-6	RETAINING RING A14X1V		1				
095	264107-8	HEXAGONAL NUT M8		1				
096	267822-3	SPRING WASHER 8		1				
097	123306-0	FLYWHEEL D=120 CPL		1				
D10		INC. 98-100						
098	326500-5	BEARING BOLT		2				
099	346865-9	STARTER-RATCHET		2				
100	233535-8	TORSION SPRING 13		2				
101	632E41-4	CABLE WITH PLUG		1				
103	346869-1	CONTACT SPRING		1				
104	266942-0	H.L. SOCKET HEAD BOLT M5X20		2				
105	451462-9	ISOLATING WASHER		2				
106	161310-1	IGNITION COIL CDIM 120-15		1				
107	424706-0	PLUG CAP		1				
108	234358-7	TERMINAL SPRING		1				
109	168517-0	SPARK PLUG		1				
111	455819-6	HOOD		1				
112	266940-4	H.L. SOCKET HEAD BOLT M5X15		3				
113	266945-4	H.L. SOCKET HEAD BOLT M5X30		5				
114	213814-0	RADIAL RING		1				
115	264108-6	SQUARE NUT M5		1				
116	424707-8	RUBBER SHEET		1				
117	143226-2	CRANKCASE MS CPL.		1				
D10		INC. 120						
118	258038-1	CLAMPING PIN		2				
119	346877-2	CRANK CASE GASKET		1				
120	211154-0	BALL BEARING 6202		1				

Model No.EK7301 POWER CUTTER

Item	Parts No.	Description	I/C	Qty	New/Old	Opt. 1	Opt. 2	Note
121	266473-9	H.L. SOCKET HEAD BOLT M5X23		4	*			
121-1	266473-9	H.L. SOCKET HEAD BOLT M5X23	O	4				
122	455804-9	DECOMPRESSION VALVE		1				
123	161319-3	CYLINDER PISTON SET		1	*			
D10		INC. 125-129			*			
123-1	183H02-0	CYLINDER PISTON SET	<	1				
D10		INC. 125-129						
125	234360-0	CIRCLIP 12		1	*			
125-1	234359-5	CIRCLIP 12	<	1				
126	257840-9	PISTON PIN		1				
127	319281-8	PISTON D50 SLR		1	*			
127-1	198663-5	PISTON SET	X	1				
D10		INC. 125,126,128,129						
128	257377-6	PISTON RING		1				
129	234359-5	CIRCLIP 12		1				
130	346873-0	GASKET		1				
131	212133-1	PISTON PIN BEARING 12X16X13		1				
132	254042-8	WOODRUFF-KEY 3X3,7		1				
133	143107-0	CRANKSHAFT CPL.		1				
134	211154-0	BALL BEARING 6202		1				
135	143225-4	CRANKCASE CS CPL		1				
D10		INC. 134						
136	213814-0	RADIAL RING		1				
137	234366-8	SNAP RING A 16		1				
138	346872-2	STOP RING		1				
139	346866-7	GUIDE DISK		1				
140	161317-7	CLUTCH DRUM CPL.		1				
D10		INC. 141						
141	212134-9	NEEDLE ROLLER BEARING 15X21X16		1				
142	267389-1	FLAT WASHER 12		1				
143	123305-2	CLUTCH, CPL		1				
D10		INC. 144						
144	231892-8	TENSION SPRING		3	*			
144-1	231896-0	TENSION SPRING	O	3	*			
144-2	232352-3	TENSION SPRING	O	3				
145	424712-5	V-BELT		1				
146	455832-4	CLUTCH COVER		1				
147	266947-0	H.L. SOCKET HEAD BOLT M5X14		3				
150	266976-3	HEX. BOLT M8X25		1				
151	224443-4	FLANGE 102		1				

Model No.EK7301 POWER CUTTER

Item	Parts No.	Description	I/C	Qty	New/Old	Opt. 1	Opt. 2	Note
152	326503-9	AXLE		1				
153	224443-4	FLANGE 102		1				
154	257375-0	SPACER, 8MM		1				
155	318746-7	PRESSURE RING		1				
156	442169-8	SLIDING DISC		1				
157	424426-6	RUBBER RING(INNER)		1				
158	424427-4	RUBBER RING(OUTER)		1				
159	442169-8	SLIDING DISC		1				
160	346455-8	IMPACT PLATE		1				
161	806J84-4	CAUTION LABEL		1				
162	143796-1	HOOD COMPLETE		1				
D10		INC. 161						
163	452938-9	GRIP		1				
164	266725-8	H.L.SOCKET HEAD BOLT M5X16		2				
165	319286-8	CUTTING DEVICE 14 MACHINED		1				
167	257998-4	RETAINING RING 40X1,75		1				
168	211281-3	BALL BEARING 6203LLU		1				
169	257998-4	RETAINING RING 40X1,75		1				
170	257375-0	SPACER, 8MM		1				
171	211281-3	BALL BEARING 6203LLU		1				
172	213625-3	O-RING 9		1				
173	123307-8	STOP BOLT CPL.		1				
D10		INC. 172						
174	266688-8	HEX. BOLT M8		2				
175	234216-7	COMPRESSION SPRING 8		3				
176	266689-6	H.L.COLLAR BOLT M6		3				
177	222180-4	PULLEY COMPLETE		1				
178	266976-3	HEX. BOLT M8X25		1				
180	346457-4	PLATE		1				
181	264112-5	SQUARE NUT M6		1				
182	234215-9	COMPRESSION SPRING 6		1				
183	455956-6	BELT COVER		1				
184	266691-9	TENSIONING SCREW M6		1				
185	252145-2	COLLARED HEX NUT M8		2				
A01	197200-2	TOOL KIT		1	*			
C10	782025-3	TORX WRENCH		1	*			
C20	782028-7	UNIVERSAL WRENCH 13-19		1	*			
C30	783012-5	SCREWDRIVER		1	*			
C40	831340-3	TOOL BAG		1	*			
A01-1	197200-2	TOOL KIT	O	1				
C10	782025-3	TORX WRENCH		1				

Model No.EK7301 POWER CUTTER

Item	Parts No.	Description	I/C	Qty	New/Old	Opt. 1	Opt. 2	Note
C20	782028-7	UNIVERSAL WRENCH 13-19		1				
C30	783012-5	SCREWDRIVER		1				
C40	831340-3	TOOL BAG		1				
E01	809P12-4	CLEAR LABEL		1				

Please order the parts with part number.

Print Date 27/3/2020