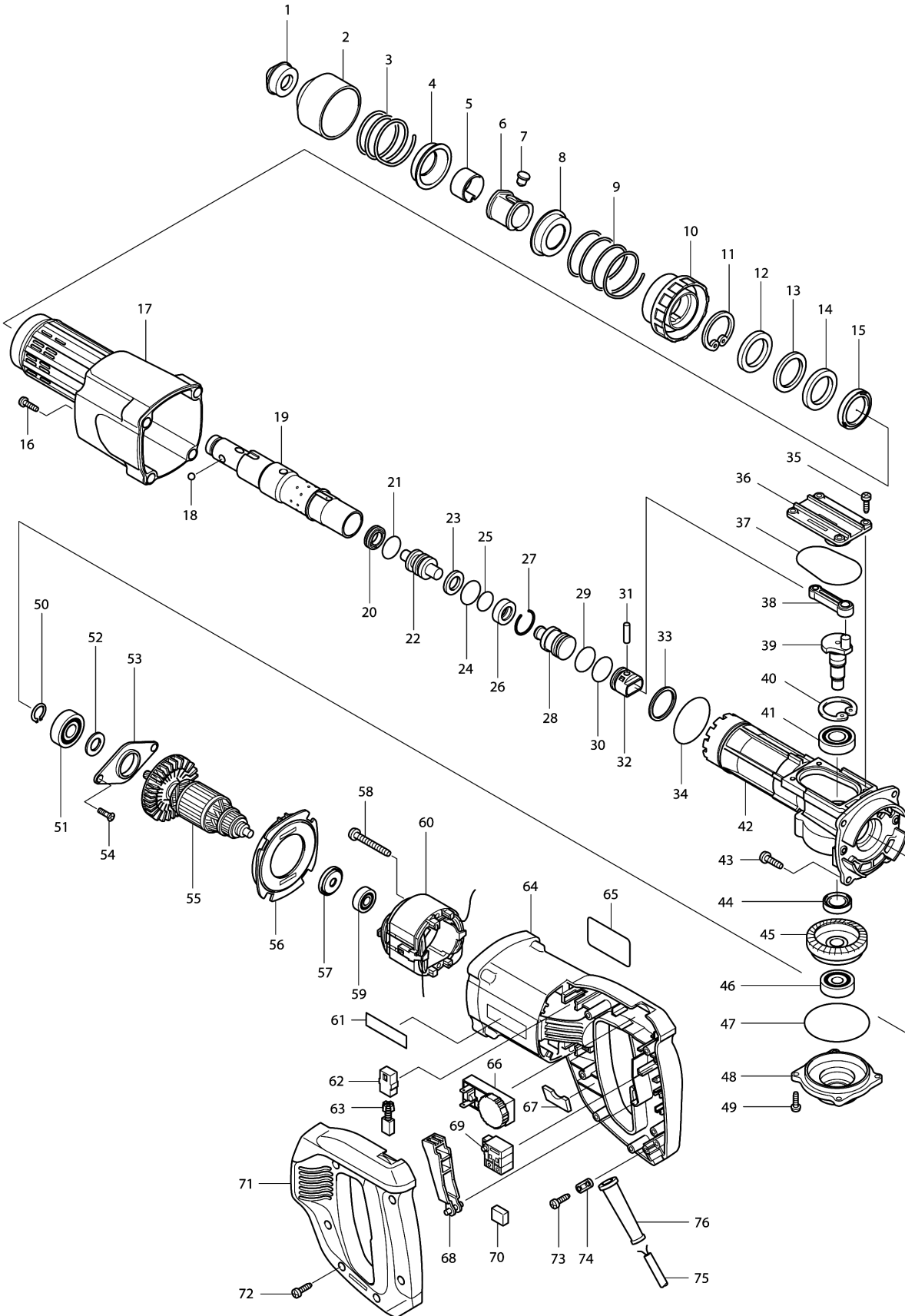


# Model No.HK0500 POWER SCRAPER



Model No.HK0500 POWER SCRAPER

Item	Parts No.	Description	I/C	Qty	New/Old	Opt. 1	Opt. 2	Note
001	286248-0	CAP 31		1	*			
001-1	286265-0	CAP 31	X	1				
002	416729-2	CHUCK COVER		1				
003	233203-3	COMPRESSION SPRING 38		1				
004	344691-0	SPRING GUIDE		1				
005	232192-9	LEAF SPRING 26		1				
006	323724-4	CHUCK RING		1				
007	256447-8	PIN 8		1				
008	344691-0	SPRING GUIDE		1				
009	233238-4	COMPRESSION SPRING 38		1				
010	416733-1	CHANGE RING		1				
011	962156-6	RETAINING RING R-38		1				
012	257218-6	RING 27		1				
013	261113-4	URETHANE WASHER 28		1				
014	257218-6	RING 27		1				
015	213433-2	OIL SEAL 30		1				
016	265995-6	TAPPING SCREW 4X18		2				
017	416734-9	CRANK HOUSING COVER		1				
018	216022-2	STEEL BALL 7.0		1				
019	323839-7	TOOL HOLDER		1	*			
019-1	324063-5	TOOL HOLDER	S	1				
020	213173-2	X RING 13		1				
021	213214-4	O RING 16		1				
022	323847-8	IMPACT BOLT		1	*			
022-1	324012-2	IMPACT BOLT	X	1				
023	267192-0	FLAT WASHER 13		1				
024	213175-8	O RING 14		1				
025	213117-2	O RING 11		1				
026	323846-0	O RING CASE		1				
027	231987-7	RING SPRING 21		1				
028	323848-6	STRIKER		1				
029	213227-5	O RING 16		1				
030	213227-5	O RING 16		1				
031	256123-4	PIN 5		1				
032	416726-8	PISTON		1				
033	267129-7	FLAT WASHER 27		1				
034	213560-5	O RING 44		1				
035	266034-5	TAPPING SCREW CT 4X16		4				
036	416732-3	CRANK CAP		1				
037	213656-2	O RING 53		1				
038	416727-6	ROD		1				
039	323826-6	CRANK SHAFT		1				

Model No.HK0500 POWER SCRAPER

Item	Parts No.	Description	I/C	Qty	New/Old	Opt. 1	Opt. 2	Note
040	962151-6	RETAINING RING R-32		1				
041	211232-6	BALL BEARING 6002LLU		1				
042	151543-6	CRANK HOUSING COMPLETE		1				
C10	262079-1	SLEEVE 27		1				
043	266021-4	TAPPING SCREW 5X20		4				
044	213219-4	OIL SEAL 15		1				
045	226779-7	SPIRAL BEVEL GEAR 41		1				
046	211066-7	BALL BEARING 6200LLB		1				
047	213656-2	O RING 53		1	*			
047-1	213663-5	O RING 55	O	1				
048	151579-5	GEAR COVER COMPLETE		1				
C10	263002-9	RUBBER PIN 4		1				
049	266034-5	TAPPING SCREW CT 4X16		4				
050	961052-5	RETAINING RING S-12		1				
051	211129-9	BALL BEARING 6201DDW		1				
052	253069-5	FLAT WASHER 12		1				
053	285690-2	BEARING RETAINER 68		1				
054	251304-5	+ COUNTERSUNK HEAD SCREW M4X12		2				
055B_	518626-9	ARMATURE ASS'Y 220V		1				
C10	240021-2	FAN 60		1				
D10		INC. 57,59						
056	416730-7	BAFFLE PLATE		1				
057	681644-1	INSULATION WASHER		1				
058	266211-9	TAPPING SCREW 5X40		2				
059	210005-4	BALL BEARING 608DDW		1				
060A_	594319-2	FIELD ASS'Y 240V		1				
C10	654069-2	RECEPTACLE		1				
061	819063-3	MAKITA LABEL		1	*			
062	643605-9	BRUSH HOLDER		2				
063	191904-8	A.C. CARBON BRUSH CB-113		1				
064	416736-5	MOTOR HOUSING		1				
065	851374-0	NAME PLATE HK0500		1				
066A_	631291-8	CONTROLLER 220-240V		1				
067	423308-9	SPONGE SHEET 13-33		1				
068	416728-4	SWITCH LEVER		1				
069	651969-7	SWITCH		1				
070A_	645200-1	NOISE SUPPRESSOR		1				
071	151544-4	HANDLE COVER COMPLETE		1				
C10	263002-9	RUBBER PIN 4		2				
072	265995-6	TAPPING SCREW 4X18		6				
073	265995-6	TAPPING SCREW 4X18		2				
074C_	687063-9	CORD CLAMP		1	*			

Please order the parts with part number.

Print Date 30/3/2020

Model No.HK0500 POWER SCRAPER

Item	Parts No.	Description	I/C	Qty	New/Old	Opt. 1	Opt. 2	Note
074C1	687052-4	STRAIN RELIEF	X	1				
075C_	665883-1	POWER SUPPLY CORD 1.0-2-5.0		1				
076	682540-6	CORD GUARD 9.3-90		1	*			
076-1	682505-8	CORD GUARD 10-90	O	1				
077	231979-6	RING SPRING 17		1				
078	135167-6	TOOL HOLDER ASS'Y		1				
D10		INC. 19-27						
A01	A-30483	SCALING CHISEL 38-200		1				
A02	824523-2	PLASTIC CARRYING CASE		1				
C10	416401-6	LATCH		2	*			
C11	163455-1	LATCH	X	2				
E01	652257-5	CLAMP WASHER		2				
E02	654532-5	TERMINAL BLOCK 1P		1				
E05	646047-6	CHOKE COIL		1				
E06	539147-8	CHOKE COIL ASS'Y		1				
E07	654002-4	TERMINAL 1.25-M4		2				
E08	654077-3	INSULATED TERMINAL FK2-M3D-5.5		1				
E17	646048-4	CHOKE COIL		1				

Please order the parts with part number.

Print Date 30/3/2020