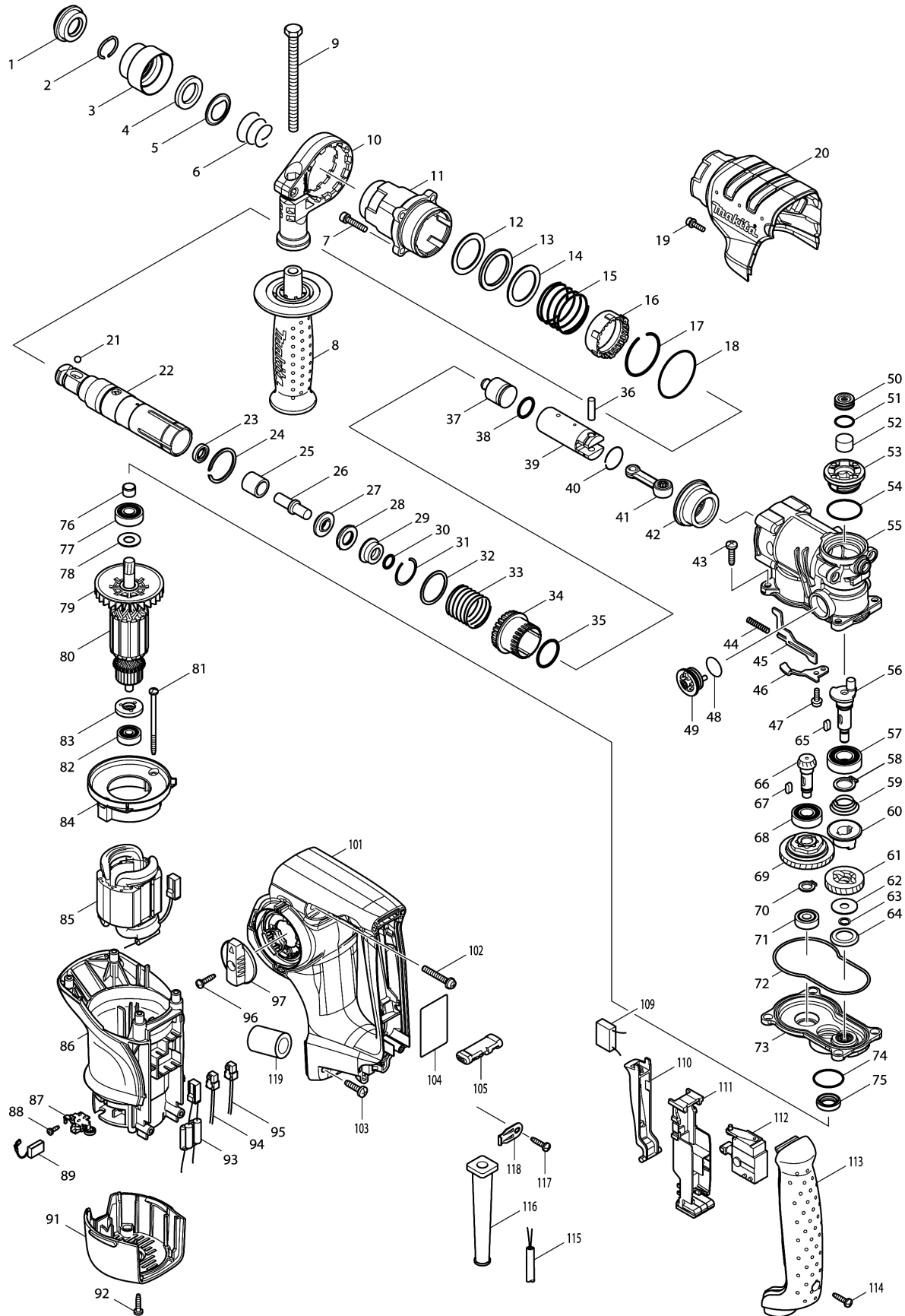


Model No.HR2810 ROTARY HAMMER 28MM



Model No.HR2810 ROTARY HAMMER 28MM

Item	Parts No.	Description	I/C	Qty	New/Old	Opt. 1	Opt. 2	Note
001	286263-4	CAP 35		1				
002	233940-9	RING SPRING 19		1				
003	417629-9	CHUCK COVER		1				
004	257241-1	RING 21		1				
005	345187-4	GUIDE WASHER		1				
006	233916-6	CONICAL COMP. SPRING 21-29		1				
007	922241-7	HEX. SOCKET HEAD BOLT M5X25		4				
008	154842-5	GRIP 36 COMPLETE		1	*			
C10	931402-8	HEX. NUT M8		1	*			
008-1	158057-6	GRIP 36 COMPLETE	O	1				
C10	931402-8	HEX. NUT M8		1				
009	921919-9	HEX. BOLT M8X110		1				
010	419975-6	GRIP BASE 20		1				
011	158288-7	BARREL COMPLETE		1				
C10	212403-8	NEEDLE BEARING 3012		1				
C20	213965-9	OIL SEAL 25		1	*			
C21	213345-9	OIL SEAL 25	O	1				
012	267354-0	FLAT WASHER 31		1				
013	262133-1	URETHANE RING 31		1				
014	267354-0	FLAT WASHER 31		1				
015	234020-4	COMPRESSION SPRING 37		1				
016	419986-1	LOCK SLEEVE		1				
017	233952-2	RING SPRING 41		1				
018	213620-3	O RING 46		1				
019	922128-3	HEX. SOCKET HEAD BOLT M4X16		1				
020	419984-5	CRANK HOUSING COVER		1				
021	216022-2	STEEL BALL 7.0		1				
022	158285-3	TOOL HOLDER COMPLETE		1	*			
022-1	123191-1	TOOL HOLDER ASSEMBLY	<	1				
C10	158285-3	TOOL HOLDER COMPLETE		1				
D10		INC. 23-31						
023	213076-0	OIL SEAL 9		1	*			
023-1	213344-1	OIL SEAL 9	O	1				
024	961140-8	RETAINING RING		1				
025	331769-8	SLEEVE 9		1				
026	324669-9	IMPACT BOLT		1				
027	324402-9	RING 10		1				
028	421955-0	CUSHION RING 13		1				
029	324216-6	O RING CASE		1				
030	213073-6	O RING 9		1				
031	233917-4	RING SPRING 28		1				

Please order the parts with part number.

Print Date 30/3/2020

Model No.HR2810 ROTARY HAMMER 28MM

Item	Parts No.	Description	I/C	Qty	New/Old	Opt. 1	Opt. 2	Note
032	267105-1	FLAT WASHER 29		1				
033	234021-2	COMPRESSION SPRING 30		1				
034	331770-3	DRIVING SLEEVE		1				
035	213435-8	O RING 26		1				
036	256099-5	PIN 6		1				
037	324733-6	STRIKER		1				
038	213227-5	O RING 16		1				
039	331776-1	PISTON CYLINDER		1				
040	233954-8	RING SPRING 21		1				
041	158282-9	CONNECTING ROD COMPLETE		1				
C10	212043-2	NEEDLE BEARING 810		1				
042	227532-4	SPIRAL BEVEL GEAR 31		1				
043	266420-0	TAPPING SCREW 5X20		4				
044	234019-9	COMPRESSION SPRING 4		1				
045	345814-3	LINK PLATE		1				
046	345815-1	GUIDE PLATE		1				
047	911118-1	PAN HEAD SCREW M4X12		1				
048	213262-3	O RING 18		1				
049	162256-4	LINK LEVER COMPLETE		1				
050	419988-7	FILTER CAP		1				
051	213218-6	O RING 16		1				
052	443129-3	FILTER		1				
053	419987-9	CRANK CAP		1				
054	213406-5	O RING 30		1				
055	158289-5	CRANK HOUSING COMPLETE		1	*			
055-1	158289-5	CRANK HOUSING COMPLETE	O	1				
056	324793-8	CRANK SHAFT		1				
057	211232-6	BALL BEARING 6002LLU		1				
058	961055-9	RETAINING RING S-15		1				
059	233951-4	C. C. SPRING 16-26		1				
060	223167-9	CLUTCH		1				
061	226653-9	HELICAL GEAR 29		1				
062	267353-2	FLAT WASHER 8		1				
063	961034-7	RETAINING RING		1				
064	345818-5	CUP WASHER 16		1				
065	254239-9	KEY 4		2				
066	227524-3	SPIRAL BEVEL GEAR 9		1				
067	254239-9	KEY 4		1				
068	210105-0	BALL BEARING 6001LLU		1				
069	125386-2	TORQUE LIMITER ASS'Y		1				
070	961006-2	RETAINING RING S-10		1				
071	210024-0	BALL BEARING 608LLU		1				

Please order the parts with part number.

Print Date 30/3/2020

Model No.HR2810 ROTARY HAMMER 28MM

Item	Parts No.	Description	I/C	Qty	New/Old	Opt. 1	Opt. 2	Note
072	424028-8	SEAL RING		1				
073	158287-9	GEAR HOUSING COMPLETE		1				
074	213445-5	O-RING 26		1				
075	213133-4	OIL SEAL 12		1	*			
075-1	213678-2	OIL SEAL 12	O	1				
076	331775-3	SLEEVE 10		1				
077	210054-1	BALL BEARING 6000LLU		1				
078	253171-4	FLAT WASHER 10		1				
079	240095-3	FAN 64		1				
080	515294-9	ARMATURE ASS'Y 240V		1				
D10		INC. 79,82,83						
081	266325-4	TAPPING SCREW 4X70		2				
082	210023-2	BALL BEARING 627DDW		1				
083	681656-4	INSULATION WASHER		1				
084	419989-5	BUFFLE PLATE		1				
085	526584-5	FIELD ASS'Y 240V		1				
C10	654283-0	CONTACT		2				
C20	686044-0	CONNECTOR HOUSING		1				
086	419981-1	MOTOR HOUSING		1				
087	643766-5	BRUSH HOLDER		2				
088	266421-8	TAPPING SCREW 3X10		2				
089	194074-2	CARBON BRUSH CB-325		1				
091	419983-7	REAR COVER		1				
092	266326-2	TAPPING SCREW 4X18		2				
093	638568-2	CHOKE COIL UNIT		1				
094	638567-4	LEAD UNIT		1				
095	638566-6	LEAD UNIT		1				
096	266326-2	TAPPING SCREW 4X18		1				
097	158284-5	CHANGE LEVER COMPLETE		1				
101	419976-4	HANDLE		1				
102	911258-5	PAN HEAD SCREW M5X35		2				
103	266420-0	TAPPING SCREW 5X20		2				
104	863914-2	HR2810 NAME PLATE		1				
105	419992-6	F/R CHANGE LEVER		1				
109	645200-1	NOISE SUPPRESSOR		1				
110	419990-0	SWITCH LEVER		1				
111	158281-1	SWITCH HOLDER COMPLETE		1				
112	650591-7	SWITCH		1				
113	419980-3	HANDLE COVER		1				
114	266326-2	TAPPING SCREW 4X18		1				
115	665890-4	POWER SUPPLY CORD 1.0-2-4.0		1				
116	682573-1	CORD GUARD 10		1				

Please order the parts with part number.

Print Date 30/3/2020

Model No.HR2810 ROTARY HAMMER 28MM

Item	Parts No.	Description	I/C	Qty	New/Old	Opt. 1	Opt. 2	Note
117	266326-2	TAPPING SCREW 4X18		1				
118	687169-3	STRAIN RELIEF		1				
119	685722-9	SPONGE		1				
120	819355-0	CLEAR LABEL		1	*			
120-1	892373-3	CLEAR LABEL		1				
A01	324219-0	DEPTH GAUGE		1				
A02	824789-4	PLASTIC CARRYING CASE		1				
C10	324207-7	SHAFT		1				
C20	417724-5	LATCH		2				
C30	419216-0	HANDLE		1				
A03	805761-5	HR2810 PLASTIC CASE LABEL		1				

Please order the parts with part number.

Print Date 30/3/2020