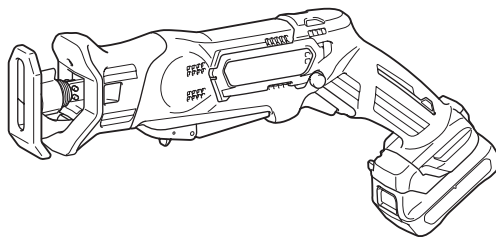




<b>EN</b>	Cordless Recipro Saw	INSTRUCTION MANUAL	4
<b>SV</b>	Batteridrivnen tigersåg	BRUKSANVISNING	9
<b>NO</b>	Batteridrevet bajonettsag	BRUKSANVISNING	14
<b>FI</b>	Akkukäyttöinen puukkosaha	KÄYTTÖOHJE	19
<b>LV</b>	Bezvadu zobenzāģis	LIETOŠANAS INSTRUKCIJA	24
<b>LT</b>	Belaidis atbulinis pjūklas	NAUDOJIMO INSTRUKCIJA	29
<b>ET</b>	Juhtmeta lõikesaag	KASUTUSJUHEND	34
<b>RU</b>	Аккумуляторная сабельная пила	РУКОВОДСТВО ПО ЭКСПЛУАТАЦИИ	39

**JR103D**  
**JR105D**



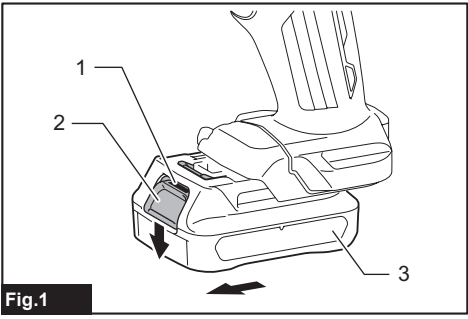


Fig.1

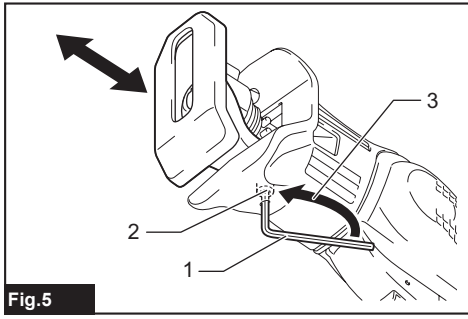


Fig.5

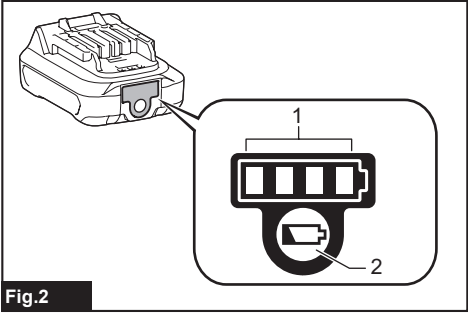


Fig.2

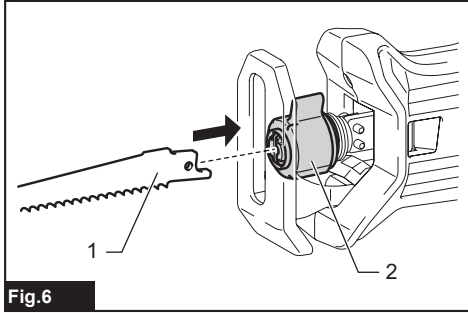


Fig.6

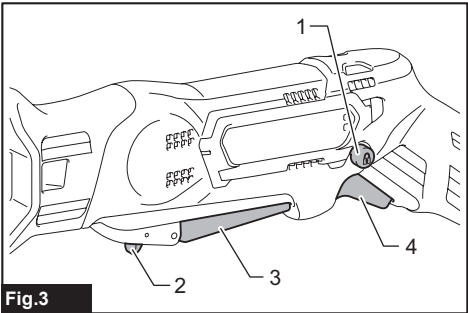


Fig.3

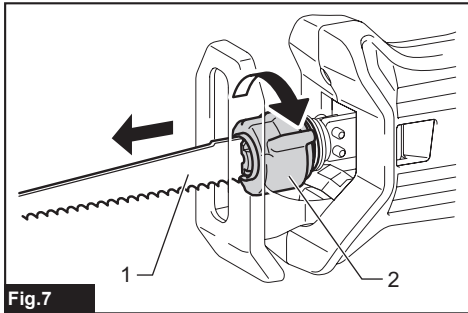


Fig.7

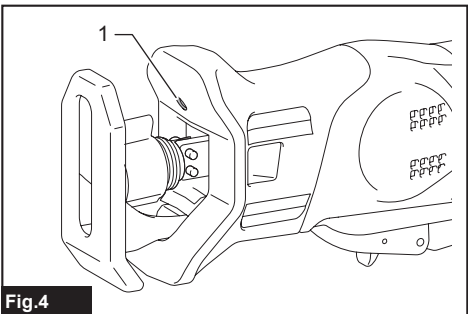


Fig.4

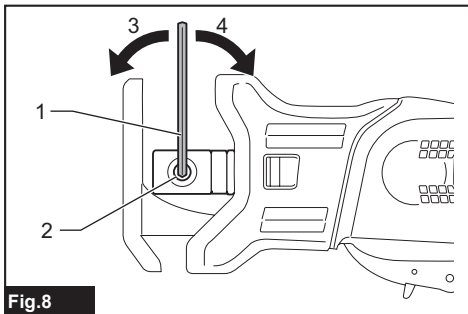


Fig.8

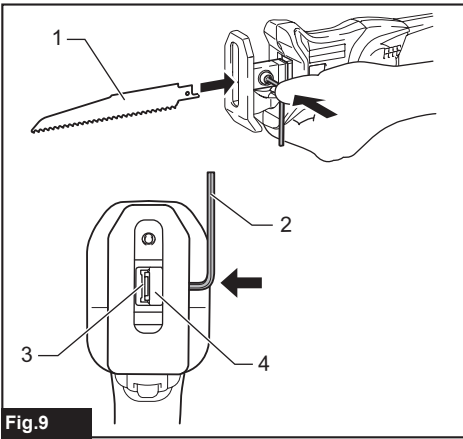


Fig.9

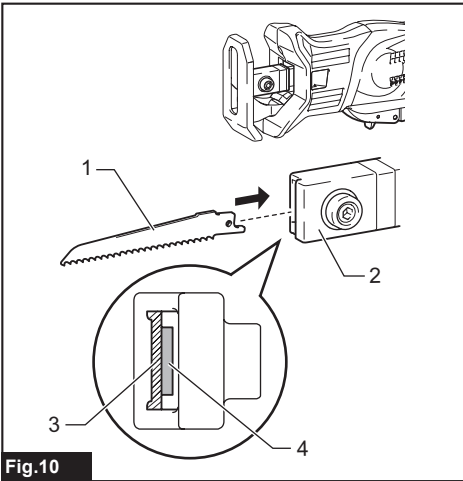


Fig.10

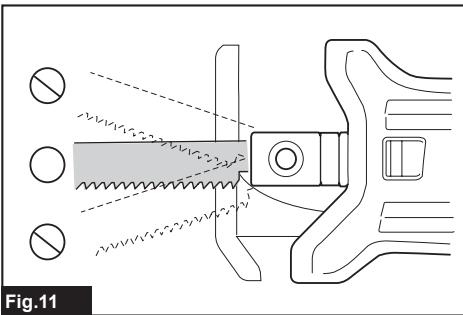


Fig.11

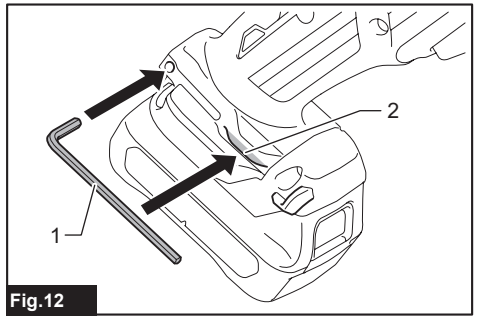


Fig.12

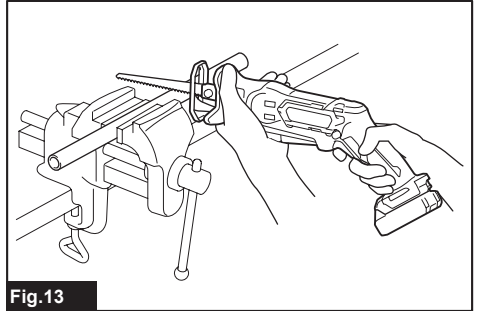


Fig.13

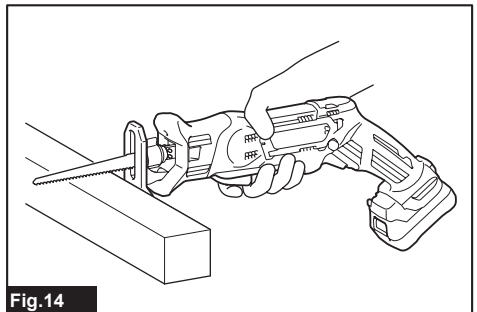


Fig.14

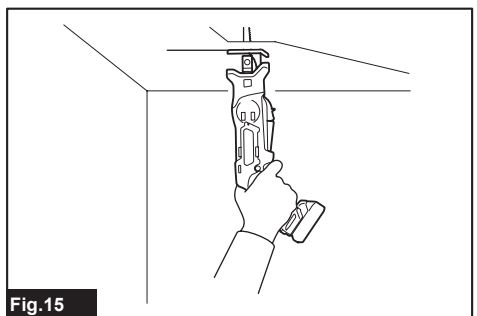


Fig.15

# SPECIFICATIONS

Model:	JR103D	JR105D
Length of stroke	13 mm	
Strokes per minute	0 - 3,300 min <sup>-1</sup>	
Max. cutting capacities	Pipe	50 mm
	Wood	50 mm
Rated voltage	D.C. 10.8 V - 12 V max	
Overall length (Depending on the battery)	376 - 386 mm	
Net weight	1.3 - 1.5 kg	

- Due to our continuing program of research and development, the specifications herein are subject to change without notice.
- Specifications may differ from country to country.
- The weight may differ depending on the attachment(s), including the battery cartridge. The lightest and heaviest combination, according to EPTA-Procedure 01/2014, are shown in the table.

## Applicable battery cartridge and charger

Battery cartridge	BL1015 / BL1016 / BL1020B / BL1021B / BL1040B / BL1041B
Charger	DC10SA / DC10SB / DC10WC / DC10WD / DC18RE

- Some of the battery cartridges and chargers listed above may not be available depending on your region of residence.

**⚠ WARNING: Only use the battery cartridges and chargers listed above.** Use of any other battery cartridges and chargers may cause injury and/or fire.

## Intended use

The tool is intended for sawing wood, plastic and ferrous materials.

## Noise

The typical A-weighted noise level determined according to EN62841-2-11:

### Model JR103D

Sound pressure level ( $L_{pA}$ ) : 78 dB(A)  
Uncertainty (K) : 3 dB(A)

The noise level under working may exceed 80 dB (A).

### Model JR105D

Sound pressure level ( $L_{pA}$ ) : 78 dB(A)  
Uncertainty (K) : 3 dB(A)

The noise level under working may exceed 80 dB (A).

**NOTE:** The declared noise emission value(s) has been measured in accordance with a standard test method and may be used for comparing one tool with another.

**NOTE:** The declared noise emission value(s) may also be used in a preliminary assessment of exposure.

**⚠ WARNING: Wear ear protection.**

**⚠ WARNING: The noise emission during actual use of the power tool can differ from the declared value(s) depending on the ways in which the tool is used especially what kind of workpiece is processed.**

**⚠ WARNING: Be sure to identify safety measures to protect the operator that are based on an estimation of exposure in the actual conditions of use (taking account of all parts of the operating cycle such as the times when the tool is switched off and when it is running idle in addition to the trigger time).**

## Vibration

The vibration total value (tri-axial vector sum) determined according to EN62841-2-11:

### Model JR103D

Work mode: cutting boards  
Vibration emission ( $a_{h,B}$ ) : 8.0 m/s<sup>2</sup>  
Uncertainty (K) : 1.5 m/s<sup>2</sup>  
Work mode: cutting wooden beams  
Vibration emission ( $a_{h,WB}$ ) : 8.0 m/s<sup>2</sup>  
Uncertainty (K) : 1.5 m/s<sup>2</sup>

### Model JR105D

Work mode: cutting boards  
Vibration emission ( $a_{h,B}$ ) : 8.0 m/s<sup>2</sup>  
Uncertainty (K) : 1.5 m/s<sup>2</sup>

Work mode: cutting wooden beams

Vibration emission ( $a_{h,wb}$ ) 8.0 m/s<sup>2</sup>

Uncertainty (K) : 1.5 m/s<sup>2</sup>

**NOTE:** The declared vibration total value(s) has been measured in accordance with a standard test method and may be used for comparing one tool with another.

**NOTE:** The declared vibration total value(s) may also be used in a preliminary assessment of exposure.

**⚠WARNING:** The vibration emission during actual use of the power tool can differ from the declared value(s) depending on the ways in which the tool is used especially what kind of workpiece is processed.

**⚠WARNING:** Be sure to identify safety measures to protect the operator that are based on an estimation of exposure in the actual conditions of use (taking account of all parts of the operating cycle such as the times when the tool is switched off and when it is running idle in addition to the trigger time).

## EC Declaration of Conformity

### For European countries only

The EC declaration of conformity is included as Annex A to this instruction manual.

## General power tool safety warnings

**⚠WARNING:** Read all safety warnings, instructions, illustrations and specifications provided with this power tool. Failure to follow all instructions listed below may result in electric shock, fire and/or serious injury.

## Save all warnings and instructions for future reference.

The term "power tool" in the warnings refers to your mains-operated (corded) power tool or battery-operated (cordless) power tool.

## Cordless reciprocating saw safety warnings

1. **Hold the power tool by insulated gripping surfaces, when performing an operation where the cutting accessory may contact hidden wiring.** Cutting accessory contacting a "live" wire may make exposed metal parts of the power tool "live" and could give the operator an electric shock.
2. **Use clamps or another practical way to secure and support the workpiece to a stable platform.** Holding the workpiece by hand or against your body leaves it unstable and may lead to loss of control.
3. **Always use safety glasses or goggles.** Ordinary eye or sun glasses are NOT safety glasses.
4. **Avoid cutting nails.** Inspect workpiece for any nails and remove them before operation.
5. **Do not cut oversize workpiece.**

6. **Check for the proper clearance beyond the workpiece before cutting so that the blade will not strike the floor, workbench, etc.**
7. **Hold the tool firmly.**
8. **Make sure the blade is not contacting the workpiece before the switch is turned on.**
9. **Keep hands away from moving parts.**
10. **Do not leave the tool running.** Operate the tool only when hand-held.
11. **Always switch off and wait for the blade to come to a complete stop before removing the blade from the workpiece.**
12. **Do not touch the blade or the workpiece immediately after operation; they may be extremely hot and could burn your skin.**
13. **Do not operate the tool at no-load unnecessarily.**
14. **Always use the correct dust mask/respirator for the material and application you are working with.**
15. **Some material contains chemicals which may be toxic. Take caution to prevent dust inhalation and skin contact. Follow material supplier safety data.**

## SAVE THESE INSTRUCTIONS.

**⚠WARNING:** DO NOT let comfort or familiarity with product (gained from repeated use) replace strict adherence to safety rules for the subject product. MISUSE or failure to follow the safety rules stated in this instruction manual may cause serious personal injury.

## Important safety instructions for battery cartridge

1. **Before using battery cartridge, read all instructions and cautionary markings on (1) battery charger, (2) battery, and (3) product using battery.**
2. **Do not disassemble battery cartridge.**
3. **If operating time has become excessively shorter, stop operating immediately.** It may result in a risk of overheating, possible burns and even an explosion.
4. **If electrolyte gets into your eyes, rinse them out with clear water and seek medical attention right away.** It may result in loss of your eyesight.
5. **Do not short the battery cartridge:**
  - (1) **Do not touch the terminals with any conductive material.**
  - (2) **Avoid storing battery cartridge in a container with other metal objects such as nails, coins, etc.**
  - (3) **Do not expose battery cartridge to water or rain.**

A battery short can cause a large current flow, overheating, possible burns and even a breakdown.
6. **Do not store the tool and battery cartridge in locations where the temperature may reach or exceed 50 °C (122 °F).**

7. Do not incinerate the battery cartridge even if it is severely damaged or is completely worn out. The battery cartridge can explode in a fire.
8. Be careful not to drop or strike battery.
9. Do not use a damaged battery.
10. The contained lithium-ion batteries are subject to the Dangerous Goods Legislation requirements.

For commercial transports e.g. by third parties, forwarding agents, special requirement on packaging and labeling must be observed.

For preparation of the item being shipped, consulting an expert for hazardous material is required. Please also observe possibly more detailed national regulations.

Tape or mask off open contacts and pack up the battery in such a manner that it cannot move around in the packaging.

11. Follow your local regulations relating to disposal of battery.
12. Use the batteries only with the products specified by Makita. Installing the batteries to non-compliant products may result in a fire, excessive heat, explosion, or leak of electrolyte.

## SAVE THESE INSTRUCTIONS.

**CAUTION:** Only use genuine Makita batteries. Use of non-genuine Makita batteries, or batteries that have been altered, may result in the battery bursting causing fires, personal injury and damage. It will also void the Makita warranty for the Makita tool and charger.

## Tips for maintaining maximum battery life

1. Charge the battery cartridge before completely discharged. Always stop tool operation and charge the battery cartridge when you notice less tool power.
2. Never recharge a fully charged battery cartridge. Overcharging shortens the battery service life.
3. Charge the battery cartridge with room temperature at 10 °C - 40 °C (50 °F - 104 °F). Let a hot battery cartridge cool down before charging it.

## FUNCTIONAL DESCRIPTION

**CAUTION:** Always be sure that the tool is switched off and the battery cartridge is removed before adjusting or checking function on the tool.

### Installing or removing battery cartridge

**CAUTION:** Always switch off the tool before installing or removing of the battery cartridge.

**CAUTION:** Hold the tool and the battery cartridge firmly when installing or removing battery cartridge. Failure to hold the tool and the battery cartridge firmly may cause them to slip off your hands and result in damage to the tool and battery cartridge and a personal injury.

► Fig.1: 1. Red indicator 2. Button 3. Battery cartridge

To remove the battery cartridge, slide it from the tool while sliding the button on the front of the cartridge.

To install the battery cartridge, align the tongue on the battery cartridge with the groove in the housing and slip it into place. Insert it all the way until it locks in place with a little click. If you can see the red indicator on the upper side of the button, it is not locked completely.

**CAUTION:** Always install the battery cartridge fully until the red indicator cannot be seen. If not, it may accidentally fall out of the tool, causing injury to you or someone around you.

**CAUTION:** Do not install the battery cartridge forcibly. If the cartridge does not slide in easily, it is not being inserted correctly.

### Battery protection system

The tool is equipped with a battery protection system. This system automatically cuts off power to the motor to extend battery life.

The tool will automatically stop during operation if the tool and/or battery are placed under one of the following conditions:

#### Overloaded:

The tool is operated in a manner that causes it to draw an abnormally high current.

In this situation, turn the tool off and stop the application that caused the tool to become overloaded. Then turn the tool on to restart.

If the tool does not start, the battery is overheated. In this situation, let the battery cool before turning the tool on again.

#### Low battery voltage:

The remaining battery capacity is too low and the tool will not operate. If you turn the tool on, the motor runs again but stops soon. In this situation, remove and recharge the battery.

## Indicating the remaining battery capacity

Only for battery cartridges with the indicator

► Fig.2: 1. Indicator lamps 2. Check button

Press the check button on the battery cartridge to indicate the remaining battery capacity. The indicator lamps light up for a few seconds.

Indicator lamps		Remaining capacity
Lighted	Off	
■ ■ ■ ■	□	75% to 100%
■ ■ ■ □	□	50% to 75%
■ ■ □ □	□ □	25% to 50%
■ □ □ □	□ □ □ □	0% to 25%

**NOTE:** Depending on the conditions of use and the ambient temperature, the indication may differ slightly from the actual capacity.

## Switch action

**CAUTION:** Before installing the battery cartridge into the tool, always check to see that the switch lever/trigger actuates properly and returns to the "OFF" position when released.

► Fig.3: 1. Lock-off button 2. Lock-off lever 3. Switch lever 4. Switch trigger

To prevent the switch lever/trigger from accidentally pulled, the lock-off lever/button are provided.

To start the tool, pull either switch lever or trigger.

- For the switch lever, pull the lock-off lever and then pull the switch lever to start the tool.
- For the switch trigger, depress the lock-off button and then pull the switch trigger to start to the tool. The lock-off button can be pressed from either right or left.

The tool speed is increased by increasing pressure on the switch lever/trigger. Release the switch lever/trigger to stop.

**NOTICE:** Do not pull the switch lever/trigger hard without pulling the lock-off lever/button. This can cause switch breakage.

## Lighting up the front lamp

**CAUTION:** Do not look in the light or see the source of light directly.

► Fig.4: 1. Lamp

Pull the switch lever/trigger to light up the lamp. The lamp keeps on lighting while the switch lever/trigger is being pulled. The lamp goes out approximately 10 seconds after releasing the switch lever/trigger.

**NOTE:** Use a dry cloth to wipe the dirt off the lens of the lamp. Be careful not to scratch the lens of lamp, or it may lower the illumination.

## Adjusting the shoe

► Fig.5: 1. Hex wrench 2. Hex bolt 3. Loosen

When the blade loses its cutting efficiency in one place along its cutting edge, reposition the shoe to utilize a sharp, unused portion of its cutting edge. This will help to lengthen the life of the blade.

To reposition the shoe, loosen the bolt with hex wrench. Slide the shoe to the desired position and then tighten the bolt firmly.

## ASSEMBLY

**CAUTION:** Always be sure that the tool is switched off and the battery cartridge is removed before carrying out any work on the tool.

## Installing or removing the recipro/jig saw blade

**CAUTION:** Always clean out all chips or foreign matter adhering to the blade and around the blade clamp. Failure to do so may cause insufficient tightening of the blade, resulting in a serious injury.

For Model JR103D

► Fig.6: 1. Recipro saw blade 2. Blade clamp sleeve

Insert the recipro saw blade into the blade clamp as far as it will go. The blade clamp sleeve rotates and fixes the recipro saw blade. Make sure that the recipro saw blade cannot be extracted even though you try to pull it out.

**CAUTION:** If you do not insert the recipro saw blade deep enough, the recipro saw blade may be ejected unexpectedly during operation. This can be extremely dangerous.

**NOTE:** You can not use the jig saw blade with JR103D.

► Fig.7: 1. Recipro saw blade 2. Blade clamp sleeve

To remove the recipro saw blade, rotate the blade clamp sleeve in the direction of the arrow fully. The recipro saw blade is removed and the blade clamp sleeve is fixed at the released position.

**NOTE:** If you remove the recipro saw blade without rotating the blade clamp sleeve fully, the sleeve may not be fixed. In this case, rotate the blade clamp sleeve fully, then make the sleeve fixed at the released position.

### For Model JR105D

► **Fig.8:** 1. Hex wrench 2. Bolt 3. Loosen 4. Tighten

► **Fig.9:** 1. Recipro saw blade 2. Hex wrench 3. Hole for recipro saw blade 4. Blade clamp

To install the recipro/jig saw blade, loosen the bolt by hex wrench. When installing a recipro saw blade, press the bolt with the hex wrench to open the slot during inserting the blade.

► **Fig.10:** 1. Recipro/jig saw blade 2. Blade clamp 3. Hole for recipro saw blade 4. Hole for jig saw blade

► **Fig.11**

You can use both jig saw blades (B type) and recipro saw blades according to your work. Insert the recipro/jig saw blade straight into the blade clamp and tighten it by hex wrench. Pull the recipro/jig saw blade lightly to make sure that the recipro/jig saw blade does not fall off during operation.

To remove the recipro/jig saw blade, follow the installation procedure in reverse.

## Hex wrench storage

► **Fig.12:** 1. Hex wrench 2. Protrusion

When not in use, store the hex wrench as shown in the figure to keep it from being lost.

## OPERATION

**CAUTION:** Always press the shoe firmly against the workpiece during operation. If the shoe is removed or held away from the workpiece during operation, strong vibration and/or twisting will be produced, causing the blade to snap dangerously.

**CAUTION:** Always wear gloves to protect your hands from hot flying chips when cutting metal.

**CAUTION:** Be sure to always wear suitable eye protection which conforms with current national standards.

**CAUTION:** Always use a suitable coolant (cutting oil) when cutting metal. Failure to do so will cause premature blade wear.

**CAUTION:** Do not quirk the blade during cutting.

► **Fig.13**

Press the shoe firmly against the workpiece. Do not allow the tool to bounce. Bring the recipro saw blade into light contact with the workpiece. First, make a pilot groove using a slower speed. Then use a faster speed to continue cutting.

► **Fig.14**

► **Fig.15**

You can use the switch lever or trigger according to your work.

**NOTE:** If the tool is operated continuously until the battery cartridge has discharged, allow the tool to rest for 15 minutes before proceeding with a fresh battery.

## MAINTENANCE

**CAUTION:** Always be sure that the tool is switched off and the battery cartridge is removed before attempting to perform inspection or maintenance.

**NOTICE:** Never use gasoline, benzine, thinner, alcohol or the like. Discoloration, deformation or cracks may result.

To maintain product SAFETY and RELIABILITY, repairs, any other maintenance or adjustment should be performed by Makita Authorized or Factory Service Centers, always using Makita replacement parts.

## OPTIONAL ACCESSORIES

**CAUTION:** These accessories or attachments are recommended for use with your Makita tool specified in this manual. The use of any other accessories or attachments might present a risk of injury to persons. Only use accessory or attachment for its stated purpose.

If you need any assistance for more details regarding these accessories, ask your local Makita Service Center.

- Recipro saw blades
- Jig saw blades (only for Model JR105D)
- Makita genuine battery and charger

**NOTE:** Some items in the list may be included in the tool package as standard accessories. They may differ from country to country.



## SPECIFIKATIONER

Modell:		JR103D	JR105D
Slaglängd		13 mm	
Slag per minut		0 - 3 300 min <sup>-1</sup>	
Max. sågkapacitet	Rör	50 mm	
	Trä	50 mm	
Märkspänning		10,8 V likström - 12 V max	
Total längd (beroende på batteriet)		376 - 386 mm	
Nettovikt		1,3 - 1,5 kg	

- På grund av vårt pågående program för forskning och utveckling kan dessa specifikationer ändras utan föregående meddelande.
- Specifikationer kan variera mellan olika länder.
- Vikten kan variera beroende på tillbehören, inklusive batterikassett. Den lättaste och den tyngsta kombinationen enligt EPTA-procedur 01/2014 visas i tabellen.

### Tillgänglig batterikassett och laddare

Batterikassett	BL1015 / BL1016 / BL1020B / BL1021B / BL1040B / BL1041B
Laddare	DC10SA / DC10SB / DC10WC / DC10WD / DC18RE

- Vissa av batterikassetterna och laddarna på listan ovan kanske inte finns tillgängliga i din region.

**⚠ VARNING: Använd endast batterikassetter och laddare från listan ovan.** Användning av andra batterikassetter och laddare kan orsaka personskada och/eller brand.

### Avsedd användning

Verktyget är avsett för sågning i trä, plast och järn.

### Buller

Den normala bullernivån för A-belastning är bestämd enligt EN62841-2-11:

#### Model JR103D

Ljudtrycksnivå ( $L_{pA}$ ): 78 dB (A)  
Måttolerans (K): 3 dB (A)

Bullernivån vid arbete kan överstiga 80 dB (A).

#### Model JR105D

Ljudtrycksnivå ( $L_{pA}$ ): 78 dB (A)  
Måttolerans (K): 3 dB (A)

Bullernivån vid arbete kan överstiga 80 dB (A).

**OBS:** Det deklarerade bullervärdet har uppmätts i enlighet med standardtestmetoden och kan användas för jämförandet av en maskin med en annan.

**OBS:** Det deklarerade bulleremissionsvärdet kan också användas i en preliminär bedömning av exponering för vibration.

**⚠ VARNING: Använd hörselskydd.**

**⚠ VARNING: Bulleremissionen under faktisk användning av maskinen kan skilja sig från det deklarerade värdet, beroende på hur maskinen används och särskilt vilken typ av arbetsstycke som behandlas.**

**⚠ VARNING: Var noga med att identifiera säkerhetsåtgärder för att skydda användaren, vilka är grundade på en uppskattning av graden av exponering för vibrationer under de faktiska användningsförhållandena, (ta, förutom avtryckartiden, med alla delar av användarcykeln i beräkningen, som till exempel tiden då maskinen är avstängd och när den går på tomgång).**

### Vibration

Det totala vibrationsvärdet (treaxlad vektorsumma) bestämt enligt EN62841-2-11:

#### Model JR103D

Arbetsläge: skivsågning  
Vibrationsemission ( $a_{h,B}$ ): 8,0 m/s<sup>2</sup>  
Måttolerans (K): 1,5 m/s<sup>2</sup>  
Arbetsläge: sågning av träbjälkar  
Vibrationsemission ( $a_{h,WB}$ ): 8,0 m/s<sup>2</sup>  
Måttolerans (K): 1,5 m/s<sup>2</sup>

#### Model JR105D

Arbetsläge: skivsågning  
Vibrationsemission ( $a_{h,B}$ ): 8,0 m/s<sup>2</sup>  
Måttolerans (K): 1,5 m/s<sup>2</sup>

Arbetsläge: sågning av träbjälkar  
Vibrationsemission ( $a_{h, WB}$ ) 8,0 m/s<sup>2</sup>  
Mättolerans (K): 1,5 m/s<sup>2</sup>

**OBS:** Det deklarerade totala vibrationsvärdet har uppmätts i enlighet med standardtestmetoden och kan användas för jämförandet av en maskin med en annan.

**OBS:** Det deklarerade totala vibrationsvärdet kan också användas i en preliminär bedömning av exponering för vibration.

**⚠ VARNING:** Vibrationsemissionen under faktisk användning av maskinen kan skilja sig från det deklarerade värdet, beroende på hur maskinen används och särskilt vilken typ av arbetsstycke som behandlas.

**⚠ VARNING:** Var noga med att identifiera säkerhetsåtgärder för att skydda användaren, vilka är grundade på en uppskattning av graden av exponering för vibrationer under de faktiska användningsförhållandena, (ta, förutom avtryckartiden, med alla delar av användarcykeln i beräkningen, som till exempel tiden då maskinen är avstängd och när den går på tomgång).

## EG-försäkran om överensstämmelse

Gäller endast inom EU

EG-försäkran om överensstämmelse inkluderas som bilaga A till denna bruksanvisning.

## Allmänna säkerhetsvarningar för maskiner

**⚠ VARNING:** Läs alla säkerhetsvarningar, anvisningar, illustrationer och specifikationer som medföljer det här maskinen. Underlåtenhet att följa instruktionerna kan leda till elstötar, brand och/eller allvarliga personskador.

## Spara alla varningar och instruktioner för framtida referens.

Termen "maskin" som anges i varningarna hänvisar till din eldrivna maskin (sladdansluten) eller batteridrivna maskin (sladdlös).

## Säkerhetsvarningar för sladdlös tigersåg

1. Håll maskinen i de isolerade handtagen om det finns risk för att skärverktyget kan komma i kontakt med en dold elkabel. Om skärverktyget kommer i kontakt med en "strömförande" ledning blir maskinens blottlagda metalldelar "strömförande" och kan ge operatören en elektrisk stöt.
2. Använd tvingar eller en annan praktisk metod för att säkra och stödja arbetsstycket på ett stabilt underlag. Att hålla arbetsstycket i händerna eller mot kroppen ger inte tillräckligt stöd och du kan förlora kontrollen.
3. Använd alltid skyddsglasögon. Vanliga glasögon och solglasögon är INTE skyddsglasögon.

4. Undvik att säga i spik. Ta bort alla spikar i arbetsstycket innan du säger.
5. Säga inte för stora arbetsstycken.
6. Kontrollera att det finns tillräckligt med fritt utrymme under arbetsstycket innan arbetet påbörjas så att sågbladet inte slår emot golvet, arbetsbänken etc.
7. Håll stadigt i maskinen.
8. Se till att sågbladet inte är i kontakt med arbetsstycket innan du trycker på avtryckaren.
9. Håll händerna borta från rörliga delar.
10. Lämna inte maskinen igång. Använd endast maskinen när du håller den i händerna.
11. Stäng av maskinen och vänta tills bladet stannat helt innan bladet avlägsnas från arbetsstycket.
12. Rör inte vid sågbladet eller arbetsstycket omedelbart efter avslutat arbete, eftersom de kan vara mycket heta och ge brännskador.
13. Använd inte maskinen obelastad i onödan.
14. Använd alltid andningsskydd eller skyddsmask anpassat för det material du arbetar med.
15. Vissa material kan innehålla giftiga kemikalier. Se till att du inte andas in damm eller får det på huden. Följ anvisningarna i leverantörens materialsäkerhetsblad.

## SPARA DESSA ANVISNINGAR.

**⚠ VARNING:** GLÖM INTE att också fortsättningsvis strikt följa säkerhetsanvisningarna för maskinen även efter att du blivit van att använda den. Vid FELAKTIG HANTERING av maskinen eller om inte säkerhetsanvisningarna i denna bruksanvisning följs kan följden bli allvarliga personskador.

## Viktiga säkerhetsanvisningar för batterikassetten

1. Innan batterikassetten används ska alla instruktioner och varningsmärken på (1) batteriladdaren, (2) batteriet och (3) produkten läsas.
2. Montera inte isär batterikassetten.
3. Om drifttiden blivit avsevärt kortare ska användningen avbrytas omedelbart. Det kan uppstå överhettning, brännskador och t o m en explosion.
4. Om du får elektrolyt i ögonen ska de sköljas med rent vatten och läkare uppsökas omedelbart. Det finns risk för att synen förloras.
5. Kortslut inte batterikassetten.
  - (1) Rör inte vid polerna med något strömförande material.
  - (2) Undvik att förvara batterikassetten tillsammans med andra metallobjekt som t.ex. spikar, mynt o.s.v.
  - (3) Skydda batteriet mot vatten och regn. En batterikortslutning kan orsaka ett stort strömflöde, överhettning, brand och maskinhaveri.

6. Förvara inte maskinen och batterikassetten på platser där temperaturen kan nå eller överstiga 50 °C.
7. Bränn inte upp batterikassetten även om den är svårt skadad eller helt utsliten. Batterikassetten kan explodera i öppen eld.
8. Var försiktig så att du inte råkar tappa batteriet och utsätt det inte för stötar.
9. Använd inte ett skadat batteri.
10. De medföljande litiumjonbatterierna är föremål för kraven i gällande lagstiftning för farligt gods.

För kommersiella transporter (av t.ex. tredje parter som speditorsfirmor) måste de särskilda transportkrav som anges på emballaget och etiketter iakttas.

För att förbereda den produkt som ska avsändas krävs att du konsulterar en expert på riskmaterial. Var också uppmärksam på att det i ditt land kan finnas ytterligare föreskrifter att följa.

Tejpa över eller maskera blottade kontakter och packa batteriet på sådant sätt att det inte kan röra sig fritt i förpackningen.

11. Följ lokala föreskrifter beträffande avfallshandling av batteriet.
12. Använd endast batterierna med de produkter som specificerats av Makita. Att använda batterierna med ej godkända produkter kan leda till brand, överdriven värme, explosion eller utläckande elektrolyt.

## SPARA DESSA ANVISNINGAR.

**⚠ FÖRSIKTIGT:** Använda endast äkta Makita-batterier. Användning av oäkta Makita-batterier eller batterier som har manipulerats kan leda till person- och utrustningsskador eller till att batteriet fattar eld. Det upphäver också Makitas garanti för verktyget och laddaren.

## Tips för att uppnå batteriets maximala livslängd

1. Ladda batterikassetten innan den är helt urladdad. Stanna alltid maskinen och ladda batterikassetten när du märker att maskinen blir svagare.
2. Ladda aldrig en fulladdad batterikassett. Överladdning förkortar batteriets livslängd.
3. Ladda batterikassetten vid en rumstemperatur på 10 °C - 40 °C. Låt en varm batterikassett svalna innan den laddas.

## FUNKTIONSBESKRIVNING

**⚠ FÖRSIKTIGT:** Se alltid till att maskinen är avstängd och batterikassetten borttagen innan du justerar maskinen eller kontrollerar dess funktioner.

### Montera eller demontera batterikassetten

**⚠ FÖRSIKTIGT:** Stäng alltid av maskinen innan du monterar eller tar bort batterikassetten.

**⚠ FÖRSIKTIGT:** Håll stadigt i maskinen och batterikassetten när du monterar eller tar bort batterikassetten. I annat fall kan det leda till att de glider ur dina händer och orsakar skada på maskinen och batterikassetten samt personskada.

► **Fig. 1:** 1. Röd indikator 2. Knapp 3. Batterikassett

Ta bort batterikassetten genom att skjuta ner knappen på kassetten framsida samtidigt som du drar ut batterikassetten.

Sätt in batterikassetten genom att rikta in tungan på batterikassetten mot spåret i höljets och skjut den på plats. Tryck in batterikassetten ordentligt till den låser fast med ett klick. Om du kan se den röda indikatorn på knappens ovansida är den inte låst ordentligt.

**⚠ FÖRSIKTIGT:** Sätt alltid in batterikassetten helt tills den röda indikatorn inte längre syns. I annat fall kan den oväntat falla ur maskinen och skada dig eller någon annan.

**⚠ FÖRSIKTIGT:** Montera inte batterikassetten med våld. Om kassetten inte lätt glider på plats är den felinsatt.

### Skyddssystem för batteri

Maskinen är utrustad med ett batteriskyddssystem. Detta system bryter automatiskt strömmen till motorn för att förlänga batteriets livslängd. Maskinen stoppas automatiskt under pågående användning om någon av följande situationer uppstår:

#### Överbelastning:

Maskinen används på ett sätt som gör att den förbrukar onormalt mycket ström.

När detta sker stänger du av maskinen och upphör med arbetet som gjorde att maskinen överbelastades. Starta därefter upp maskinen igen.

Om maskinen inte startar är batteriet överhettat. Låt då batteriet svalna innan du startar maskinen igen.

#### Batterispänningen faller:

Den kvarvarande batterikapaciteten är för låg och maskinen fungerar inte. Om du trycker in avtryckaren går motorn igång men stannar snart igen. I detta läge tar du bort batteriet och laddar det.

## Indikerar kvarvarande batterikapacitet

Endast för batterikassetter med indikator

► **Fig.2:** 1. Indikatorlampor 2. Kontrollknapp

Tryck på kontrollknappen på batterikassetten för att se kvarvarande batterikapacitet. Indikatorlamporna lyser i ett par sekunder.

Indikatorlampor		Återstående kapacitet
Upplyst	Av	
■ ■ ■ ■	□	75% till 100%
■ ■ ■ □	□	50% till 75%
■ ■ □ □	□ □	25% till 50%
■ □ □ □	□ □ □ □	0% till 25%

**OBS:** Beroende på användningsförhållanden och den omgivande temperaturen kan indikationen skilja sig lätt från den faktiska batterikapaciteten.

## Avtryckarens funktion

**⚠FÖRSIKTIGT:** Innan du monterar batterikassetten i maskinen ska du alltid kontrollera att avtryckaren (reglage/knapp) fungerar och återgår till läget "OFF" när du släpper den.

► **Fig.3:** 1. Säkerhetsknapp 2. Säkerhetsspärr 3. Avtryckare (reglage) 4. Avtryckare (knapp)

Säkerhetsspärren/-knappen förhindrar att avtryckaren (reglage/knapp) oavsiktligt aktiveras.

Tryck in avtryckaren, antingen reglaget eller knappen, för att starta maskinen.

- För avtryckare med reglage ska du först trycka in säkerhetsspärren och sedan reglaget för att starta maskinen.
- För avtryckare med knapp ska du först trycka in säkerhetsknappen och sedan knappen för att starta maskinen. Säkerhetsknappen kan tryckas in antingen från höger eller vänster sida.

Hastigheten ökar genom att du trycker hårdare på avtryckaren (reglage/knapp). Släpp avtryckaren (reglage/knapp) för att stanna maskinen.

**OBSERVERA:** Tryck aldrig in avtryckaren (reglage/knapp) hårt utan att ha tryckt in säkerhetsspärren/-knappen. Det kan skada avtryckaren.

## Tända frontlampan

**⚠FÖRSIKTIGT:** Titta inte in i ljuset eller direkt i ljuskällan.

► **Fig.4:** 1. Lampa

Tryck på avtryckaren (reglage/knapp) för att tända lampan. Lampan lyser medan du håller in avtryckaren (reglage/knapp). Lampan slocknar ungefär 10 sekunder efter att du har släppt avtryckaren (reglage eller knapp).

**OBS:** Använd en torr trasa för att torka bort smuts från lampglasat. Var försiktig så att inte lampglasat repas eftersom ljuset då kan bli svagare.

## Inställning av anslag

► **Fig.5:** 1. Insexnyckel 2. Sexkantsbult 3. Lossa

När en del av bladet blir slött justerar du anslaget för att använda en vass, oanvänd del av skärytan. Detta hjälper till att förlänga bladets livslängd.

För att justera anslaget ska du lossa bulten med insexnyckeln. Flytta anslaget till önskat läge och därefter dra åt bulten ordentligt.

## MONTERING

**⚠FÖRSIKTIGT:** Se alltid till att maskinen är avstängd och batterikassetten borttagen innan du underhåller maskinen.

## Montering eller demontering av sågblad för tiger-/sticksåg

**⚠FÖRSIKTIGT:** Rensa alltid bort sågspån och främmande partiklar som sitter i bladet och/feller runt bladklämman. I annat fall finns risk för att bladet inte sitter fast ordentligt, vilket kan resultera i allvarliga skador.

För modell JR103D

► **Fig.6:** 1. Sågblad för tigersåg 2. Bladklämmans hylsa

Skjut in sågbladet för tigersåg i bladklämman så långt det går. Bladklämmans hylsa roterar och låser fast sågbladet för tigersåg. Kontrollera att sågbladet för tigersåg inte lossar även om du drar in det.

**⚠FÖRSIKTIGT:** Om du inte skjuter in sågbladet för tigersåg helt kan sågbladet lossa oväntat under sågningen. Det kan vara extremt farligt.

**OBS:** Det går inte att använda sågbladet för sticksåg med JR103D.

► **Fig.7:** 1. Sågblad för tigersåg 2. Bladklämmans hylsa

När du ska ta ur sågbladet för tigersåg vrider du bladklämmans hylsa helt i pilens riktning. Sågbladet för tigersåg plockas ur och bladklämmans hylsa är låst i frigjort läge.

**OBS:** Om du tar bort sågbladet för tigersåg utan att ha roterat bladklämmans hylsa helt, kan det leda till att hylsan inte låses fast. Roterar i så fall bladklämmans hylsa helt för att låsa den i det frigjorda läget.

## För modell JR105D

► **Fig.8:** 1. Insexnyckel 2. Bult 3. Lossa 4. Dra åt

► **Fig.9:** 1. Sägblad för tigersåg 2. Insexnyckel 3. Hål för sågblad (tigersåg) 4. Bladklämma

Lossa bulten med insexnyckeln för att montera sågbladet för tiger-/sticksåg. Vid montering av ett sågblad för tigersåg ska du trycka på bulten med insexnyckeln för att öppna skåran när sågbladet sätts i.

► **Fig.10:** 1. Sågblad för tiger-/sticksåg 2. Bladklämma 3. Hål för sågblad (tigersåg) 4. Hål för sågblad (sticksåg)

► **Fig.11**

Det går att använda både sågblad för sticksåg (typ B) och sågblad för tigersåg beroende på ditt arbete. Sätt i sågbladet för tiger-/sticksåg rakt i bladklämman och dra åt den med insexnyckeln. Dra i sågbladet för tiger-/sticksåg försiktigt för att kontrollera att det inte ramlar ur under användning.

Gör på omvänt sätt för att ta bort sågbladet för tiger-/sticksåg.

## Förvaring av insexnyckel

► **Fig.12:** 1. Insexnyckel 2. Utskjutande del

Förvara insexnyckeln enligt figuren när den inte används så att du alltid har den till hands.

## ANVÄNDNING

**⚠FÖRSIKTIGT:** Tryck alltid anslaget mot arbetsstycket vid användning. Om anslaget tas bort eller hålles borta från arbetsstycket under användning kan starka vibrationer och/eller vridning uppstå, vilket leder till att bladet hugger på ett farligt sätt.

**⚠FÖRSIKTIGT:** Bär alltid handskar för att skydda dina händer från metallspån.

**⚠FÖRSIKTIGT:** Använd alltid skyddsglasögon enligt gällande föreskrifter.

**⚠FÖRSIKTIGT:** Använd alltid ett lämpligt kylmedel (skärolja) vid metallsågning. Utan kylning förlorar bladet skärpan i förtid.

**⚠FÖRSIKTIGT:** Rör inte bladet i sidled under sågning.

► **Fig.13**

Tryck anslaget ordentligt mot arbetsstycket. Maskinen får inte studsas. Låt sågbladet för tigersåg få lätt kontakt med arbetsstycket. Börja såga i låg hastighet. Fortsätt sedan såga i en snabbare hastighet.

► **Fig.14**

► **Fig.15**

Du kan använda avtryckaren (reglaget eller knappen) beroende på ditt arbete.

**OBS:** Om maskinen används löpande tills batteriet är tomt bör maskinen vila 15 minuter innan du fortsätter arbetet med ett laddat batteri.

## UNDERHÅLL

**⚠FÖRSIKTIGT:** Se alltid till att maskinen är avstängd och batterikassetten borttagen innan inspektion eller underhåll utförs.

**OBSERVERA:** Använd inte bensin, förtunningsmedel, alkohol eller liknande. Missfärgning, deformation eller sprickor kan uppstå.

För att upprätthålla produktens SÄKERHET och TILLFÖRLITLIGHET bör allt underhålls- och justeringsarbete utföras av ett auktoriserat Makita servicecenter och med reservdelar från Makita.

## VALFRIA TILLBEHÖR

**⚠FÖRSIKTIGT:** Följande tillbehör eller tillsatser rekommenderas för användning med den Makita-maskin som denna bruksanvisning avser. Om andra tillbehör eller tillsatser används kan det uppstå risk för personskador. Använd endast tillbehören eller tillsatserna för de syften de är avsedda för.

Kontakta ditt lokala Makita servicecenter om du behöver ytterligare information om dessa tillbehör.

- Sågblad för tigersåg
- Sågblad för sticksåg (endast för modell JR105D)
- Makitas originalbatteri och -laddare

**OBS:** Några av tillbehören i listan kan vara inkluderade i maskinpaketet som standardtillbehör. De kan variera mellan olika länder.

## TEKNISKE DATA

Modell:		JR103D	JR105D
Slaglengde		13 mm	
Slag per minutt		0 - 3 300 min <sup>-1</sup>	
Maks. skjæreegenskap	Rør	50 mm	
	Tre	50 mm	
Nominell spenning		DC 10,8 V - 12 V maks	
Total lengde (avhengig av batteriet)		376 - 386 mm	
Nettovekt		1,3 - 1,5 kg	

- På grunn av vårt kontinuerlige forsknings- og utviklingsprogram kan spesifikasjonene som oppgis i dette dokumentet endres uten varsel.
- Spesifikasjonene kan variere fra land til land.
- Vekten kan variere avhengig av tilbehøret/tilbehørene, inkludert batteriet. Den letteste og tyngste kombinasjonen, i henhold til EPTA-prosedyre 01/2014, vises i tabellen.

### Passende batteri og lader

Batteriinsats	BL1015 / BL1016 / BL1020B / BL1021B / BL1040B / BL1041B
Lader	DC10SA / DC10SB / DC10WC / DC10WD / DC18RE

- Noen av batteriene og laderne som er opplistet ovenfor er kanskje ikke tilgjengelige, avhengig av hvor du bor.

**⚠ ADVARSEL:** Bruk kun de batteriene og laderne som er opplistet ovenfor. Bruk av andre batterier og ladere kan føre til personskader og/eller brann.

### Riktig bruk

Maskinen er beregnet på saging i tre, plast og jernholdige materialer.

### Støy

Typisk A-vektet lydtrykknivå er bestemt i henhold til EN62841-2-11:

#### Modell JR103D

Lydtrykknivå ( $L_{pA}$ ): 78 dB (A)

Usikkerhet (K): 3 dB (A)

Støynivået under arbeid kan overskride 80 dB (A).

#### Modell JR105D

Lydtrykknivå ( $L_{pA}$ ): 78 dB (A)

Usikkerhet (K): 3 dB (A)

Støynivået under arbeid kan overskride 80 dB (A).

**MERK:** Den/de oppgitte verdien(e) for genererte vibrasjoner har blitt målt i henhold til standard testmetoder, og kan bli brukt til å sammenligne ett verktøy med et annet.

**MERK:** Den/de angitte verdien(e) for de genererte vibrasjonene kan også brukes til en foreløpig vurdering av eksponeringen.

**⚠ ADVARSEL:** Bruk hørselsvern.

**⚠ ADVARSEL:** De genererte vibrasjonene ved faktisk bruk av elektroverktøyet kan avvike fra den/de angitte vibrasjonsverdien(e), avhengig av hvordan verktøyet brukes.

**⚠ ADVARSEL:** Sørg for å identifisere vernetiltak for å beskytte operatøren, som er basert på et estimat av eksponeringen under de faktiske bruksforholdene (idet det tas hensyn til alle deler av driftssyklusen, dvs. hvor lenge verktøyet er slått av, hvor lenge det går på tomgang og hvor lenge startbryteren faktisk holdes trykket).

### Vibrasjoner

Den totale vibrasjonsverdien (triaksial vektorsum) bestemt i henhold EN62841-2-11:

#### Modell JR103D

Arbeidsmodus: Skjærebrett

Genererte vibrasjoner ( $a_{h,B}$ ): 8,0 m/s<sup>2</sup>

Usikkerhet (K): 1,5 m/s<sup>2</sup>

Arbeidsmodus: kutting av trebjelker

Genererte vibrasjoner ( $a_{h,WB}$ ): 8,0 m/s<sup>2</sup>

Usikkerhet (K): 1,5 m/s<sup>2</sup>

#### Modell JR105D

Arbeidsmodus: Skjærebrett

Genererte vibrasjoner ( $a_{h,B}$ ): 8,0 m/s<sup>2</sup>

Usikkerhet (K): 1,5 m/s<sup>2</sup>

Arbeidsmodus: kutting av trebjelker

Genererte vibrasjoner ( $a_{h,WB}$ ): 8,0 m/s<sup>2</sup>

Usikkerhet (K): 1,5 m/s<sup>2</sup>

**MERK:** Den/de oppgitte verdien(e) for totalt genererte vibrasjoner har blitt målt i henhold til standard testmetoder, og kan bli brukt til å sammenligne ett verktøy med et annet.

**MERK:** Den/de angitte verdien(e) for totalt genererte vibrasjoner kan også brukes til en foreløpig vurdering av eksponeringen.

**⚠ ADVARSEL:** De genererte vibrasjonene ved faktisk bruk av elektroverktøyet kan avvike fra den/de angitte vibrasjonsverdien(e), avhengig av hvordan verktøyet brukes og spesielt i forhold til arbeidsstykket som blir behandlet.

**⚠ ADVARSEL:** Sørg for å identifisere vernetiltak for å beskytte operatøren, som er basert på et estimat av eksponeringen under de faktiske bruksforholdene (idet det tas hensyn til alle deler av driftssyklusen, dvs. hvor lenge verktøyet er slått av, hvor lenge det går på tomgang og hvor lenge startbryteren faktisk holdes trykket).

## EFs samsvarserklæring

### Gjelder kun for land i Europa

EFs samsvarserklæring er lagt til som vedlegg A i denne bruksanvisningen.

## Generelle advarsler angående sikkerhet for elektroverktøy

**⚠ ADVARSEL:** Les alle sikkerhetsadvarsler, instruksjoner, illustrasjoner og spesifikasjoner som følger med dette elektroverktøyet. Hvis ikke alle instruksjonene nedenfor følges, kan det forekomme elektrisk støt, brann og/eller alvorlig skade.

## Oppbevar alle advarsler og instruksjoner for senere bruk.

Uttrykket «elektrisk verktøy» i advarslene refererer både til elektriske verktøy (med ledning) tilkoblet strømmettet, og batteridrevne verktøy (uten ledning).

## Sikkerhetsadvarsler for trådløs bajonettsg

1. **Hold maskinen i det isolerte håndtaket når skjæreverktøyet kan komme i kontakt med skjulte ledninger under arbeidet.** Hvis kuttetiltaket kommer i kontakt med «strømførende» ledninger, vil ikke isolerte metalldele av verktøyet bli strømførende og kan gi brukeren elektrisk støt.
2. **Bruk klemmer eller en annen praktisk måte å sikre og støtte arbeidsstykket på en stabil plattform.** Hvis du holder det med hånden eller mot kroppen, kan det være ustabil og føre til at du mister kontrollen.
3. **Du må alltid bruke vernebriller eller ansiktsvern.** Vanlige briller eller solbriller er **IKKE** vernebriller.
4. **Unngå å skjære i spiker.** Se etter om det er spiker i arbeidsstykket, og fjern dem før du begynner arbeidet.

5. **Ikke skjær for store arbeidsstykker.**
6. **Sjekk at det er plass nok bak arbeidsstykket før du begynner sagingen, så ikke bladet kommer til å treffe gulvet, arbeidsbenken e.l.**
7. **Hold godt fast i verktøyet.**
8. **Forviss deg om at bladet ikke er i kontakt med arbeidsstykket før du slår på startbryteren.**
9. **Hold hendene unna bevegelige deler.**
10. **Ikke gå fra verktøyet mens det er i gang.** Verktøyet må bare brukes mens operatøren holder det i hendene.
11. **Før du fjerner bladet fra arbeidsstykket, må du alltid slå av sagen og vente til bladet har stoppet helt.**
12. **Ikke ta i bladet eller arbeidsemnet rett etter saging.** De vil være ekstremt varme, og du kan brenne deg.
13. **Ikke bruk maskinen uten belastning hvis det ikke er nødvendig.**
14. **Bruk alltid riktig støvmaske/pustemaske for det materialet og det bruksområdet du arbeider med.**
15. **Enkelte materialer inneholder kjemikalier som kan være giftige.** Treff tiltak for å hindre hudkontakt og innånding av støv. Følg leverandørens sikkerhetsanvisninger.

## TA VARE PÅ DISSE INSTRUKSENE.

**⚠ ADVARSEL:** IKKE LA hensynet til hva som er "behagelig" eller det faktum at du kjenner produktet godt (etter mange gangers bruk) gjøre deg mindre oppmerksom på sikkerhetsreglene for bruken av det aktuelle produktet. Ved MISBRUK eller hvis ikke sikkerhetsreglene i denne bruksanvisningen følges, kan det oppstå alvorlig personskade.

## Viktige sikkerhetsanvisninger for batteriinnsetts

1. **Før du begynner å bruke batteriet, må du lese alle anvisninger og forsiktighetsregler på (1) batteriladeren, (2) batteriet og (3) det produktet batteriet skal brukes i.**
2. **Ikke ta fra hverandre batteriet.**
3. **Hvis driftstiden er blitt vesentlig kortere, må du omgående slutte å bruke maskinen.** Hvis ikke kan resultatet bli overoppheting, mulige forbrenninger eller til og med en eksplosjon.
4. **Hvis du får elektrolytt i øynene, må du skylle dem med store mengder rennende vann og oppsøke lege med én gang.** Denne typen uhell kan føre til varig blindhet.
5. **Ikke kortslutt batteriet:**
  - (1) **De kan være ekstremt varme og du kan brenne deg.**
  - (2) **Ikke lagre batteriet i samme beholder som andre metallgjenstander, som for eksempel spiker, mynter osv.**
  - (3) **Ikke la batteriet komme i kontakt med vann eller regn.**

En kortslutning av batteriet kan føre til et kraftig strømstøt, overoppvarming, mulige forbrenninger og til og med til at batteriet går i stykker.

- Ikke lagre maskinen og batteriet på steder hvor temperaturen kan komme opp i eller overskride 50 °C.
- Ikke sett fyr på batteriet, ikke engang om det er sterkt skadet eller helt utslitt. Batteriet kan eksplodere hvis det begynner å brenne.
- Vær forsiktig så du ikke mister batteriet eller utsetter det for slag.
- Ikke bruk batterier som er skadet.
- Lithium-ion-batteriene som medfølger er gjenstand for krav om spesialavfall. For kommersiell transport, f.eks. av tredjeparter eller speditører, må spesielle krav om pakking og merking følges. Før varen blir sendt, må du forhøre deg med en ekspert på farlig materiale. Ta også hensyn til muligheten for mer detaljerte nasjonale bestemmelser. Bruk teip eller maskeringsteip for å skjule åpne kontakter og pakk inn batteriet på en slik måte at den ikke kan bevege seg rundt i emballasjen.
- Følg lokale bestemmelser for avhengig av batterier.
- Bruk batteriene kun med produkter spesifisert av Makita. Montere batteriene i produkter som ikke er konforme kan føre til brann, overheting eller elektrolyttlekkasje.

## TA VARE PÅ DISSE INSTRUKSENE.

**⚠FORSIKTIG:** Bruk kun originale Makita-batterier. Bruk av batterier som har endret seg, eller som ikke er originale Makita-batterier, kan føre til at batteriet sprekker og forårsaker brann, personskader og andre skader. Det vil også ugyldiggjøre garantien for Makita-verktøyet og -laderen.

## Tips for å opprettholde maksimal batterilevetid

- Lad batteriinnsetsen før den er helt utladet. Stopp alltid driften av verktøyet og lad batteriinnsetsen når du merker at effekten reduseres.
- Lad aldri en batteriinnsets som er fulladet. Overopplading forkorter batteriets levetid.
- Lad batteriet i romtemperatur ved 10 °C - 40 °C. Et varmt batteri må kjøles ned før lading.

## FUNKSJONSBEKRIVELSE

**⚠FORSIKTIG:** Forviss deg alltid om at maskinen er slått av og batteriet tatt ut før du justerer maskinen eller kontrollerer dens mekaniske funksjoner.

## Sette inn eller ta ut batteri

**⚠FORSIKTIG:** Slå alltid av verktøyet før du setter inn eller fjerner batteriet.

**⚠FORSIKTIG:** Hold verktøyet og batteripatronen i et fast grep når du monterer eller fjerner batteripatronen. Hvis du ikke holder verktøyet og batteripatronen godt fast, kan du miste grepet, og dette kan føre til skader på verktøyet og batteripatronen samt personskader.

► **Fig. 1:** 1. Rød indikator 2. Knapp 3. Batteriinnsets

For å ta ut batteriet må du skyve på knappen foran på batteriet og trekke det ut.

Når du skal sette inn batteriet, må du plassere tungen på batteriet på linje med sporet i huset og skyve batteriet på plass. Skyv det helt inn til det går i inngrep med et lite klikk. Hvis du kan se den røde anviseren på oversiden av knappen, er det ikke fullstendig låst.

**⚠FORSIKTIG:** Batteriet må alltid settes helt inn, så langt at den røde anviseren ikke lenger er synlig. Hvis dette ikke gjøres, kan batteriet komme til å falle ut av maskinen og skade deg eller andre som oppholder seg i nærheten.

**⚠FORSIKTIG:** Ikke bruk makt når du setter i batteriet. Hvis batteriet ikke glir lett inn, er det fordi det ikke settes inn på riktig måte.

## Batteribeskyttelsessystem

Verktøyet er utstyrt med et batterivernssystem. Dette systemet slår automatisk av strømmen til motoren for å forlenge batteriets levetid.

Verktøyet stopper automatisk ved drift hvis det og/eller batteriet utsettes for en av følgende tilstander:

### Overbelastning:

Verktøyet brukes på en måte som gjør at det trekker uvanlig mye strøm. I dette tilfellet må du slå av verktøyet og avslutte bruken som forårsaket at verktøyet ble overbelastet. Slå deretter verktøyet på for å starte det igjen. Hvis verktøyet ikke starter, er batteriet overbelastet. I så fall må du la batteriet kjøle seg ned før du slår verktøyet på igjen.

### Lav batterispenning:

Gjenværende batterikapasitet er for lav og verktøyet vil ikke fungere. Når du starter verktøyet, starter motoren, men den stopper like etterpå. I dette tilfellet, fjern og lad batteriet opp igjen.



## Indikere gjenværende batterikapasitet

### Kun for batterier med indikatoren

► **Fig.2:** 1. Indikatorlamper 2. Kontrollknapp

Trykk på sjekk-knappen på batteriet for vise gjenværende batterikapasitet. Indikatorlampene lyser i et par sekunder.

Indikatorlamper		Gjenværende batterinivå
Tent	Av	
		75% til 100%
		50% til 75%
		25% til 50%
		0% til 25%

**MERK:** Det angitte nivået kan avvike noe fra den faktiske kapasiteten alt etter bruksforholdene og den omgivende temperaturen.

## Bryterfunksjon

**⚠FORSIKTIG:** Før du setter batteriet inn i maskinen, må du alltid kontrollere at startspaken/utløseren aktiverer maskinen på riktig måte og går tilbake til «AV»-stilling når den slippes.

► **Fig.3:** 1. AV-sperreknapp 2. AV-sperrehendel 3. Startspak 4. Startbryter

For å unngå at startspaken/utløseren trekkes i ved en feiltakelse, er maskinen utstyrt med en Av-sperreknapp. For å starte verktøyet, trekk enten i startspake eller utløser.

- For startspaken, trekk i Av-sperrespaken og trekk deretter i startspaken for å starte verktøyet.
- For startutløseren, løs opp Av-sperreknappen og trekk deretter i startutløseren for å starte verktøyet. Av-sperreknappen kan trykkes enten fra høyre eller venstre.

Verktøyhastigheten økes ved å øke trykket på startspaken/utløseren. Slipp startspake/utløser for å stoppe maskinen.

**OBS:** Trekk ikke hardt i startspaken/utløseren uten å trekke i Av-sperreknappen/spaken. Dette kan få bryteren til å brekke.

## Tenne frontlampen

**⚠FORSIKTIG:** Ikke se inn i lyset eller se direkte på lyskilden.

► **Fig.4:** 1. Lampe

Trekk i startspaken/utløseren for å tenne lampen. Lampen fortsetter å lyse så lenge startspaken/utløseren trekkes i. Lampen slukkes omtrent 10 sekunder etter at startbryteren/utløseren er sluppet.

**MERK:** Bruk en tørr klut til å tørke støv osv. av lampelinsen. Vær forsiktig så det ikke blir riper i lampelinsen, da dette kan redusere lysstyrken.

## Justere anleggsfoten

► **Fig.5:** 1. Sekskantnøkkel 2. Sekskantmutter 3. Løsne

Når sagbladet er blitt slitt på et område kan man endre plasseringen av anleggsfoten for å få tilgang til et nytt område på bladet med skarpe tenner. Dette forlenger bladets levetid.

For å endre posisjon på anleggsfoten må du løsne bolten med sekskantnøkkelen. Skyv anleggsfoten til ønsket posisjon, og stram deretter til bolten godt.

## MONTERING

**⚠FORSIKTIG:** Forviss deg alltid om at maskinen er slått av og batteriet tatt ut før du utfører noe arbeid på maskinen.

## Montere eller fjerne bajonett-/løvsagbladet

**⚠FORSIKTIG:** Pass alltid på å fjerne flis og fremmedlegemer som kleber til bladet og rundt bladklemmen. Hvis dette ikke gjøres, kan det bli vanskelig å stramme bladet ordentlig, noe som kan resultere i alvorlige helseskader.

### For modell JR103D

► **Fig.6:** 1. Bajonettsgagblad 2. Bladklemmemansjett

Sett bajonettsgagbladet så langt inn i bladklemmen som det vil gå. Bladklemmemansjetten roteres og bajonettsgagbladet festes. Sørg for at bajonettsgagbladet ikke kan trekkes ut selv om du bevisst forsøker å gjøre det.

**⚠FORSIKTIG:** Hvis du ikke setter bajonettsgagbladet dypt nok inn, kan det komme til å sprette ut helt uventet under saging. Dette kan være ekstremt farlig.

**MERK:** Løvsagbladet kan ikke brukes med JR103D.

► **Fig.7:** 1. Bajonettsgagblad 2. Bladklemmemansjett

For å ta av bajonettsgagbladet må du rotere bladklemmemansjetten fullstendig i pilens retning. Bajonettsgagbladet er tatt av og bladklemmemansjetten festet i frigjort posisjon.

**MERK:** Hvis du fjerner bajonettsgagbladet uten å dreie bladklemmemansjetten helt, vil mansjetten kanskje ikke festes. I så fall må du dreie bladklemmemansjetten helt, og så feste mansjetten i frigjort posisjon.

### For modell JR105D

► **Fig.8:** 1. Sekskantnøkkel 2. Skruer 3. Løsne  
4. Stramme

► **Fig.9:** 1. Bajonett-sagblad 2. Sekskantnøkkel 3. Hull  
for bajonett-sagbladet 4. Bladklemme

For å montere bajonett-/løvsagbladet, må du løsne boltene med en sekskantnøkkel. Når du monterer et bajonett-sagblad, trykker du på boltene med sekskantnøkkelen for å åpne sporet for å sette inn bladet.

► **Fig.10:** 1. Bajonett-/løvsagblad 2. Bladklemme  
3. Hull for bajonett-sagbladet 4. Hull for løvsagbladet

### ► Fig.11

Du kan bruke både løvsagblader (type B) og bajonett-sagblader som det passer til arbeidet ditt. Sett bajonett-/løvsagbladet rett inn i bladklemmen og stram til med sekskantnøkkelen. Dra lett i bajonett-/løvsagbladet for å sikre at det ikke vil falle av under drift. Fjern bajonett-/løvsagbladet ved å følge installeringsfremgangsmåten i motsatt rekkefølge.

## Oppbevare sekskantnøkkel

► **Fig.12:** 1. Sekskantnøkkel 2. Sperrehake

Når sekskantnøkkelen ikke er i bruk, må du oppbevare den som vist i figuren slik at du ikke mister den.

## BRUK

**⚠FORSIKTIG:** Under arbeidet må du alltid trykke anleggsfoten godt mot arbeidsstykket. Hvis anleggsfoten fjernes eller rettes vekk fra arbeidsstykket ved drift, oppstår det sterke vibrasjoner og/eller fordreininger. Dette kan føre til at bladet låser seg fast.

**⚠FORSIKTIG:** Bruk alltid hansker for å beskytte hendene dine mot varmt spon når du sager i metall.

**⚠FORSIKTIG:** Du må alltid bruke egnede vernebriller som samsvarer med aktuelle nasjonale standarder.

**⚠FORSIKTIG:** Når du sager i metall, må du alltid bruke et passende kjølemiddel (en passende sagolje). Hvis du ikke gjør det, vil bladet bli slitt før tiden.

**⚠FORSIKTIG:** Ikke vri bladet under skjæringen.

► **Fig.13**

Trykk anleggsfoten godt mot arbeidsstykket. Ikke la verktøyet hoppe. Sett bajonett-sagbladet forsiktig an mot arbeidsstykket. Lag først et styrespor med lavt turtall. Bruk deretter et høyere turtall til å fortsette sagingen.

► **Fig.14**

► **Fig.15**

Du kan bruke startspaken eller utløseren som det passer til arbeidet ditt.

**MERK:** Hvis verktøyet brukes kontinuerlig inntil batteriet er utladet, må du la verktøyet hvile i 15 minutter før du fortsetter med et nytt batteri.

## VEDLIKEHOLD

**⚠FORSIKTIG:** Forviss deg alltid om at maskinen er slått av og batteriet tatt ut før du foretar inspeksjon eller vedlikehold.

**OBS:** Aldri bruk gasolin, bensin, tynner alkohol eller lignende. Det kan føre til misfarging, deformering eller sprekkdannelse.

For å opprettholde produktets SIKKERHET og PALITELIGHET, må reparasjoner, vedlikehold og justeringer utføres av autoriserte Makita servicesentre eller fabrikksservicesentre, og det må alltid brukes reservedeler fra Makita.

## VALGFRITT TILBEHØR

**⚠FORSIKTIG:** Det anbefales at du bruker dette tilbehøret eller verktøyet sammen med den Makita-maskinen som er spesifisert i denne håndboken. Bruk av annet tilbehør eller verktøy kan forårsake personskader. Tilbehør og verktøy må kun brukes til det formålet det er beregnet på.

Ta kontakt med ditt lokale Makita-servicesenter hvis du trenger mer informasjon om dette tilbehøret.

- Bajonett-sagblader
- Løvsagblader (kun for modell JR105D)
- Makita originalbatteri og lader

**MERK:** Enkelte elementer i listen kan være inkludert som standardtilbehør i verktøypakken. Elementene kan variere fra land til land.

## TEKNISET TIEDOT

Malli:	JR103D	JR105D
Iskun pituus	13 mm	
Iskua minuutissa	0 - 3 300 min <sup>-1</sup>	
Suurin leikkauskapasiteetti	Putki	50 mm
	Puu	50 mm
Nimellisjännite	DC 10,8 V - 12 V maks.	
Kokonaispituus (akusta riippuen)	376 - 386 mm	
Nettopaino	1,3 - 1,5 kg	

- Jatkuvasta tutkimus- ja kehitystyöstämme johtuen esitetyt tekniset tiedot saattavat muuttua ilman erillistä ilmoitusta.
- Tekniset tiedot voivat vaihdella maittain.
- Paino voi olla erilainen lisävarusteista sekä akusta johtuen. EPTA-menettelytavan 01/2014 mukaisesti, taulukossa on kuvattu kevyin ja painavin laiteyhdistelmä.

## Käytettävä akkupaketti ja laturi

Akkupaketti	BL1015 / BL1016 / BL1020B / BL1021B / BL1040B / BL1041B
Laturi	DC10SA / DC10SB / DC10WC / DC10WD / DC18RE

- Tiettyjä yläpuolella kuvattuja akkuja ja latureita ei ehkä ole saatavana asuinalueestasi johtuen.

**VAROITUS:** Käytä vain edellä eriteltyjä akkupaketteja ja latureita. Muiden akkupakettien ja laturien käyttäminen voi aiheuttaa loukkaantumisen ja/tai tulipalon.

## Käyttötarkoitus

Työkalu on tarkoitettu puun, muovin ja metallien sahaamiseen.

## Melutaso

Tyypillinen A-painotettu melutaso määräytyy standardin EN62841-2-11 mukaan:

### Malli JR103D

Äänenpainetaso ( $L_{pA}$ ): 78 dB (A)

Virhemarginaali (K): 3 dB (A)

Työskentelyn aikana melutaso voi ylittää 80 dB (A).

### Malli JR105D

Äänenpainetaso ( $L_{pA}$ ): 78 dB (A)

Virhemarginaali (K): 3 dB (A)

Työskentelyn aikana melutaso voi ylittää 80 dB (A).

**HUOMAA:** Ilmoitettut melutasoarvot on mitattu standarditestausten mukaisesti ja niiden avulla voidaan vertailla työkaluja keskenään.

**HUOMAA:** Ilmoitettuja melutasoarvoja voidaan käyttää myös altistumisen alustavaan arviointiin.

**VAROITUS:** Käytä kuulosuojaimia.

**VAROITUS:** Sähkötyökalun käytön aikana mitattu melutasoarvo voi poiketa ilmoitetuista arvoista laitteen käyttötavan ja erityisesti käsiteltävän työkappaleen mukaan.

**VAROITUS:** Selvitä käyttäjän suojaamiseksi tarvittavat varotoimet todellisissa käyttöolosuhteissa tapahtuvan arvioidun altistumisen mukaisesti (ottaen huomioon käyttöjako kokonaisuudessaan, myös jaksot, joiden aikana laite on sammutettuna tai käy tyhjäkäynnillä).

## Tärinä

Kokonaistärinä (kolmen akselin vektorien summa) määräytyy standardin EN62841-2-11 mukaan:

### Malli JR103D

Työtila: levyjen sahaus

Tärinäpäästö ( $a_{h,B}$ ): 8,0 m/s<sup>2</sup>

Virhemarginaali (K): 1,5 m/s<sup>2</sup>

Työtila: puupalkkien sahaaminen

Tärinäpäästö ( $a_{h,WB}$ ) 8,0 m/s<sup>2</sup>

Virhemarginaali (K): 1,5 m/s<sup>2</sup>

### Malli JR105D

Työtila: levyjen sahaus

Tärinäpäästö ( $a_{h,B}$ ): 8,0 m/s<sup>2</sup>

Virhemarginaali (K): 1,5 m/s<sup>2</sup>

Työtila: puupalkkien sahaaminen

Tärinäpäästö ( $a_{h,WB}$ ) 8,0 m/s<sup>2</sup>

Virhemarginaali (K): 1,5 m/s<sup>2</sup>

**HUOMAA:** Ilmoitetut kokonaistärinäarvot on mitattu standarditestausmenetelmän mukaisesti ja niiden avulla voidaan vertailla työkaluja keskenään.

**HUOMAA:** Ilmoitettuja kokonaistärinäarvoja voidaan käyttää myös alistumisen alustavaan arviointiin.

**VAROITUS:** Sähkötyökalun käytön aikana mitattu todellinen tärinäpäästöarvo voi poiketa ilmoitetuista arvoista laitteen käyttötavan ja erityisesti käsiteltävän työkalupaleen mukaan.

**VAROITUS:** Selvitä käyttäjän suojaamiseksi tarvittavat varoimet todellisissa käyttöolosuhteissa tapahtuvan arvioidun alistumisen mukaisesti (ottaen huomioon käyttäjäksi kokonaisuudessaan, myös jaksot, joiden aikana laite on sammutettuna tai käy tyhjäkäynnillä).

## EY-vaatimustenmukaisuusvakuutus

### *Koskee vain Euroopan maita*

EY-vaatimustenmukaisuusvakuutus on liitetty tähän käyttöoppaaseen.

## Sähkötyökalujen käyttöä koskevat yleiset varoitukset

**VAROITUS:** Tutustu kaikkiin tämän sähkötyökalun mukana toimitettuihin varoituksiin, ohjeisiin, kuviin ja teknisiin tietoihin. Seuraavassa lueteltujen ohjeiden noudattamatta jättäminen saattaa johtaa sähköiskuun, tulipaloon tai vakavaan vammautumiseen.

## Säilytä varoitukset ja ohjeet tulevaa käyttöä varten.

Varoituksissa käytettävällä termillä "sähkötyökalu" tarkoitetaan joko verkkovirtaa käyttävää (johdollista) työkalua tai akkukäyttöistä (johdotonta) työkalua.

## Akkukäyttöisen puukkosahan turvaohjeet

1. Kun suoritat toimenpidettä, jossa leikkaustyökalu voi joutua kosketukseen piilossa olevien johtojen kanssa, pidä kiinni työkalusta sen eristetyn tarttumispinnan kohdalta. Jos leikkaustyökalu joutuu kosketukseen jännitteisen johdon kanssa, jännite voi siirtyä työkalun sähköä johtaviin metalliosiin ja aiheuttaa käyttäjälle sähköiskun.
2. Kiinnitä ja tue työkalupale tukevalle alustalle puristimilla tai muulla käytännöllisellä tavalla. Työn pitäminen kädessä tai vasten vartaloa tekee sen epävakaaaksi ja voi johtaa hallinnan menetykseen.
3. Käytä aina suojalaseja. Tavalliset silmä- tai aurinkolasit EIVÄT ole suojalaseja.
4. Vältä naulojen sahaamista. Tarkista, onko työkalupaleessa nauloja, ja poista ne ennen käyttöä.
5. Älä leikkaa ylisuuria työkalupaleita.

6. Tarkista ennen leikkaamista, että työkalupaleen takana on tarpeeksi tilaa, jotta terä ei osu lattiin, työpöytään tai vastaavaan.
7. Ota koneesta luja ote.
8. Varmista, että terä ei kosketa työkalupaletta, ennen kuin painat kytkintä.
9. Pidä kädet poissa liikkuvien osien luota.
10. Älä jätä konetta käymään itseksensä. Käytä laitetta vain silloin, kun pidät sitä kädessä.
11. Sammuta laite ja odota, että terä pysähtyy täysin, aina ennen kuin irrotat terän työkalupaleesta.
12. Älä kosketa terää tai työkalupaletta välittömästi käytön jälkeen, sillä ne voivat olla erittäin kuumia ja saattavat polttaa ihoa.
13. Älä käytä työkalua tarpeettomasti ilman kuormaa.
14. Käytä aina työstettävän materiaalin ja käyttö-tarkoituksen mukaan valittua polynaamaria/hengityssuojainta.
15. Jotkin materiaalit sisältävät kemikaaleja, jotka voivat olla myrkyllisiä. Huolehdi siitä, että pölyn sisäänhengittäminen ja ihoskosketus estetään. Noudata materiaalin toimittajan turvaohjeita.

## SÄILYTÄ NÄMÄ OHJEET.

**VAROITUS:** ÄLÄ anna työkalun helppokäyttöisyyden (toistuvan käytön aikaansaama) johtaa sinua vääriin turvallisuuden tunteeseen niin, että laiminlyöt työkalun turvaohjeiden noudattamisen. VÄÄRINKÄYTTÖ tai tässä käyttöohjeessa ilmoitettujen turvamääräysten laiminlyönti voi aiheuttaa vakavia henkilövahinkoja.

## Akkupakettia koskevia tärkeitä turvaohjeita

1. Ennen akun käyttöönottoa tutustu kaikkiin laturissa (1), akussa (2) ja akkukäyttöisessä tuotteessa (3) oleviin varoitusteksteihin.
2. Älä pura akkua.
3. Jos akun toiminta-aika lyhenee merkittävästi, lopeta akun käyttö. Seurauksena voi olla ylikuumeneminen, palovammoja tai jopa räjähdys.
4. Jos akkunestettä pääsee silmiin, huuhtele puhtaalla vedellä ja hakeudu välittömästi lääkärin hoitoon. Akkuneste voi aiheuttaa näön menetyksen.
5. Älä oikosulje akkua.
  - (1) Älä koske akun napoihin millään sähköä johtavalla materiaaliilla.
  - (2) Vältä akun oikosulkemista äläkä säilytä akkua yhdessä muiden metalliesineiden, kuten naulojen, kolikoiden ja niin edelleen kanssa.
  - (3) Älä aseta akkua alttiiksi vedelle tai sateelle.Oikosulku voi aiheuttaa virtapiikin, ylikuumentumista, palovammoja tai laitteen rikkoontumisen.

6. Älä säilytä työkalua ja akkua paikassa, jossa lämpötila voi nousta 50 °C:een tai sitäkin korkeammaksi.
7. Älä hävitä akkua polttamalla, vaikka se olisi pahoin vaurioitunut tai täysin loppuun kulunut. Avotuli voi aiheuttaa akun räjähtämisen.
8. Varo kolhimasta tai pudottamasta akkua.
9. Älä käytä viallista akkua.
10. Sisältyviä litium-ioni-akkuja koskevat vaarallisten aineiden lainsäädännön vaatimukset. Esimerkiksi kolmansien osapuolten huolintaliikkeiden tulee kaupallisissa kuljetuksissa noudattaa pakkaamista ja merkintöjä koskevia erityisvaatimuksia. Lähetettävän tuotteen valmistelu edellyttää vaarallisten aineiden asiantuntijan neuvontaa. Huomioi myös mahdollisesti yksityiskohtaisemmat kansalliset määräykset  
Akun avoimet liittimet tulee suojata teipillä tai suojuksella ja pakkaaminen tulee tehdä niin, ettei akku voi liikkua pakkauksessa.
11. Hävitä akku paikallisten määräysten mukaisesti.
12. Käytä akkuja vain Makitan ilmoittamien tuotteiden kanssa. Akkujen asentaminen yhteensopimattomiin tuotteisiin voi aiheuttaa tulipalon, liiallisen ylikuumentumisen, räjähdyksen tai akkunestevuotoja.

## SÄILYTÄ NÄMÄ OHJEET.

**▲HUOMIO:** Käytä vain alkuperäisiä Makita-akkuja. Muiden kuin aitojen Makita-akkujen, tai mahdollisesti muutettujen akkujen käyttö voi johtaa akun murtumiseen ja aiheuttaa tulipaloja, henkilö- ja omaisuusvahinkoja. Se mitätöi myös Makita-työkalun ja -laturin Makita-takuun.

## Vihjeitä akun käyttöiän pidentämiseksi

1. Lataa akku ennen kuin se purkautuu täysin. Lopeta aina työkalun käyttö ja lataa akku, jos huomaat työkalun tehon vähenevän.
2. Älä koskaan lataa uudestaan täysin ladattua akkua. Yliilataaminen lyhentää akun käyttöikää.
3. Lataa akku huoneen lämpötilassa välillä 10 °C - 40 °C. Anna kuumen akun jäähtyä ennen lataamista.

## TOIMINTOJEN KUVAUS

**▲HUOMIO:** Varmista aina ennen säätöjä ja tarkastuksia, että työkalu on sammutettu ja akkupaketti irrotettu.

## Akun asentaminen tai irrottaminen

**▲HUOMIO:** Sammuta työkalu aina ennen akun kiinnittämistä tai irrottamista.

**▲HUOMIO:** Pidä työkalusta ja akusta tiukasti kiinni, kun irrotat tai kiinnität akkua. Jos akkupaketti tai työkalu putoaa, ne voivat vaurioitua tai aiheuttaa tapaturman.

- **Kuva1:** 1. Punainen merkkivalo 2. Painike 3. Akkupaketti

Irrota akku painamalla akun etupuolella olevaa painiketta ja vetämällä akku ulos työkalusta.

Akku liitetään sovitamalla akun kieleke rungon uraan ja työntämällä se sitten paikoilleen. Työnnä akku pohjaan asti niin, että kuulet sen napsahtavan paikoilleen. Jos painikkeen yläpuolella näkyy punainen ilmaisin, akku ei ole lukkiutunut täysin paikoilleen.

**▲HUOMIO:** Työnnä akku aina pohjaan asti, niin että punainen ilmaisin ei enää näy. Jos akku ei ole kunnolla paikallaan, se voi pudota työkalusta ja aiheuttaa vammoja joko sinulle tai sivullisille.

**▲HUOMIO:** Älä käytä voimaa akun asennuksessa. Jos akku ei lii'u paikalleen helposti, se on väärässä asennossa.

## Akun suojausjärjestelmä

Työkalu on varustettu akun suojausjärjestelmällä. Tämä järjestelmä pidentää akun käyttöikää katkaisemalla moottorin virran automaattisesti.

Työkalu pysähtyy automaattisesti kesken käytön, jos työkalussa tai akussa ilmenee jokin seuraavista tilanteista:

### Ylikuormitus:

Työkalua käytetään tavalla, joka saa sen kuluttamaan epätavallisen paljon virtaa.

Katkaise tässä tilanteessa työkalusta virta ja lopeta ylikuormitustilan aiheuttanut käyttö. Käynnistä sitten työkalu uudelleen kytkemällä siihen virta.

Jos työkalu ei käynnisty, akku on ylikuumentunut. Anna tässä tilanteessa akun jäähtyä, ennen kuin kytket työkaluun virran uudelleen.

### Alhainen akun jännite:

Akun varaus on liian alhainen eikä riitä työkalun käyttämiseen. Jos kytket työkalun päälle, moottori alkaa toimia, mutta pysähtyy pian. Irrota tässä tilanteessa akku ja lataa se.

## Akun jäljellä olevan varaustason ilmaisin

Vain akkupaketeille ilmaisimella

► **Kuva2:** 1. Merkkivalot 2. Tarkistuspainike

Painamalla tarkistuspainiketta saat näkyviin akun jäljellä olevan varauksen. Merkkivalot palavat muutaman sekunnin ajan.

Merkkivalot		Akussa jäljellä olevan varaus
Palaa	Pois päältä	
■ ■ ■ ■	□	75% - 100%
■ ■ ■ □	□	50% - 75%
■ ■ □ □	□ □	25% - 50%
■ □ □ □	□ □ □ □	0% - 25%

**HUOMAA:** Ilmoitettu varaustaso voi erota hieman todellisesta varaustasosta sen mukaan, millaisissa oloissa ja missä lämpötilassa laitetta käytetään.

## Kytkimen käyttäminen

**▲HUOMIO:** Tarkista aina ennen akkupaketin kiinnittämistä työkaluun, että liipaisin- tai vipukytkin toimii oikein ja palaa ”OFF”-asentoon, kun se vapautetaan.

► **Kuva3:** 1. Lukon vapautuspainike 2. Lukon vapautusvipu 3. Vipukytkin 4. Liipaisinkytkin

Laitteessa on lukituksen vapautuspainike tai -vipu, joka estää liipaisin- tai vipukytkimen painamisen vahingossa. Käynnistä työkalu painamalla liipaisin- tai vipukytkintä.

- Jos kyseessä on vipukytkin, käynnistä työkalu painamalla ensin lukitusvipua ja sitten vipukytkintä.
- Jos kyseessä on liipaisinkytkin, käynnistä työkalu painamalla ensin lukituspainiketta ja sitten liipaisinkytkintä. Lukituksen vapautuspainiketta voidaan painaa vasemmalta tai oikealta puolelta.

Mitä voimakkaammin liipaisin- tai vipukytkintä tai painetaan, sitä nopeammin terä pyörii. Sammuta työkalu vapauttamalla vipu-/liipaisinkytkin.

**HUOMAUTUS:** Älä paina liipaisin- tai vipukytkintä voimakkaasti, ellet samalla paina lukituksen vapautusvipua. Kytkin voi rikkoutua.

## Etulampun sytyttäminen

**▲HUOMIO:** Älä katso suoraan lampuun tai valonlähteeseen.

► **Kuva4:** 1. Lamppu

Lamppu syttyy, kun painat liipaisin- tai vipukytkintä. Lamppu palaa niin kauan kuin liipaisin- tai vipukytkintä vedetään. Lamppu sammuu noin 10 sekunnin kuluttua liipaisin- tai vipukytkimen vapauttamisesta.

**HUOMAA:** Pyyhi lika pois linssistä kuivalla liinalla. Varo naarmuttamista linssiä, ettei valoteho laske.

## Olkahinnan säätäminen

► **Kuva5:** 1. Kuusioavain 2. Kuusiopultti 3. Löysää

Kun terän leikkausteho katoaa sen leikkaavan reunan yhdestä kohdasta, vaihda kengän asentoa, niin voit käyttää leikkaavan reunan terävää, käyttämätöntä osaa. Tämä auttaa pidentämään terän käyttöikää. Kun haluat muuttaa kengän asentoa, kierrä ruuvi löysälle kuusioavaimella. Työnnä kenkä haluamaasi asentoon ja kiristä ruuvi tiukasti.

## KOKOONPANO

**▲HUOMIO:** Varmista aina ennen mitään työkäluille tehtäviä toimenpiteitä, että se on sammutettu ja akku irrotettu.

## Puukko-/sahanterän asennus tai irrotus

**▲HUOMIO:** Puhdista aina terään ja/tai terän kiinnikkeeseen tarttuneet lastut tai vieraat aineet. Jos näin ei tehdä, terää ei ehkä voida kiristää tarpeeksi, mikä voi aiheuttaa vakavia vammoja.

**Mallille JR103D**

► **Kuva6:** 1. Puukkosahanterä 2. Terän kiinnitysholkki

Työnnä puukkosahanterä niin syväälle terän kiinnitysholkkiin, kuin se menee. Terän kiinnitysholkki lukitsee puukkosahanterän paikalleen, kun sitä käännetään. Varmista, ettei puukkosahanterä irtoa vedettäessä.

**▲HUOMIO:** Jos puukkosahanterää ei ole kiinnitetty tarpeeksi syväälle, se saattaa irrota yllättäen käytön aikana. Tämä voi olla hyvin vaarallista.

**HUOMAA:** Mallin JR103D yhteydessä ei voida käyttää lehtisahanterää.

► **Kuva7:** 1. Puukkosahanterä 2. Terän kiinnitysholkki

Irrota puukkosahanterä kääntämällä terän kiinnitysholkkia loppuun asti nuolen osoittamaan suuntaan. Puukkosahanterä irtaota ja terän kiinnitysholkki jää vapautettuun asentoon.

**HUOMAA:** Jos irrotat puukkosahanterän ilman, että kierät terän kiinnitysholkkia täysin, holkki ei kiinnity. Tässä tapauksessa kierrä terän kiinnitysholkki loppuun asti, ja kiinnitä holkki vapautettuun asentoon.

**Mallille JR105D**

► **Kuva8:** 1. Kuusioavain 2. Lankkuliitoskärki 3. Löysää 4. Kiristä

► **Kuva9:** 1. Puukkosahanterä 2. Kuusioavain 3. Reikä puukkosahanterälle 4. Terän kiinnike

Kun haluat asentaa puukko-/lehtisahanterän, löysää pultti kuusioavaimella. Kun asennat puukkosahanterän, avaa asennuskoloa asennuksen aikana painamalla pulttia kuusioavaimella.

- **Kuva10:** 1. Puukko-/lehtisahanterä 2. Terän kiinnike  
3. Reikä puukkosahanterälle 4. Reikä  
lehtisahanterälle

► **Kuva11**

Voit käyttää tarpeen mukaan joko lehtisahanteriä (tyyppi B) tai puukkosahanteriä. Työnnä puukko-/lehtisahanterä terän kiinnitysholkiin ja kiristä se paikalleen kuusioavaimella. Varmista, ettei puukko-/lehtisahanterä pääse irtomaan käytön aikana vetämällä terää kevyesti. Puukko-/lehtisahanterä irrotetaan päinvastaisessa järjestyksessä.

## Kuusioavaimen varastointi

- **Kuva12:** 1. Kuusioavain 2. Ulkonema

Säilytä kuusioavainta kuvan osoittamassa paikassa, ettei se pääse katoamaan.

## TYÖSKENTELY

**▲HUOMIO:** Paina kenkä aina tiukasti työkalupaletta vasten käytön aikana. Jos kenkä irrotetaan työkalupaleesta käytön aikana, terä värisee voimakkaasti ja/tai vääntyyille, jolloin terä napsahtaa poikki aiheuttaen vaaratilanteen.

**▲HUOMIO:** Suojaa kätesi kuumilta lentäviltä lastuilta pitämällä käsiäsi aina, kun leikkaat metallia.

**▲HUOMIO:** Käytä aina sopivia, voimassaolevat kansalliset normit täyttäviä suojalaseja.

**▲HUOMIO:** Käytä aina sopivaa jäähdytysainetta (leikkuuöljyä), kun leikkaat metallia. Muuten seurauksena on terän ennenaikainen kuluminen.

**▲HUOMIO:** Älä väännä terää sahaamisen aikana.

► **Kuva13**

Paina kenkä tiukasti työkalupaletta vasten. Älä anna työkalun pomppia. Anna puukkosahanterän koskettaa kevyesti työkalupaletta. Tee ensin ohjausura pienemmällä nopeudella. Jatka sitten sahaamista suuremmalla nopeudella.

► **Kuva14**

► **Kuva15**

Voit käyttää liipaisinkytkintä tai vipukytkintä tarpeen mukaan.

**HUOMAA:** Jos työkalua käytetään jatkuvasti niin pitkään, että akku tyhjenee, anna työkalun seistä 15 minuuttia ennen kuin jatkat työskentelyä uudella akulla.

## KUNNOSSAPITO

**▲HUOMIO:** Varmista aina ennen tarkastusta tai huoltoa, että työkalu on sammutettu ja akku irrotettu.

**HUOMAUTUS:** Älä koskaan käytä bensiiniä, ohenteita, alkoholia tai tms. aineita. Muutoin pinta voi halkeilla tai sen värit ja muoto voivat muuttua. Muutoin laitteeseen voi tulla värjäytyksiä, muodon vääristymiä tai halkeamia.

Tuotteen TURVALLISUUDEN ja LUOTETTAVUUDEN takaamiseksi korjaukset, muut huoltotyöt ja säädöt on teetettävä Makitan valtuutetussa huoltopisteessä Makitan varaosia käyttäen.

## LISÄVARUSTEET

**▲HUOMIO:** Seuraavia lisävarusteita tai laitteita suositellaan käytettäväksi tässä ohjeessa kuvatun Makita-työkalun kanssa. Muiden lisävarusteiden tai laitteiden käyttö voi aiheuttaa henkilövahinkoja. Käytä lisävarusteita ja -laitteita vain niiden käyttötarkoituksen mukaisesti.

Jos tarvitset apua tai yksityiskohtaisempia tietoja seuraavista lisävarusteista, ota yhteys paikalliseen Makitan huoltoon.

- Puukkosahanterät
- Lehtisahanterät (vain mallille JR105D)
- Aito Makitan akku ja laturi

**HUOMAA:** Jotkin luettelossa mainitut varusteet voivat sisältyä työkalun toimitukseen vakiovarusteina. Ne voivat vaihdella maittain.

## SPECIFIKĀCIJAS

Modelis:	JR103D	JR105D
Gājiena garums	13 mm	
Gājienu minūtē	0 - 3 300 min <sup>-1</sup>	
Maks. zāģēšanas jauda	Caurule	50 mm
	Koks	50 mm
Nominālais spriegums	10,8 V - 12 V maks. līdzstrāva	
Kopējais garums (atkarīgs no akumulatora)	376 - 386 mm	
Tīrsvars	1,3 - 1,5 kg	

- Nepārtrauktās izpētes un izstrādes programmas dēļ šeit uzrādītās specifikācijas var tikt mainītas bez brīdinājuma.
- Atkarībā no valsts specifikācijas var atšķirties.
- Svārs var būt atšķirīgs atkarībā no papildierīces(-ēm), tostarp akumulatora kasetnes. Tabulā ir attēlota vieglākā un smagākā kombinācija atbilstoši EPTA procedūrai 01/2014.

### Piemērotā akumulatora kasetne un lādētājs

Akumulatora kasetne	BL1015 / BL1016 / BL1020B / BL1021B / BL1040B / BL1041B
Lādētājs	DC10SA / DC10SB / DC10WC / DC10WD / DC18RE

- Daži no iepriekš norādītajiem lādētājiem un akumulatora kasetnēm var nebūt pieejami atkarībā no jūsu mītnes reģiona.

**▲BRĪDINĀJUMS:** Izmantojiet vienīgi iepriekš norādītās akumulatora kasetnes un lādētājus. Cita tipa akumulatora kasetņu un lādētāju izmantošana var radīt traumu un/vai aizdegšanās risku.

### Paredzētā lietošana

Šis darbarīks ir paredzēts koka, plastmasas un dzelzs materiālu zāģēšanai.

### Trokšņa līmenis

Tipiskais A svērtais trokšņa līmenis noteikts saskaņā ar EN62841-2-11:

#### Modelis JR103D

Skaņas spiediena līmeni ( $L_{pA}$ ): 78 dB (A)

Mainīgums (K): 3 dB (A)

Darbības laikā trokšņa līmenis var pārsniegt 80 dB (A).

#### Modelis JR105D

Skaņas spiediena līmeni ( $L_{pA}$ ): 78 dB (A)

Mainīgums (K): 3 dB (A)

Darbības laikā trokšņa līmenis var pārsniegt 80 dB (A).

**PIEZĪME:** Paziņotā trokšņa emisijas vērtība noteikta atbilstoši standarta pārbaudes metodei, un to var izmantot, lai salīdzinātu vienu darbarīku ar citu.

**PIEZĪME:** Paziņoto trokšņa emisijas vērtību arī var izmantot iedarbības sākotnējā novērtējumā.

**▲BRĪDINĀJUMS:** Lietojiet ausu aizsargus.

**▲BRĪDINĀJUMS:** Trokšņa emisija patiesos darba apstākļos var atšķirties no paziņotās vērtības atkarībā no darbarīka izmantošanas veida un jo īpaši atkarībā no apstrādājamā materiāla veida.

**▲BRĪDINĀJUMS:** Lai aizsargātu lietotāju, nosakiet drošības pasākumus, kas pamatoti ar iedarbību reālos darba apstākļos (ņemot vērā visus ekspluatācijas cikla posmus, piemēram, laiku, kamēr darbarīks ir izslēgts un kad darbojas tukšgaitā, kā arī palaides laiku).

### Vibrācija

Vibrācijas kopējā vērtība (trīsasu vektora summa) noteikta atbilstoši EN62841-2-11:

#### Modelis JR103D

Darba režīms: plātņu zāģēšana

Vibrācijas emisija ( $a_{h,B}$ ): 8,0 m/s<sup>2</sup>

Mainīgums (K): 1,5 m/s<sup>2</sup>

Darba režīms: koka baļķu zāģēšana

Vibrācijas emisija ( $a_{h,WB}$ ): 8,0 m/s<sup>2</sup>

Mainīgums (K): 1,5 m/s<sup>2</sup>

#### Modelis JR105D

Darba režīms: plātņu zāģēšana

Vibrācijas emisija ( $a_{h,B}$ ): 8,0 m/s<sup>2</sup>

Mainīgums (K): 1,5 m/s<sup>2</sup>

Darba režīms: koka baļķu zāģēšana

Vibrācijas emisija ( $a_{h,WB}$ ): 8,0 m/s<sup>2</sup>

Mainīgums (K): 1,5 m/s<sup>2</sup>



**PIEZĪME:** Paziņotā kopējā vibrācijas vērtība noteikta atbilstoši standarta pārbaudes metodei, un to var izmantot, lai salīdzinātu vienu darbarīku ar citu.

**PIEZĪME:** Paziņoto kopējo vibrācijas vērtību arī var izmantot iedarbības sākotnējā novērtējumā.

**▲BRĪDINĀJUMS:** Vibrācijas emisija patiesos darba apstākļos var atšķirties no paziņotās vērtības atkarībā no darbarīka izmantošanas veida un jo īpaši atkarībā no apstrādājamā materiāla veida.

**▲BRĪDINĀJUMS:** Lai aizsargātu lietotāju, nosakiet drošības pasākumus, kas pamatoti ar iedarbību reālos darba apstākļos (ņemot vērā visus ekspluatācijas cikla posmus, piemēram, laiku, kamēr darbarīks ir izslēgts un kad darbojas tukšgaitā, kā arī palaides laiku).

## EK atbilstības deklarācija

### Tikai Eiropas valstīm

EK atbilstības deklarācija šajā lietošanas rokasgrāmatā ir iekļauta kā A pielikums.

## Vispārīgi elektrisko darbarīku drošības brīdinājumi

**▲BRĪDINĀJUMS:** Izlasiet visus drošības brīdinājumus, instrukcijas, apskatiet ilustrācijas un tehniskos datus, kas iekļauti mehānizētā darbarīka komplektācijā. Ja netiek ievēroti visi tālāk minētie noteikumi, var tikt izraisīta elektrotrauma, notikt aizdegšanās un/vai rasties smagas traumas.

## Glabājiet visus brīdinājumus un norādījumus, lai varētu tajos ieskatīties turpmāk.

Termins „elektrisks darbarīks” brīdinājumos attiecas uz tādu elektrisko darbarīku, ko darbina ar elektrību (ar vadu), vai tādu, ko darbina ar akumulatoru (bez vada).

## Drošības brīdinājumi bezvadu zobenāģa lietošanai

1. Strādājot turiet mehānisko darbarīku aiz izolētajām satveršanas virsmām, ja griešanas darbarīks varētu saskarties ar neredzamu elektroinstalāciju. Griezējinstrumentam saskaroties ar vadu zem sprieguma, spriegums var tikt pārnests uz mehāniskā darbarīka metāla daļām, un, iespējams, radīt operatoram elektrotraumu.
2. Izmantojot skavas vai citā praktiskā veidā nostipriniet un atbalstiet apstrādājamo materiālu pret stabili platformu. Turot materiālu ar roku vai pie sava ķermeņa, tas ir nestabilā stāvoklī, un jūs varat zaudēt kontroli pār to.
3. Vienmēr lietojiet aizsargbrilles. Parastās brilles vai saulesbrilles NAV aizsargbrilles.
4. Negrieziet naglas. Pirms sākt darbu pārbaudiet, vai apstrādājamajā materiālā nav naglas, un tās izņemiet.
5. Negrieziet pārāk lielu apstrādājamo materiālu.

6. Pirms griešanas pārbaudiet, vai starp apstrādājamo materiālu ir pietiekams attālums, lai asmens nepieskartos grīdai, darbāgaldam u.c.
7. Darbarīku turiet cieši.
8. Pirms slēdža ieslēgšanas pārliecinieties, vai asmens nepieskaras apstrādājamajam materiālam.
9. Netuviniet rokas kustīgajām daļām.
10. Neatstājiet darbarīku ieslēgtu. Darbiniet darbarīku vienīgi tad, ja turat to rokās.
11. Pirms asmens izņemšanas no apstrādājamā materiāla vienmēr izslēdziet darbarīku un pagaidiet, kamēr asmens pilnībā apstājas.
12. Nepieskarieties asmenim vai apstrādājamajam materiālam tūlīt pēc darba veikšanas; tie var būt ļoti karsti un var apdedzināt ādu.
13. Lieki nedarbiniet darbarīku bez slodzes.
14. Vienmēr izmantojiet materiālam un konkrētam gadījumam piemērotu putekļu masku/respiratoru.
15. Daži materiāli satur ķīmiskas vielas, kuras var būt toksiskas. Izvairieties no putekļu ieelpošanas un to nokļūšanas uz ādas. Ievērojiet materiāla piegādātāja drošības datus.

## SAGLABĀJIET ŠOS NORĀDĪJUMUS.

**▲BRĪDINĀJUMS:** NEPIEĻAUJIET to, ka labu iemaņu vai izstrādājuma labas pārzināšanas (darbarīku atkārtoti ekspluatējot) rezultātā vairs stingri neievērojat šīs izstrādājuma drošības noteikumus. NEPAREIZI LIETOJOT darbarīku vai neievērojot šajā instrukciju rokasgrāmatā minētos drošības noteikumus, var tikt gūtas smagas traumas.

## Svarīgi drošības norādījumi par akumulatora kasetni

1. Pirms akumulatora lietošanas izlasiet visus norādījumus un brīdinājumus, kuri attiecas uz (1) akumulatora lādētāju, (2) akumulatoru un (3) ierīci, kurā tiek izmantots akumulators.
2. Neizjauciet akumulatoru.
3. Ja akumulatora darbības laiks kļūva ievērojami īsāks, nekavējoties pārtrauciet to izmantot. Citādi, tas var izraisīt pārkarsējumu, uzliesmojumu vai pat sprādzienu.
4. Ja elektrolīts nonāk acīs, izskalojiet tās ar tīru ūdens un nekavējoties griezties pie ārsta. Tas var izraisīt redzes zaudēšanu.
5. Neradiet īssavienojumu akumulatora kasetnē:
  - (1) Nepieskarieties spailēm ar elektrību vadošiem materiāliem.
  - (2) Neuzglabājiet akumulatoru kasetni kopā ar citiem metāla priekšmetiem, tādiem kā naglas, monētas u. c.
  - (3) Nepakļaujiet akumulatora kasetni ūdens vai lietus iedarbībai.Akumulatora īssavienojums var radīt spēcīgu strāvas plūsmu, pārkaršanu, uzliesmojumu un pat sabojāt akumulatoru.

6. Neglabājiet darbarīku un akumulatora kasetni vietās, kur temperatūra var sasniegt vai pārsniegt 50 °C (122 °F).
7. Nededziniet akumulatora kasetni, pat ja tā ir stipri bojāta vai pilnībā nolietota. Akumulatora kasetne ugunī var eksplodēt.
8. Uzmaniēties, lai neļautu akumulatoram nokrist un nepakļautu to sitienam.
9. Neizmantojiet bojātu akumulatoru.
10. Uz izmantotajiem litija jonu akumulatoriem attiecas likumdošanas prasības par bīstamiem izstrādājumiem.

Komerציālā transportēšanā, ko veic, piemēram, trešās puses, transporta uzņēmumi, jāievēro uz iesaņojuma un marķējuma norādītās īpašās prasības.

Lai izstrādājumu sagatavotu nosūtīšanai, jāsaziņās ar bīstamo materiālu speciālistu. Ievērojiet arī citus attiecināmos valsts normatīvus.

Vajļeļus kontaktus nosedziet ar līmlenti vai citādi pārkļāļiet, bet akumulatoru iesaiņojiet tā, lai saņņit tas nevarētu izkustēties.

11. Ievērojiet vietējos noteikumus par akumulatora likvidēšanu.
12. Izmantojiet šos akumulatorus tikai ar izstrādājumiem, kurus norādījis Makita. Ievietojot šos akumulatorus nesaderīgos izstrādājumos, var rasties ugunsgrēks, pārmērīgs karstums, tie var uzsprāgt vai no tiem var izteciēt elektrolīti.

## SAGLABĀJIET ŠOS NORĀDĪJUMUS.

**⚠UZMANĪBU:** Lietojiet tikai oriģinālos Makita akumulatorus. Ja lietojat neoriģinālus Makita akumulatorus vai pārveidotus akumulatorus, tie var uzsprāgt un izraisīt aizdegšanos, traumas un materiālos zaudējumus. Tīks anulēta arī Makita darbarīka un lādētāja garantija.

## Ieteikumi akumulatora kalpošanas laika pagarināšanai

1. Uzlādējiet akumulatora kasetni, pirms tā ir pilnībā izlādējusies. Vienmēr, kad ievērojat, ka darbarīka darba jauda zudusi, apturiet darbarīku un uzlādējiet akumulatora kasetni.
2. Nekad neuzlādējiet pilnībā uzlādētu akumulatora kasetni. Pārmērīga uzlāde saīsina akumulatora kalpošanas laiku.
3. Uzlādējiet akumulatora kasetni istabas temperatūrā 10 °C - 40 °C. Karstai akumulatora kasetnei pirms uzlādes ļaujiet atdzist.

## FUNKCIJU APRAKSTS

**⚠UZMANĪBU:** Pirms darbarīka regulēšanas vai tā darbības pārbaudes vienmēr pārliecinieties, ka darbarīks ir izslēgts un akumulatora kasetne ir izņemta.

## Akumulatora kasetnes uzstādīšana un izņemšana

**⚠UZMANĪBU:** Vienmēr pirms akumulatora kasetnes uzstādīšanas vai noņemšanas izslēdziet darbarīku.

**⚠UZMANĪBU:** Uzstādot vai izņemot akumulatora kasetni, darbarīku un akumulatora kasetni turiet cieši. Ja darbarīku un akumulatora kasetni netur cieši, tie var izkrist no rokām un radīt bojājumus darbarīkam un akumulatora kasetnei, kā arī izraisīt ievainojumus.

- **Att. 1:** 1. Sarkanās krāsas indikators 2. Poga 3. Akumulatora kasetne

Lai izņemtu akumulatora kasetni, izvelciet to no darbarīka, pārbīdot kasetnes priekšpusē esošo pogu.

Lai uzstādītu akumulatora kasetni, salāgojiet mēlīti uz akumulatora kasetnes ar rienu ietvarā un iebīdīet to vietā. Ievietojiet to līdz galam, līdz tā ar klikšķi nofiksējas. Ja pogas augšējā daļā redzams sarkanās krāsas indikators, tas nozīmē, ka tā nav pilnīgi fiksēta.

**⚠UZMANĪBU:** Vienmēr ievietojiet akumulatora kasetni tā, lai sarkanais indikators nebūtu redzams. Pretējā gadījumā tā var nejauši izkrist no darbarīka un izraisīt jums vai apkārtējiem traumas.

**⚠UZMANĪBU:** Neievietojiet akumulatora kasetni ar spēku. Ja kasetne neslīd ietvarā viegli, tā nav pareizi ielikta.

## Akumulatora aizsardzības sistēma

Darbarīks ir aprīkots ar akumulatora aizsardzības sistēmu. Št sistēma automātiski izslēdz jaudas padevi motoram, lai pagarinātu akumulatora kalpošanas laiku. Darbarīks automātiski pārstās darboties ekspluatācijas laikā, ja darbarīku un/vai akumulatoru pakļaus kādam no tālāk minētajiem apstākļiem:

### Pārslodze:

Darbarīku ekspluatācijas laikā lieto tādā veidā, ka tas saista pārmērīgu strāvu.

Šādā gadījumā izslēdziet darbarīku un pārtrauciet darbarīka pārslodzi izraisījušo darbu. Tad ieslēdziet darbarīku, lai atsāktu darbu.

Ja darbarīks neieslēdzas, akumulators ir pārkarsis.

Šādā gadījumā ļaujiet akumulatoram atdzist pirms atkārtotas darbarīka ieslēgšanas.

### Zema akumulatora jauda:

Akumulatora uzlādes līmenis ir pārāk zems, un darbarīks nedarbosies. Ja ieslēgsit darbarīku, motors vēlreiz sāks darboties, taču drīz apstāsies. Šādā gadījumā noņemiet akumulatoru un uzlādējiet.

## Atlikušās akumulatora jaudas indikators

Tikai akumulatora kasetnēm ar indikatoru

► **Att.2:** 1. Indikatora lampas 2. Pārbaudes poga

Nospiediet akumulatora kasetnes pārbaudes pogu, lai pārbaudītu akumulatora atlikušo uzlādes līmeni. Indikatoru iedegsies uz dažām sekundēm.

Indikatora lampas		Atlikusī jauda
lededzies	izslēgts	
		No 75% līdz 100%
		No 50% līdz 75%
		No 25% līdz 50%
		No 0% līdz 25%

**PIEZĪME:** Reālā jauda var nedaudz atšķirties no norādītās atkarībā no lietošanas apstākļiem un apkārtējās temperatūras.

## Slēdža darbība

**UZMANĪBU:** Pirms akumulatora kasetnes uzstādīšanas darbarīkā, vienmēr pārbaudiet, vai slēdža svira/mēlīte darbojas pareizi un pēc atlaišanas atgriežas stāvoklī „OFF” (izslēgts).

► **Att.3:** 1. Atbloķēšanas poga 2. Atbloķēšanas svira 3. Slēdža svira 4. Slēdža mēlīte

Lai nepieļautu slēdža sviras/mēlītes nejaušu pavilkšanu, darbarīks ir aprīkots ar atbloķēšanas sviru/pogu. Lai iedarbinātu darbarīku, spiediet slēdža sviru vai mēlīti.

- Slēdža svirai vispirms pavelciet atbloķēšanas sviru un pēc tam nospiediet slēdža sviru, lai iedarbinātu darbarīku.
- Slēdža mēlītei vispirms nospiediet atbloķēšanas pogu un pēc tam nospiediet slēdža mēlīti, lai iedarbinātu darbarīku. Atbloķēšanas pogu var nospriest gan no labās, gan kreisās puses.

Darbarīka ātrums pieaug, palielinoties spiedienam uz slēdža sviras/mēlītes. Lai apturētu darbarīku, atlaidiet slēdža sviru/mēlīti.

**IEVĒRĪBAI:** Nespiediet slēdža sviru/mēlīti ar spēku, nenospiežot atbloķēšanas sviru/pogu. Rezultātā var tikt sabojāts slēdzis.

## Priekšējās lampas ieslēgšana

**UZMANĪBU:** Neskatieties gaismā, neļaujiet tās avotam iespīdēt acis.

► **Att.4:** 1. Lampa

Pavelciet slēdža sviru/mēlīti, lai ieslēgtu lampu. Kamēr slēdža svira/mēlīte ir nospiesta, lampiņa ir iedegta. Apmēram 10 sekundes pēc slēdža mēlītes atlaišanas lampiņa izslēdzas.

**PIEZĪME:** Ar sausu lupatiņu notīriet netīrumus no lampas lēcas. Izvairieties saskrāpēt lampas lēcu, jo tādējādi tiek samazināts apgaismojums.

## Slieces noregulēšana

► **Att.5:** 1. Sešstūru uzgriežņu atslēga 2. Sešstūru skrūve 3. Atlaišana

Kad asmens vienā vietā visā zāģēšanas malas garumā zaudē griešanas efektivitāti, nomainiet slieces stāvokli tā, lai lietotu aso, neizmantoto zāģēšanas malas daļu. Tādējādi paildzināsiet asmens ekspluatācijas laiku. Lai pārvietotu slieci, ar sešstūru atslēgu atskrūvējiet skrūvi. Pavirziet slieci vajadzīgajā stāvoklī un cieši pieskrūvējiet skrūvi.

## MONTĀŽA

**UZMANĪBU:** Pirms darbarīka regulēšanas vai apkopes vienmēr pārliecinieties, ka darbarīks ir izslēgts un akumulatora kasetne ir izņemta.

## Bezvadu zobenzāģa/finierzāģa asmens uzstādīšana vai noņemšana

**UZMANĪBU:** Vienmēr notīriet visas skaidas vai svešķermeņus, kas pielipuši asmenim un/vai asmens skavai. Ja tā nerīkosities, asmens var nebūt pietiekami cieši nostiprināts, izraisot smagu traumu.

**Modelim JR103D**

► **Att.6:** 1. Zobenzāģa asmens 2. Asmens fiksatora uzmava

Ievietojiet zobenzāģa asmeni asmens fiksatorā līdz galam. Asmens fiksatora uzmavai griežoties, zobenzāģa asmens tiek fiksēts. Pārliecinieties, ka zobenzāģa asmeni nav iespējams izvilkēt, pat ja to mēģināt darīt.

**UZMANĪBU:** Ja neievietosiet zobenzāģa asmeni pietiekami dziļi, darba laikā tas var negaidīti izkrist. Tas var būt ļoti bīstami.

**PIEZĪME:** Kopā ar JR103D nevar izmantot finierzāģi.

► **Att.7:** 1. Zobenzāģa asmens 2. Asmens fiksatora uzmava

Lai izņemtu zobenzāģa asmeni, pagrieziet asmens fiksatora uzmavu bultiņas virzienā līdz galam, uzmava var nebūt nofiksēta. Šajā gadījumā pagrieziet asmens fiksatora uzmavu līdz galam, tad to atvienotā stāvoklī.

**PIEZĪME:** Ja izņemsiet zobenzāģa asmeni, nepagriezot asmens fiksatora uzmavu līdz galam, uzmava var nebūt nofiksēta. Šajā gadījumā pagrieziet asmens fiksatora uzmavu līdz galam, tad to atvienotā stāvoklī nofiksējiet.

## Modelim JR105D

- **Att.8:** 1. Sešstūru uzgriežņu atslēga 2. Skrūve  
3. Atlaišana 4. Pievilkšana
- **Att.9:** 1. Zobenzāga asmens 2. Sešstūru uzgriežņu atslēga 3. Zobenzāga asmens atvere  
4. Asmens fiksators

Lai uzstādītu zobenzāga/finierzāga asmeni, ar sešstūru uzgriežņu atslēgu atskrūvējiet skrūvi. Uzstādot zobenzāga asmeni, ar sešstūru uzgriežņu atslēgu piespiediet skrūvi, lai atvērtu atveri, ievietojot asmeni.

- **Att.10:** 1. Zobenzāga/finierzāga asmens 2. Asmens fiksators 3. Zobenzāga asmens atvere  
4. Finierzāga asmens atvere

### ► Att.11

Atbilstīgi darbam var izmantot gan finierzāga (B tipa), gan zobenzāga asmeni. Ievietojiet zobenzāga/finierzāga asmeni tieši asmens spailē un pieskrūvējiet ar sešstūru uzgriežņu atslēgu. Viegli pavelciet zobenzāga/finierzāga asmeni, lai pārbaudītu, vai tas ekspluatācijas laikā nenokrītis. Lai noņemtu zobenzāga/finierzāga asmeni, izpildiet iepriekš aprakstītās uzstādīšanas darbības pretējā secībā.

## Sešstūru uzgriežņu atslēgas glabāšana

- **Att.12:** 1. Sešstūru uzgriežņu atslēga  
2. Izvirzīšanās

Kad sešstūru uzgriežņu atslēga netiek lietota, glabājiet to, kā parādīts zīmējumā, lai to nepazaudētu.

## EKSPLUATĀCIJA

**UZMANĪBU:** Slieci darba laikā vienmēr stingri piespiediet apstrādājamam materiālam. Ja ekspluatācijas laikā slieci noņemsit vai neturēsiet pie apstrādājamā materiāla, radīsies spēcīga vibrācija un/vai izliekšanās, kā rezultātā asmens bīstami salūzīs.

**UZMANĪBU:** Zāģējot metālu, vienmēr valkājiet cimdus, lai aizsargātu rokas no karstām, atlecošām skaidām.

**UZMANĪBU:** Obligāti izmantojiet piemērotus acu aizsarglīdzekļus saskaņā ar pašreiz spēkā esošajiem nosacījumiem.

**UZMANĪBU:** Zāģējot metālu, vienmēr lietojiet piemērotu dzesēšanas šķidrums (zāģēšanas eļļu). Ja tā nerīkosieties, asmens priekšlaicīgi nolietosies.

**UZMANĪBU:** Zāģēšanas laikā nekustiniet asmeni.

### ► Att.13

Piespiediet slieci cieši pie apstrādājamā materiāla. Nepieļaujiet, ka darbarīks atlec. Viegli pielieciet zobenzāga asmeni pie apstrādājamā materiāla. Vispirms ar mazāku ātrumu izzāģējiet sākotnējo rievu. Tad turpiniet zāģēt ar lielāku ātrumu.

### ► Att.14

### ► Att.15

Atbilstīgi darbam iespējams izmantot slēdža sviru vai mēlīti.

**PIEZĪME:** Ja darbarīks tiek darbināts nepārtraukti, līdz akumulatora kasetne ir izlādējusies, pirms turpināt darbu ar jaunu akumulatoru, izslēdziet darbarīku uz 15 minūtēm.

## APKOPE

**UZMANĪBU:** Pirms darbarīka pārbaudes vai apkopes vienmēr pārliecinieties, ka darbarīks ir izslēgts un akumulatora kasetne ir izņemta.

**IEVĒRĪBAI:** Nekad neizmantojiet gazoliņu, benzīnu, atšķaidītāju, spirtu vai līdzīgus šķidrums. Tas var radīt izbalēšanu, deformāciju vai plaisas.

Lai saglabātu izstrādājuma DROŠU un UZTICAMU darbību, remontdarbus, apkopi un regulēšanu uzticiet veikt tikai Makita pilnvarotam vai rūpnīcas apkopes centram, un vienmēr izmantojiet tikai Makita rezerves daļas.

## PAPILDU PIEDERUMI

**UZMANĪBU:** Šādi piederumi un papildierīces tiek ieteiktas lietošanai ar šajā rokasgrāmatā aprakstīto Makita darbarīku. Izmantojot citus piederumus vai papildierīces, var tikt radīta trauma gūšanas bīstamība. Piederumu vai papildierīci izmantojiet tikai paredzētajam mērķim.

Ja jums vajadzīga palīdzība vai precīzāka informācija par šiem piederumiem, vērsieties savā tuvākajā Makita apkopes centrā.

- Zobenzāga asmeņi
- Finierzāga asmeņi (tikai modelim JR105D)
- Makita oriģinālais akumulators un lādētājs

**PIEZĪME:** Daži sarakstā norādītie izstrādājumi var būt iekļauti instrumenta komplektācijā kā standarta piederumi. Tie dažādās valstīs var būt atšķirīgi.

## SPECIFIKACIJOS

Modelis:		JR103D	JR105D
Smūgio ilgis		13 mm	
Smūgių per minutę		0 - 3 300 min <sup>-1</sup>	
Maks. pjovimo galia	Vamzdis	50 mm	
	Medis	50 mm	
Vardinė įtampa		Nuol. sr. 10,8 V - 12 V (daugiausiai)	
Bendrasis ilgis (priklausomai nuo akumulatoriaus)		376 - 386 mm	
Grynasis svoris		1,3 - 1,5 kg	

- Atlikame tęsinius tyrimus ir nuolatos tobuliname savo gaminius, todėl čia pateikiamos specifikacijos gali būti keičiamos be įspėjimo.
- Skirtingose šalyse specifikacijos gali skirtis.
- Svoris gali priklausyti nuo priedo (-ų), įskaitant akumulatoriaus kasetę. Lengviausias ir sunkiausias deriniai pagal EPTA 2014 m. sausio mėn. procedūrą yra parodyti lentelėje.

## Tinkama akumulatoriaus kasetė ir (arba) įkroviklis

Akumulatoriaus kasetė	BL1015 / BL1016 / BL1020B / BL1021B / BL1040B / BL1041B
Įkroviklis	DC10SA / DC10SB / DC10WC / DC10WD / DC18RE

- Atsižvelgiant į gyvenamosios vietos regioną, kai kurios pirmiau nurodytos akumulatoriaus kasetės ir įkrovikliai gali būti neprieinami.

**⚠️ ĮSPĖJIMAS:** Naudokite tik akumulatoriaus kasetes ir įkroviklius, kurie nurodyti anksčiau. Naudojant bet kurias kitas akumulatoriaus kasetes ir įkroviklius, gali kilti sužeidimo ir gaisro pavojus.

## Numatytoji naudojimo paskirtis

Įrankis skirtas medienai, plastmasei ir geležiai pjauti.

## Triukšmas

Įprastas triukšmo A lygis, nustatytas pagal EN62841-2-11:

**Modelis JR103D**

Garso slėgio lygis ( $L_{pA}$ ): 78 dB (A)

Paklaida (K): 3 dB (A)

Dirbant triukšmo lygis gali viršyti 80 dB (A).

**Modelis JR105D**

Garso slėgio lygis ( $L_{pA}$ ): 78 dB (A)

Paklaida (K): 3 dB (A)

Dirbant triukšmo lygis gali viršyti 80 dB (A).

**PASTABA:** Paskelbta (-os) triukšmo reikšmė (-ės) nustatyta (-os) pagal standartinį testavimo metodą ir jį galima naudoti vienam įrankiui palyginti su kitu.

**PASTABA:** Paskelbta (-os) triukšmo reikšmė (-ės) taip pat gali būti naudojama (-os) norint preliminariai įvertinti triukšmo poveikį.

**⚠️ ĮSPĖJIMAS:** Dėvėkite ausų apsaugą.

**⚠️ ĮSPĖJIMAS:** Faktiškai naudojant elektrinį įrankį, keliamo triukšmo dydis gali skirtis nuo paskelbtos (-ų) reikšmės (-ių), priklausomai nuo būdų, kuriais yra naudojamas šis įrankis, ir ypač nuo to, kokio tipo ruošinys apdirbamas.

**⚠️ ĮSPĖJIMAS:** Siekdami apsaugoti operatorių, būtinai įvertinkite saugos priemones, remdamiės vibracijos poveikio įvertinimu esant faktinėms naudojimo sąlygoms (atsižvelgdami į visas darbo ciklo dalis, pavyzdžiui, ne tik kiek laiko įrankis veikia, bet ir kiek kartų jis yra išjungiamas bei kai jis veikia be apkravų).

## Vibracija

Vibracijos bendroji vertė (trიაšio vektoriaus suma) nustatyta pagal EN62841-2-11 standartą:

**Modelis JR103D**

Darbo režimas: lentų pjovimas

Vibracijos emisija ( $a_{h,B}$ ): 8,0 m/s<sup>2</sup>

Paklaida (K): 1,5 m/s<sup>2</sup>

Darbo režimas: medinių sijų pjovimas

Vibracijos emisija ( $a_{h,WB}$ ): 8,0 m/s<sup>2</sup>

Paklaida (K): 1,5 m/s<sup>2</sup>

**Modelis JR105D**

Darbo režimas: lentų pjovimas

Vibracijos emisija ( $a_{h,B}$ ): 8,0 m/s<sup>2</sup>

Paklaida (K): 1,5 m/s<sup>2</sup>

Darbo režimas: medinių sijų pjovimas

Vibracijos emisija ( $a_{h,WB}$ ) 8,0 m/s<sup>2</sup>

Paklaida (K): 1,5 m/s<sup>2</sup>

**PASTABA:** Paskelbta (-os) vibracijos bendroji (-osios) reikšmė (-ės) nustatyta (-os) pagal standartinį testavimo metodą ir jį galima naudoti vienam įrankiui palyginti su kitu.

**PASTABA:** Paskelbta (-os) vibracijos bendroji (-osios) reikšmė (-ės) taip pat gali būti naudojama (-os) norint preliminariai įvertinti vibracijos poveikį.

**⚠️ JSPĖJIMAS:** Faktiškai naudojant elektrinį įrankį, keliamos vibracijos dydis gali skirtis nuo paskelbtos (-ų) reikšmės (-ių), priklausomai nuo būdų, kuriais yra naudojamas šis įrankis, ir ypač nuo to, kokio tipo ruošinys apdirbamas.

**⚠️ JSPĖJIMAS:** Siekdami apsaugoti operatorių, būtina įvertinkite saugos priemones, remdamiesi vibracijos poveikio įvertinimu esant faktinėms naudojimo sąlygoms (atsižvelgdami į visas darbo ciklo dalis, pavyzdžiui, ne tik kiek laiko įrankis veikia, bet ir kiek kartų jis yra išjungiamas bei kai jis veikia be apkravų).

## EB atitikties deklaracija

### Tik Europos šalims

EB atitikties deklaracija yra pridama kaip šio instrukcijų vadovo A priedas.

## Bendrieji įspėjimai dirbant elektriniais įrankiais

**⚠️ JSPĖJIMAS:** Perskaitykite visus saugos įspėjimus, instrukcijas, iliustracijas ir techninius duomenis, pateiktus kartu su šiuo elektriniu įrankiu. Nesilaikant visų toliau išvardytų instrukcijų galima patirti elektros smūgį, gali kilti gaisras ir (arba) galima sunkiai susižaloti.

## Išsaugokite visus įspėjimus ir instrukcijas, kad galėtumėte jas peržiūrėti ateityje.

Terminas „elektrinis įrankis“ pateiktuose įspėjimuose reiškia į maitinimo tinklą jungiamą (laidinį) elektrinį įrankį arba akumuliatoriaus maitinamą (belaidį) elektrinį įrankį.

## Įspėjimai dėl akumuliatorinio siaurapjūklės saugos

1. **Atlikdami darbus, kurių metu pjovimo dalys gali paliesti paslėptus laidus, laikykite elektrinį įrankį tik už izoliuotų, laikyti skirtų paviršių.** Pjovimo antgaliai prisilietus prie laido, kuriuo teka elektros srovė, neizoliuotos metalinės elektrinio įrankio dalys gali sukelti elektros smūgį ir nutrenkti operatorių.
2. **Ruošinį ant stabilios platformos tvirtinkite spaustuvais arba kitais parankiais būdais.** Laikant ruošinį rankomis arba prispaudus prie kūno, jis yra nestabilus, todėl galite prarasti jo kontrolę.

3. **Būtinai naudokite apsauginius akinius.** Įprastiniai akiniai ar akiniai nuo saulės **NĖRA** apsauginiai akiniai.
4. **Nepjunkite vinių.** Prieš dirbdami apžiūrėkite, ar ruošinyje nėra vinių, ir jas išimkite.
5. **Nepjunkite didelių matmenų ruošinio.**
6. **Prieš pjaudami patikrinkite, ar tarpas po ruošiniu yra pakankamas, kad asmenys neįpjautų grindų, darbatalio ir pan.**
7. **Tvirtai laikykite įrenginį.**
8. **Prieš įjungdami jungiklį, patikrinkite, ar diskas neliečia ruošinio.**
9. **Žiūrėkite, kad rankos būtų kuo toliau nuo judamųjų dalių.**
10. **Nepalikite veikiančio įrankio.** Naudokite įrankį tik laikydami rankomis.
11. **Prieš išimdami geležtę iš ruošinio, būtinai išjunkite ir palaukite, kol ji visiškai sustos.**
12. **Nelieskite peilio arba ruošinio iškart po naudojimo; jie gali būti itin karšti ir nudeginti odą.**
13. **Be reikalo nenaudokite įrankio be apkravos.**
14. **Atsižvelgdami į apdirbamą medžiagą ir darbo pobūdį, būtinai užsidėkite kaukę, saugančią nuo dulkių / respiratorių.**
15. **Kai kuriose medžiagose esama cheminių medžiagų, kurios gali būti nuodingos. Saugokitės, kad neįkvėptumėte dulkių ir nesi-liestumėte oda. Laikykitės medžiagų tiekėjo saugos duomenų.**

## SAUGOKITE ŠIAS INSTRUKCIJAS.

**⚠️ JSPĖJIMAS:** NELEISKITE, kad patogumas ir gaminio pažinimas (gyjamas pakartotinai naudojant) susilpnintų griežtą saugos taisyklių, taikytinų šiam gaminiui, laikymąsi. Dėl NETINKAMO NAUDOJIMO arba saugos taisyklių, kurios pateiktos šioje instrukcijoje, nesilaikymo galima rimtai susižeisti.

## Svarbios saugos instrukcijos, taikomos akumuliatoriaus kasetei

1. **Prieš naudodami akumuliatoriaus kasetę, perskaitykite visas instrukcijas ir perspėjimus ant (1) akumuliatorių įkroviklio, (2) akumuliatorių ir (3) akumuliatorių naudojančio gaminio.**
2. **Neardykite akumuliatoriaus kasetės.**
3. **Jei įrankio darbo laikas žymiai sutrumpėjo, nedelsdami nutraukite darbą su įrankiu.** Tai gali kelti perkaitimo, nudegimų ar net sprogdimo pavojų.
4. **Jei elektrrolitas pateko į akis, plaukite jas tyru vandeniu ir nedelsdami kreipkitės į gydytoją.** Gali kilti regėjimo praradimo pavojus.
5. **Neužtrumpinkite akumuliatoriaus kasetės:**
  - (1) Nelieskite kontaktų degiomis medžiagomis.
  - (2) Venkite laikyti akumuliatoriaus kasetę kartu su kitais metaliniais daiktais, pavyzdžiui, vinimis, monetomis ir pan.
  - (3) Saugokite akumuliatoriaus kasetę nuo vandens ir lietaus.

Trumpasis jungimas akumuliatoriuje gali sukelti stiprią srovę, perkaitimą, galimus nudegimus ar net akumuliatoriaus gedimą.

6. Nelaikykite įrankio ir akumuliatoriaus kasetės vietose, kur temperatūra gali pasiekti ar viršyti 50 °C.
7. Nedeginkite akumuliatoriaus kasetės, net jei yra stipriai pažeista ar visiškai susidėvėjusi. Ugnyje akumuliatoriaus kasetė gali sprogti.
8. Saugokite akumuliatorių nuo kritimo ir smūgių.
9. Nenaudokite pažeisto akumuliatoriaus.
10. Įdėtomis ličio jonų akumuliatoriams taikomi Pavojingų prekių teisės akto reikalavimai. Komeracinis transportas, pvz., trečiųjų šalių, prekių vežimo atstovų, turi laikytis specialaus reikalavimo ant pakuotės ir ženklavimo. Norėdami paruošti siųstiną prekę, pasitarkite su pavojingų medžiagų specialistu. Be to, laikytis galimai išsamesnių nacionalinių reglamentų. Užklijuokite juosta arba padenkite atvirus kontaktus ir supakuokite akumuliatorių taip, kad ji pakuotėje nejudėtų.
11. Vadovaukitės vietos įstatymais dėl akumuliatorių išmetimo.
12. Baterijas naudokite tik su „Makita“ nurodytais gaminiais. Baterijas įdėjus į netinkamus gaminius gali kilti gaisras, gaminyje pernelyg kaisti, kilti sprogdymas arba pratekėti elektrolitas.

## SAUGOKITE ŠIAS INSTRUKCIJAS.

**▲PERSPĖJIMAS:** Naudokite tik originalų „Makita“ akumuliatorių. Neoriginalaus „Makita“ arba pakeisto akumuliatoriaus naudojimas gali nulemti gaisrą, asmens sužalojimą ir pažeidimą. Tai taip pat panaikina „Makita“ suteikiamą „Makita“ įrankio ir įkroviklio garantiją.

## Patarimai, ką daryti, kad akumuliatorius veiktų kuo ilgiau

1. Pakraukite akumuliatoriaus kasetę prieš jai visiškai išsikraunant. Visuomet nustokite naudoti įrankį ir pakraukite akumuliatoriaus kasetę, kai pastebite, kad įrankio galia sumažėjo.
2. Niekada nekraukite iki galo įkrautos akumuliatoriaus kasetės. Perkraunant trumpėja akumuliatoriaus eksploatacijos laikas.
3. Akumuliatoriaus kasetę kraukite esant kambario temperatūrai 10 - 40 °C. Prieš pradėdami krauti, leiskite įkaitusiai akumuliatoriaus kasetei atvėsti.

## VEIKIMO APRAŠYMAS

**▲PERSPĖJIMAS:** Prieš pradėdami reguliuoti arba tikrinti įrankio veikimą, visuomet būtinai išjunkite įrankį ir išimkite akumuliatoriaus kasetę.

## Akumuliatoriaus kasetės uždėjimas ir nuėmimas

**▲PERSPĖJIMAS:** Prieš įdėdami arba išimdami akumuliatoriaus kasetę, visada išjunkite įrankį.

**▲PERSPĖJIMAS:** Įdėdami arba išimdami akumuliatoriaus kasetę, tvirtai laikykite įrankį ir akumuliatoriaus kasetę. Jeigu įrankį ir akumuliatoriaus kasetę laikysite netvirtai, jie gali išslysti iš jūsų rankų, todėl įrankis ir akumuliatoriaus kasetė gali būti sugadinti, o naudotojas sužalotas.

- **Pav.1:** 1. Raudonas indikatorius 2. Mygtukas 3. Akumuliatoriaus kasetė

Jei norite išimti akumuliatoriaus kasetę, ištraukite ją iš įrankio, stumdami mygtuką, esantį kasetės priekyje.

Jei norite įdėti akumuliatoriaus kasetę, sulygiuokite liežuvelį ant akumuliatoriaus kasetės su grioveliu korpuso ir įstumkite į jai skirtą vietą. Įdėkite iki galo, kol spragtelėdama užsifiksuos. Jeigu matote raudoną indikatorius viršutinėje mygtuko pusėje, ji nėra visiškai užfiksuota.

**▲PERSPĖJIMAS:** Akumuliatoriaus kasetę visada įkiškite iki galo, kol nebamatsite raudono indikatorius. Priešingu atveju ji gali atsitiktinai iškristi iš įrankio, sužeisti jus arba aplinkinius.

**▲PERSPĖJIMAS:** Nekiškite akumuliatoriaus kasetės jėga. Jeigu kasetė sunkiai lenda, ją kišate netinkamai.

## Akumuliatoriaus apsaugos sistema

Įrankyje įrengta akumuliatoriaus apsaugos sistema. Ši sistema automatiškai atjungia variklio maitinimą, kad pailgėtų akumuliatoriaus naudojimo laikas. Įrankis automatiškai išsijungs darbo metu, esant vienai iš šių įrankio ir (arba) akumuliatoriaus darbo sąlygų:

### Perkrautas:

Įrankis naudojamas taip, kad jame neįprastai padidėja elektros srovė.

Tokiu atveju atleiskite įrankio gaiduką ir nutraukite darbą, dėl kurio kilo įrankio perkrova. Po to vėl įjunkite įrankį.

Jeigu įrankis neįsijungia, reiškia perkaito akumuliatorius. Tokiu atveju palaukite, kol akumuliatorius atvės, paskui vėl galite įjungti įrankį.

### Žema akumuliatoriaus įtampa:









Likęs akumuliatoriaus įkrovos lygis per žemas, todėl įrankis neveiks. Įjungus įrankį, variklis pradeda veikti, bet netrukus vėl išsijungia. Tokiu atveju išimkite akumuliatorių ir jį įkraukite.

## Likusios akumulatoriaus galios rodymas

### Tik akumulatoriaus kasetėms su indikatoriumi

► **Pav.2:** 1. Indikatorijų lemputės 2. Tikrinimo mygtukas

Paspauskite akumulatoriaus kasetės tikrinimo mygtuką, kad būtų rodoma likusi akumulatoriaus energija. Maždaug trims sekundėms užsidegs indikatorijų lemputės.

Indikatorijų lemputės		Likusi galia
Šviečia	Nešviečia	
		75% - 100%
		50% - 75%
		25% - 50%
		0% - 25%

**PASTABA:** Rodmuo gali šiek tiek skirtis nuo faktinės energijos lygio – tai priklauso nuo naudojimo sąlygų ir aplinkos temperatūros.

## Jungiklio veikimas

**▲PERSPĖJIMAS:** Prieš įdėdami akumulatoriaus kasetę į įrankį, visuomet patikrinkite, ar svirtinis jungiklis / gaidukas gerai veikia, o atleistas grįžta į išjungimo padėtį „OFF“.

► **Pav.3:** 1. Atlaisvinimo mygtukas 2. Atlaisvinimo svirtelė 3. Svirtinis jungiklis 4. Gaidukas

Kad svirtinis jungiklis / gaidukas nebūtų atsitiktinai nuspaustas, yra atlaisvinimo svirtelė / mygtukas. Norėdami paleisti įrankį, paspauskite svirtinį jungiklį arba gaiduką.

- Jeigu įrengtas svirtinis jungiklis, norėdami įjungti įrankį, patraukite atlaisvinimo svirtelę, po to patraukite svirtinį jungiklį.
- Jeigu įrengtas gaidukas, norėdami įjungti įrankį, nuspauskite atlaisvinimo mygtuką, po to patraukite gaiduką. Atlaisvinimo mygtuką galima nuspausti iš kairės arba dešinės pusės.

Įrankio greitis didėja stipriau spaudžiant svirtinį jungiklį / gaiduką. Norėdami sustabdyti, atleiskite svirtinį jungiklį / gaiduką.

**PASTABA:** Negalima stipriai spausti svirtinio jungiklio / gaiduko, nenuspaudus atlaisvinimo svirtelės / mygtuko. Taip galima sugadinti jungiklį.

## Priekinės lemputės uždegimas

**▲PERSPĖJIMAS:** Nežiūrėkite tiesiai į šviesą arba šviesos šaltinį.

► **Pav.4:** 1. Lemputė

Paspauskite svirtinį jungiklį / gaiduką lemputei uždegti. Lemputė degs tol, kol bus nuspaustas svirtinis jungiklis / gaidukas. Atleidus jungiklio svirtelę / gaiduką, lemputė užgesa maždaug po 10 sekundžių.

**PASTABA:** Purvą nuo lemos objektyvo nuvalykite sausu skudurėliu. Būkite atsargūs, kad nesubraižytumėte lemos objektyvo, nes pablogės apšvietimas.

## Atraminės plokštės reguliavimas

► **Pav.5:** 1. Šešiakampis veržliaraktis 2. Šešiakampis varžtas 3. Atlaisvintai

Kai ašmenys atšimpa vienoje vietoje išlगाai pjaunamojo krašto, atraminę plokštę reikia perstumti taip, kad būtų pjaunama aštria, dar nenaudota pjaunamojo krašto dalimi. Šitaip ašmenimis bus galima naudotis kur kas ilgiau.

Norėdami pakeisti pado padėtį, atsukite varžtą šešiakampi veržliaraktiu. Pastumkite padą į norimą padėtį, tada vėl tvirtai užveržkite varžtą.

## SURINKIMAS

**▲PERSPĖJIMAS:** Prieš darydami ką nors įrankiui visada patikrinkite, ar įrenginys išjungtas, o akumulatorių kasetė – nuimta.

## Siaurapjūklio / metalo pjūklelio ašmenų montavimas arba nuėmimas

**▲PERSPĖJIMAS:** Visuomet nuvalykite visas prie pjūklė ir aplink pjūklė veržtuvą prilipusias drožles arba medžiagos gabalėlius. Jeigu nevalysite, pjūklas gali atsilaisvinti ir sužeisti jus.

### Modeliui JR103D

► **Pav.6:** 1. Siaurapjūklio ašmenys 2. Ašmenų veržtuvo mova

Iki galo įkiškite tiesinio siaurapjūklio ašmenis į ašmenų veržtuvą. Ašmenų veržtuvo mova pasisuka ir užfiksuoja siaurapjūklio ašmenis. Pabandykite ištraukti siaurapjūklio ašmenis, kad įsitikintumėte, jog jų negalima ištraukti.

**▲PERSPĖJIMAS:** Jeigu siaurapjūklio ašmenis įkiškite nepakankamai giliai, pjaunant jie gali netikėtai išsitraukti. Tai itin pavojinga.

**PASTABA:** Modelyje JR103D metalo pjūklelio ašmenų naudoti negalima.

► **Pav.7:** 1. Siaurapjūklio ašmenys 2. Ašmenų veržtuvo mova

Norėdami ištraukti siaurapjūklio ašmenis, iki galo pasukite ašmenų veržtuvo movą rodyklės kryptimi. Siaurapjūklio ašmenys ištraukti, o ašmenų veržtuvo mova užfiksuota atlaisvintoje padėtyje.

**PASTABA:** Jeigu bandysite ištraukti siaurapjūklio ašmenis iki galo nepadarydami ašmenų veržtuvo movos, mova nebus užfiksuota. Tokiu atveju, iki galo pasukite ašmenų veržtuvo movą, tada užfiksuokite ją atlaisvintoje padėtyje.



## Modeliui JR105D

- **Pav.8:** 1. Šešiakampis veržliaraktis 2. Varžtas  
3. Atlaisvinti 4. Priveržti
- **Pav.9:** 1. Siaurapjūklio ašmenys 2. Šešiakampis veržliaraktis 3. Siaurapjūklio ašmenų anga  
4. Ašmenų veržtuvus

Norėdami įtaisyti siaurapjūklio / metalo pjūklelio ašmenis, atsukite varžtą šešiakampiu veržliarakčiu. Montuodami siaurapjūklio ašmenis, paspauskite varžtą šešiakampiu veržliarakčiu, kad būtų atverta anga ašmenims įdėti.

- **Pav.10:** 1. Siaurapjūklio / metalo pjūklelio ašmenys 2. Ašmenų veržtuvus 3. Siaurapjūklio ašmenų anga 4. Metalo pjūklelio ašmenų anga

### ► Pav.11

Galite naudoti ir metalo pjūklelių ašmenis (B tipo), ir siaurapjūklį ašmenis, tai priklauso nuo atliekamo darbo. Įkiškite siaurapjūklį / metalo pjūklelio ašmenis tiesiai į veržtuvą ir tvirtai užveržkite šešiakampiu veržliarakčiu. Šiek tiek patraukite už siaurapjūklį / metalo pjūklelio ašmenų, patikrindami, ar ašmenys darbo metu neiškris. Norėdami nuimti siaurapjūklį / metalo pjūklelio ašmenis, atlikite įdėjimo veiksmus atvirkščia eilės tvarka.

## Šešiabriaunio veržliarakčio laikymas

- **Pav.12:** 1. Šešiakampis veržliaraktis 2. Iškyša

Nenaudojamą šešiabriaunį veržliarakčių laikykite taip, kaip parodyta paveikslėlyje, kad nepamestumėte.

## NAUDOJIMAS

**▲PERSPĖJIMAS:** Pjaudami visada tvirtai prispauskite atraminę plokštę prie ruošinio. Atraminę plokštę visada turi būti tvirtai prispausta prie ruošinio. Jeigu ji bus nuimta arba tarp jų bus tarpas, pjaunant atsiras didelė vibracija ir (arba) sąsūka ir ašmenys gali įstrigti, o tai pavojinga.

**▲PERSPĖJIMAS:** Pjaudami metalą, visada dėvėkite pirštines, apsaugančias nuo lekiančių karštų drožlių.

**▲PERSPĖJIMAS:** Visada būtinai dėvėkite tinkamas akių apsaugas, atitinkančias esamus nacionalinius standartus.

**▲PERSPĖJIMAS:** Pjaudami metalą, visada naudokite tinkamą aušinimo priemonę (pjovimo alyvą). Jeigu jos nenaudosite, ašmenys gali per anksti nusidėvėti.

**▲PERSPĖJIMAS:** Pjaudami nesukite ašmenų.

### ► Pav.13

Tvirtai prispauskite atraminę plokštę prie pjovinio. Laikykite tvirtai, kad įrankis nešokinėtų. Lengvai pjovimo ašmenimis palieskite ruošinį. Pirmiausia padarykite bandomąjį įpjovimą, naudodami mažesnę greitį. Po to padidinkite greitį ir tęskite pjovimą.

### ► Pav.14

### ► Pav.15

Galite naudoti svirtinį jungiklį arba gaiduką, tai priklauso nuo atliekamo darbo.

**PASTABA:** Jei įrankis naudojamas tol, kol akumulatoriaus kasėtė išsikrauna, leiskite įrankiui pailsėti 15 minučių prieš tęsdami su kitu akumulatoriumi.

## TECHNINĖ PRIEŽIŪRA

**▲PERSPĖJIMAS:** Visuomet įsitinkinkite, ar įrankis yra išjungtas ir akumulatoriaus kasėtė yra nuimta prieš atlikdami apžiūrą ir priežiūrą.

**PASTABA:** Niekada nenaudokite gazolino, benzino, tirpiklio, spirito arba panašių medžiagų. Gali atsirasti išblukimų, deformacijų arba įtrūkimų.

Kad gaminys būtų SAUGUS ir PATIKIMAS, jį taisyti, apžiūrėti ar vykdyti bet kokią kitą priežiūrą ar derinimą turi įgaliotasis kompanijos „Makita“ techninės priežiūros centras; reikia naudoti tik kompanijos „Makita“ pagamintas atsargines dalis.

## PASIRENKAMI PRIEDAI

**▲PERSPĖJIMAS:** Šiuos papildomus priedus arba įtaisus rekomenduojama naudoti su šioje instrukcijoje nurodytu „Makita“ bendrovės įrankiu. Naudojant bet kokius kitus papildomus priedus arba įtaisus, gali kilti pavojus sužeisti žmones. Naudokite tik nurodytam tikslui skirtus papildomus priedus arba įtaisus.

Jeigu norite daugiau sužinoti apie tuos priedus, kreipkitės į artimiausią „Makita“ techninės priežiūros centrą.

- Atbulinių pjūklų ašmenys
- Metalo pjūklelių ašmenys (tik modeliui JR105D)
- Originalus „Makita“ akumulatorius ir įkroviklis

**PASTABA:** Kai kurie sąrašė esantys priedai gali būti pateikti įrankio pakuotėje kaip standartiniai priedai. Jie įvairiose šalyse gali skirtis.

## TEHNILISED ANDMED

Mudel:	JR103D	JR105D
Käigu pikkus	13 mm	
Käikude arv minutis	0 - 3 300 min <sup>-1</sup>	
Max löikevõimekus	Toru	50 mm
	Puit	50 mm
Nimipinge	Alalisvool 10,8 V - 12 V max	
Üldpikkus (olenevalt akust)	376 - 386 mm	
Netomass	1,3 - 1,5 kg	

- Meie pideva uuringu- ja arendusprogrammi tõttu võidakse tehnilisi andmeid muuta ilma sellest ette teatamata.
- Tehnilised andmed võivad riigiti erineda.
- Kaal võib erineda olenevalt lisaseadistest, kaasa arvatud akukassetist. Kergeim ja raskeim kombinatsioon EPTA-protseduuri 01/2014 kohaselt on toodud tabelis.

### Sobiv akukasset ja laadija

Akukasset	BL1015 / BL1016 / BL1020B / BL1021B / BL1040B / BL1041B
Laadija	DC10SA / DC10SB / DC10WC / DC10WD / DC18RE

- Mõned eespool loetletud akukassetid ja -laadijad ei pruugi olla teie riigis saadaval.

**⚠ HOIATUS:** Kasutage ainult ülalpool loetletud akukasseid ja laadijaid. Muude akukassetide ja laadijate kasutamine võib tekitada vigastusi ja/või tulekahju.

### Kavandatud kasutus

Tööriist on ette nähtud puidu, plasti ja rauasulamite saagimiseks.

### Müra

Tüüpiline A-korrigeeritud müratase, määratud standardi EN62841-2-11 kohaselt:

#### Mudel JR103D

Helirõhutase ( $L_{pA}$ ): 78 dB (A)

Määramatus (K): 3 dB (A)

Töötamisel võib müratase ületada 80 dB (A).

#### Mudel JR105D

Helirõhutase ( $L_{pA}$ ): 78 dB (A)

Määramatus (K): 3 dB (A)

Töötamisel võib müratase ületada 80 dB (A).

**MÄRKUS:** Deklareeritud müra väärtust (väärtuseid) on mõõdetud kooskõlas standardse katsemeetodiga ning seda võib kasutada ühe seadme võrdlemiseks teisega.

**MÄRKUS:** Deklareeritud müra väärtust (väärtuseid) võib kasutada ka mürataseme esmaseks hindamiseks.

**⚠ HOIATUS:** Kasutage kõrvakaitsmeid.

**⚠ HOIATUS:** Müratase võib elektritööriista tegelikkuses kasutamise ajal erineda deklareeritud väärtus(t)est olenevalt tööriista kasutusviisidest ja eriti töödeldavast toorikust.

**⚠ HOIATUS:** Rakendage operaatori kaitsmiseks kindlasti piisavaid ohutusabinõusid, mis põhinevad hinnangulisel müratasemel tegelikus tööolukorras (võttes arvesse tööperioodi kõiki osasid, näiteks korrad, kui seade lülitatakse välja ja seade töötab tühikäigul, lisaks tööajale).

### Vibratsioon

Vibratsiooni koguväärtus (kolmeteljeliste vektorite summa) määratud standardi EN62841-2-11 kohaselt:

#### Mudel JR103D

Töörežiim: laudade saagimine

Vibratsiooni emissioon ( $a_{h,B}$ ): 8,0 m/s<sup>2</sup>

Määramatus (K): 1,5 m/s<sup>2</sup>

Töörežiim: puittalade saagimine

Vibratsiooni emissioon ( $a_{h,WB}$ ): 8,0 m/s<sup>2</sup>

Määramatus (K): 1,5 m/s<sup>2</sup>

#### Mudel JR105D

Töörežiim: laudade saagimine

Vibratsiooni emissioon ( $a_{h,B}$ ): 8,0 m/s<sup>2</sup>

Määramatus (K): 1,5 m/s<sup>2</sup>

Töörežiim: puittalade saagimine

Vibratsiooni emissioon ( $a_{h,WB}$ ): 8,0 m/s<sup>2</sup>

Määramatus (K): 1,5 m/s<sup>2</sup>

**MÄRKUS:** Deklareeritud vibratsiooni koguväärtust (-väärtuseid) on mõõdetud kooskõlas standardse katsemeetodiga ning seda võib kasutada ühe seadme võrdlemiseks teisega.

**MÄRKUS:** Deklareeritud vibratsiooni koguväärtust (-väärtuseid) võib kasutada ka mürataseme esmasseks hindamiseks.

**⚠️HOIATUS:** Vibratsioonitase võib elektritööriista tegelikkuses kasutamise ajal erineda deklareeritud väärtus(t)est olenevalt tööriista kasutusviisidest ja eriti töödeldavast toorikust.

**⚠️HOIATUS:** Rakendage operaatori kaitsmiseks kindlasti piisavaid ohutusabinõusid, mis põhinevad hinnangulisel müratasemel tegelikus töösihtsuutis (võttes arvesse tööperioodi kõiki osasid, näiteks korrad, kui seade lülitatakse välja ja seade töötab tühikäigul, lisaks tööajale).

## EÜ vastavusdeklaratsioon

### Ainult Euroopa riikide puhul

EÜ vastavusdeklaratsioon sisaldub käesoleva juhendi Lisas A.

## Üldised elektritööriistade ohutusohiatused

**⚠️HOIATUS:** Lugege läbi kõik selle elektritööriistaga kaasas olevad ohutusohiatused, juhised, joonised ja tehnilised andmed. Järgnevate juhiste eiramine võib põhjustada elektrilöögi, süttimise ja/või raske kehavigastuse.

## Hoidke edaspidisteks viide- teks alles kõik hoiatused ja juhtnöörid.

Hoiatuses kasutatud termini „elektritööriist“ all peetakse silmas elektriga töötavaid (juhtmega) elektritööriistu või akuga töötavaid (juhtmeta) elektritööriistu.

## Juhtmeta löikesae ohutusjuhised

1. Hoidke elektritööriista löikamise ajal isoleeritud käepidemest, kui löikeriist võib kokku puutuda peidetud juhtmetega. Voolu all oleva juhtmega kokkupuutesse sattunud löiketera võib pingestada elektritööriista metallosi ning põhjustada kasutajale elektrilöögi.
2. Kasutage klambreid või mõnda muud sobivat viisi töödeldava detaili kinnitamiseks ja toetamiseks stabiilsele alusele. Töödeldava detaili hoidmisel käega või vastu keha on detail ebastabiilses asendis ning võib põhjustada kontrolli kaotust.
3. Kasutage alati kaitseprille või ohutusprille. Tavalised prillid või päikesepriidid EI OLE kaitseprillid.
4. Vältige naeltesse sisselõikamist. Kontrollige, kas töödeldavas detailis on naelu. Eemaldage need enne töö alustamist.
5. Ärge lõigake ülemõõdulist detaili.

6. Enne löikamist kontrollige sobiva eraldamisvahemiku olemasolu töödeldava detaili ja toetuspinna vahel nii, et löiketera ei tabaks pörandat, tööpinkki jne.
7. Hoidke tööriistast kindlalt kinni.
8. Veenduge, et lihvketas ei puutuks enne tööriista sisselülitamist vastu töödeldavat detaili.
9. Hoidke käed liikuvatest osadest eemal.
10. Ärge jätke tööriista käima. Käivitage tööriist ainult siis, kui hoiate seda käes.
11. Enne löiketera eemaldamist töödeldavast detailist lülitage tööriist alati vooluvõrgust välja ja oodake, kuni löiketera on lõplikult seiskunud.
12. Ärge puudutage saelehte ega töödeldavat detaili vahetult pärast tööoperatsiooni, sest need võivad olla äärmiselt kuumad ja põletada nahka.
13. Ärge käitage tööriista tarbetult koormamata olekus.
14. Kasutage alati õiget tolmu maski/respiraatorit, mis vastab materjalile ja rakendusele, millega töötate.
15. Mõned materjalid võivad sisaldada mürgiseid aineid. Võtke meetmed tolmu sissehingamise ja nahaga kokkupuute vältimiseks. Järgige materjali tarnija ohutusteavet.

## HOIDKE JUHEND ALLES.

**⚠️HOIATUS:** ÄRGE UNUSTAGE järgida toote ohutusnõudeid mugavuse või toote (korduskasutamise saavutatud) hea tundmise tõttu. **VALE KASUTUS** või kasutusjuhendi ohutuseeskirjade eiramine võib põhjustada tervisekahjustusi.

## Akukassetiga seotud olulised ohutusjuhised

1. Enne akukasseti kasutamist lugege (1) akulaadja, (2) akul ja (3) seadmel olevad juhtnöörid ja hoiatused läbi.
2. Ärge võtke akukassetti lahti.
3. Kui tööaeg järsult lüheneb, siis lõpetage kohe kasutamine. Edasise kasutamise tulemuseks võib olla ülekuumenemine, võimalikud põletused või isegi plahvatus.
4. Kui elektrolüüti satub silma, siis loputage silma puhta veega ja pöörduge koheselt arsti poole. Selline õnnetus võib põhjustada pimedaksjäämist.
5. Ärge tekitage akukassetis lühist:
  - (1) Ärge puutuge klemme elektrijuhtidega.
  - (2) Ärge hoidke akukassetti tööriistakastis koos metallsemetega, nagu naelad, mündid jne.
  - (3) Ärge tehke akukassetti märjaks ega jätke seda vilma kätte.Aku lühis võib põhjustada tugevat elektrivoolu, ülekuumenemist, põletusi ning ka seade tõsiselt kahjustada.
6. Ärge hoidke tööriista ja akukassetti kohtades, kus temperatuur võib tõusta üle 50 °C.

7. Ärge põletage akukassetti isegi siis, kui see on saanud tõsiselt vigastada või on täiesti kulu- nud. Akukassett võib tules plahvatada.
8. Olge ettevaatlik, ärge laske akul maha kukkuda ja vältige lööke.
9. Ärge kasutage kahjustatud akut.
10. Sisalduvatele liitium-ioonakudele võivad kohalduda ohtlike kaupade õigusaktide nõu- ded.  
Kaubanduslikul transportimisel, näiteks kolman- date poolte või transpordiettevõtete poolt, tuleb järgida pakendil ja siltidel toodud erinõudeid. Transportimiseks ettevalmistamisel on vajalik pidada nõu ohtliku materjali eksperdigaga. Samuti tuleb järgida võimalike riiklike regulatsioonide üksikasjalikumaid nõudeid.  
Katke teibiga või varjake avatud kontaktid ja pakendage aku selliselt, et see ei saaks pakendis liikuda.
11. Järgige kasutuskõlbmatuks muutunud aku käitlemisel kohalikke eeskirju.
12. Kasutage akusid ainult Makita heaks kiidetud toodetega. Akude paigaldamine selleks mitte ettenähtud toodetele võib põhjustada süttimist, ülemäärast kuumust, plahvatamist või elektrilöödi lekkimist.

## HOIDKE JUHEND ALLES.

**⚠ETTEVAATUST:** Kasutage ainult Makita originaalakusid. Mitte Makita originaalakude või muudetud akude kasutamine võib põhjustada akude süttimise, kehavigastuse ja kahjustuse. Samuti muu- dab see kehtetuks Makita tööriista ja laadija Makita garantii.

## Vihjeid aku maksimaalse kasu- tustaja tagamise kohta

1. Laadige akukassetti enne selle täielikku tühjenemist. Kui märkate, et tööriist töötab väiksema võimsusega, peatage töö ja laadige akukassetti.
2. Ärge laadige täielikult laetud akukassetti. Ülelaadimine lühendab akude kasutusiga.
3. Laadige akukassetti toatemperatuuril 10 °C - 40 °C. Enne laadimist laske kuumenenud aku- kassetil maha jahtuda.

## FUNKTSIONAALNE KIRJELDUS

**⚠ETTEVAATUST:** Kandke alati hoolt selle eest, et tööriist oleks enne reguleerimist ja kontrolli- mist välja lülitatud ja akukassett eemaldatud.

### Akukasseti paigaldamine või eemaldamine

**⚠ETTEVAATUST:** Lülitage tööriist alati enne akukasseti paigaldamist või eemaldamist välja.

**⚠ETTEVAATUST:** Akukasseti paigaldamisel või eemaldamisel tuleb tööriista ja akukassetti kindlalt paigal hoida. Kui tööriista ja akukassetti ei hoita kindlalt paigal, võivad need käest libiseda ning kahjustada tööriista ja akukassetti või põhjustada kehavigastusi.

► **Joon.1:** 1. Punane näidik 2. Nupp 3. Akukassett

Akukasseti eemaldamiseks libistage see tööriista kül- jest lahti, vajutades kasseti esiküljel paiknevat nuppu alla.

Akukasseti paigaldamiseks joondage akukasseti keel korpuse soonega ja libistage kassett oma kohale. Paigaldage akuadapter alati nii kaugele, et see lukus- tuks klõpsatusega oma kohale. Kui näete nupu ülaosas punast osa, pole kassett täielikult lukustunud.

**⚠ETTEVAATUST:** Paigaldage akukassett alati täies ulatuses nii, et punast osa ei jääks näha.

Muidu võib adapter juhuslikult tööriistast välja kuk- kuda ning põhjustada teile või läheduses viibivatele isikutele vigastusi.

**⚠ETTEVAATUST:** Ärge rakendage akukasseti paigaldamisel jõudu. Kui kassett ei lähe kergesti sisse, pole see õigesti paigaldatud.

### Aku kaitstesüsteem

Tööriist on varustatud aku kaitstesüsteemiga. Süsteem lülitab mootori automaatselt välja, et pikendada aku tööiga.

Tööriist seiskub käitamise ajal automaatselt, kui töö- riista ja/või aku kohta kehtivad järgmised tingimused:

#### Ülekoormus:

Tööriista kasutatakse viisil, mis põhjustab toitevoolu tugevuse tõusu lubatust kõrgemale.

Sellisel juhul lülitage tööriist välja ning lõpetage tööriista ülekoormuse põhjustanud tegevus. Pärast seda käivi- tage tööriist uuesti.

Kui tööriist ei käivitu, on aku üle kuumenenud. Sellises olukorras laske akul enne tööriista uuesti sisselülitamist jahtuda.

#### Madal akupinge:

Järelejäänud aku voolutugevus on liiga väike ja tööriist ei tööta. Tööriista sisse lülitades hakkab mootor tööle, kuid seiskub peatselt. Sellisel juhul eemaldage aku ja laadige seda.

## Aku jääkmahutavuse näit

### Ainult näidikuga akukassetidele

► **Joon.2:** 1. Märgulambid 2. Kontrollimise nupp

Akukasseti järelejäänud mahutavuse kontrollimiseks vajutage kontrollimise nuppu. Märgulambid süttivad mõneks sekundiks.

Märgulambid		Jääkmahutavus
Põleb	Ei põle	
■ ■ ■ ■	□	75–100%
■ ■ ■ □	□	50–75%
■ ■ □ □	□ □	25–50%
■ □ □ □	□ □ □ □	0–25%

**MÄRKUS:** Näidatud mahutavus võib veidi erineda tegelikust mahutavusest olenevalt kasutustingimustest ja ümbritseva keskkonna temperatuurist.

## Lüliti funktsioneerimine

**⚠ETTEVAATUST:** Kontrollige alati enne akukasseti tööriista külge paigaldamist, kas hooblülitit/päästiklülitit funktsioneerib nõuetekohaselt ja liigub lahtilaskmisel tagasi väljalülitatud asendisse.

► **Joon.3:** 1. Lahtilukustusnupp 2. Lahtilukustushoob 3. Hooblülit 4. Lülitit päästik

Selleks, et hooblülitit/päästiklülitit poleks võimalik juhuslikult tõmmata, on tööriistal lahtilukustushoob/lahtilukustusnupp. Tööriista tööle lülitamiseks tõmmake kas hooblülitit või päästiklülitit.

- Hooblülitit puhul tõmmake lahtilukustushooba ja seejärel tõmmake hooblülitit, et käivitada tööriista.
- Päästiklülitit puhul vajutage lahtilukustusnuppu ja seejärel tõmmake päästiklülitit, et käivitada tööriista. Lahtilukustusnuppu võib vajutada nii paremalt kui ka vasakult poolt.

Tööriista kiirus kasvab, kui suurendate survet hooblülitile/päästiklülitile. Seiskamiseks vabastage hooblülitit/päästiklülitit.

**TÄHELEPANU:** Ärge tõmmake hooblülitit/päästiklülitit jõuga ilma lahtilukustushooba/lahtilukustusnuppu vajutamata. See võib põhjustada lüliti purunemise.

## Eesmise lambi süütamine

**⚠ETTEVAATUST:** Ärge vaadake otse valgusesse ega valgusallikat.

► **Joon.4:** 1. Lamp

Tõmmake hooblülitit/päästiklülitit, et lamp süttiks. Lamp põleb seni, kuni tõmmatakse hooblülitit/päästiklülitit. Lamp kustub umbes 10 sekundit pärast hooblülitit/päästiklülitit vabastamist.

**MÄRKUS:** Pühkige lamp kuiva lapiga puhtaks. Olge seda tehes ettevaatlik, et lambi läätse mitte kriimustada, sest muidu võib valgustus väheneda.

## Talla reguleerimine

► **Joon.5:** 1. Kuuskantvõti 2. Kuuskantpolt 3. Vabastage

Kui tera lõiketõhusus väheneb ühes kohas piki lõikeserva, muutke talla asendit, et kasutada lõikeserva teravat, kasutamata osa. See aitab pikendada tera kasutusiga.

Talla asendi muutmiseks vabastage polt kuuskantvõtmeaga. Lükake tald soovitud asendisse ja pingutage polti korralikult.

## KOKKUPANEK

**⚠ETTEVAATUST:** Kandke alati hoolt selle eest, et tööriist oleks enne igasuguseid hooldustöid välja lülitatud ja akukassett eemaldatud.

## Lõikesae-/tikksaetera paigaldamine või eemaldamine

**⚠ETTEVAATUST:** Puhastage tera ja/või teraklamber ja selle ümbrus alati külge jäänud laastudest või lahtistest osakestest. Muidu võib tera pingutus olla ebapiisav ja põhjustada tõsise vigastuse.

### Mudelile JR103D

► **Joon.6:** 1. Lõikesaetera 2. Teraklambril hülss

Sisestage lõikesaetera võimalikult sügavale teraklambrisse. Teraklambril hülss pöörleb ja kinnitab lõikesaetera kohale. Veenduge, et lõikesaetera ei saa eemaldada, isegi kui proovite seda välja tõmmata.

**⚠ETTEVAATUST:** Kui te ei pane lõikesaetera piisavalt sügavale, võib see töö käigus ootamatult välja tulla. See võib olla äärmiselt ohtlik.

**MÄRKUS:** Tikksaetera ei saa kasutada mudeliga JR103D.

► **Joon.7:** 1. Lõikesaetera 2. Teraklambril hülss

Lõikesaetera eemaldamiseks pöörake teraklambril hülss noole suunas lõpuni. Lõikesaetera tuleb lahti ja teraklambril hülss fikseerub avatud asendisse.

**MÄRKUS:** Kui eemaldate lõikesaetera teraklambril hülssi lõpuni pööramata, võib juhtuda, et hülss ei fikseeru. Sellisel juhul pöörake teraklambril hülss lõpuni, seejärel fikseerige hülss avatud asendisse.

## Mudelile JR105D

► **Joon.8:** 1. Kuuskantvõti 2. Polt 3. Vabastage 4. Pingutage

► **Joon.9:** 1. Lõikesaetera 2. Kuuskantvõti 3. Ava lõikesaeterale 4. Teraklamber

Lõikesae-/tikksaetera paigaldamiseks lõdvendage polti kuuskantvõtmega. Lõikesaetera paigaldamisel vajutage polti kuuskantvõtmega, et avada pilu tera sisestamise ajal.

► **Joon.10:** 1. Lõikesae- või tikksaetera 2. Teraklamber 3. Ava lõikesaeterale 4. Ava tikksaeterale

### ► Joon.11

Te saate kasutada nii tikksaeterasid (B-tüüp) kui lõikesaeterasid vastavalt teostatavale tööle. Sisestage lõikesae- või tikksaetera otse teraklambrisse ja pingutage seda kuuskantvõtmega. Tõmmake kergelt lõikesae- või tikksaetere, et see töötamise ajal kindlasti küljest ära ei kukuks.

Lõikesae- või tikksaetera eemaldamiseks järgige paigaldamise protseduuri vastupidises järjekorras.

## Kuuskantvõtme hoiulepanek

► **Joon.12:** 1. Kuuskantvõti 2. Eend

Kui kuuskantvõtit ei kasutata, siis pange see joonisel näidatud moel hoiule, et vältida selle ära kadumist.

## TÖÖRIISTA KASUTAMINE

**⚠ETTEVAATUST:** Suruge tald töö käigus alati kindlalt töödeldava detaili vastu. Kui tald eemaldatakse või seda hoitakse töötamise ajal töödeldavast detailist eemal, tekib tugev vibratsioon ja/või väändumine, mis põhjustab tera ohtliku murdumise.

**⚠ETTEVAATUST:** Metallil lõikamisel kandke alati kindaid, et kaitsta käsi õhku paiskuvate kuumade laastude eest.

**⚠ETTEVAATUST:** Kandke kindlasti alati sobivaid kaitseprille, mis vastavad kehtivatele riiklikele standarditele.

**⚠ETTEVAATUST:** Kasutage metallil lõikamisel alati sobivat jahutusainet (metallitöötlusõli). Muidu on tagajärjeks tera enneaegne kulumine.

**⚠ETTEVAATUST:** Ärge väänake tera lõikamise ajal.

### ► Joon.13

Suruge tald kindlalt töödeldava detaili vastu. Ärge laske tööriistal hüpata. Pange lõikesaetera kergelt vastu töödeldavat detaili. Kõigepealt tehke madalamal kiirusel eelsoon. Seejärel jätkake lõikamist suuremal kiirusel.

### ► Joon.14

### ► Joon.15

Te saate kasutada hooblülitit või päästiklülitit vastavalt teostatavale tööle.

**MÄRKUS:** Kui tööriistaga töötatakse järjest seni, kuni akukassett on tühi, laske tööriistal enne uue akuga töö jätkamist 15 minutit seista.

## HOOLDUS

**⚠ETTEVAATUST:** Enne kontroll- või hooldustoimingute tegemist kandke alati hoolt selle eest, et tööriist oleks välja lüülitatud ja akukassett korpuse küljest eemaldatud.

**TÄHELEPANU:** Ärge kunagi kasutage bensiini, vedeldit, alkoholi ega midagi muud sarnast. Selle tulemuseks võib olla luitumine, deformatsioon või pragunemine.

Toote OHUTUSE ja TÖÖKINDLUSE tagamiseks tuleb vajalikud remonttööd ning muud hooldus- ja reguleerimistööd lasta teha Makita volitatud teeninduskeskustes või tehase teeninduskeskustes. Alati tuleb kasutada Makita varuosi.

## VALIKULISED TARVIKUD

**⚠ETTEVAATUST:** Neid tarvikuid ja lisaseadiseid on soovitatav kasutada koos Makita tööriistaga, mille kasutamist selles kasutusjuhendis kirjeldatakse. Muude tarvikute ja lisaseadiste kasutamisega kaasneb vigastada saamise oht. Kasutage tarvikuid ja lisaseadiseid ainult otstarbekohaselt.

Saate vajaduse korral kohalikust Makita teeninduskeskusest lisateavet nende tarvikute kohta.

- Lõikesaeterad
- Tikksaeterad (ainult mudelile JR105D)
- Makita algupärane aku ja laadija

**MÄRKUS:** Mõned nimekirjas loetletud tarvikud võivad kuuluda standardvarustusse ning need on lisatud tööriista pakendisse. Need võivad riigiti erineda.

## ТЕХНИЧЕСКИЕ ХАРАКТЕРИСТИКИ

Модель:		JR103D	JR105D
Длина хода		13 мм	
Ходов в минуту		0 - 3 300 мин <sup>-1</sup>	
Макс. режущие возможности	Труба	50 мм	
	Дерево	50 мм	
Номинальное напряжение		10,8 - 12 В пост. тока, макс.	
Общая длина (в зависимости от аккумулятора)		376 - 386 мм	
Масса нетто		1,3 - 1,5 кг	

- Благодаря нашей постоянно действующей программе исследований и разработок указанные здесь технические характеристики могут быть изменены без предварительного уведомления.
- Технические характеристики могут различаться в зависимости от страны.
- Масса может отличаться в зависимости от дополнительного оборудования. Обратите внимание, что блок аккумулятора также считается дополнительным оборудованием. В таблице представлены комбинации с наибольшим и наименьшим весом в соответствии с процедурой EPTA 01/2014.

### Подходящий блок аккумулятора и зарядное устройство

Блок аккумулятора	BL1015 / BL1016 / BL1020B / BL1021B / BL1040B / BL1041B
Зарядное устройство	DC10SA / DC10SB / DC10WC / DC10WD / DC18RE

- В зависимости от региона проживания некоторые блоки аккумуляторов и зарядные устройства, перечисленные выше, могут быть недоступны.

**⚠ОСТОРОЖНО:** Используйте только перечисленные выше блоки аккумуляторов и зарядные устройства. Использование других блоков аккумуляторов и зарядных устройств может привести к травме и/или пожару.

### Назначение

Данный инструмент предназначен для распиливания древесины, резки пластика и черного металла.

### Шум

Типичный уровень взвешенного звукового давления (A), измеренный в соответствии с EN62841-2-11:

#### Модель JR103D

Уровень звукового давления ( $L_{pA}$ ): 78 дБ (A)

Погрешность (K): 3 дБ (A)

Уровень шума при выполнении работ может превышать 80 дБ (A).

#### Модель JR105D

Уровень звукового давления ( $L_{pA}$ ): 78 дБ (A)

Погрешность (K): 3 дБ (A)

Уровень шума при выполнении работ может превышать 80 дБ (A).

**ПРИМЕЧАНИЕ:** Заявленное значение распространения шума измерено в соответствии со стандартной методикой испытаний и может быть использовано для сравнения инструментов.

**ПРИМЕЧАНИЕ:** Заявленное значение распространения шума можно также использовать для предварительных оценок воздействия.

**⚠ОСТОРОЖНО:** Используйте средства защиты слуха.

**⚠ОСТОРОЖНО:** Распространение шума во время фактического использования электроинструмента может отличаться от заявленного значения в зависимости от способа применения инструмента и в особенности от типа обрабатываемой детали.

**⚠ОСТОРОЖНО:** Обязательно определите меры безопасности для защиты оператора, основанные на оценке воздействия в реальных условиях использования (с учетом всех этапов рабочего цикла, таких как включение инструмента, работа без нагрузки и включение).

### Вибрация

Суммарное значение вибрации (сумма векторов по трем осям), определенное в соответствии с EN62841-2-11:

#### Модель JR103D

Рабочий режим: резка панелей

Распространение вибрации ( $a_{h,v}$ ): 8,0 м/с<sup>2</sup>

Погрешность (K): 1,5 м/с<sup>2</sup>

Рабочий режим: резка деревянных балок

Распространение вибрации ( $a_{h,wv}$ ): 8,0 м/с<sup>2</sup>

Погрешность (K): 1,5 м/с<sup>2</sup>

## Модель JR105D

Рабочий режим: резка панелей

Распространение вибрации ( $a_{h,v}$ ): 8,0 м/с<sup>2</sup>

Погрешность (К): 1,5 м/с<sup>2</sup>

Рабочий режим: резка деревянных балок

Распространение вибрации ( $a_{h,vb}$ ): 8,0 м/с<sup>2</sup>

Погрешность (К): 1,5 м/с<sup>2</sup>

**ПРИМЕЧАНИЕ:** Заявленное общее значение распространения вибрации измерено в соответствии со стандартной методикой испытаний и может быть использовано для сравнения инструментов.

**ПРИМЕЧАНИЕ:** Заявленное общее значение распространения вибрации можно также использовать для предварительных оценок воздействия.

**⚠ ОСТОРОЖНО:** Распространение вибрации во время фактического использования электроинструмента может отличаться от заявленного значения в зависимости от способа применения инструмента и в особенности от типа обрабатываемой детали.

**⚠ ОСТОРОЖНО:** Обязательно определите меры безопасности для защиты оператора, основанные на оценке воздействия в реальных условиях использования (с учетом всех этапов рабочего цикла, таких как выключение инструмента, работа без нагрузки и включение).

## Декларация о соответствии ЕС

*Только для европейских стран*

Декларация о соответствии ЕС включена в руководство по эксплуатации (Приложение А).

## Общие рекомендации по технике безопасности для электроинструментов

**⚠ ОСТОРОЖНО:** Ознакомьтесь со всеми представленными инструкциями по технике безопасности, указаниями, иллюстрациями и техническими характеристиками, прилагаемыми к данному электроинструменту. Несоблюдение каких-либо инструкций, указанных ниже, может привести к поражению электрическим током, пожару и/или серьезной травме.

## Сохраните брошюру с инструкциями и рекомендациями для дальнейшего использования.

Термин "электроинструмент" в предупреждениях относится ко всему инструменту, работающему от сети (с проводом) или на аккумуляторах (без провода).

## Правила техники безопасности при эксплуатации аккумуляторной сабельной пилы

1. Если при выполнении работ существует риск контакта режущего инструмента со скрытой электропроводкой, держите электроинструмент за специально предназначенные изолированные поверхности. Контакт с проводом под напряжением приведет к тому, что металлические детали инструмента также будут под напряжением, что приведет к поражению оператора электрическим током.

2. Для фиксации разрезаемой детали на устойчивой поверхности используйте зажимы или другие соответствующие приспособления. Никогда не держите распиливаемые детали в руках и не прижимайте их к телу, так как это не обеспечит устойчивого положения детали и может привести к потере контроля над инструментом.
3. Обязательно надевайте защитные очки или защитную маску для лица. Обычные или солнцезащитные очки НЕ ЯВЛЯЮТСЯ защитными очками.
4. Избегайте попадания режущего инструмента на гвозди. Перед пилением осмотрите деталь и убедитесь в отсутствии гвоздей.
5. Не распиливайте детали, превышающие допустимый размер.
6. Убедитесь в наличии свободного пространства за распиливаемой деталью, чтобы полностью не уперлось в пол, верстак и т. п.
7. Крепко держите инструмент.
8. Перед включением выключателя убедитесь в том, что диск не касается обрабатываемой детали.
9. Руки должны находиться на расстоянии от движущихся деталей.
10. Не оставляйте работающий инструмент без присмотра. Включайте инструмент только тогда, когда он находится в руках.
11. Перед извлечением полотна из детали всегда выключайте инструмент и ждите остановки движения полотна.
12. Не касайтесь полотна или обрабатываемой детали сразу же после работы; они могут быть очень горячими и обжечь кожу.
13. Без необходимости не эксплуатируйте инструмент без нагрузки.
14. Обязательно используйте соответствующую пылезащитную маску/респиратор для защиты дыхательных путей от пыли разрезаемых материалов.
15. Некоторые материалы могут содержать токсичные химические вещества. Примите соответствующие меры предосторожности, чтобы избежать вдыхания или контакта с кожей таких веществ. Соблюдайте требования, указанные в паспорте безопасности материала.

## СОХРАНИТЕ ДАННЫЕ ИНСТРУКЦИИ.

**⚠ ОСТОРОЖНО:** НЕ ДОПУСКАЙТЕ, чтобы удобство или опыт эксплуатации данного устройства (полученный от многократного использования) доминировали над строгим соблюдением правил техники безопасности при обращении с этим устройством. НЕПРАВИЛЬНОЕ ИСПОЛЬЗОВАНИЕ инструмента или несоблюдение правил техники безопасности, указанных в данном руководстве, может привести к тяжелой травме.

## Важные правила техники безопасности для работы с аккумуляторным блоком

1. Перед использованием аккумуляторного блока прочитайте все инструкции и предупреждающие надписи на (1) зарядном устройстве, (2) аккумуляторном блоке и (3) инструменте, работающем от аккумуляторного блока.
2. Не разбирайте аккумуляторный блок.



3. Если время работы аккумуляторного блока значительно сократилось, немедленно прекратите работу. В противном случае, может возникнуть перегрев блока, что приведет к ожогам и даже к взрыву.
4. В случае попадания электролита в глаза промойте их обильным количеством чистой воды и немедленно обратитесь к врачу. Это может привести к потере зрения.
5. Не замыкайте контакты аккумуляторного блока между собой:
  - (1) Не прикасайтесь к контактам какими-либо токопроводящими предметами.
  - (2) Не храните аккумуляторный блок в контейнере вместе с другими металлическими предметами, такими как гвозди, монеты и т. п.
  - (3) Не допускайте попадания на аккумуляторный блок воды или дождя.

Замыкание контактов аккумуляторного блока между собой может привести к возникновению большого тока, перегреву, возможным ожогам и даже поломке блока.

6. Не храните инструмент и аккумуляторный блок в местах, где температура может достигать или превышать 50 °C (122 °F).
7. Не бросайте аккумуляторный блок в огонь, даже если он сильно поврежден или полностью вышел из строя. Аккумуляторный блок может взорваться под действием огня.
8. Не роняйте и не ударяйте аккумуляторный блок.
9. Не используйте поврежденный аккумуляторный блок.
10. Входящие в комплект литий-ионные аккумуляторы должны эксплуатироваться в соответствии с требованиями законодательства об опасных товарах.  
При коммерческой транспортировке, например, третьей стороной или экспедитором, необходимо нанести на упаковку специальные предупреждения и маркировку.  
В процессе подготовки устройства к отправке обязательно проконсультируйтесь со специалистом по опасным материалам. Также соблюдайте местные требования и нормы. Они могут быть строже.  
Закройте или закрепите разомкнутые контакты и упакуйте аккумулятор так, чтобы он не перемещался по упаковке.
11. Выполняйте требования местного законодательства относительно утилизации аккумуляторного блока.
12. Используйте аккумуляторы только с продукцией, указанной Makita. Установка аккумуляторов на продукцию, не соответствующую требованиям, может привести к пожару, перегреву, взрыву или утечке электролита.

## СОХРАНИТЕ ДАННЫЕ ИНСТРУКЦИИ.

**ВНИМАНИЕ:** Используйте только фирменные аккумуляторные батареи Makita. Использование аккумуляторных батарей, не произведенных Makita, или батарей, которые были подвергнуты модификациям, может привести к взрыву аккумулятора, пожару, травмам и повреждению имущества. Это также автоматически аннулирует гарантию Makita на инструмент и зарядное устройство Makita.

## Советы по обеспечению максимального срока службы аккумулятора

1. Заряжайте блок аккумуляторов перед его полной разрядкой. Обязательно прекратите работу с инструментом и зарядите блок аккумуляторов, если вы заметили снижение мощности инструмента.
2. Никогда не подзаряжайте полностью заряженный блок аккумуляторов. Перезарядка сокращает срок службы аккумулятора.
3. Заряжайте блок аккумуляторов при комнатной температуре в 10 - 40 °C (50 - 104 °F). Перед зарядкой горячего блока аккумуляторов дайте ему остыть.

## ОПИСАНИЕ РАБОТЫ

**ВНИМАНИЕ:** Перед регулировкой или проверкой функций инструмента обязательно убедитесь, что он выключен и его аккумуляторный блок снят.

## Установка или снятие блока аккумуляторов

**ВНИМАНИЕ:** Обязательно выключайте инструмент перед установкой и извлечением аккумуляторного блока.

**ВНИМАНИЕ:** При установке и извлечении аккумуляторного блока крепко удерживайте инструмент и аккумуляторный блок. Если не соблюдать это требование, они могут выскользнуть из рук, что приведет к повреждению инструмента, аккумуляторного блока и травмированию оператора.

► **Рис.1:** 1. Красный индикатор 2. Кнопка 3. Блок аккумулятора

Для снятия аккумуляторного блока нажмите кнопку на лицевой стороне и извлеките блок.

Для установки аккумуляторного блока совместите выступ аккумуляторного блока с пазом в корпусе и задвиньте его на место. Устанавливайте блок до упора так, чтобы он зафиксировался на месте с небольшим щелчком. Если вы можете видеть красный индикатор на верхней части клавиши, адаптер аккумулятора не полностью установлен на месте.

**ВНИМАНИЕ:** Обязательно устанавливайте аккумуляторный блок до конца, чтобы красный индикатор не был виден. В противном случае аккумуляторный блок может выпасть из инструмента и нанести травму вам или другим людям.

**ВНИМАНИЕ:** Не прилагайте чрезмерных усилий при установке аккумуляторного блока. Если блок не двигается свободно, значит он вставлен неправильно.

## Система защиты аккумулятора

На инструменте предусмотрена система защиты аккумулятора. Она автоматически отключает питание двигателя для продления срока службы аккумулятора.

Инструмент автоматически остановится во время работы при возникновении указанных ниже ситуаций.

### Перегрузка:

Из-за способа эксплуатации инструмент потребляет очень большое количество тока.

В этом случае выключите инструмент и прекратите работу, повлекшую перегрузку инструмента. Затем выключите инструмент для перезапуска.

Если инструмент не включается, значит перегрелся аккумуляторный блок. В этом случае дайте аккумулятору остыть перед повторным включением инструмента.

### Низкое напряжение аккумуляторной батареи:









Уровень оставшейся емкости аккумулятора слишком низкий, и инструмент не работает. При включении инструмента электродвигатель запускается и вскоре останавливается. В этом случае снимите и зарядите аккумулятор.

## Индикация оставшегося заряда аккумулятора

Только для блоков аккумулятора с индикатором

► **Рис.2:** 1. Индикаторы 2. Кнопка проверки

Нажмите кнопку проверки на аккумуляторном блоке для проверки заряда. Индикаторы загорятся на несколько секунд.

Индикаторы		Уровень заряда
Горит	Выкл.	
		от 75 до 100%
		от 50 до 75%
		от 25 до 50%
		от 0 до 25%

**ПРИМЕЧАНИЕ:** В зависимости от условий эксплуатации и температуры окружающего воздуха индикация может незначительно отличаться от фактического значения.

## Действие выключателя

**ВНИМАНИЕ:** Перед установкой аккумуляторного блока в инструмент обязательно убедитесь, что его рычаг/триггерный переключатель нормально работает и возвращается в положение "OFF" (ВЫКЛ.) при отпускании.

► **Рис.3:** 1. Кнопка разблокировки 2. Рычаг разблокировки 3. Рычаг переключателя 4. Триггерный переключатель

Для предотвращения случайного нажатия рычаг/триггерный переключатель оборудован рычагом/кнопкой разблокировки.

Для включения инструмента достаточно просто нажать на рычаг или триггерный переключатель.

- При использовании рычага переключателя для включения инструмента нажмите рычаг разблокировки, а затем рычаг переключателя.
- При использовании триггерного переключателя для включения инструмента нажмите кнопку разблокировки, а затем триггерный переключатель. Кнопку разблокировки можно нажимать как с левой, так и с правой стороны.

Для увеличения числа оборотов нажмите рычаг/триггерный переключатель сильнее. Для выключения инструмента отпустите рычаг/триггерный переключатель.

**ПРИМЕЧАНИЕ:** Не давите сильно на рычаг/триггерный переключатель, не нажав рычаг/кнопку разблокировки. Это может привести к поломке переключателя.

## Включение передней лампы

**ВНИМАНИЕ:** Не смотрите непосредственно на свет или источник света.

► **Рис.4:** 1. Лампа

Нажмите на рычаг/триггерный переключатель для включения лампы. Лампа будет светиться до тех пор, пока нажат рычаг/триггерный переключатель. Лампа гаснет примерно через 10 секунд после отпущения рычага/триггерного переключателя.

**ПРИМЕЧАНИЕ:** Для удаления пыли с линзы лампы используйте сухую ткань. Не допускайте возникновения царапин на линзе лампы, так как это приведет к снижению освещенности.

## Регулировка башмака

► **Рис.5:** 1. Шестигранный ключ 2. Болт с шестигранной головкой 3. Ослабить

Когда полотно утратит свои режущие качества в одном месте его режущей кромки, переместите башмак для использования острой режущей кромки неиспользованной части полотна. Это позволит продлить срок службы полотна.

Для изменения положения башмака ослабьте болт шестигранным ключом. Сдвиньте башмак в нужное положение и затем плотно затяните болт.

## СБОРКА

**ВНИМАНИЕ:** Перед проведением каких-либо работ с инструментом обязательно убедитесь, что инструмент отключен, а блок аккумулятора снят.

## Установка или снятие полотна для сабельной/ножовочной пилы

**ВНИМАНИЕ:** Всегда удаляйте все опилки или инородные частицы, прилипшие к полотну и/или зажиму полотна. Несоблюдение данного требования может привести к недостаточной затяжке лезвия и серьезной травме.

### Для модели JR103D

► **Рис.6:** 1. Полотно сабельной пилы 2. Муфта зажима полотна

Вставьте полотно сабельной пилы в зажим полотна до упора. Втулка зажима полотна повернется и зафиксирует полотно. Убедитесь, что полотно не может быть извлечено из зажима, даже если вы потянете за него.

**ВНИМАНИЕ:** Если вы не вставите полотно достаточно глубоко, при работе полотно сабельной пилы может неожиданно выскочить. Это может быть чрезвычайно опасно.

**ПРИМЕЧАНИЕ:** Полотно ножовочной пилы нельзя использовать с JR103D.

► **Рис.7:** 1. Полотно сабельной пилы 2. Муфта зажима полотна

Чтобы снять ножовочное полотно, поверните муфту держателя полотна до упора в направлении стрелки. Ножовочное полотно вынимается, а муфта держателя полотна фиксируется в открытом положении.

**ПРИМЕЧАНИЕ:** Если вы вытащили полотно сабельной пилы, не повернув муфту держателя полотна до упора, это значит, что муфта не зафиксирована. В этом случае снова поверните муфту держателя полотна до упора и убедитесь, что она зафиксировалась в открытом положении.

### Для модели JR105D

► **Рис.8:** 1. Шестигранный ключ 2. Болт 3. Ослабить 4. Затянуть

► **Рис.9:** 1. Полотно сабельной пилы 2. Шестигранный ключ 3. Отверстие для полотна сабельной пилы 4. Зажим полотна

Для установки полотна сабельной/ножовочной пилы ослабьте болт шестигранным ключом. При установке полотна сабельной пилы нажмите на болт шестигранным ключом, чтобы открыть паз в момент установки полотна.

► **Рис.10:** 1. Полотно сабельной/ножовочной пилы 2. Зажим полотна 3. Отверстие для полотна сабельной пилы 4. Отверстие для полотна ножовочной пилы

► **Рис.11**

В зависимости от типа работ можно использовать полотно ножовочной пилы (тип В) или полотно сабельной пилы. Вставьте полотно сабельной/ножовочной пилы в зажим и затяните шестигранным ключом. Слегка потяните за полотно, чтобы убедиться, что оно не выпадет во время работы. Для снятия полотна пилы повторите процедуру установки в обратном порядке.

## Хранение шестигранного ключа

► **Рис.12:** 1. Шестигранный ключ 2. Выступ

Когда шестигранный ключ не используется, храните его, как показано на рисунке, чтобы не потерять.

## ЭКСПЛУАТАЦИЯ

**ВНИМАНИЕ:** Во время пиления всегда плотно прижимайте башмак к обрабатываемой детали. Если во время работы башмак инструмента снят или не соприкасается с обрабатываемой деталью, это может привести к значительной вибрации и/или усилению скручивания, что, в свою очередь, может вызвать опасное зажатие полотна.

**ВНИМАНИЕ:** При резке металла всегда надевайте перчатки для защиты рук от горячей летящей стружки.

**ВНИМАНИЕ:** Обязательно надевайте соответствующие средства защиты глаз, соответствующие действующим национальным стандартам.

**ВНИМАНИЕ:** При резке металла всегда пользуйтесь подходящей охлаждающей жидкостью (масло для резки). Несоблюдение данного требования приведет к преждевременному износу полотна.

**ВНИМАНИЕ:** Не загибайте полотно во время резки.

► **Рис.13**

Крепко прижимайте башмак к обрабатываемой детали. Следите за тем, чтобы инструмент не отскакивал. В начале резки не прижимайте сильно полотно сабельной пилы к детали. Сначала сделайте пробный вырез при низкой скорости. Затем продолжите резку на более высокой скорости.

► **Рис.14**

► **Рис.15**

В зависимости от типа работ можно использовать рычаг или триггерный переключатель.

**ПРИМЕЧАНИЕ:** Если инструмент эксплуатировался непрерывно до разряда блока аккумулятора, сделайте перерыв на 15 минут перед началом работы с заряженным аккумулятором.

## ОБСЛУЖИВАНИЕ

**ВНИМАНИЕ:** Перед проведением проверки или работ по техобслуживанию всегда проверяйте, что инструмент выключен, а блок аккумулятора снят.

**ПРИМЕЧАНИЕ:** Запрещается использовать бензин, растворители, спирт и другие подобные жидкости. Это может привести к обесцвечиванию, деформации и трещинам.

Для обеспечения БЕЗОПАСНОСТИ и НАДЕЖНОСТИ оборудования ремонт, любое другое техобслуживание или регулировку необходимо производить в уполномоченных сервис-центрах Makita или сервис-центрах предприятия с использованием только сменных частей производства Makita.

# ДОПОЛНИТЕЛЬНЫЕ ПРИНАДЛЕЖНОСТИ

**⚠ВНИМАНИЕ:** Данные принадлежности или приспособления рекомендуются для использования с инструментом Makita, указанным в настоящем руководстве. Использование других принадлежностей или приспособлений может привести к получению травмы. Используйте принадлежность или приспособление только по указанному назначению.

Если вам необходимо содействие в получении дополнительной информации по этим принадлежностям, свяжитесь с вашим сервис-центром Makita.

- Полотна для сабельных пил
- Полотна для ножовочных пил (только для модели JR105D)
- Оригинальный аккумулятор и зарядное устройство Makita

**ПРИМЕЧАНИЕ:** Некоторые элементы списка могут входить в комплект инструмента в качестве стандартных приспособлений. Они могут отличаться в зависимости от страны.

Makita Europe N.V. Jan-Baptist Vinkstraat 2,  
3070 Kortenberg, Belgium

Makita Corporation 3-11-8, Sumiyoshi-cho,  
Anjo, Aichi 446-8502 Japan

[www.makita.com](http://www.makita.com)

885441B984  
EN, SV, NO, FI, LV,  
LT, ET, RU  
20190128