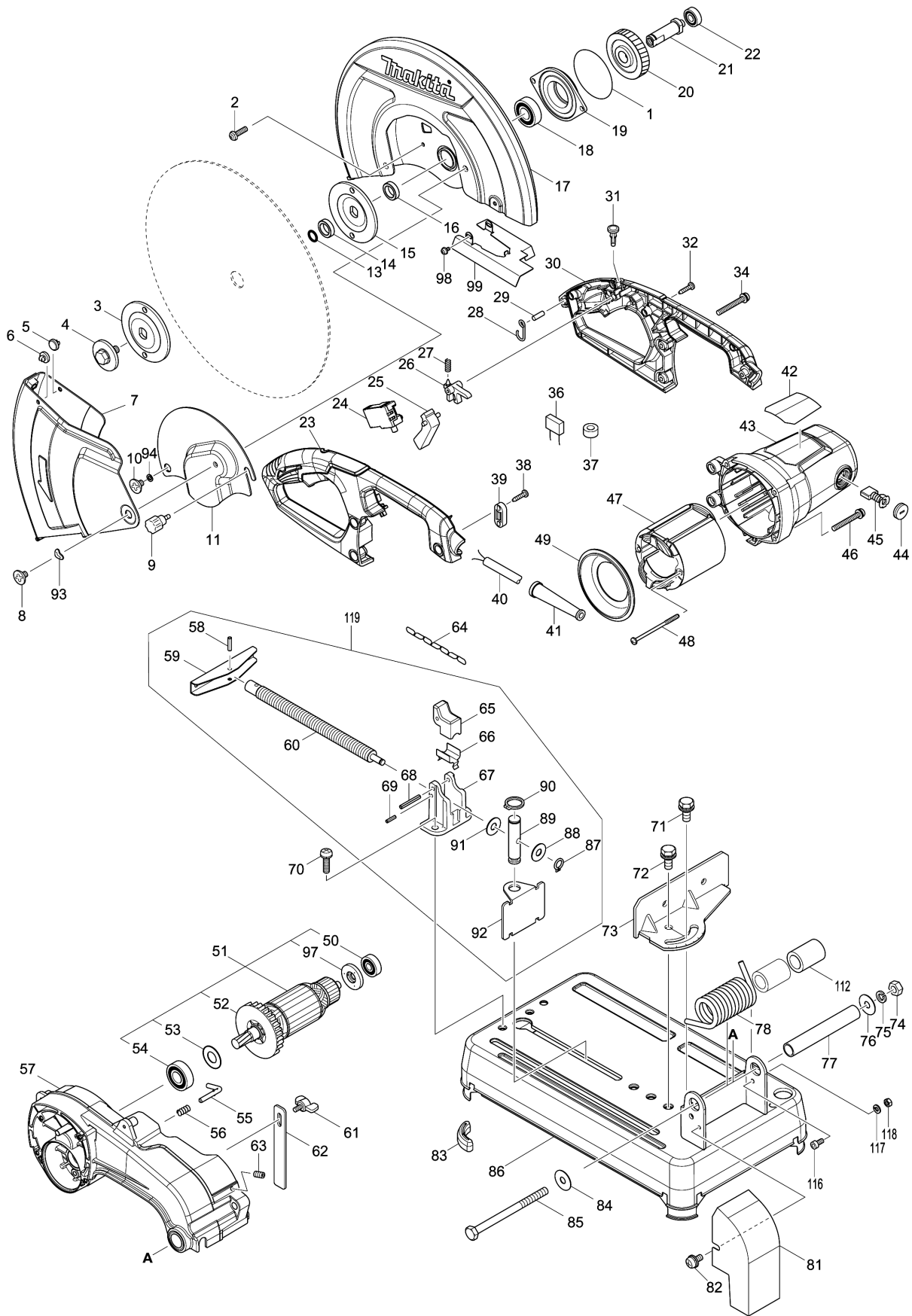


Model No.LW1401 355MM PORTABLE CUT-OFF



Model No.LW1401 355MM PORTABLE CUT-OFF

Item	Parts No.	Description	I/C	Qty	New/Old	Opt. 1	Opt. 2	Note
001	213858-0	O-RING 65		1				
002	265122-5	PAN HEAD SCREW M5X20		4				
003	224456-5	FLANGE 90		1				
004	251680-7	HEX. BOLT M10X25		1				
005	418142-0	PLUG		1				
006	418142-0	PLUG		1				
007	161401-8	SAFETY GUIDE		1				
008	265121-7	+ FLAT HEAD SCREW M6		1				
009	251488-9	THUMB SCREW M6X12		1				
010	265121-7	+ FLAT HEAD SCREW M6		1				
011	346968-9	CENTER COVER		1	*			
011-1	347095-5	CENTER COVER	<	1				
013	213180-5	O RING 14		1				
014	257255-0	RING 17		1				
015	224456-5	FLANGE 90		1				
016	257255-0	RING 17		1				
017	161400-0	SAFETY COVER		1				
018	211282-1	BALL BEARING 6203ZZ		1				
019	319393-7	BEARING BOX		1	*			
019-1	136029-1	BEARING BOX ASSY	<	1				
D10		INC. 1						
020	227811-0	HELICAL GEAR 50		1				
021	324321-9	SPINDLE		1				
022	210067-2	BALL BEARING 6000ZZ		1	*			
022-1	210199-5	BALL BEARING 6000ZZ	O	1				
023	183C14-3	HANDLE SET		1				
D10		INC. 30						
024	650716-3	SWITCH TGC31B		1				
025	418140-4	SWITCH LEVER		1				
026	418139-9	SWITCH LOCK		1				
027	231397-8	COMPRESSION SPRING 4		1				
028	281216-8	HANGER		1				
029	268101-2	PIN 6		1				
030	183C14-3	HANDLE SET		1				
D10		INC. 23						
031	411478-6	SWITCH BUTTON		1	*			
031-1	417113-4	SWITCH BUTTON	<	1				
032	266326-2	TAPPING SCREW 4X18		4				
034	265104-7	PAN HEAD SCREW M5X40		3				
036	645190-8	NOISE SUPPRESSOR		1				
037	688163-8	LINE FILTER		1				
038	266326-2	TAPPING SCREW 4X18		2				

Model No.LW1401 355MM PORTABLE CUT-OFF

Item	Parts No.	Description	I/C	Qty	New/Old	Opt. 1	Opt. 2	Note
039	687124-5	STRAIN RELIEF		1				
040	665872-6	POWER SUPPLY CORD 1.0-2-3.0		1				
041	682540-6	CORD GUARD 9.3-90		1				
042	851S55-0	LW1401 NAME PLATE		1				
043	143463-8	MOTOR HOUSING COMPLETE		1				
C10	643712-8	BRUSH HOLDER		2				
044	643700-5	BRUSH HOLDER CAP 7-18		2				
045	191953-5	CARBON BRUSH CB-203		1				
046	265104-7	PAN HEAD SCREW M5X40		4				
047	593908-0	FIELD ASS'Y 220V		1				
C10	654197-3	RING TERMINAL		2				
C20	654502-4	CONNECTOR P-2		2				
048	265A13-6	TAPPING SCREW 5X85		2				
049	418143-8	BAFFLE PLATE		1				
050	210070-3	BALL BEARING 6200ZZ		1				
051	513463-6	ARMATURE ASS'Y 220-240V		1				
D10		INC. 50,52-54,97						
052	240164-0	FAN 80		1				
053	267714-6	WASHER 15		1				
054	211240-7	BALL BEARING 6202ZZ		1				
055	324322-7	STOPPER		1				
056	233372-0	COMPRESSION SPRING 7		1				
057	143464-6	GEAR HOUSING COMPLETE		1	*			
C10	263029-9	RUBBER PIN 6		1	*			
057-1	143464-6	GEAR HOUSING COMPLETE	S	1	*			
C10	263029-9	RUBBER PIN 6		1	*			
057-2	140G83-1	GEAR HOUSING COMPLETE	<	1	*			
C10	263029-9	RUBBER PIN 6		1	*			
057-3	140D69-7	GEAR HOUSING COMPLETE	O	1				
C10	263029-9	RUBBER PIN 6		1				
058	951163-4	SPRING PIN 5-20		1				
059	272027-2	HANDLE 120		1				
060	324323-5	WISE SCREW		1	*			
060-1	326802-9	WISE SCREW	O	1				
063	266321-2	H.S.SET SCREW(FLAT POINT)M6X16		1				
064	282015-1	CHAIN		1				
065	313114-9	WISE NUT		1				
066	345311-9	PLATE		1				
067	317662-0	SCREW GUIDE		1				
068	951175-7	SPRING PIN 5-36		1				
069	951110-5	SPRING PIN 4-16		1				

Model No.LW1401 355MM PORTABLE CUT-OFF

Item	Parts No.	Description	I/C	Qty	New/Old	Opt. 1	Opt. 2	Note
070	265125-9	PAN HEAD SCREW M8X30		2				
071	265508-3	HEX.BOLT M10X25		1				
072	265508-3	HEX.BOLT M10X25		1				
073	346637-2	GUIDE PLATE		1	*			
073-1	347276-1	GUIDE PLATE	<	1				
074	252183-4	HEX.NUT M10-17		1				
075	942251-8	SPRING WASHER 10		1				
076	253197-6	FLAT WASHER 10		1				
077	331648-0	PIPE 20-128		1				
078	233633-8	TORSION SPRING 33		1				
081	165705-0	SPARK GUARD		1				
082	265144-5	PAN HEAD SCREW M6X12		1				
083	421834-2	CUSHION		3				
084	253197-6	FLAT WASHER 10		1				
085	265509-1	HEX.BOLT M10X140		1				
086	165373-9	BASE		1				
087	961004-6	RETAINING RING S-8		1				
088	267257-8	FLAT WASHER 8		1				
089	256545-8	PIN 16		1				
090	961056-7	RETAINING RING S-16		1				
091	267257-8	FLAT WASHER 8		1				
092	346636-4	WISE PLATE		1	*			
092-1	347277-9	WISE PLATE	<	1				
093	253903-9	WAVE WASHER 6		1				
094	941152-7	FLAT WASHER 6		1				
097	681630-2	INSULATION WASHER		1				
098	911103-4	PAN HEAD SCREW M4X6		2				
099	346971-0	SPARK COVER		1	*			
099-1	347275-3	SPARK COVER	<	1				
112	257390-4	SLEEVE 20		2	*			
112-1	257413-8	SLEEVE 20	O	2				
116	922311-2	HEX. SOCKET HEAD BOLT M6X12		1	*			
116-1	922312-0	HEX. SOCKET HEAD BOLT M6X12	S	1				
117	942151-2	SPRING WASHER 6		1	*			
117-1	253428-3	SPRING WASHER 6	O	1				
118	931302-2	HEX. NUT M6		1				
119	135708-8	WISE ASS'Y		1				
D10		INC. 58-60,65-69,87-92						
A02	782210-8	SOCKET WRENCH 17		1				

Please order the parts with part number.

Print Date 31/3/2020