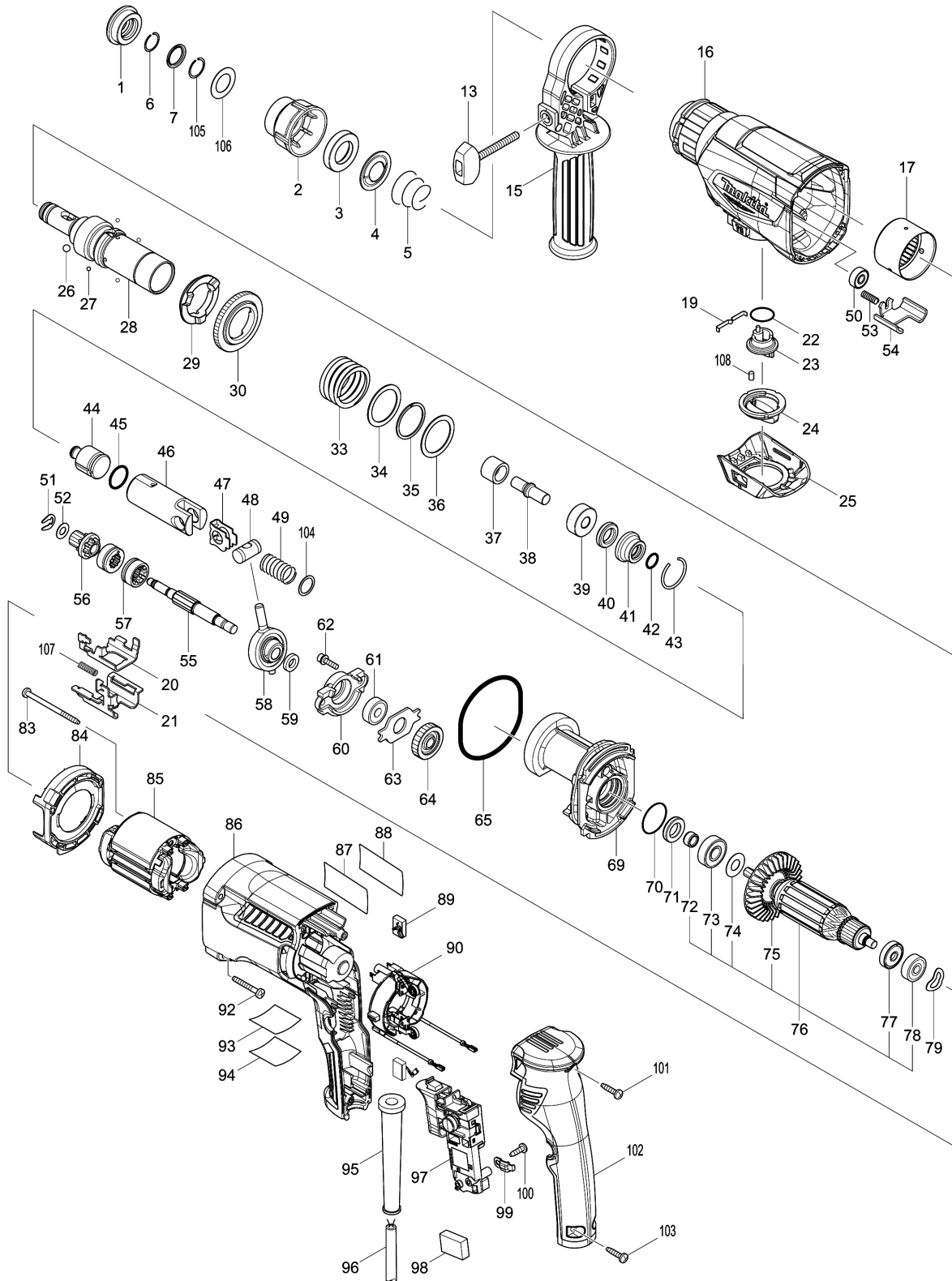


Model No.M8701 26MM COMBINATION HAMMER



Model No.M8701 26MM COMBINATION HAMMER

Item	Parts No.	Description	I/C	Qty	New/Old	Opt. 1	Opt. 2	Note
001	286288-8	CAP 35		1				
002	456529-8	CHUCK COVER		1				
003	325813-1	RING 21		1				
004	346177-0	GUIDE WASHER		1				
005	233916-6	CONICAL COMP. SPRING 21-29		1				
006	233989-9	RING SPRING 14		1				
007	346834-0	WASHER 16		1				
013	265795-4	THUMB SCREW M6X52		1				
015	452985-0	GRIP 34		1				
016	144216-8	GEAR HOUSING COMPLETE		1				
C10	213636-8	OIL SEAL 25		1				
017	143962-0	NEEDLE BEARING COMPLETE		1				
019	232286-0	LEAF SPRING		1				
020	347000-2	CHANGE PLATE B		1				
021	346999-8	CHANGE PLATE A		1				
022	213278-8	O RING 17		1				
023	455392-6	CHANGE LEVER		1				
024	455394-2	CHANGE LEVER CAP		1				
025	456528-0	CHANGE LEVER COVER		1				
026	216022-2	STEEL BALL 7.0		2				
027	216019-1	STEEL BALL 3		4				
028	144215-0	TOOL HOLDER COMPLETE		1				
C10	213344-1	OIL SEAL 9		1				
029	332139-4	DRIVING FLANGE		1				
030	227360-7	SPUR GEAR 51		1				
033	231899-4	COMPRESSION SPRING 31		1				
034	267153-0	FLAT WASHER 30		1				
035	257932-4	SPIRO LOCK WASHER 30		1				
036	267153-0	FLAT WASHER 30		1				
037	325782-6	SLEEVE 9A		1				
038	325789-2	IMPACT BOLT A		1				
039	325794-9	RING 10A		1				
040	424267-0	CUSHION RING 12		1				
041	325798-1	O-RING CASE A		1				
042	213073-6	O RING 9		1				
043	233979-2	RING SPRING 28		1				
044	325784-2	STRIKER		1				
045	213258-4	O RING 17.5		1				
046	310345-1	PISTON CYLINDER		1				
047	346036-8	GUIDE PLATE		1				
048	324215-8	PISTON JOINT		1				
049	234098-7	COMPRESSION SPRING 14		1				

Please order the parts with part number.

Print Date 31/3/2020

Model No.M8701 26MM COMBINATION HAMMER

Item	Parts No.	Description	I/C	Qty	New/Old	Opt. 1	Opt. 2	Note
050	210137-7	BALL BEARING 606ZZ		1				
051	257336-0	STOP RING EXT U-6		1				
052	253186-1	FLAT WASHER 7		1				
053	233360-7	COMPRESSION SPRING 4		1				
054	346998-0	LOCK PLATE		1				
055	326448-1	CAM SHAFT		1				
056	227359-2	SPUR GEAR 10		1				
057	310678-4	CLUTCH CAM		2				
058	219021-3	SWASH BEARING 10		1				
059	257321-3	RING 8		1				
060	310344-3	BEARING BOX		1				
061	210046-0	BALL BEARING 608ZZ		1				
062	266437-3	HEX. SOCKET HEAD BOLT M4X16		2				
063	285735-6	BEARING RETAINER		1				
064	227748-1	HELICAL GEAR 27		1				
065	213727-5	O-RING 63		1				
069	141664-2	INNER HOUSING COMPLETE		1				
C10	443153-6	FELT		1				
070	213407-3	O RING 26		1				
071	213678-2	OIL SEAL 12		1				
072	262571-7	SLEEVE 8		1				
073	211480-7	BALL BEARING 6000ZZ		1				
074	267213-8	FLAT WASHER 10		1				
075	240084-8	FAN 60		1				
076	513944-0	ARMATURE ASS'Y 240V		1				
D10		INC. 72-75,77,78						
077	681652-2	INSULATION WASHER		1				
078	210050-9	BALL BEARING 627ZZ		1				
079	267804-5	WAVE WASHER 15		1				
083	266334-3	TAPPING SCREW 4X60		2				
084	452984-2	BAFFLE PLATE		1				
085	633793-0	FIELD 220-240V		1				
086	452979-5	MOTOR HOUSING		1				
087	852T28-2	M8701 NAME PLATE		1				
088	890304-6	CLEAR LABEL		1				
089	194722-3	CARBON BRUSH CB-459		1				
090	638747-2	BRUSH HOLDER UNIT		1				
092	266361-0	TAPPING SCREW 4X30		4				
093	852T30-5	M8701 SERIAL NO. LABEL		1				
094	890297-7	CLEAR LABEL		1				
095	682566-8	CORD GUARD 10		1				

Model No.M8701 26MM COMBINATION HAMMER

Item	Parts No.	Description	I/C	Qty	New/Old	Opt. 1	Opt. 2	Note
096	695490-6	POWER SUPPLY CORD 1.0-2-4.0		1	*			
096-1	665890-4	POWER SUPPLY CORD 1.0-2-4.0	O	1				
097	650671-9	SWITCH TG853TB-1C		1				
098	645190-8	NOISE SUPPRESSOR		1				
099	687682-1	STRAIN RELIEF		1				
100	266385-6	TAPPING SCREW 4X14		1				
101	266326-2	TAPPING SCREW 4X18		1				
102	452981-8	HANDLE COVER		1				
103	266326-2	TAPPING SCREW 4X18		2				
104	267447-3	FLAT WASHER 14		1				
105	233992-0	RING SPRING 15		1				
106	267114-0	FLAT WASHER 17		1				
107	231900-5	COMPRESSION SPRING 5		1				
108	263005-3	RUBBER PIN 6		1				
A01	321144-6	DEPTH GAUGE		1				
A02	821660-3	PLASTIC CARRYING CASE		1				
C10	452432-1	SLIDE LATCH		2				
C20	806G57-9	MAKITA MT LOGO LABEL		1				
A03	810V59-9	M8701 PLASTIC CASE LABEL		2				

Please order the parts with part number.

Print Date 31/3/2020