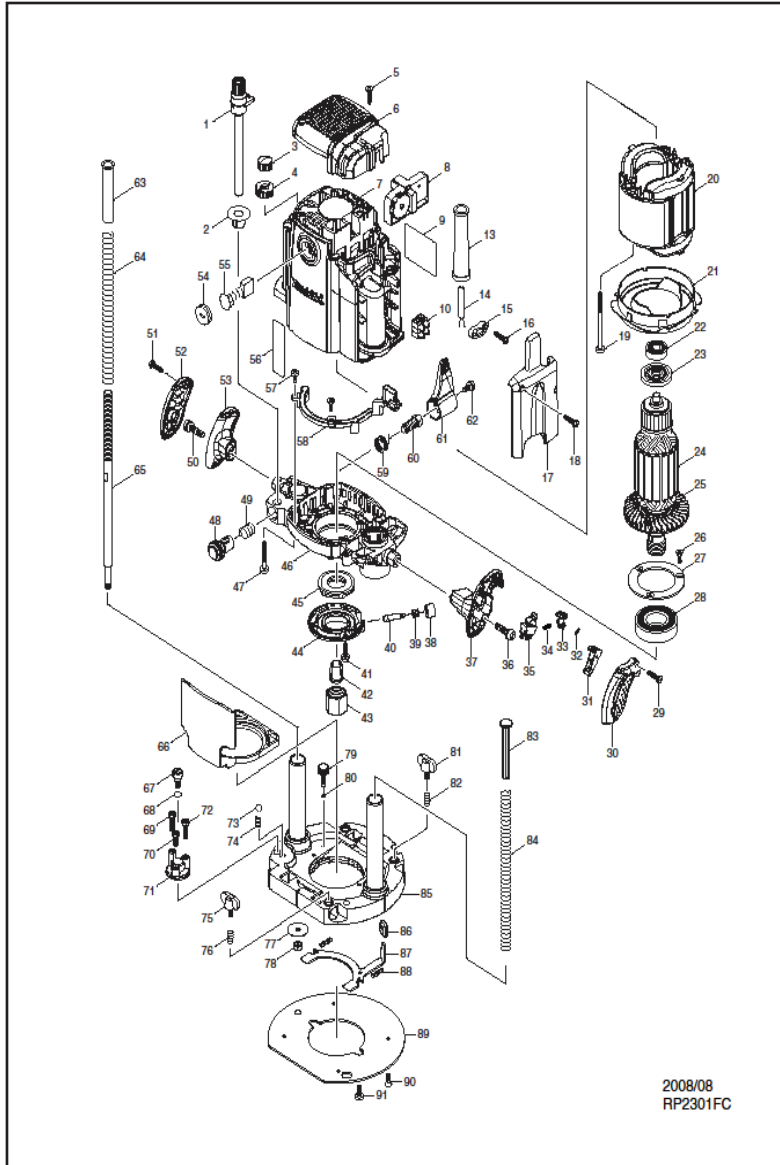


# RP2301FC



REF.	CODE	DESCRIPTION	UNIT	LIST	REF.	CODE	DESCRIPTION	UNIT	
001	125542-4	THUMB SCREW M10X115	PC		056	816926-4	INDICATION LABEL	PC	
002	450946-4	DEPTH POINTER	PC		057	266026-4	TAPPING SCREW BIND CT 4X12	PC	
003	252643-6	WING NUT M10	PC		058	631862-1	LED CIRCUIT	PC	
004	410129-8	NYLON NUT M10	PC		059	233538-2	TORSION SPRING 15	PC	
005	265995-6	TAPPING SCREW 4X18	PC		060	266015-9	SET BOLT M10	PC	
006	450947-2	REAR COVER	PC		061	450950-3	LOCK LEVER	PC	
007	140004-1	MOTOR HOUSING COMP	PC			062	911213-7	PAN HEAD SCREW M5X12	PC
C10	643707-1	BRUSH HOLDER	PC		063	450943-0	SILENT POLE	PC	
C20	638649-2	SUPPORT UNIT	PC		064	234106-4	COMPRESSION SPRING 13	PC	
C30	816922-2	SCALE PLATE	PC		065	325652-9	SCREW M10	PC	
008	631858-2	CONTROLLER	PC		066	450953-7	TIP DEFLECTOR	PC	
008	631859-0	CONTROLLER	PC		067	251467-7	FLAT HEAD SCREW M6	PC	
009	866381-0	NAME PLATE	PC		068	213030-4	O RING 8	PC	
010	654531-7	TERMINAL BLOCK 2P	PC		069	265587-1	HEX BOLT M5X20	PC	
013	682505-8	CORD GUARD 10-90	PC		070	265586-3	HEX BOLT M5X14	PC	
013	682506-6	CORD GUARD 12-90	PC		071	315931-3	STOPPER	PC	
014	66555-8	POWER SUPPLY CORD 2.5-2-4.0	PC			072	265587-1	HEX BOLT M5X20	PC
014	692623-4	POWER SUPPLY CORD 1.5-2-4.0	PC			073	216009-4	STEEL BALL 7.1	PC
015	687053-2	STRAIN RELIEF	PC		074	231419-4	COMPRESSION SPRING 6	PC	
015	687054-0	STRAIN RELIEF	PC		075	265720-5	THUMB SCREW M5X14	PC	
016	265995-6	TAPPING SCREW 4X18	PC		076	231240-1	COMPRESSION SPRING 7	PC	
017	450949-8	COVER	PC		077	253783-3	FLAT WASHER 6	PC	
018	265995-6	TAPPING SCREW 4X18	PC		078	931303-0	HEX NUT M6	PC	
019	266059-9	TAPPING SCREW 5X75	PC		079	265774-2	THUMB SCREW M4X19	PC	
020	636011-5	FIELD 115V	PC		080	213022-3	O RING 3	PC	
020	636014-9	FIELD 115V	PC		081	265720-5	THUMB SCREW M5X14	PC	
021	450944-8	BAFFLE PLATE	PC		082	231240-1	COMPRESSION SPRING 7	PC	
022	211092-6	BALL BEARING 692DDW	PC		083	417252-0	POLE	PC	
023	681631-0	INSULATION WASHER	PC		084	234105-6	COMPRESSION SPRING 11	PC	
024	517810-3	ARMATURE ASSY 100-115V	PC			085	158973-2	BASE COMPLETE	PC
D10		INC. 222325			086	424176-3	CAP 14	PC	
024A	517814-5	ARMATURE ASSY 240V	PC		087	346032-6	LOCK PLATE	PC	
024A		INC. 222325			088	233105-3	COMPRESSION SPRING 4	PC	
025	240112-9	FAN 80	PC		089	450951-1	BASE PLATE	PC	
026	251295-0	C/SUNK HEAD SCREW	PC		090	912112-6	C/SUNK HEAD SCREW M4X10	PC	
027	285731-4	BEARING RETAINER 60	PC		091	266016-7	SET BOLT M5X10	PC	
028	211380-1	BALL BEARING 6205DDW	PC		A01	122850-4	DUST NOZZLE ASSY	PC	
029	265995-6	TAPPING SCREW 4X18	PC		C10	213022-3	O RING 3	PC	
030	450937-5	GRIP COVER R	PC		C20	265774-2	THUMB SCREW M4X19	PC	
031	450940-6	SWITCH LEVER	PC		A02	266491-7	PAN HEAD SCREW M6X135	PC	
032	233024-3	COMPRESSION SPRING 4	PC		A03	763803-0	COLLET SLEEVE FOR 1/4" BIT	PC	
033	450941-4	LOCK OFF BUTTON	PC		A04	763805-6	COLLET SLEEVE FOR 3/8" BIT	PC	
034	231372-4	COMPRESSION SPRING 5	PC		A05	781030-7	WRENCH 24	PC	
035	651430-4	SWITCH	PC		A06	941152-7	FLAT WASHER 6	PC	
036	911343-4	PAN HEAD SCREW M6X25	PC			A07	194732-0	STRAIGHT GUIDE SET	PC
037	450936-7	GRIP R	PC		C11	125543-2	THUMB SCREW M10X52 ASSY	PC	
038	450942-4	PUSH BUTTON	PC		C16	231399-4	COMPRESSION SPRING 15	PC	
039	233072-2	COMPRESSION SPRING 8	PC			C21	251870-2	SCREW M6X50	PC
040	268234-3	COLLARED PIN 6	PC		C26	256864-2	ROD 10	PC	
041	911133-5	PAN HEAD SCREW M4X18	PC			C31	257284-3	RING 10	PC
042	763622-4	COLLET CONE 1/2"	PC		C36	265720-5	THUMB SCREW M5X14	PC	
043	763674-5	COLLET NUT	PC		C41	266035-3	TAPPING SCREW BIND CT 5X12	PC	
044	318382-9	RETAINER COVER	PC		C42	267070-4	FLAT WASHER 10	PC	
045	285849-1	RETAINER	PC		C51	267209-9	FLAT WASHER 5	PC	
046	158972-4	MOTOR BRACKET COMP	PC			C56	318383-7	STRAIGHT GUIDE	PC
047	266012-5	TAPPING SCREW 5X35	PC		C61	318384-5	GUIDE HOLDER	PC	
048	153476-1	HALF NUT COMP	PC		C66	346069-3	PRESSURE PLATE	PC	
049	231231-2	COMPRESSION SPRING 12	PC			C71	450954-5	GUIDE SHOE	PC
050	911343-4	PAN HEAD SCREW M6X25	PC			C76	819284-7	MAKITA LOGO LABEL	PC
051	265995-6	TAPPING SCREW 4X18	PC		C81	911129-6	PAN HEAD SCREW M4X16	PC	
052	450939-1	GRIP COVER L	PC		C86	961012-7	STOP RING E-6	PC	
053	450938-3	GRIP L	PC		A08	158980-5	KNOB 55 COMPLETE	PC	
054	643700-5	BRUSH HOLDER CAP 7-18	PC			A08A	158980-5	KNOB 55 COMPLETE	PC
055	191953-5	CARBON BRUSH CB-203	PC						