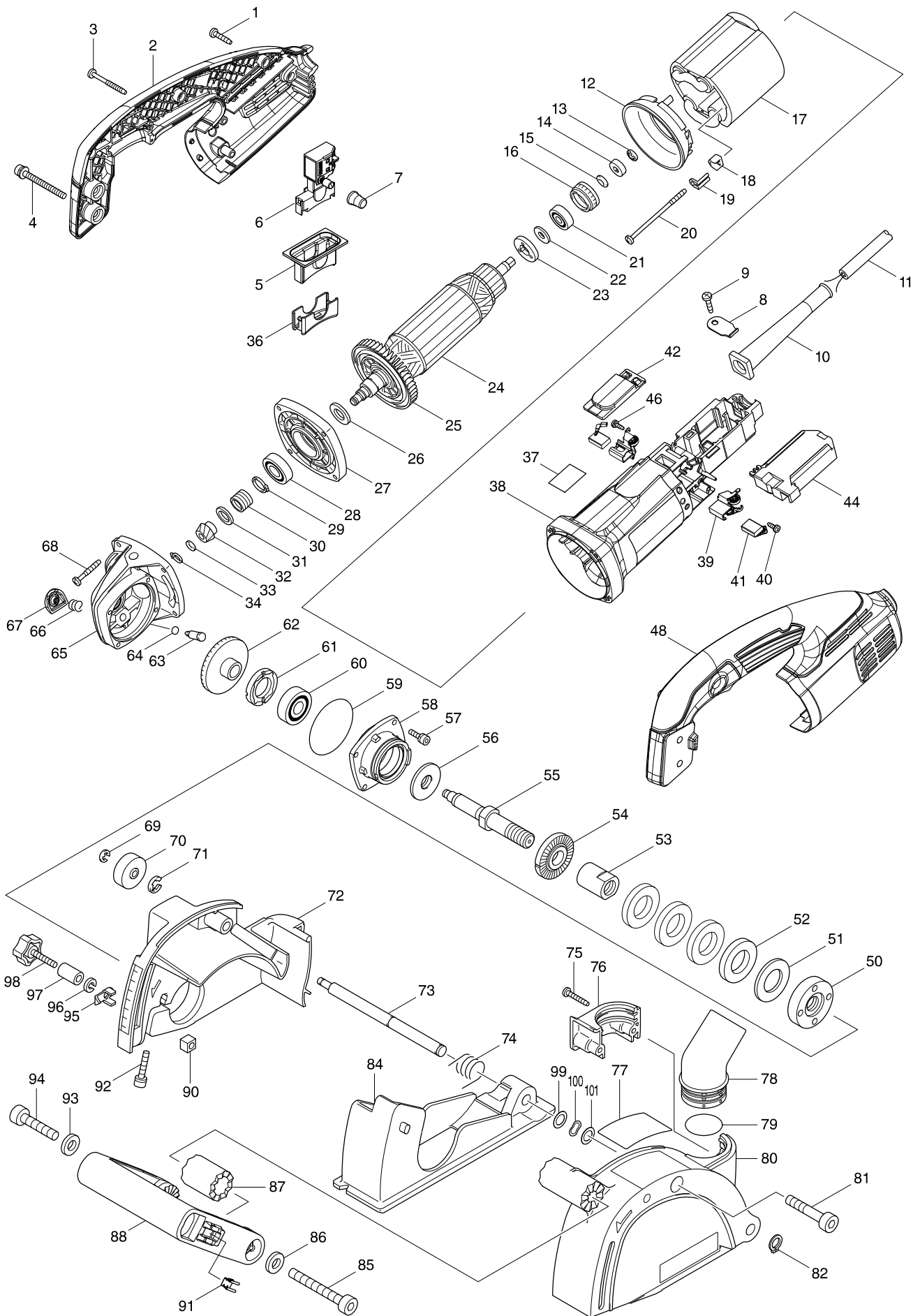


Model No. SG1251 125MM(5")WALL CHASER



Model No. SG1251 125MM(5")WALL CHASER

| Item | Parts No. | Description | I/C | QTY | N/O | Opt. 1 | Opt. 2 | NOTE |
|------|-----------|------------------------------|-----|-----|-----|--------|--------|------|
| 001 | 265995-6 | TAPPING SCREW 4X18 | | 3 | | 100 | | |
| 002 | 187942-6 | HANDLE SET | | 1 | | | | |
| D10 | | INC. 48 | | | | | | |
| 003 | 266048-4 | TAPPING SCREW 4X40 | | 3 | | 100 | | |
| 004 | 911263-2 | PAN HEAD SCREW M5X40 | | 2 | | 100 | | |
| 005 | 424457-5 | DUST COVER | | 1 | | | | |
| 006 | 650113-3 | SWITCH SGEL115CDY-15 | | 1 | | | | |
| 007 | 421459-2 | DUST COVER | | 1 | | 100 | | |
| 008 | 687169-3 | STRAIN RELIEF | | 1 | | 100 | | |
| 009 | 266192-7 | TAPPING SCREW 4X14 | | 1 | | 100 | | |
| 010 | 682573-1 | CORD GUARD 10 | | 1 | | 100 | | |
| 011A | 695237-8 | POWER SUPPLY CORD 1.5-2-5.0 | | 1 | | 100 | | |
| 011B | 692541-6 | POWER SUPPLY CORD 1.00-2-5.0 | | 1 | | | | |
| 012 | 413076-2 | BAFFLE PLATE | | 1 | | 100 | | |
| 013 | 259039-2 | SELF LOCK 6 | | 1 | | 100 | | |
| 014 | 688117-5 | MAGNET SLEEVE | | 1 | | 100 | | |
| 015 | 267756-0 | WAVE WASHER 6 | | 1 | | 100 | | |
| 016 | 421738-8 | LABYRINTH RUBBER RING 22 | | 1 | | 100 | | |
| 017A | 626676-1 | FIELD 115V | | 1 | | | | |
| 017B | 626678-7 | FIELD 220-240V | | 1 | | | | |
| 018 | 417237-6 | INSULATION COVER | | 2 | | 100 | | |
| 019 | 344871-8 | RETAINER | | 2 | | 100 | | |
| 020 | 266258-3 | TAPPING SCREW 4X70 | | 2 | | 100 | | |
| 021 | 210027-4 | BALL BEARING 627DDW | | 1 | | 100 | | |
| 022 | 253823-7 | FLAT WASHER 7 | | 1 | | 100 | | |
| 023 | 681656-4 | INSULATION WASHER | | 1 | | 100 | | |
| D10 | | INC. 21-23,25 | | | | | | |
| 024A | 515330-1 | ARMATURE ASS'Y 100-110V | | 1 | | 151 | | |
| 024B | 515208-8 | ARMATURE ASS'Y 220-240V | | 1 | | 151 | | |
| 025 | 240033-5 | FAN 57 | | 1 | | 100 | | |
| 026 | 253084-9 | FLAT WASHER 12 | | 1 | | 100 | | |
| 027 | 317359-1 | GEAR HOUSING COVER | | 1 | | 100 | | |
| 028 | 210105-0 | BALL BEARING 6001LLU | | 1 | | 100 | | |
| 029 | 961052-5 | RETAINING RING S-12 | | 1 | | 100 | | |
| 030 | 233901-9 | LOCK SPRING 12 | | 1 | | 100 | | |
| 031 | 253052-2 | FLAT WASHER 12 | | 1 | | 100 | | |
| 032 | 227429-7 | SPIRAL BEVEL GEAR 9 | | 1 | | 100 | | |
| 033 | 253077-6 | FLAT WASHER 6 | | 1 | | 100 | | |
| 034 | 961002-0 | RETAINING RING S-6 | | 1 | | 100 | | |
| 036 | 452942-8 | SWITCH COVER | | 1 | | | | |
| 037 | 804W32-5 | SJS MARK LABEL | | 1 | | | | |
| 038 | 455385-3 | MOTOR HOUSING | | 1 | | | | |
| 039 | 643760-7 | BRUSH HOLDER | | 2 | | 100 | | |
| 040 | 266256-7 | TAPPING SCREW PT3X10 | | 2 | | 100 | | |
| 041 | 191978-9 | A.C. CARBON BRUSH CB-318 | | 1 | | 100 | | |
| 042 | 455386-1 | MOTOR HOUSING COVER | | 1 | | | | |
| 044A | 620337-5 | CONTROLLER | | 1 | | | | |
| 044B | 620336-7 | CONTROLLER | | 1 | | | | |

Model No. SG1251 125MM(5")WALL CHASER

| Item | Parts No. | Description | I/C | QTY | N/O | Opt. 1 | Opt. 2 | NOTE |
|------|-----------|-----------------------------|-----|-----|-----|--------|--------|------|
| 046 | 266256-7 | TAPPING SCREW PT3X10 | | 2 | | 100 | | |
| 048 | 187942-6 | HANDLE SET | | 1 | | | | |
| D10 | | INC. 2 | | | | | | |
| 050 | 224577-3 | LOCK NUT 14-45 | | 1 | | 100 | | |
| 051 | 331661-8 | SPACER 3 | | 1 | | 100 | | |
| 052 | 331662-6 | SPACER 6 | | 4 | | 100 | | |
| 053 | 257732-2 | SLEEVE 14 | | 1 | | 100 | | |
| 054 | 224415-9 | INNER FLANGE 42 | | 1 | | 100 | | |
| 055 | 324393-4 | SPINDLE | | 1 | | 100 | | |
| 056 | 415300-9 | LABYRINTH RING | | 1 | | 100 | | |
| 057 | 265490-6 | HEX. SOCKET HEAD BOLT M4X16 | | 4 | | 100 | | |
| 058 | 318302-3 | BEARING BOX | | 1 | | 100 | | |
| 059 | 213673-2 | O RING 52 | | 1 | | 100 | | |
| 060 | 211129-9 | BALL BEARING 6201DDW | | 1 | | 100 | | |
| 061 | 285841-7 | BEARING RETAINER | | 1 | | 100 | | |
| 062 | 227430-2 | SPIRAL BEVEL GEAR 35 | | 1 | | 100 | | |
| 063 | 256459-1 | PIN | | 1 | | 100 | | |
| 064 | 213048-5 | O RING 6 | | 1 | | 100 | | |
| 065 | 153488-4 | GEAR HOUSING COMPLETE | | 1 | | 100 | | |
| 066 | 233072-2 | COMPRESSION SPRING 8 | | 1 | | 100 | | |
| 067 | 418067-8 | PIN CAP | | 1 | | 100 | | |
| 068 | 266257-5 | TAPPING SCREW 4X28 | | 4 | | 100 | | |
| 069 | 961011-9 | STOP RING E-4 | | 1 | | 100 | | |
| 070 | 257227-5 | RING 6 | | 1 | | 100 | | |
| 071 | 961014-3 | STOP RING E-8 | | 1 | | 100 | | |
| 072 | 153685-2 | BLADE CASE COMPLETE | | 1 | | 100 | | |
| 073 | 324392-6 | SHOULDER SHAFT | | 1 | | 100 | | |
| 074 | 231655-2 | TORSION SPRING 11 | | 1 | | 100 | | |
| 075 | 266040-0 | TAPPING SCREW CT 4X25 | | 2 | | 100 | | |
| 076 | 418390-1 | DUST COVER | | 1 | | 100 | | |
| 077 | 850F04-6 | SG1251 NAME PLATE | | 1 | | | | |
| 078 | 416741-2 | ELBOW | | 1 | | 100 | | |
| 079 | 213423-5 | O RING 30 | | 1 | | 100 | | |
| 080 | 317725-2 | COVER | | 1 | | | | |
| 081 | 922466-3 | HEX.SOCKET HEAD BOLT M8X45 | | 1 | | 100 | | |
| 082 | 961006-2 | RETAINING RING S-10 | | 1 | | 100 | | |
| 084 | 317723-6 | BASE | | 1 | | 100 | | |
| 085 | 922487-5 | HEX. SOCKET HEAD BOLT M8X65 | | 1 | | 100 | | |
| 086 | 941201-0 | FLAT WASHER 8 | | 1 | | 100 | | |
| 087 | 223145-9 | CAM | | 1 | | 100 | | |
| 088 | 417665-5 | FRONT GRIP | | 1 | | 100 | | |
| 090 | 252185-0 | SQUARE NUT M6 | | 1 | | 100 | | |
| 091 | 344391-2 | BIT HOLDER | | 1 | | | | |
| 092 | 922251-4 | HEX. SOCKET HEAD BOLT M5X30 | | 1 | | 100 | | |
| 093 | 941201-0 | FLAT WASHER 8 | | 1 | | 100 | | |
| 094 | 922462-1 | HEX. SOCKET HEAD BOLT M8X40 | | 1 | | 100 | | |
| 095 | 345364-8 | INDICATOR | | 1 | | 100 | | |
| 096 | 942151-2 | SPRING WASHER 6 | | 1 | | 100 | | |

