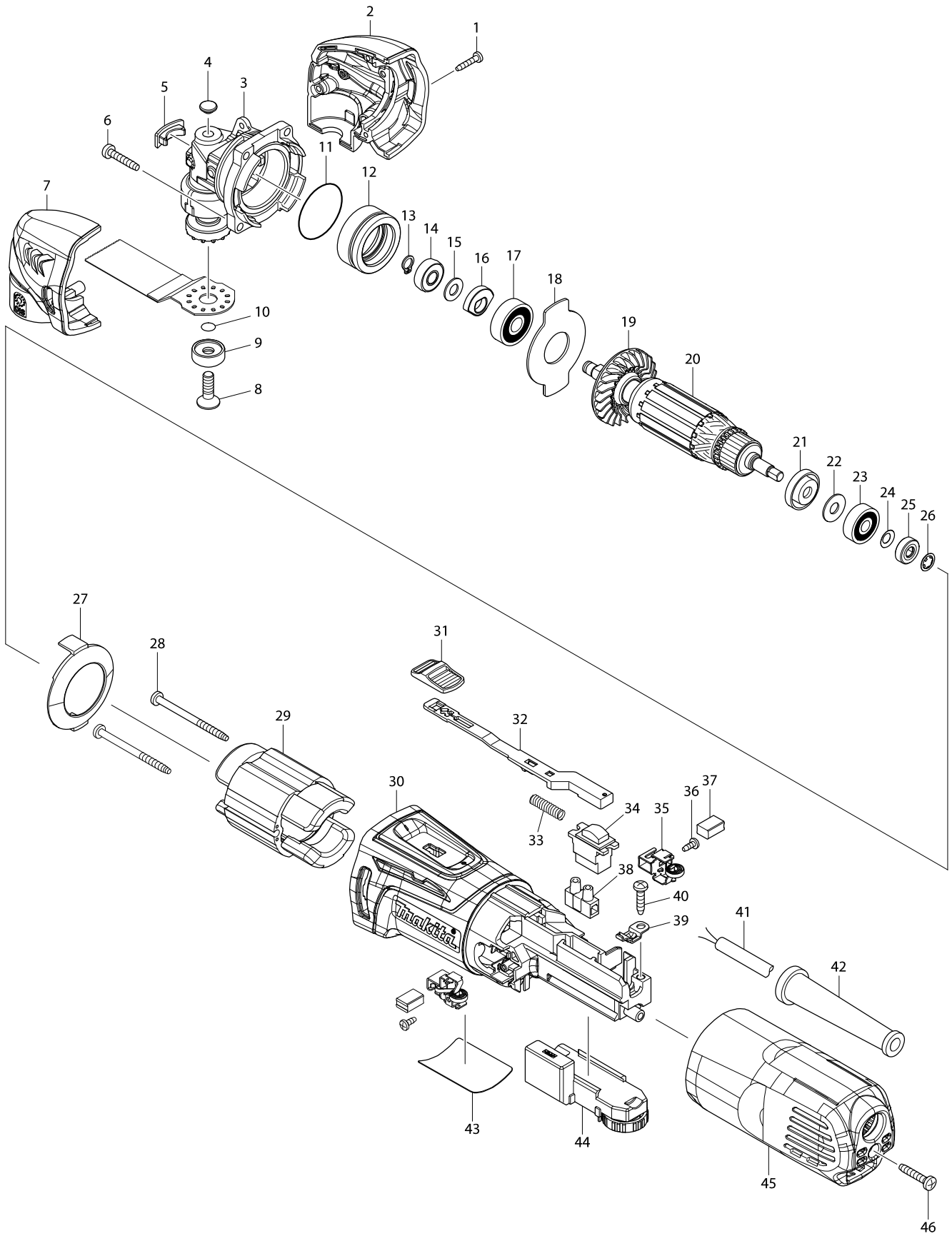


Model No. TM3000C MULTI TOOL



Model No. TM300C MULTI TOOL

Item	Parts No.	Description	I/C	QTY	N/O	Opt. 1	Opt. 2	NOTE
001	266429-2	TAPPING SCREW 3X16		3		100		
002	187373-9	HEAD COVER SET		1		100		
D10		INC. 7						
003A	141640-6	CRANK HOUSING COMPLETE		1	*	100		
003B	141640-6	CRANK HOUSING COMPLETE		1	*	100		
003C	141640-6	CRANK HOUSING COMPLETE		1	*	100		
003D	141640-6	CRANK HOUSING COMPLETE		1	*	100		
003E	141640-6	CRANK HOUSING COMPLETE		1	*	100		
003F	141640-6	CRANK HOUSING COMPLETE		1	*	100		
003-1A	142075-4	CRANK HOUSING COMPLETE	<	1	*	100		
003-1B	142075-4	CRANK HOUSING COMPLETE	<	1	*	100		
003-1C	142075-4	CRANK HOUSING COMPLETE	<	1	*	100		
003-1D	142075-4	CRANK HOUSING COMPLETE	<	1	*	100		
003-1E	142075-4	CRANK HOUSING COMPLETE	<	1	*	100		
003-1F	142075-4	CRANK HOUSING COMPLETE	<	1	*	100		
003-1G	142075-4	CRANK HOUSING COMPLETE		1	*	100		
003-1H	142075-4	CRANK HOUSING COMPLETE		1	*	100		
003-1I	142075-4	CRANK HOUSING COMPLETE		1	*	100		
003-1J	142075-4	CRANK HOUSING COMPLETE		1	*	100		
003-2A	142399-8	CRANK HOUSING COMPLETE	<	1		100		
003-2B	142399-8	CRANK HOUSING COMPLETE	<	1		100		
003-2C	142399-8	CRANK HOUSING COMPLETE	<	1		100		
003-2D	142399-8	CRANK HOUSING COMPLETE	<	1		100		
003-2E	142399-8	CRANK HOUSING COMPLETE	<	1		100		
003-2F	142399-8	CRANK HOUSING COMPLETE	<	1		100		
003-2G	142399-8	CRANK HOUSING COMPLETE	<	1		100		
003-2H	142399-8	CRANK HOUSING COMPLETE	<	1		100		
003-2I	142399-8	CRANK HOUSING COMPLETE	<	1		100		
003-2J	142399-8	CRANK HOUSING COMPLETE	<	1		100		
003-2K	142399-8	CRANK HOUSING COMPLETE		1		100		
004	424511-5	CRANK HOUSING CAP B		1		100		
005	424510-7	CRANK HOUSING CAP A		1		100		
006	266424-2	TAPPING SCREW 4X20		4		100		
007	187373-9	HEAD COVER SET		1		100		
D10		INC. 2						
008	266783-4	HEX.SOCKET C.S.H.SCREW M6X20		1		100		
009	224455-7	OUTER FLANGE 22		1		100		
010	213021-5	O RING 5		1		100		
011	213479-8	O RING 33		1		100		
012	326199-6	BEARING BOX		1		100		
013	961003-8	RETAINING RING S-7		1		100		
014	211392-4	SPHERE BEARING 706		1		100		
015	253133-2	FLAT WASHER 7		1		100		
016	313245-4	BALANCER		1		100		
017	211092-6	BALL BEARING 629DDW		1		100		
018	285857-2	BEARING RETAINNER		1		100		
019	240140-4	FAN 46		1		100		
D10		INC. 19,21-26						

Model No. TM300C MULTI TOOL

Item	Parts No.	Description	I/C	QTY	N/O	Opt. 1	Opt. 2	NOTE
020A	517681-8	ARMATURE ASSEMBLY 115V		1	151			
020B	517683-4	ARMATURE ASSEMBLY 220-240V		1	151			
020C	517683-4	ARMATURE ASSEMBLY 220-240V		1	151			
020D	517681-8	ARMATURE ASSEMBLY 115V		1	151			
020E	517683-4	ARMATURE ASSEMBLY 220-240V		1	151			
020F	517681-8	ARMATURE ASSEMBLY 115V		1	151			
020G	517683-4	ARMATURE ASSEMBLY 220-240V		1	151			
020H	517681-8	ARMATURE ASSEMBLY 115V		1	151			
020I	517683-4	ARMATURE ASSEMBLY 220-240V		1	151			
020J	517681-8	ARMATURE ASSEMBLY 115V		1	151			
020K	517683-4	ARMATURE ASSEMBLY 220-240V		1	151			
021	681636-0	INSULATION WASHER		1	100			
022	267426-1	FLAT WASHER 7		1	100			
023	210023-2	BALL BEARING 627DDW		1	100			
024	267756-0	WAVE WASHER 6		1	100			
025	688174-3	MAGNET SLEEVE		1	*	100		
025-1	688117-5	MAGNET SLEEVE	O	1	100			
026	259039-2	SELF LOCK 6		1	100			
027	453828-9	BAFFLE PLATE		1	100			
028	266415-3	TAPPING SCREW 4X55		2	100			
029A	623556-2	FIELD 115V		1	152			
029B	623558-8	FIELD 220-240V		1	152			
029C	623558-8	FIELD 220-240V		1	152			
029D	623556-2	FIELD 115V		1	152			
029E	623558-8	FIELD 220-240V		1	152			
029F	623556-2	FIELD 115V		1	152			
029G	623558-8	FIELD 220-240V		1	152			
029H	623556-2	FIELD 115V		1	152			
029I	623558-8	FIELD 220-240V		1	152			
029J	623556-2	FIELD 115V		1	152			
029K	623558-8	FIELD 220-240V		1	152			
030	453823-9	MOTOR HOUSING		1	100			
031	453761-5	SWITCH KNOB		1	100			
032	453825-5	SWITCH LEVER		1	100			
033	234263-8	COMPRESSION SPRING 5		1	100			
034	651609-7	SWITCH SS106A-7-1		1	100			
035	643839-4	BRUSH HOLDER 6X9		2	100			
036	266492-5	TAPPING SCREW 3X8		2	100			
037	194722-3	CARBON BRUSH CB-459		1	100			
038	654532-5	TERMINAL BLOCK 1P		1	100			
039	687682-1	STRAIN RELIEF		1	100			
040	266326-2	TAPPING SCREW 4X18		1	100			
041A	665937-4	POWER SUPPLY CORD 1.0-2-5.0		1	100			
041B	692541-6	POWER SUPPLY CORD 1.00-2-5.0		1				
041C	692541-6	POWER SUPPLY CORD 1.00-2-5.0		1				
041D	665937-4	POWER SUPPLY CORD 1.0-2-5.0		1	100			
041E	692541-6	POWER SUPPLY CORD 1.00-2-5.0		1				
041F	665937-4	POWER SUPPLY CORD 1.0-2-5.0		1	100			

Model No. TM3000C MULTI TOOL

Item	Parts No.	Description	I/C	QTY	N/O	Opt. 1	Opt. 2	NOTE
041G	692541-6	POWER SUPPLY CORD 1.00-2-5.0		1				
041H	665937-4	POWER SUPPLY CORD 1.0-2-5.0		1		100		
041I	692541-6	POWER SUPPLY CORD 1.00-2-5.0		1				
041J	665937-4	POWER SUPPLY CORD 1.0-2-5.0		1		100		
041K	692541-6	POWER SUPPLY CORD 1.00-2-5.0		1				
042	682516-3	CORD GUARD 9.3-85		1		100		
043	897303-9	TM3000C NAME PLATE		1		100		
044A	620148-8	CONTROLLER		1		100		
044B	620149-6	CONTROLLER		1		100		
044C	620149-6	CONTROLLER		1		100		
044D	620148-8	CONTROLLER		1		100		
044E	620149-6	CONTROLLER		1		100		
044F	620148-8	CONTROLLER		1		100		
044G	620149-6	CONTROLLER		1		100		
044H	620148-8	CONTROLLER		1		100		
044I	620149-6	CONTROLLER		1		100		
044J	620148-8	CONTROLLER		1		100		
044K	620149-6	CONTROLLER		1		100		
045	453824-7	REAR COVER		1		100		
046	266424-2	TAPPING SCREW 4X20		1		100		
A01	410047-0	WRENCH HOLDER 5.6		1		100		
A02	783203-8	HEX. WRENCH 5		1				
A03C	196144-3	TOOL SET R		1	*			
A03D	196144-3	TOOL SET R		1	*			
A03E	196145-1	TOOL SET S		1	*			
A03F	196145-1	TOOL SET S		1	*			
A03G	454247-2	PIN 4		4				
A03H	454247-2	PIN 4		4				
A03I	454247-2	PIN 4		4				
A03J	454247-2	PIN 4		4				
A03K	454247-2	PIN 4		4				
A04C	821537-2	PLASTIC CARRYING CASE		1	*			
C10	162315-4	LATCH		2	*	100		
C20	452137-3	HANDLE		1	*	100		
A04D	821537-2	PLASTIC CARRYING CASE		1	*			
C10	162315-4	LATCH		2	*	100		
C20	452137-3	HANDLE		1	*	100		
A04E	821537-2	PLASTIC CARRYING CASE		1	*			
C10	162315-4	LATCH		2	*	100		
C20	452137-3	HANDLE		1	*	100		
A04F	821537-2	PLASTIC CARRYING CASE		1	*			
C10	162315-4	LATCH		2	*	100		
C20	452137-3	HANDLE		1	*	100		
A04G	821538-0	TOOL BOX		1				
A04H	821538-0	TOOL BOX		1				
A04I	821550-0	CONNECTOR PLASTIC CASE (TYPE2)		1	*			
C10	453974-8	LATCH		4	*	100		
A04J	821550-0	CONNECTOR PLASTIC CASE (TYPE2)		1	*			

Model No. TM3000C MULTI TOOL

Item	Parts No.	Description	I/C	QTY	N/O	Opt. 1	Opt. 2	NOTE
C10	453974-8	LATCH		4	*	100		
A04K	821538-0	TOOL BOX		1				
A04-1C	821596-6	PLASTIC CARRYING CASE	<	1				
C10	162315-4	LATCH		2		100		
C20	452137-3	HANDLE		1		100		
A04-1D	821596-6	PLASTIC CARRYING CASE	<	1				
C10	162315-4	LATCH		2		100		
C20	452137-3	HANDLE		1		100		
A04-1E	821596-6	PLASTIC CARRYING CASE	<	1				
C10	162315-4	LATCH		2		100		
C20	452137-3	HANDLE		1		100		
A04-1F	821596-6	PLASTIC CARRYING CASE	<	1				
C10	162315-4	LATCH		2		100		
C20	452137-3	HANDLE		1		100		
A04-1I	821550-0	CONNECTOR PLASTIC CASE (TYPE2)	<	1				
C10	453974-8	LATCH		4		100		
A04-1J	821550-0	CONNECTOR PLASTIC CASE (TYPE2)	<	1				
C10	453974-8	LATCH		4		100		
A05C	800F14-3	TM3000CX3 PLASTIC CASE LABEL		2				
A05D	800F14-3	TM3000CX3 PLASTIC CASE LABEL		2				
A05E	800F15-1	TM3000CX4 PLASTIC CASE LABEL		2				
A05F	800F15-1	TM3000CX4 PLASTIC CASE LABEL		2				
A05G	821550-0	CONNECTOR PLASTIC CASE (TYPE2)		1	*			
C10	453974-8	LATCH		4	*	100		
A05H	821550-0	CONNECTOR PLASTIC CASE (TYPE2)		1	*			
C10	453974-8	LATCH		4	*	100		
A05I	837673-4	INNER TRAY		1				
A05J	837673-4	INNER TRAY		1				
A05-1G	821550-0	CONNECTOR PLASTIC CASE (TYPE2)	<	1				
C10	453974-8	LATCH		4		100		
A05-1H	821550-0	CONNECTOR PLASTIC CASE (TYPE2)	<	1				
C10	453974-8	LATCH		4		100		
A05-1K	821550-0	CONNECTOR PLASTIC CASE (TYPE2)		1				
C10	453974-8	LATCH		4		100		
A06C	196022-7	DUST ATTACHMENT SET		1				
C10	443177-2	FELT RING 37		1				
C20	453829-7	DUST ATTACHMENT		1				
C30	453832-8	JOINT		1				
C40	453834-4	DUST NOZZLE A		1				
C50	453835-2	NOZZLE BAND A		1				
A06D	196022-7	DUST ATTACHMENT SET		1				
C10	443177-2	FELT RING 37		1				
C20	453829-7	DUST ATTACHMENT		1				
C30	453832-8	JOINT		1				
C40	453834-4	DUST NOZZLE A		1				
C50	453835-2	NOZZLE BAND A		1				
A06E	196022-7	DUST ATTACHMENT SET		1				
C10	443177-2	FELT RING 37		1				

Item	Parts No.	Description	I/C	QTY	N/O	Opt. 1	Opt. 2	NOTE
C20	453829-7	DUST ATTACHMENT		1				
C30	453832-8	JOINT		1				
C40	453834-4	DUST NOZZLE A		1				
C50	453835-2	NOZZLE BAND A		1				
A06F	196022-7	DUST ATTACHMENT SET		1				
C10	443177-2	FELT RING 37		1				
C20	453829-7	DUST ATTACHMENT		1				
C30	453832-8	JOINT		1				
C40	453834-4	DUST NOZZLE A		1				
C50	453835-2	NOZZLE BAND A		1				
A06G	837673-4	INNER TRAY		1				
A06H	837673-4	INNER TRAY		1				
A06I	196022-7	DUST ATTACHMENT SET		1				
C10	443177-2	FELT RING 37		1				
C20	453829-7	DUST ATTACHMENT		1				
C30	453832-8	JOINT		1				
C40	453834-4	DUST NOZZLE A		1				
C50	453835-2	NOZZLE BAND A		1				
A06J	196022-7	DUST ATTACHMENT SET		1				
C10	443177-2	FELT RING 37		1				
C20	453829-7	DUST ATTACHMENT		1				
C30	453832-8	JOINT		1				
C40	453834-4	DUST NOZZLE A		1				
C50	453835-2	NOZZLE BAND A		1				
A06K	837673-4	INNER TRAY		1				
A07C	196272-4	ADAPTER A SET		1				
A07D	196272-4	ADAPTER A SET		1				
A07E	196272-4	ADAPTER A SET		1				
A07F	196272-4	ADAPTER A SET		1				
A07G	800S51-5	TM3000CJ INDICATION LABEL		1				
A07H	800S51-5	TM3000CJ INDICATION LABEL		1				
A07I	196272-4	ADAPTER A SET		1				
A07J	196272-4	ADAPTER A SET		1				
A07K	805W77-6	TM3000CJ12 INDICATION LABEL		1				
A08C	B-21325	SEGMENT SAW BLADE 85 TMA006		1	*			
A08D	B-21325	SEGMENT SAW BLADE 85 TMA006		1	*			
A08E	B-21325	SEGMENT SAW BLADE 85 TMA006		1	*			
A08F	B-21325	SEGMENT SAW BLADE 85 TMA006		1	*			
A08G	800S52-3	TM3000CJ PLASTIC CASE LABEL		2				
A08H	800S52-3	TM3000CJ PLASTIC CASE LABEL		2				
A08I	B-21325	SEGMENT SAW BLADE 85 TMA006		1	*			
A08J	B-21325	SEGMENT SAW BLADE 85 TMA006		1	*			
A08K	805W78-4	TM3000CJ12 PLASTIC CASE LABEL		2				
A08-1C	B-21325	SEGMENT SAW BLADE 85 TMA006	O	1				
A08-1D	B-21325	SEGMENT SAW BLADE 85 TMA006	O	1				
A08-1E	B-21325	SEGMENT SAW BLADE 85 TMA006	O	1				
A08-1F	B-21325	SEGMENT SAW BLADE 85 TMA006	O	1				
A08-1I	B-21325	SEGMENT SAW BLADE 85 TMA006	O	1				

Model No. TM300C MULTI TOOL

Item	Parts No.	Description	I/C	QTY	N/O	Opt. 1	Opt. 2	NOTE
A08-1J	B-21325	SEGMENT SAW BLADE 85 TMA006	O	1				
A09C	B-21331	SEGMENT SAW BLADE 85 TMA007		1	*			
A09D	B-21331	SEGMENT SAW BLADE 85 TMA007		1	*			
A09E	B-21353	PLUNGE CUT SAW BLADE 28 TMA009		1	*			
A09F	B-21353	PLUNGE CUT SAW BLADE 28 TMA009		1	*			
A09I	B-21331	SEGMENT SAW BLADE 85 TMA007		1	*			
A09J	B-21331	SEGMENT SAW BLADE 85 TMA007		1	*			
A09K	196272-4	ADAPTER A SET		1				
A09-1C	B-21331	SEGMENT SAW BLADE 85 TMA007	O	1				
A09-1D	B-21331	SEGMENT SAW BLADE 85 TMA007	O	1				
A09-1E	B-21353	PLUNGE CUT SAW BLADE 28 TMA009	O	1				
A09-1F	B-21353	PLUNGE CUT SAW BLADE 28 TMA009	O	1				
A09-1I	B-21331	SEGMENT SAW BLADE 85 TMA007	O	1				
A09-1J	B-21331	SEGMENT SAW BLADE 85 TMA007	O	1				
A10C	B-21353	PLUNGE CUT SAW BLADE 28 TMA009		1	*			
A10D	B-21353	PLUNGE CUT SAW BLADE 28 TMA009		1	*			
A10E	B-21406	PLUNGE CUT SAW BLADE 10 TMA014		3	*			
A10F	B-21406	PLUNGE CUT SAW BLADE 10 TMA014		3	*			
A10I	B-21353	PLUNGE CUT SAW BLADE 28 TMA009		1	*			
A10J	B-21353	PLUNGE CUT SAW BLADE 28 TMA009		1	*			
A10K	A-95227	SEGMENT SAW BLADE 85 TMA007		1				
A10-1C	B-21353	PLUNGE CUT SAW BLADE 28 TMA009	O	1				
A10-1D	B-21353	PLUNGE CUT SAW BLADE 28 TMA009	O	1				
A10-1E	B-21406	PLUNGE CUT SAW BLADE 10 TMA014	O	3				
A10-1F	B-21406	PLUNGE CUT SAW BLADE 10 TMA014	O	3				
A10-1I	B-21353	PLUNGE CUT SAW BLADE 28 TMA009	O	1				
A10-1J	B-21353	PLUNGE CUT SAW BLADE 28 TMA009	O	1				
A11C	B-21369	PLUNGE CUT SAW BLADE 32 TMA010		1	*			
A11D	B-21369	PLUNGE CUT SAW BLADE 32 TMA010		1	*			
A11E	B-21624	ABRASIVEPAPER DELTA RED 60		1				
A11F	B-21624	ABRASIVEPAPER DELTA RED 60		1				
A11I	B-21369	PLUNGE CUT SAW BLADE 32 TMA010		1	*			
A11J	B-21369	PLUNGE CUT SAW BLADE 32 TMA010		1	*			
A11K	B-21353	PLUNGE CUT SAW BLADE 28 TMA009		1				
A11-1C	B-21369	PLUNGE CUT SAW BLADE 32 TMA010	O	1				
A11-1D	B-21369	PLUNGE CUT SAW BLADE 32 TMA010	O	1				
A11-1I	B-21369	PLUNGE CUT SAW BLADE 32 TMA010	O	1				
A11-1J	B-21369	PLUNGE CUT SAW BLADE 32 TMA010	O	1				
A12C	B-21381	PLUNGE CUT SAW BLADE 32 TMA012		1	*			
A12D	B-21381	PLUNGE CUT SAW BLADE 32 TMA012		1	*			
A12E	B-21630	ABRASIVEPAPER DELTA RED 80		1				
A12F	B-21630	ABRASIVEPAPER DELTA RED 80		1				
A12I	B-21381	PLUNGE CUT SAW BLADE 32 TMA012		1	*			
A12J	B-21381	PLUNGE CUT SAW BLADE 32 TMA012		1	*			
A12K	B-21624	ABRASIVEPAPER DELTA RED 60		1				
A12-1C	B-21381	PLUNGE CUT SAW BLADE 32 TMA012	O	1				
A12-1D	B-21381	PLUNGE CUT SAW BLADE 32 TMA012	O	1				
A12-1I	B-21381	PLUNGE CUT SAW BLADE 32 TMA012	O	1				

Model No. TM300C MULTI TOOL

Item	Parts No.	Description	I/C	QTY	N/O	Opt. 1	Opt. 2	NOTE
A12-1J	B-21381	PLUNGE CUT SAW BLADE 32 TMA012	O	1				
A13C	B-21428	PLUNGE CUT SAW BLADE 20 TMA016		1	*			
A13D	B-21428	PLUNGE CUT SAW BLADE 20 TMA016		1	*			
A13E	B-22947	ABRASIVEPAPER DELTA RED 100		1				
A13F	B-22947	ABRASIVEPAPER DELTA RED 100		1				
A13I	B-21428	PLUNGE CUT SAW BLADE 20 TMA016		1	*			
A13J	B-21428	PLUNGE CUT SAW BLADE 20 TMA016		1	*			
A13K	A-95548	ABRASIVE PAPER DELTA RED 180		1				
A13-1C	B-21428	PLUNGE CUT SAW BLADE 20 TMA016	O	1				
A13-1D	B-21428	PLUNGE CUT SAW BLADE 20 TMA016	O	1				
A13-1I	B-21428	PLUNGE CUT SAW BLADE 20 TMA016	O	1				
A13-1J	B-21428	PLUNGE CUT SAW BLADE 20 TMA016	O	1				
A14C	B-21434	PLUNGE CUT SAW BLADE 10 TMA017		1	*			
A14D	B-21434	PLUNGE CUT SAW BLADE 10 TMA017		1	*			
A14E	B-22953	ABRASIVEPAPER DELTA RED 150		1				
A14F	B-22953	ABRASIVEPAPER DELTA RED 150		1				
A14I	B-21434	PLUNGE CUT SAW BLADE 10 TMA017		1	*			
A14J	B-21434	PLUNGE CUT SAW BLADE 10 TMA017		1	*			
A14K	B-21668	ABRASIVEPAPER DELTA RED 240		1				
A14-1C	B-21434	PLUNGE CUT SAW BLADE 10 TMA017	O	1				
A14-1D	B-21434	PLUNGE CUT SAW BLADE 10 TMA017	O	1				
A14-1I	B-21434	PLUNGE CUT SAW BLADE 10 TMA017	O	1				
A14-1J	B-21434	PLUNGE CUT SAW BLADE 10 TMA017	O	1				
A15C	B-21456	SCRAPER 52 FLEXIBLE TMA019		1	*			
A15D	B-21456	SCRAPER 52 FLEXIBLE TMA019		1	*			
A15E	B-21668	ABRASIVEPAPER DELTA RED 240		1				
A15F	B-21668	ABRASIVEPAPER DELTA RED 240		1				
A15I	B-21456	SCRAPER 52 FLEXIBLE TMA019		1	*			
A15J	B-21456	SCRAPER 52 FLEXIBLE TMA019		1	*			
A15K	B-21630	ABRASIVEPAPER DELTA RED 80		1				
A15-1C	B-21456	SCRAPER 52 FLEXIBLE TMA019	O	1				
A15-1D	B-21456	SCRAPER 52 FLEXIBLE TMA019	O	1				
A15-1I	B-21456	SCRAPER 52 FLEXIBLE TMA019	O	1				
A15-1J	B-21456	SCRAPER 52 FLEXIBLE TMA019	O	1				
A16C	B-21490	HM SEG SAW BLADE 85 TMA023		1	*			
A16D	B-21490	HM SEG SAW BLADE 85 TMA023		1	*			
A16E	B-21537	SANDING PAD		1				
A16F	B-21537	SANDING PAD		1				
A16I	B-21490	HM SEG SAW BLADE 85 TMA023		1	*			
A16J	B-21490	HM SEG SAW BLADE 85 TMA023		1	*			
A16K	A-95532	ABRASIVE PAPER DELTA RED 120		1				
A16-1C	B-21490	HM SEG SAW BLADE 85 TMA023	O	1				
A16-1D	B-21490	HM SEG SAW BLADE 85 TMA023	O	1				
A16-1I	B-21490	HM SEG SAW BLADE 85 TMA023	O	1				
A16-1J	B-21490	HM SEG SAW BLADE 85 TMA023	O	1				
A17C	B-21509	HM SEG SAW BLADE 65 TMA024		1	*			
A17D	B-21509	HM SEG SAW BLADE 65 TMA024		1	*			
A17E	821538-0	TOOL BOX		1				

Item	Parts No.	Description	I/C	QTY	N/O	Opt. 1	Opt. 2	NOTE
A17F	821538-0	TOOL BOX		1				
A17I	B-21509	HM SEG SAW BLADE 65 TMA024		1	*			
A17J	B-21509	HM SEG SAW BLADE 65 TMA024		1	*			
A17K	B-21537	SANDING PAD		1				
A17-1C	B-21509	HM SEG SAW BLADE 65 TMA024	O	1				
A17-1D	B-21509	HM SEG SAW BLADE 65 TMA024	O	1				
A17-1I	B-21509	HM SEG SAW BLADE 65 TMA024	O	1				
A17-1J	B-21509	HM SEG SAW BLADE 65 TMA024	O	1				
A18C	B-21624	ABRASIVEPAPER DELTA RED 60		1				
A18D	B-21624	ABRASIVEPAPER DELTA RED 60		1				
A18I	B-21624	ABRASIVEPAPER DELTA RED 60		1				
A18J	B-21624	ABRASIVEPAPER DELTA RED 60		1				
A19C	B-21630	ABRASIVEPAPER DELTA RED 80		1				
A19D	B-21630	ABRASIVEPAPER DELTA RED 80		1				
A19I	B-21630	ABRASIVEPAPER DELTA RED 80		1				
A19J	B-21630	ABRASIVEPAPER DELTA RED 80		1				
A20C	B-22947	ABRASIVEPAPER DELTA RED 100		1				
A20D	B-22947	ABRASIVEPAPER DELTA RED 100		1				
A20I	B-22947	ABRASIVEPAPER DELTA RED 100		1				
A20J	B-22947	ABRASIVEPAPER DELTA RED 100		1				
A21C	B-22953	ABRASIVEPAPER DELTA RED 150		1				
A21D	B-22953	ABRASIVEPAPER DELTA RED 150		1				
A21I	B-22953	ABRASIVEPAPER DELTA RED 150		1				
A21J	B-22953	ABRASIVEPAPER DELTA RED 150		1				
A22C	B-21668	ABRASIVEPAPER DELTA RED 240		1				
A22D	B-21668	ABRASIVEPAPER DELTA RED 240		1				
A22I	B-21668	ABRASIVEPAPER DELTA RED 240		1				
A22J	B-21668	ABRASIVEPAPER DELTA RED 240		1				
A23C	B-21537	SANDING PAD		1				
A23D	B-21537	SANDING PAD		1				
A23I	B-21537	SANDING PAD		1				
A23J	B-21537	SANDING PAD		1				
A24C	821538-0	TOOL BOX		1				
A24D	821538-0	TOOL BOX		1				
A24I	821538-0	TOOL BOX		1				
A24J	821538-0	TOOL BOX		1				
A25I	800S57-3	TM3000CX3J INDICATION LABEL		1				
A25J	800S57-3	TM3000CX3J INDICATION LABEL		1				
A26I	800S58-1	TM3000CX3J PLASTIC CASE LABEL		2				
A26J	800S58-1	TM3000CX3J PLASTIC CASE LABEL		2				
E01A	655030-2	PLUG UK TYPE 16A-4H/110V		1				
E01D	655030-2	PLUG UK TYPE 16A-4H/110V		1				
E01F	655030-2	PLUG UK TYPE 16A-4H/110V		1				
E01H	655030-2	PLUG UK TYPE 16A-4H/110V		1				
E01J	655030-2	PLUG UK TYPE 16A-4H/110V		1				
E02A	654091-9	NON-INSULATED TERMINAL1.25-2AF		2		100		
E02D	654091-9	NON-INSULATED TERMINAL1.25-2AF		2		100		
E02F	654091-9	NON-INSULATED TERMINAL1.25-2AF		2		100		

Model No. TM3000C MULTI TOOL

Item	Parts No.	Description	I/C	QTY	N/O	Opt. 1	Opt. 2	NOTE
E02H	654091-9	NON-INSULATED TERMINAL1.25-2AF		2		100		
E02J	654091-9	NON-INSULATED TERMINAL1.25-2AF		2		100		