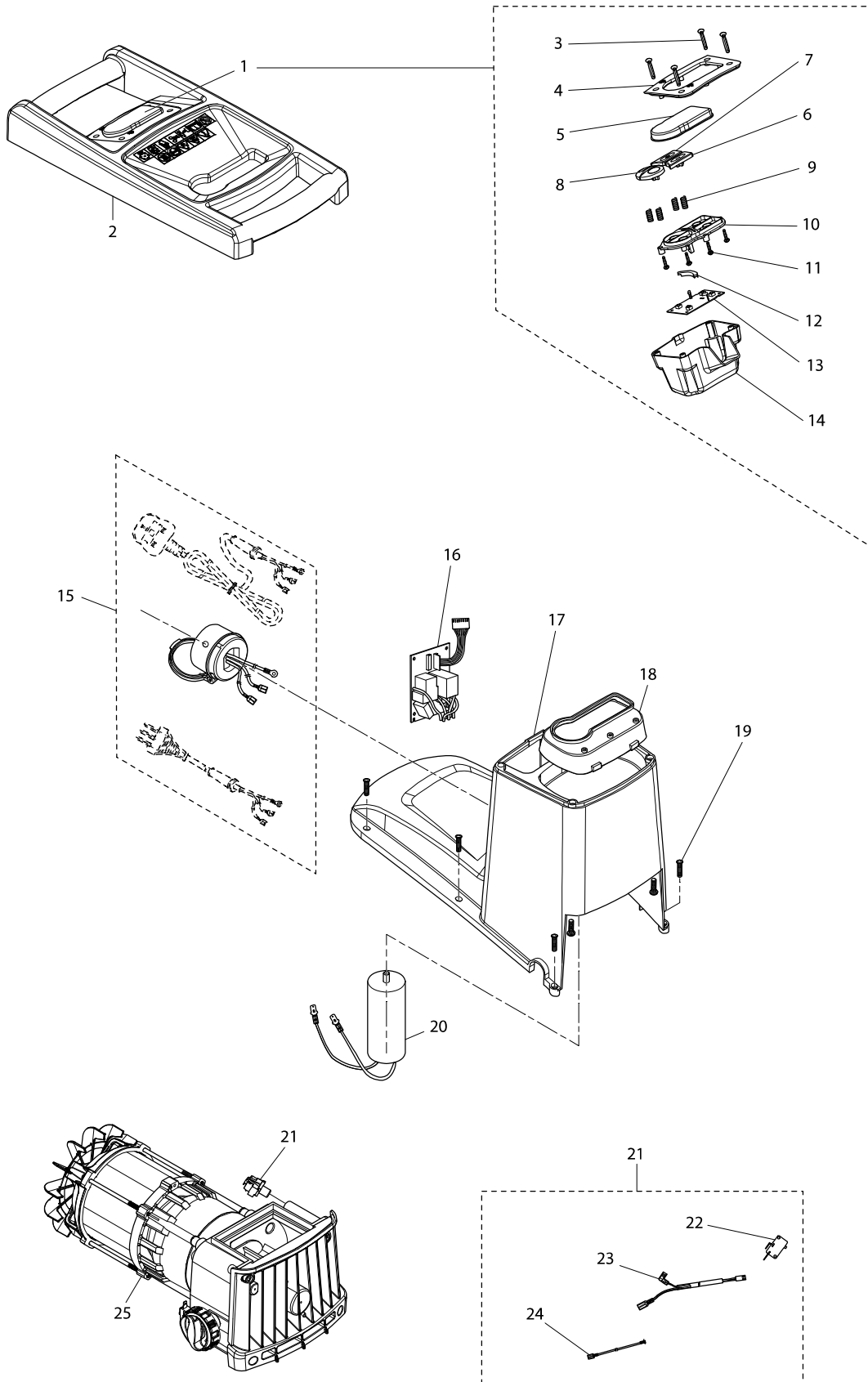
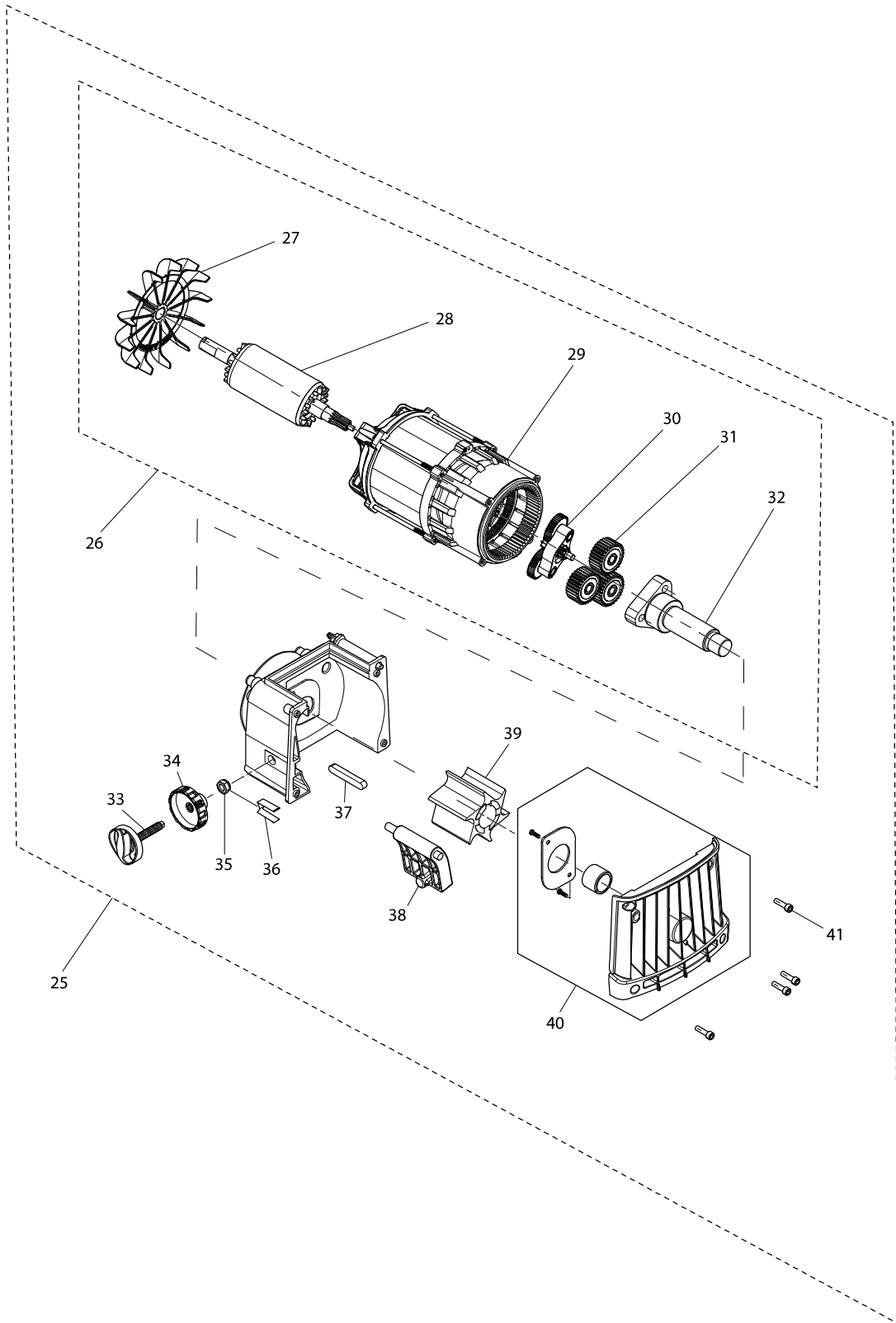


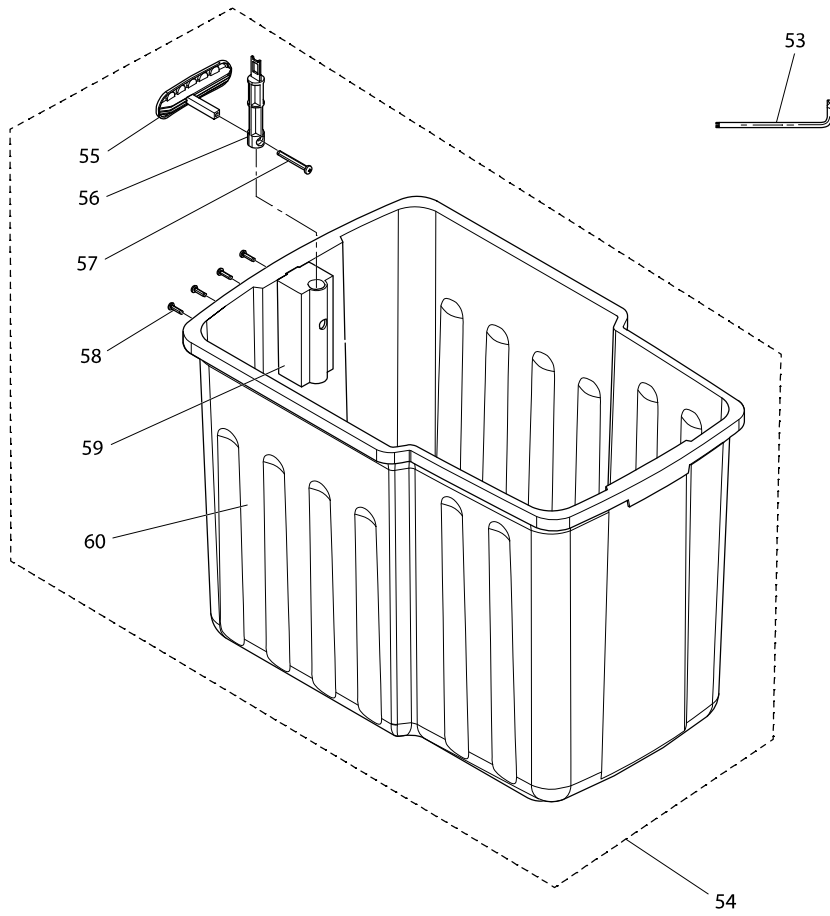
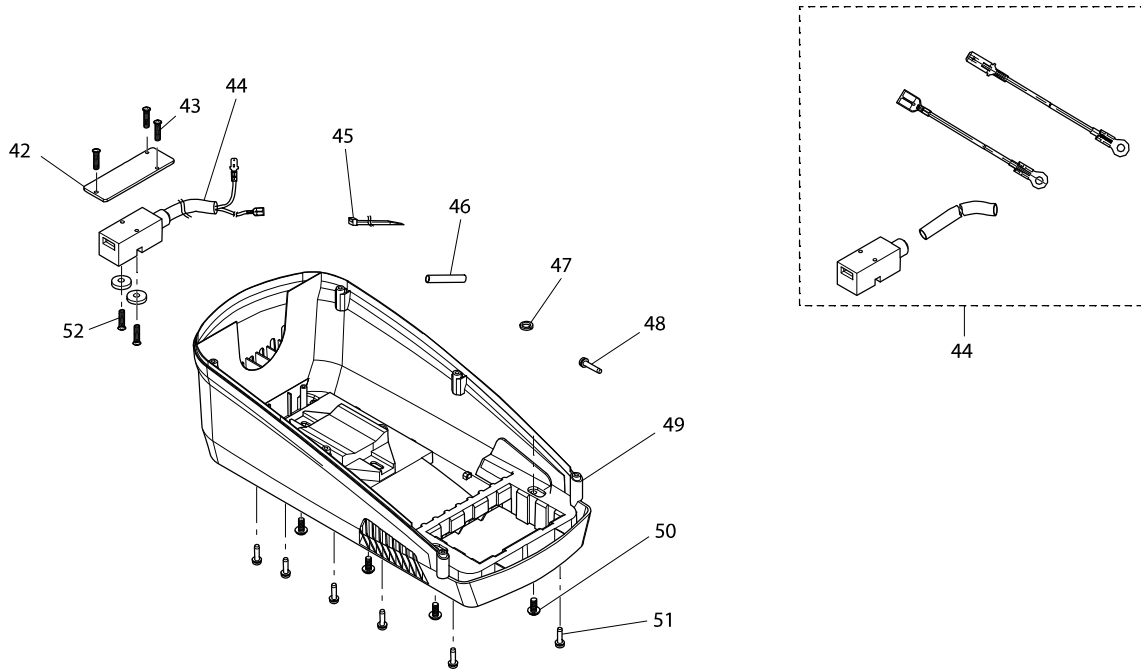
# Model No. UD2500 ELECTRIC SHREDDER



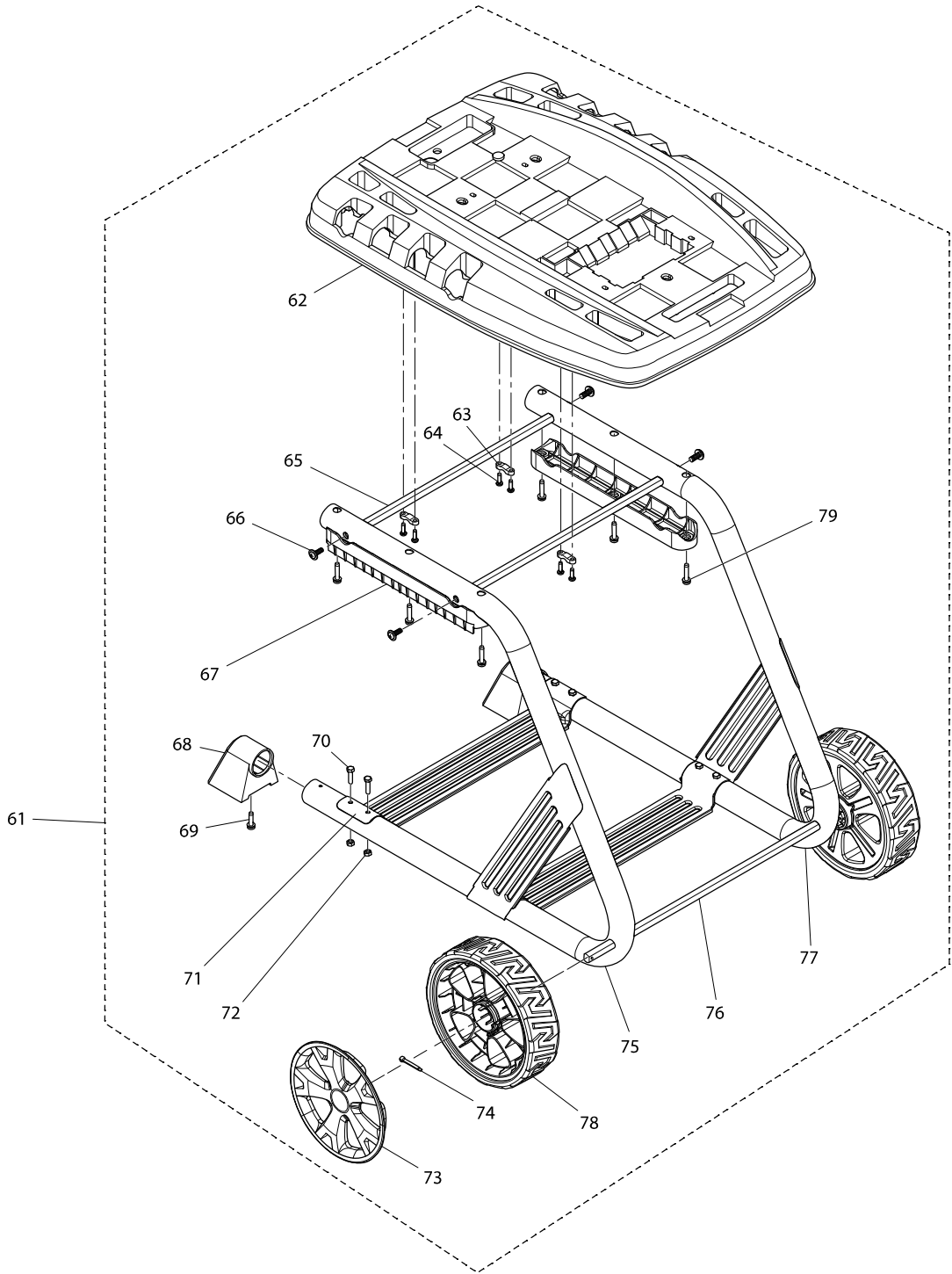
# Model No. UD2500 ELECTRIC SHREDDER



# Model No. UD2500 ELECTRIC SHREDDER



Model No. UD2500 ELECTRIC SHREDDER



# Model No. UD2500 ELECTRIC SHREDDER

Item	Parts No.	Description	I/C	QTY	N/O	Opt. 1	Opt. 2	NOTE
001	652023652	SWITCH BOX ASS'Y		1				
002	652024820	HANDLE		1				
003	652023653	TORX HEAD SCREW		4				
004	652023654	SWITCH BOX UPPER COVER		1				
005	652023655	WATER PROOF COVER		1				
006	652023656	START BUTTON		1				
007	652023657	STOP BOTTON		1				
008	652023658	BUTTON		2				
009	652023659	SPRING		4				
010	652023660	PRESSBOARD		1	*			
010-1	YA00000724	PRESSBOARD	O	1				
011	652023661	FLANGE TAPPING SCREW		4				
012	652023662	LIGHT GUIDE COVER		1				
013	652023663	PCB BOARD		1				
014	652023664	SWITCH BOX LOWER COVER		1				
015	652023666	PLUG COVER ASS'Y		1				
016	652023676	CONTROL PCB		1				
017	652025247	UPPER HOUSING (MAKITA)		1				
018	652023679	HOPPER		1				
019	652023680	TAPPING SCREW		12				
020	652024821	CAPACITOR		1				
021	652024824	SAFTY SWITCH ASS'Y		1				
022	652024825	MICRO SWITCH		2				
023	652024826	2 CORE CONNECTION LINE		4				
024	652024827	CONNECTION LINE		1				
025	652023682	MOTOR ASS'Y		1				
026	652023732	TRANSMISSION PART		1				
027	YA00000696	FAN		1				
028	YA00000699	ARMATURE ASS'Y		1				
029	YA00000700	INTERNAL GEAR ASS'Y		1				
030	YA00000702	GEAR COMPLETE		1				
031	YA00000701	SECONDARY GEAR		1				
032	YA00000698	SPNDLE ASS'Y		1				
033	652023702	ADJUSTING KNOB		1				
034	652023700	LOCK KNOB		1				
035	652023699	SELF-LOCKING NUT		1				
036	652023704	PRESS BOARD		1	*			
036-1	YA00000706	FIXED SPRING SHEET	<	1				
037	652023697	KEY		1				
038	652023709	FEEDING BAFFLE PLATE		1				
039	652023710	CYLINDER		1				
040	652024822	FRONT COVER ASS'Y		1				
041	652024823	SOCKET HEAD SCREW		4				
042	652023717	SWITCH PRESSBOARD		1				
043	652024828	PAN HEAD FLANGE SCREW		3				
044	652023719	SWITCH ASS'Y		1				
045	652023726	NYLON TIE		6				
046	652024829	HEAD SHRINKABLE TUBE		1				

**Model No. UD2500 ELECTRIC SHREDDER**

Item	Parts No.	Description	I/C	QTY	N/O	Opt. 1	Opt. 2	NOTE
047	652023728	INTERNAL TEETH LOCK WASHER		1				
048	652023729	TAPPING SCREW		1				
049	652023730	LOWER HOUSTING		1				
050	652023731	MACHINE SCREW		4				
051	652023747	TAPPING SCREW		6				
052	652023680	TAPPING SCREW		2				
053	652024836	SPANNER		1				
054	652025248	COLLECTION BOX ASS'Y (MAKITA)		1				
055	652025249	PUSH BUTTON (MAKITA)		1				
056	652023759	PUSH ROD		1				
057	652024835	TAPPING SCREW		1				
058	652024828	PAN HEAD FLANGE SCREW		4				
059	652023757	PUSH BUTTON BASE		1				
060	YA00000685	COLLECTION BOX (MAKITA)		1				
061	652023736	FRAME ASS'Y		1				
062	652023753	BOX COVER		1				
063	652023752	CABLE PRESSBOARD		3				
064	652024828	PAN HEAD FLANGE SCREW		6				
065	652023751	SUPPORTING AXLE		2				
066	652024833	BOLT		4				
067	652023749	FRAME FIX PLATE		2				
068	652023748	SUPPORTING FOOT		2				
069	652024832	TAPPING SCREW		2				
070	652024831	BOLT		8				
071	652023745	BASE PLATE		2				
072	652023744	SELF-LOCKING NUT		8				
073	652023905	WHEEL CAP		2				
074	652023742	PIN		1				
075	652023741	RIGHT FRAME TUBE		1				
076	652023740	WHEEL AXLE		1				
077	652023739	LEFT FRAME TUBE		1				
078	652023737	WHEEL		2				
079	652023747	TAPPING SCREW		6				
080	652023661	FLANGE TAPPING SCREW		4				