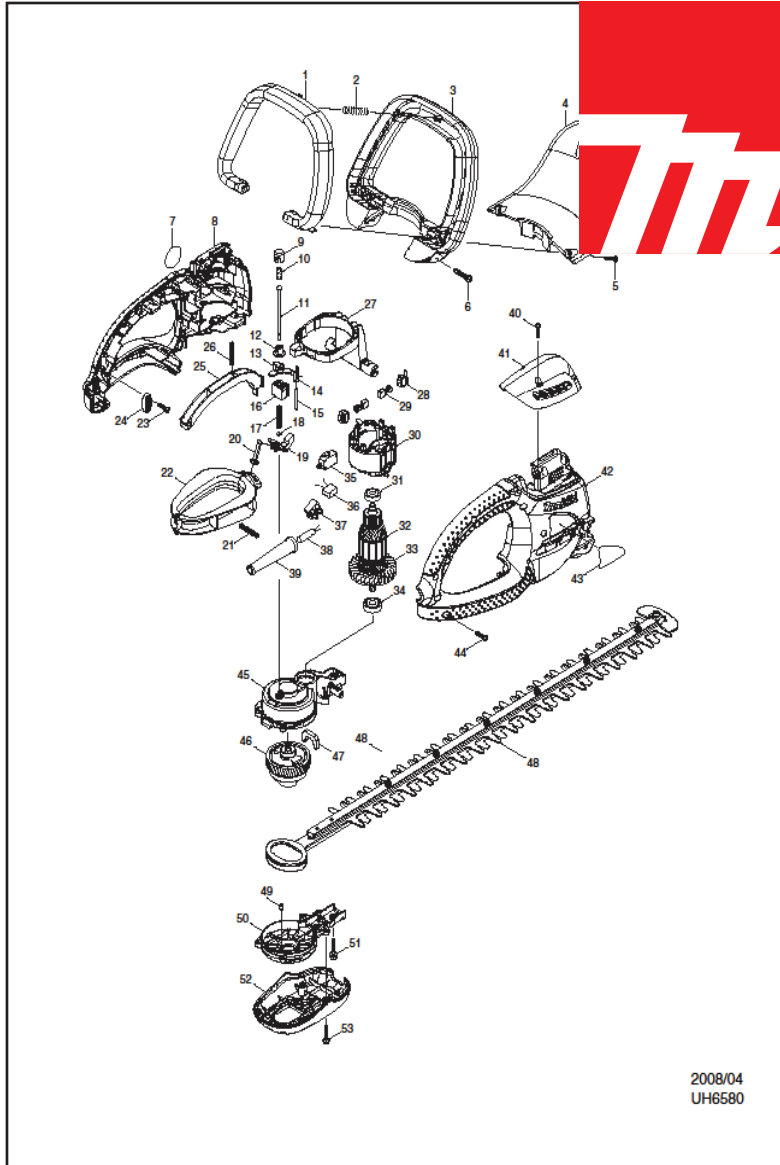


UH6580



2008/04
UH6580

REF.	CODE	DESCRIPTION	UNIT	LIST	REF.	CODE	DESCRIPTION	UNIT
1	450444-8	SWITCH LEVER B	PC					
2	233157-4	COMPRESSION SPRING 9		PC				
3	450442-2	FRONT GRIP	PC					
4	158629-7	PROTECTOR COMPL	PC					
5	265995-6	TAPPING SCREW 4X18	PC					
6	911253-5	PAN HEAD SCREW M5X30	PC					
8	188569-5	HOUSING SET	SET					
D10		INC. 42						
9	417740-7	INSULATION CAP	PC					
10	233288-9	COMPRESSION SPRNG 8		PC				
11	268077-3	PIN 5	PC					
12	417727-9	CAP HOLDER	PC					
13	417736-8	LIFTER	PC					
14	417735-9	PUSHER CAP	PC					
				PC				
				PC				
				PC				
				PC				
				PC				
				PC				
				PC				
				PC				
26	233156-6	COMPRESSION SPRING 5		PC				
27	417738-4	LEVER	PC					
28	643936-6	BRUSH HOLDER	PC					
29	191962-4	CARBON BRUSH CB-419	PC					
30	634578-7	FIELD 220-240V	PC					
31	211032-4	BALL BEARING 608ZZ	PC					
32	516499-4	ARMATURE ASSY 220-240V	PC					
D10		INC. 313334						
33	241858-0	FAN 70	PC					
34	211062-5	BALL BEARING 6000ZZ	PC					
35	650522-6	SWITCH	PC					
36	645185-1	NOISE SUPPRESSOR	PC					
37	654531-7	TERMINAL BLOCK 2PPC	PC					
38	668602-4	POWER SUPPLY CORD	PC					
39	682503-2	CORD GUARD 8-90	PC					
40	265995-6	TAPPING SCREW 4X18	PC					
41	450445-6	TOP COVER	PC					
42	188569-5	HOUSING SET	SET					
D10		INC. 8						
43	865786-1	NAME PLATE	PC					
44	265995-6	TAPPING SCREW 4X18	PC					
45	318157-2	GEAR HOUSING	PC					
46	135217-7	GEAR ASSEMBLY	PC					
47	443142-1	DUST GUARD	PC					
48	194673-0	SHEAR BLADE ASSY SET	SET					
C10	252184-2	HEX LOCK NUT M5-8	PC					
C20	257717-8	SLEEVE 5	PC					
C30	265181-9	TRUSS HEAD SCREW M5X25	PC					
C40	345205-8	BRUNCH CATCHER	PC					
C50	911208-0	PAN HEAD SCREW M5X10	PC					
C60	188605-7	OIL VESSEL SET	PC					
49	263002-9	RUBBER PIN 4	PC					
50	318265-3	GEAR HOUSING COVER	PC					
51	265182-7	PAN HEAD SCREW M5X25	PC					
52	450440-6	UNDER COVER	PC					
53	911148-2	PAN HEAD SCREW M4X25	PC					
A01	194677-2	CORD HOLDER COMPL	PC					
A02	158024-1	HOOK COMPLETE	PC					
A03	450490-1	BLADE COVER	PC					
A04	668601-6	EXTENSION CORD	PC					